



US00D513718S

(12) **United States Design Patent**  
**Itaya et al.**

(10) **Patent No.: US D513,718 S**  
(45) **Date of Patent: \*\* Jan. 24, 2006**

(54) **FOUR WHEELED VEHICLE**

(75) Inventors: **Asao Itaya**, Gardena, CA (US);  
**Damien B. Basset**, Los Angeles, CA  
(US); **Hideaki Yamazumi**, Rolling Hills  
Estate, CA (US); **Udo Karl Heinz**  
**Kolter**, Redondo Beach, CA (US);  
**Munehiro Sugimoto**, Torrance, CA  
(US); **Anthony Peter Mascadri**,  
Mechanicsburg, OH (US)

(73) Assignee: **Honda Motor Company, Ltd.**, Tokyo  
(JP)

(\*\*) Term: **14 Years**

(21) Appl. No.: **29/209,109**

(22) Filed: **Jul. 9, 2004**

(51) **LOC (8) Cl.** ..... **12-11**

(52) **U.S. Cl.** ..... **D12/107**

(58) **Field of Classification Search** ..... D12/3,  
D12/86, 87, 107, 110; 180/225, 229, 233,  
180/311, 312, 315

See application file for complete search history.

(56) **References Cited**

**U.S. PATENT DOCUMENTS**

D427,110 S \* 6/2000 Saito et al. .... D12/107  
D428,363 S \* 7/2000 Sugimoto et al. .... D12/107

**FOREIGN PATENT DOCUMENTS**

JP 1179663 5/2003

\* cited by examiner

*Primary Examiner*—Alan P. Douglas  
*Assistant Examiner*—Linda Brooks

(74) *Attorney, Agent, or Firm*—Dinsmore & Shohl LLP

(57) **CLAIM**

The ornamental design for a four wheeled vehicle, as shown and described.

**DESCRIPTION**

FIG. 1 is a left front perspective view of the four wheeled vehicle;

FIG. 2 is a left rear perspective view of the four wheeled vehicle of FIG. 1;

FIG. 3 is a left side perspective view of the four wheeled vehicle of FIG. 1;

FIG. 4 is a right side perspective view of the four wheeled vehicle of FIG. 1;

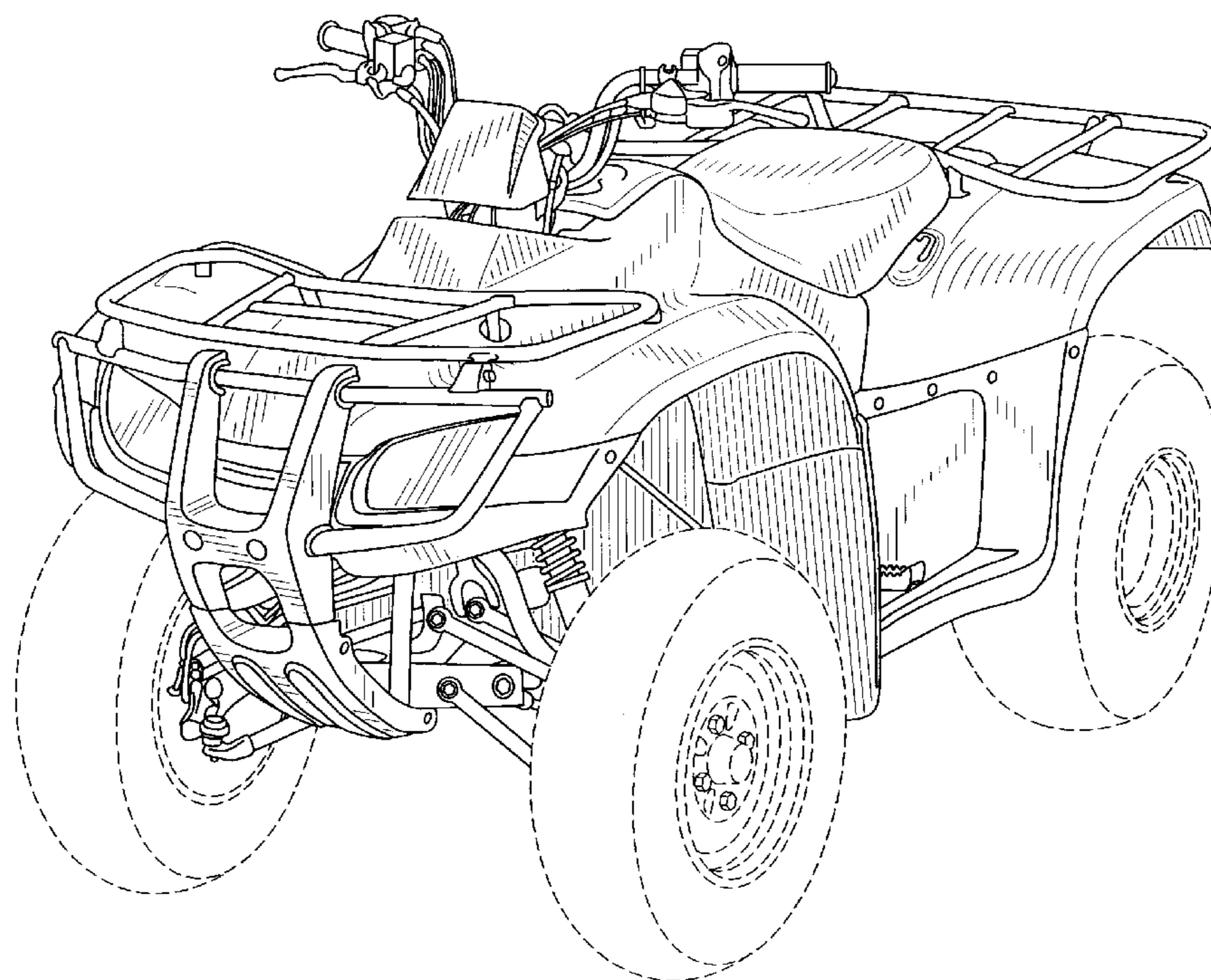
FIG. 5 is a front perspective view of the four wheeled vehicle of FIG. 1;

FIG. 6 is a rear perspective view of the four wheeled vehicle of FIG. 1; and,

FIG. 7 is a top perspective view of the four wheeled vehicle of FIG. 1.

The phantom lines and areas shown in the figures are for illustrative purposes only and form no part of the claimed design.

**1 Claim, 7 Drawing Sheets**



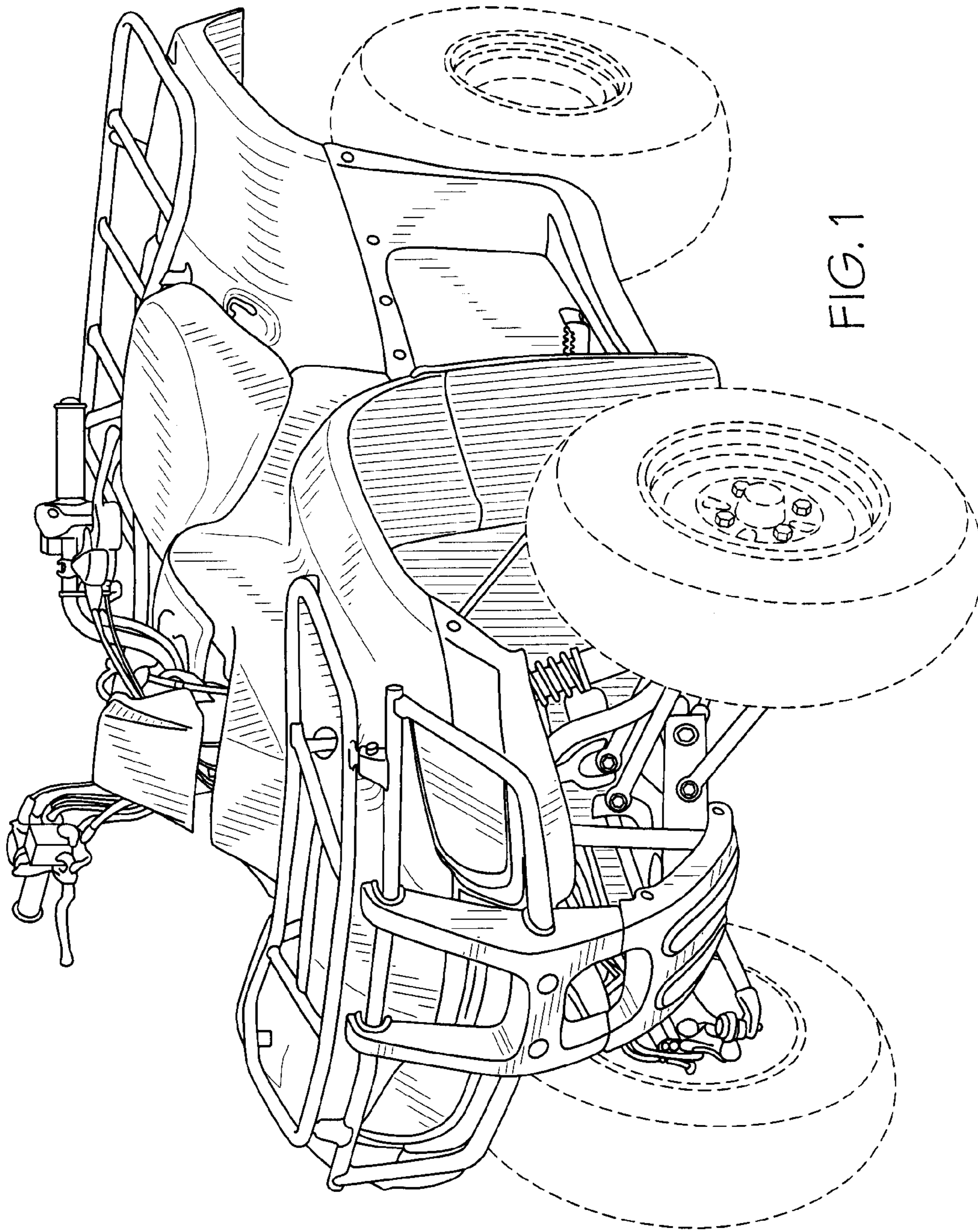


FIG. 1



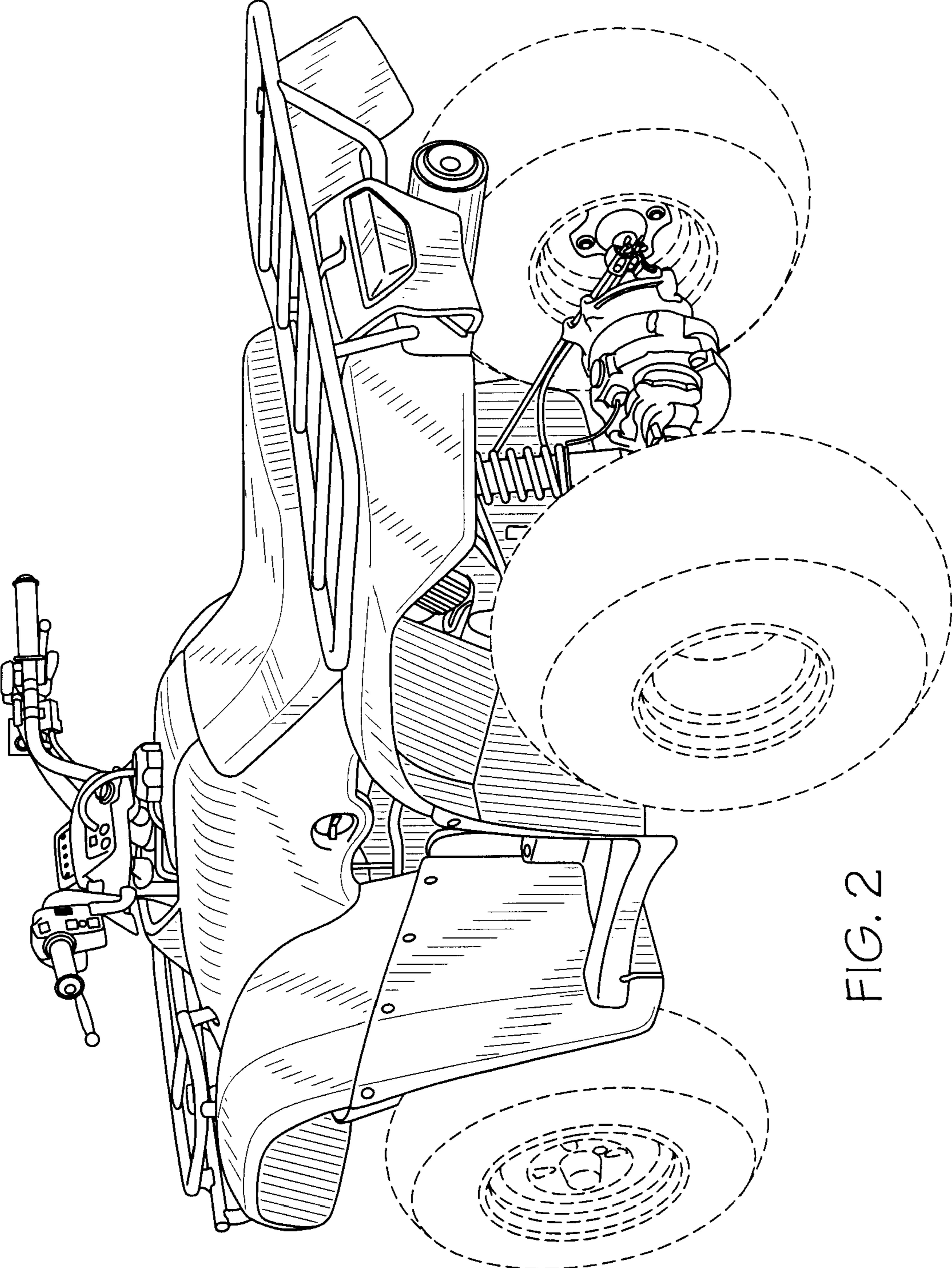


FIG. 2

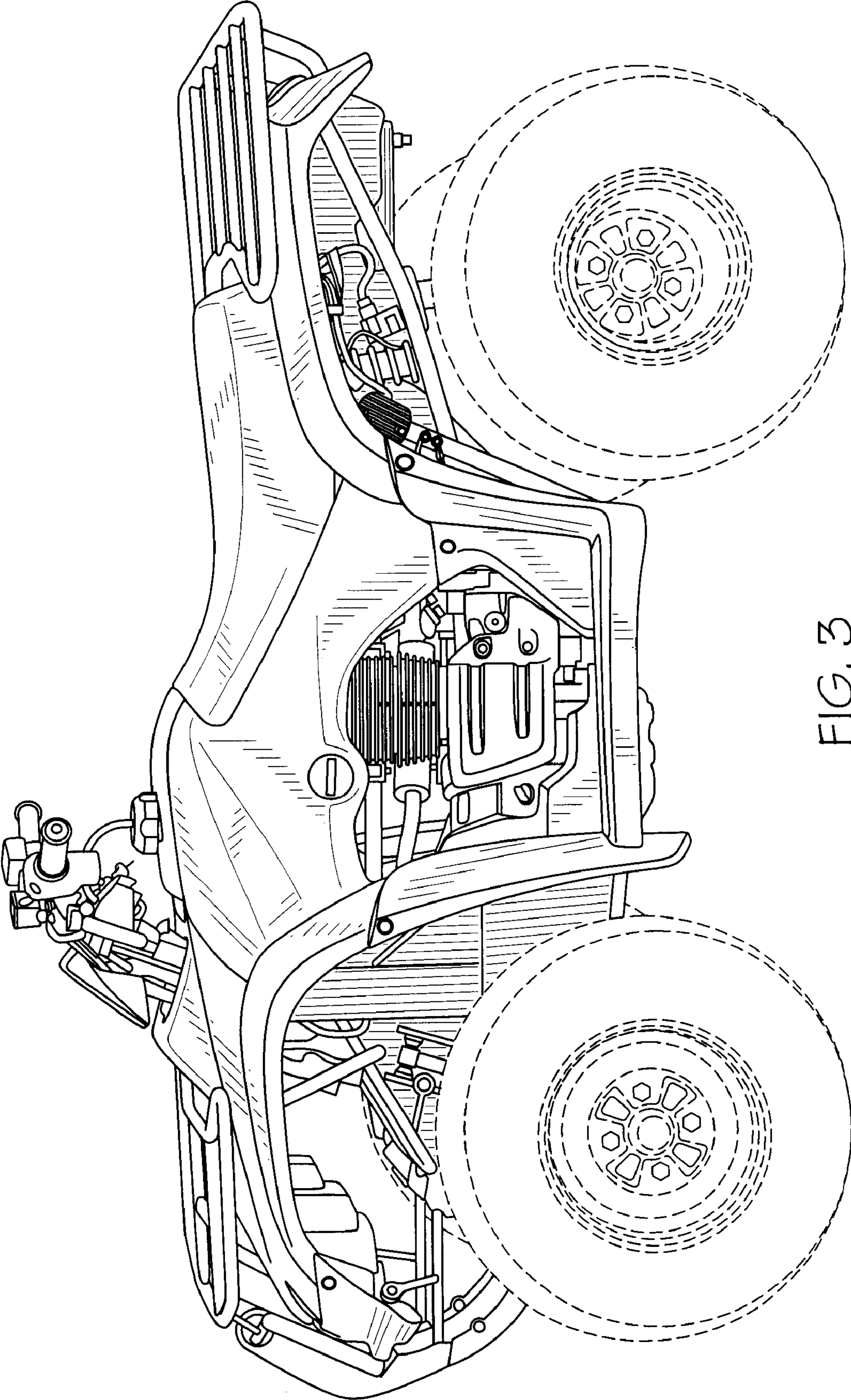


FIG. 3

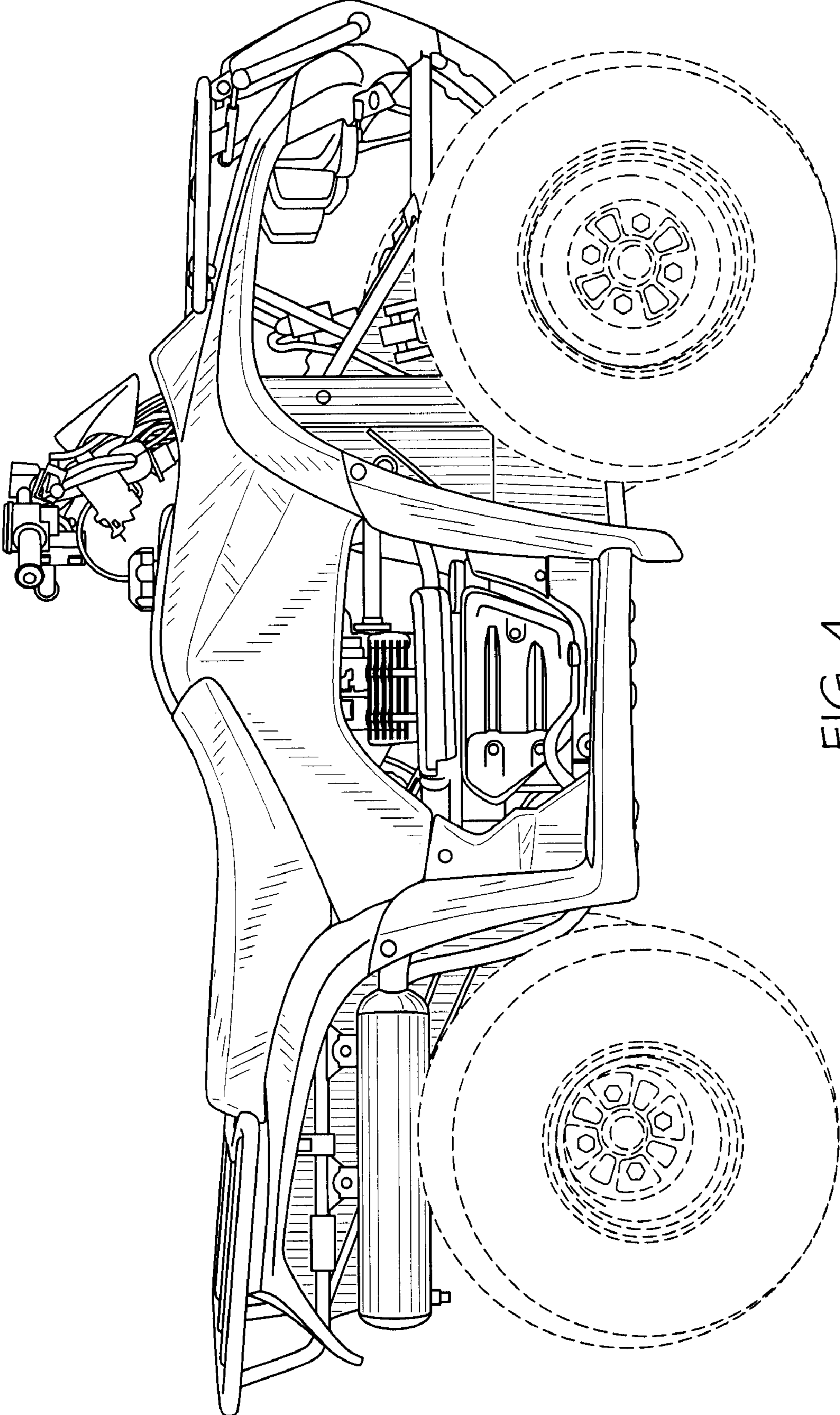


FIG. 4



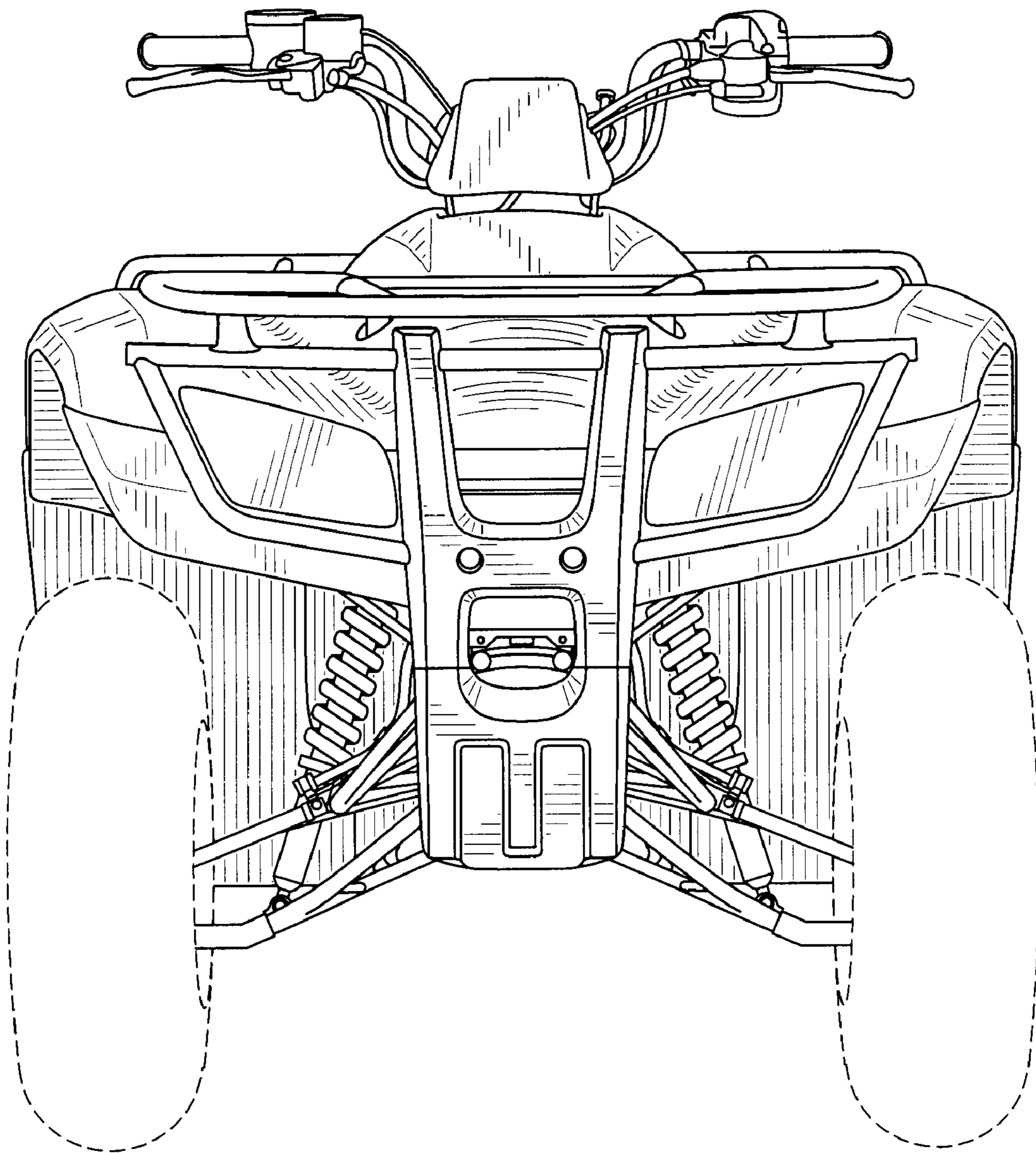


FIG. 5

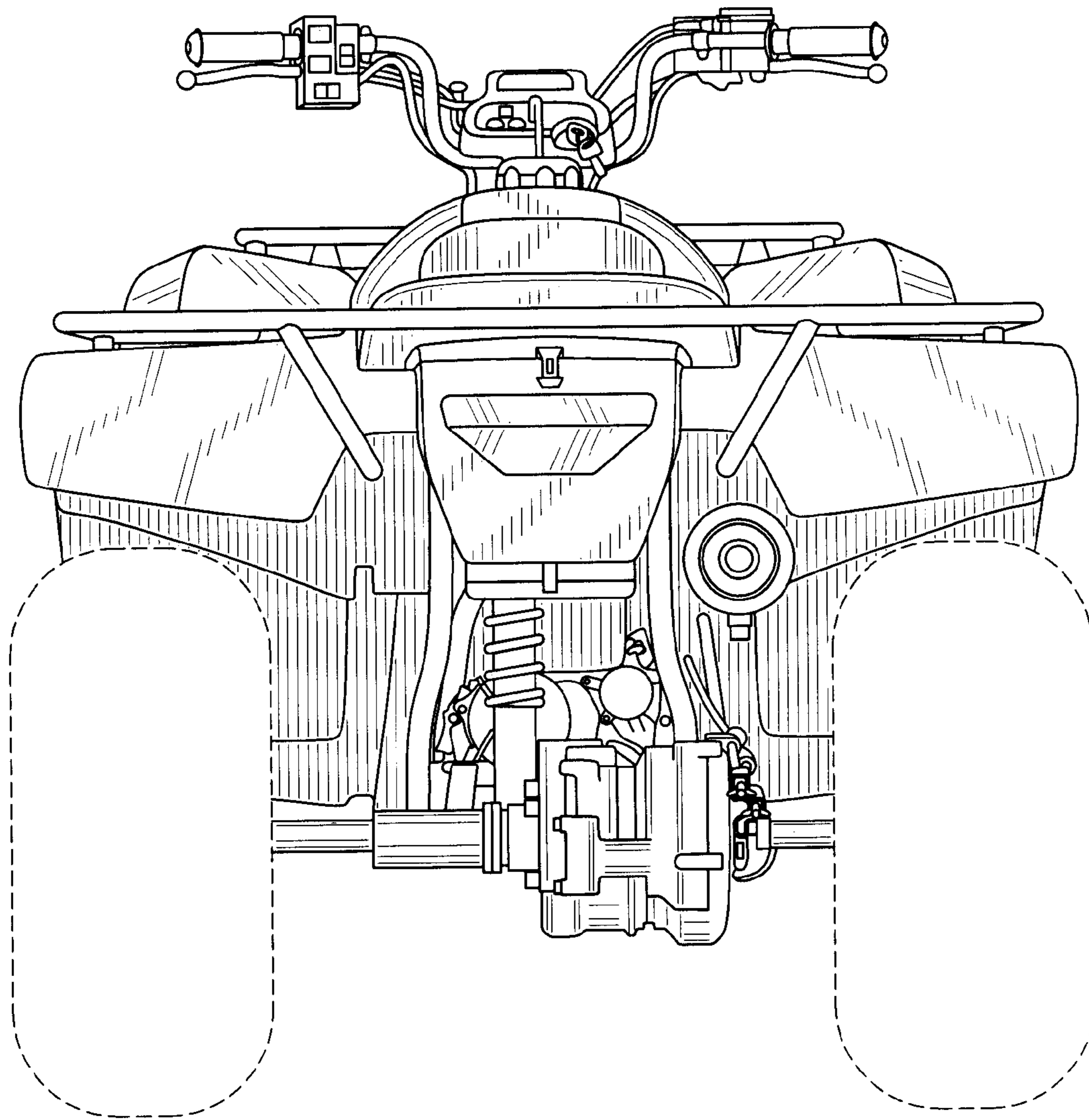


FIG. 6

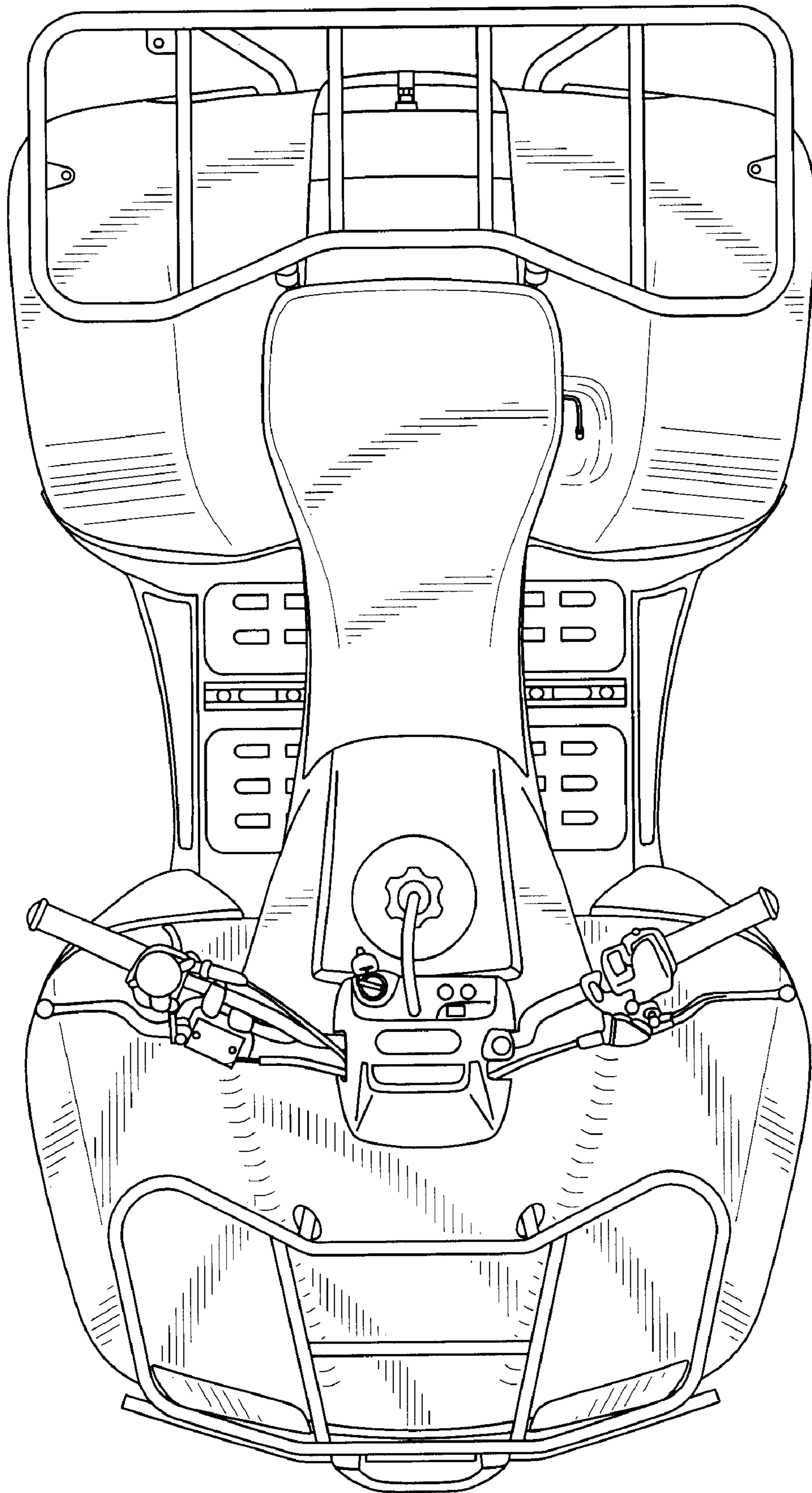


FIG. 7