

US00D513716S

(12) **United States Design Patent**
Acampora

(10) **Patent No.:** **US D513,716 S**
(45) **Date of Patent:** **** Jan. 24, 2006**

(54) **CAR EXTERIOR**

(76) **Inventor:** **Gioacchino Acampora**, Via G. Da
Verrazzano, 22, 20123 Milan (IT)
(**) **Term:** **14 Years**

(21) **Appl. No.:** **29/201,131**

(22) **Filed:** **Mar. 11, 2004**

(30) **Foreign Application Priority Data**

Sep. 11, 2003 (EM) 74547

(51) **LOC (8) Cl.** **12-08**

(52) **U.S. Cl.** **D12/91**

(58) **Field of Classification Search** D12/90-92,
D12/86; D21/424, 433, 548; 296/185
See application file for complete search history.

(56) **References Cited**

U.S. PATENT DOCUMENTS

D396,432 S * 7/1998 Syring D12/91
D409,262 S * 5/1999 Stephenson D21/548
D478,533 S * 8/2003 Nicholas et al. D12/91
D490,019 S * 5/2004 Sakae D12/91

OTHER PUBLICATIONS

Car & Driver (Japanese Publication) dated on or about Aug.
2003, toy car pictured at p. 133.

Car & Driver (Japanese Publication) dated on or about Mar.
2002, car pictured at p. 145.

* cited by examiner

Primary Examiner—Melody N. Brown

(74) *Attorney, Agent, or Firm*—Banner & Witcoff, Ltd.

(57) **CLAIM**

The ornamental design for a car exterior, as shown and
described.

DESCRIPTION

FIG. 1 is a right side elevational view of a car exterior
showing my new design;

FIG. 2 is a left side elevational view thereof;

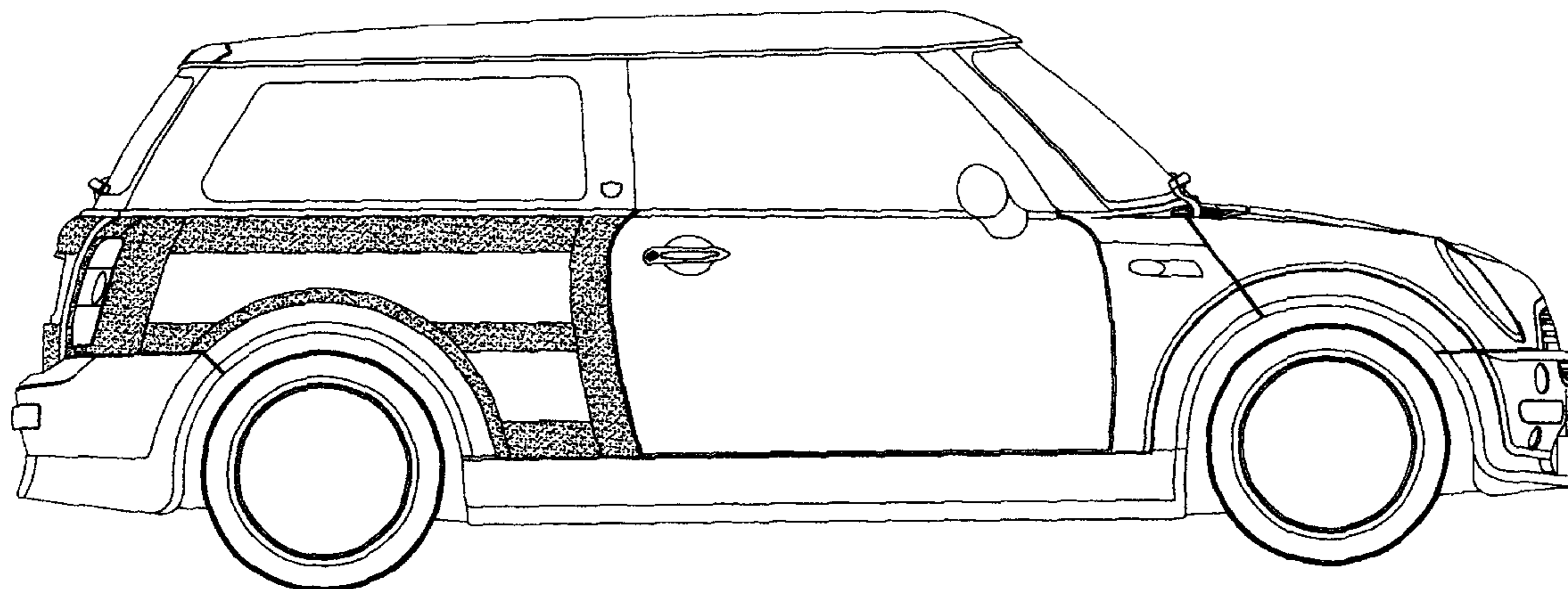
FIG. 3 is a top plan view thereof;

FIG. 4 is a front view thereof; and,

FIG. 5 is a rear view thereof.

The unshown bottom of the car exterior forms no part of the
claimed design.

1 Claim, 5 Drawing Sheets



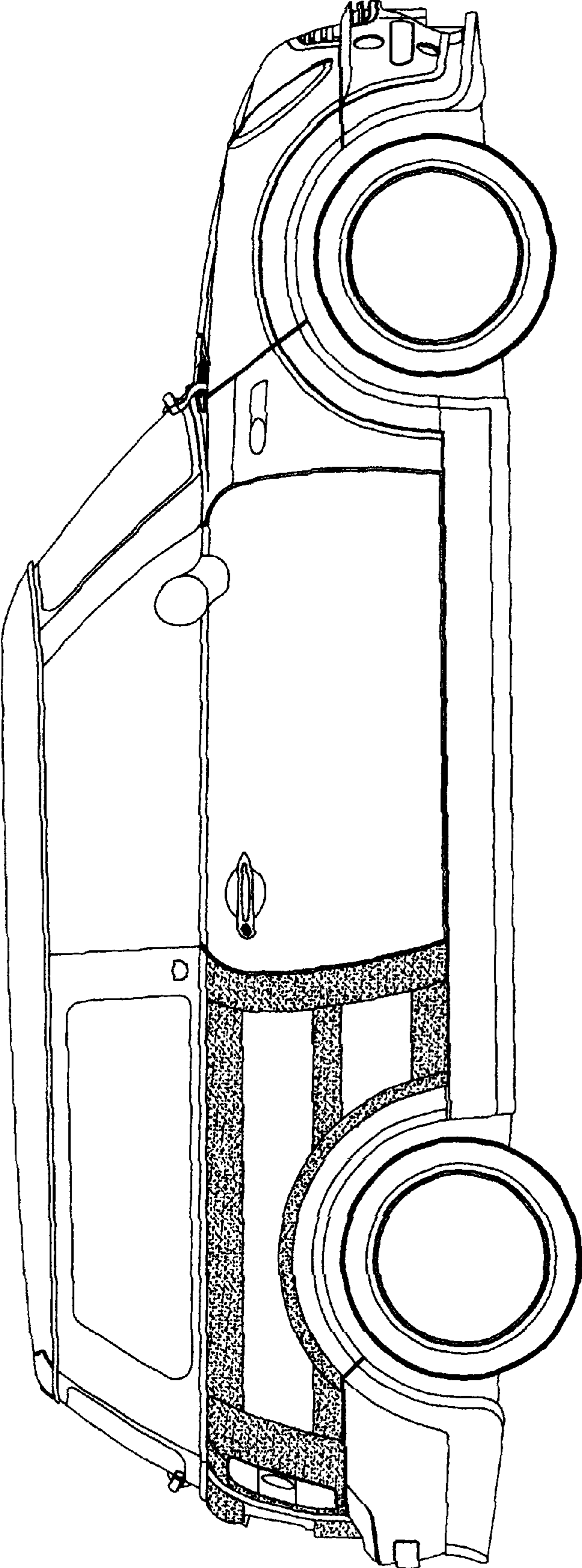


FIG. 1

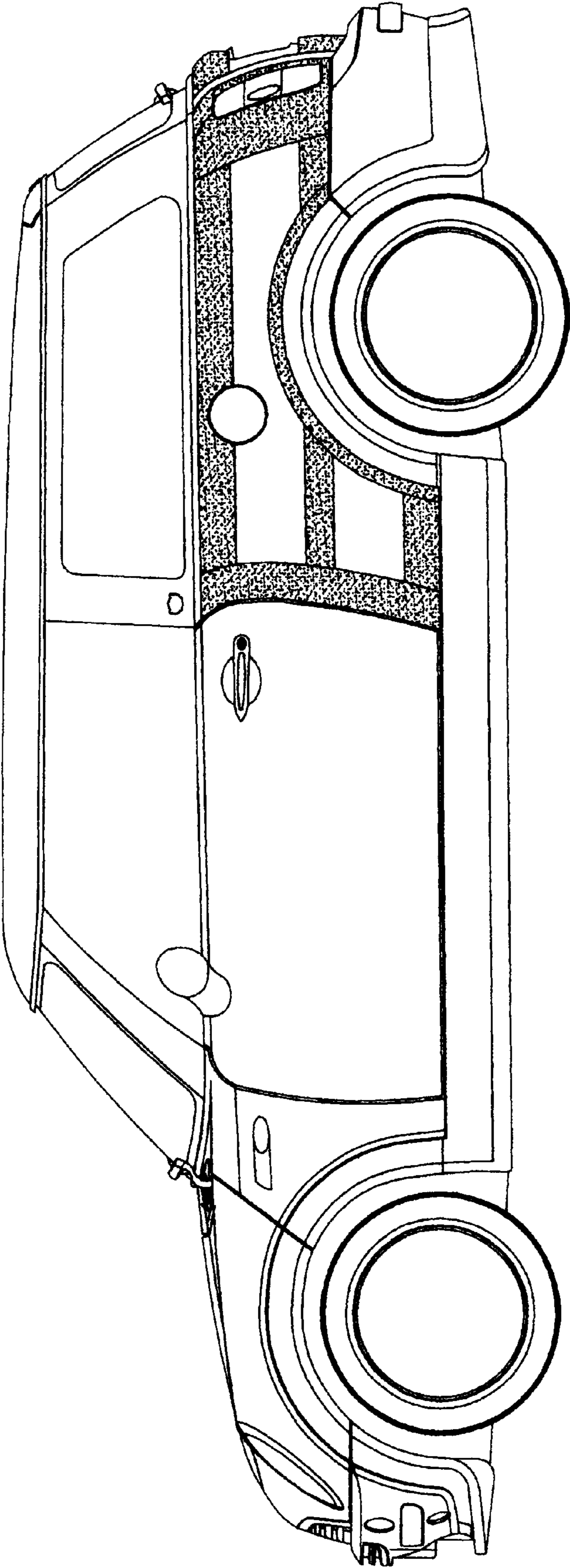


FIG. 2

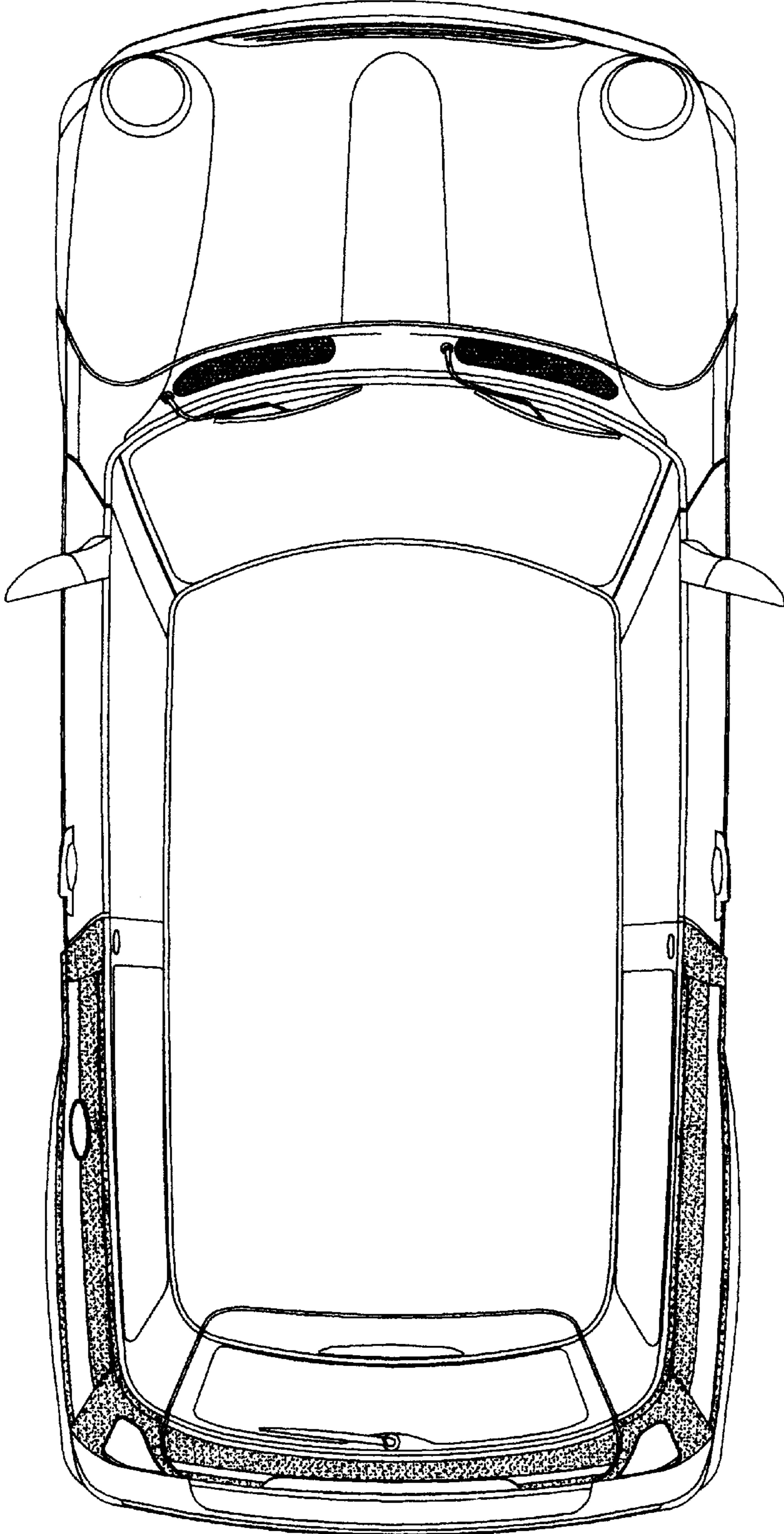


FIG. 3

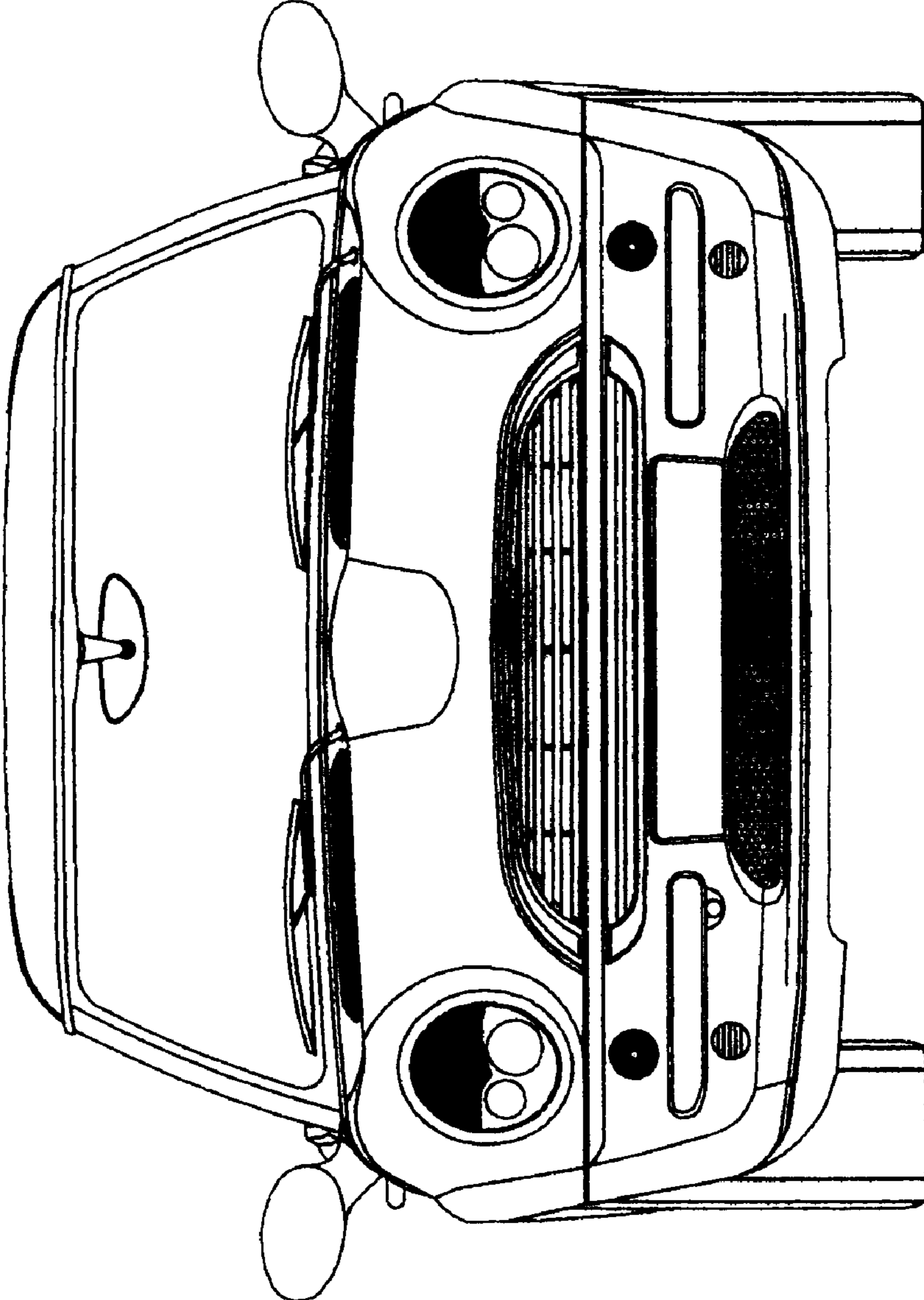


FIG. 4

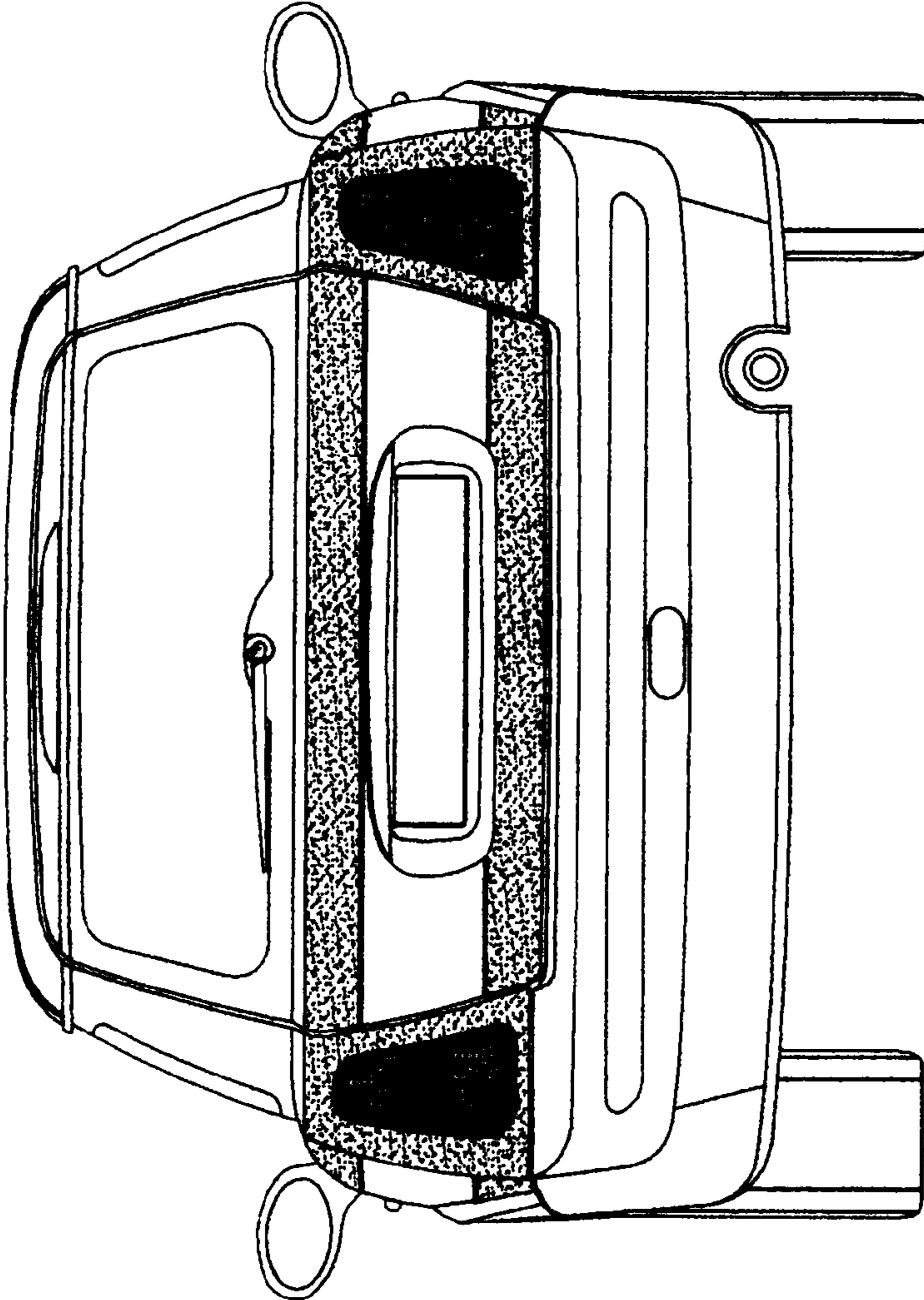


FIG. 5