



US00D513707S

(12) **United States Design Patent**
Choi et al.

(10) **Patent No.:** **US D513,707 S**

(45) **Date of Patent:** **** Jan. 24, 2006**

(54) **SCALE**

D411,472 S * 6/1999 Au D10/92
D498,692 S * 11/2004 Vuckovic et al. D10/92

(75) Inventors: **Charles Y. Choi**, Chicago, IL (US);
Jason P. Grochowski, Crown Point, IN
(US); **James G. Montagnino**, St.
Charles, IL (US)

* cited by examiner

Primary Examiner—Antoine D. Davis
(74) *Attorney, Agent, or Firm*—McDermott Will & Emery
LLP

(73) Assignee: **Tanita Corporation**, Tokyo (JP)

(57) **CLAIM**

(**) Term: **14 Years**

The ornamental design for scale, as shown and described.

(21) Appl. No.: **29/220,202**

DESCRIPTION

(22) Filed: **Dec. 29, 2004**

(51) **LOC (8) Cl.** **10-04**

(52) **U.S. Cl.** **D10/92**

(58) **Field of Classification Search** D10/92;
177/238–241, 25.13, 25.16, 126, 127; 600/506,
600/547

See application file for complete search history.

FIG. 1 is a front perspective view of the scale showing the
new design;
FIG. 2 is a top view of the scale;
FIG. 3 is a bottom view of the scale;
FIG. 4 is a side view of the scale;
FIG. 5 is another side view of the scale;
FIG. 6 is a rear view of the scale; and,
FIG. 7 is a front view of the scale.

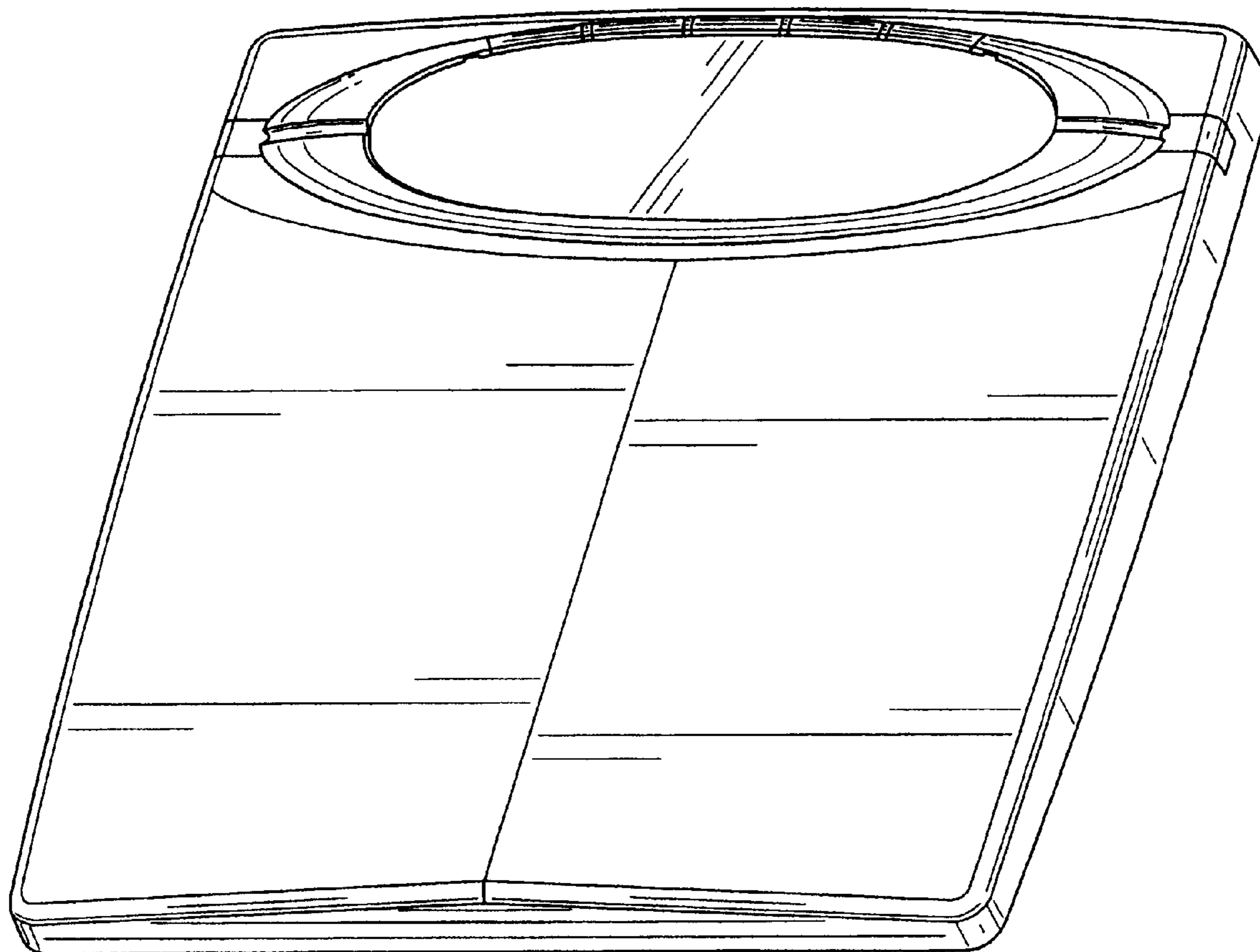
The broken line showing is for illustrative purposes only and
forms no part of the claimed design.

(56) **References Cited**

U.S. PATENT DOCUMENTS

D193,024 S * 6/1962 Aleks D10/92

1 Claim, 4 Drawing Sheets



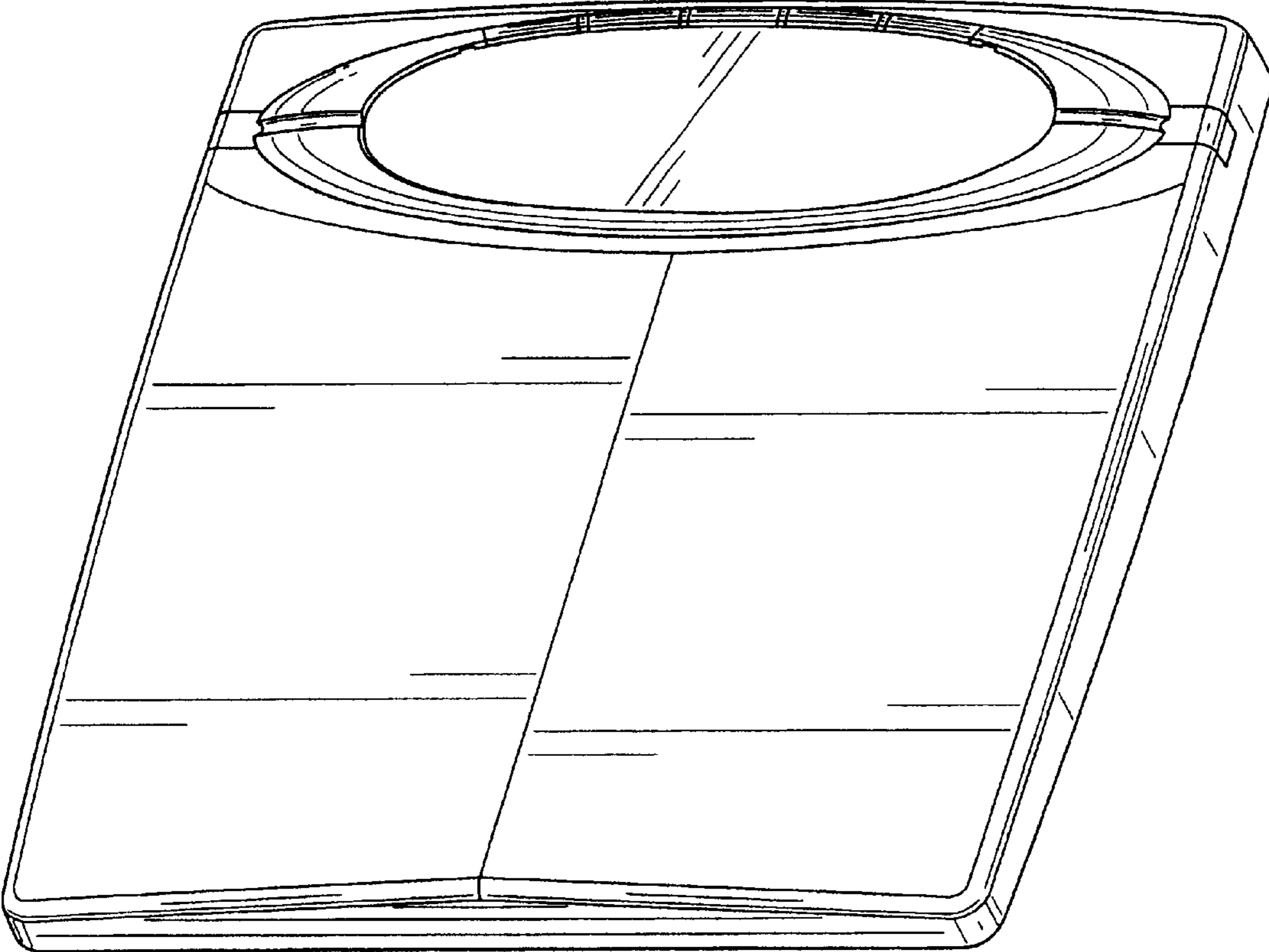


FIG. 1

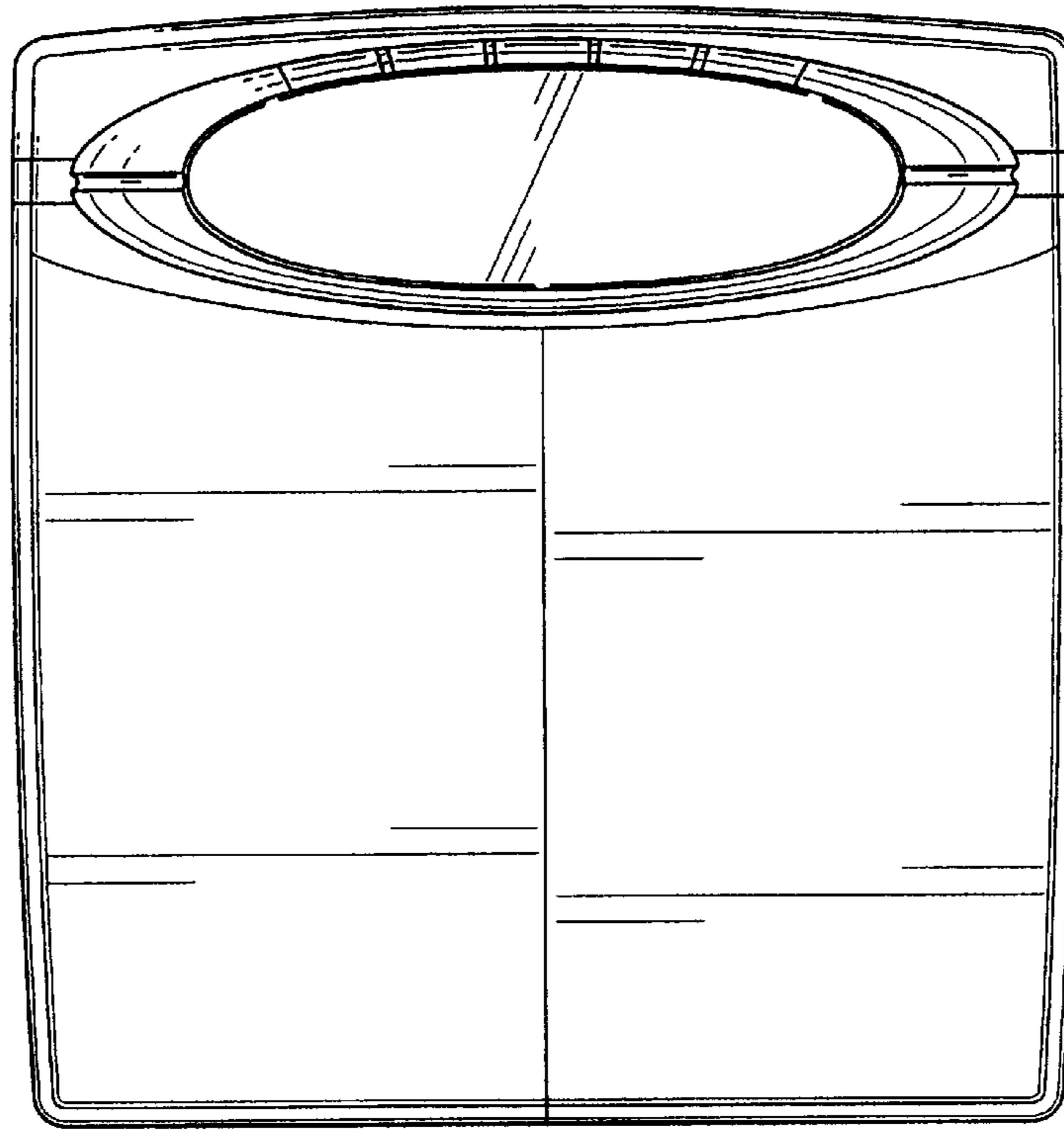


FIG. 2

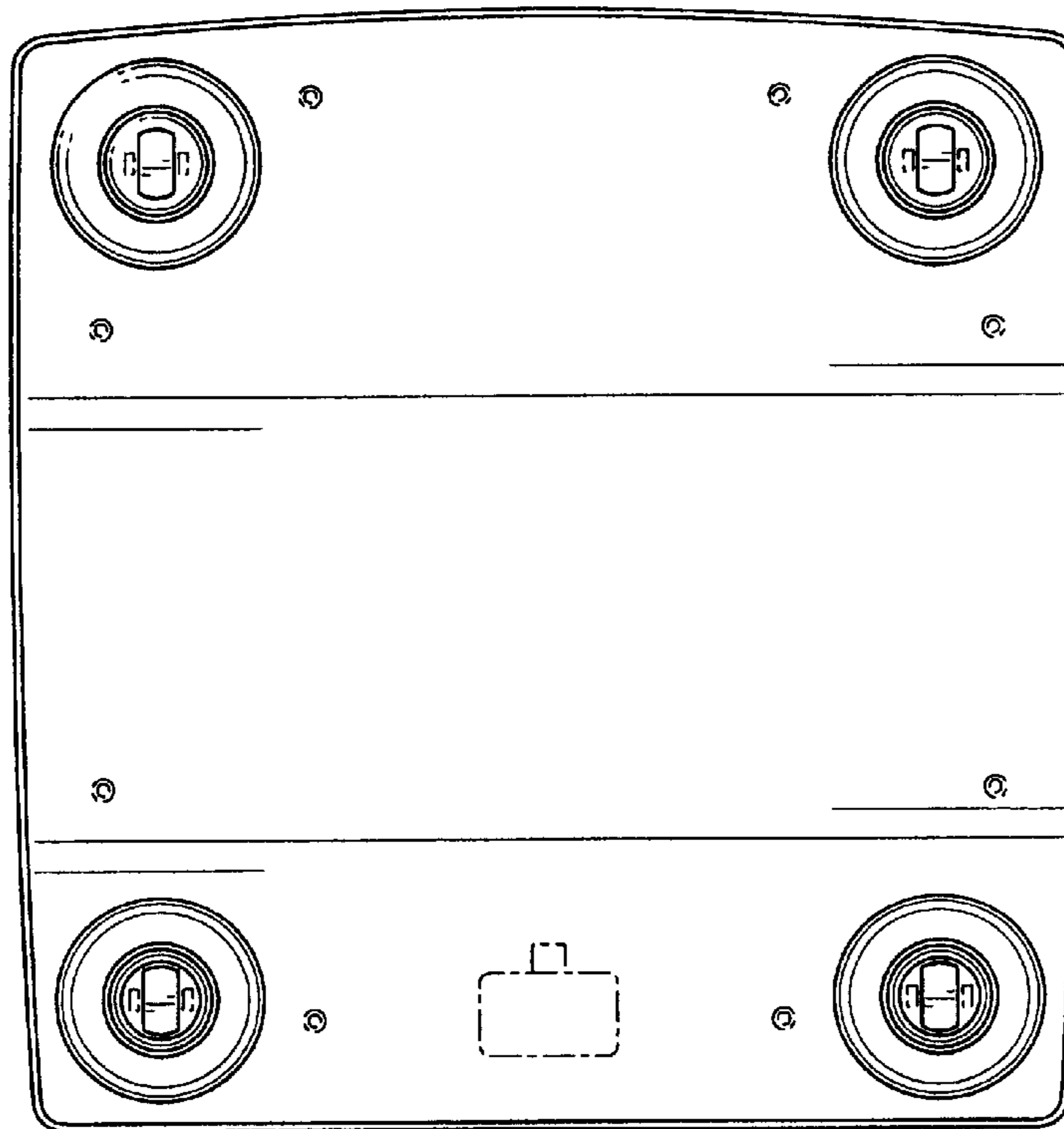


FIG. 3

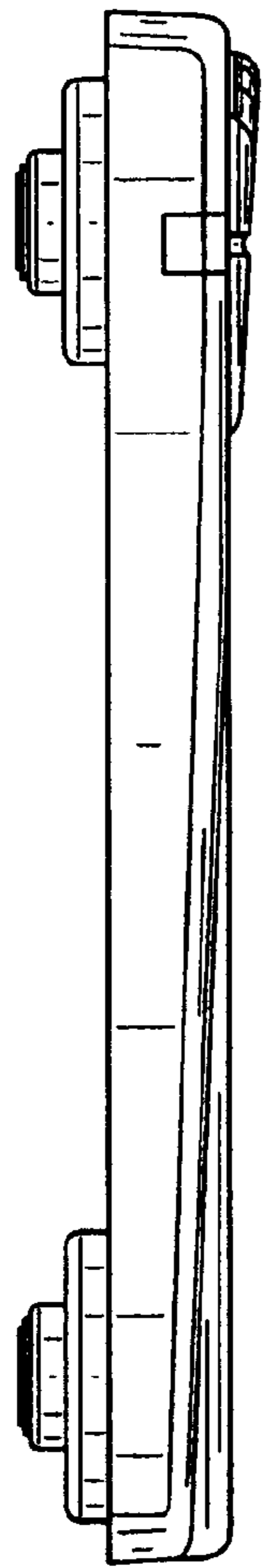


FIG. 4

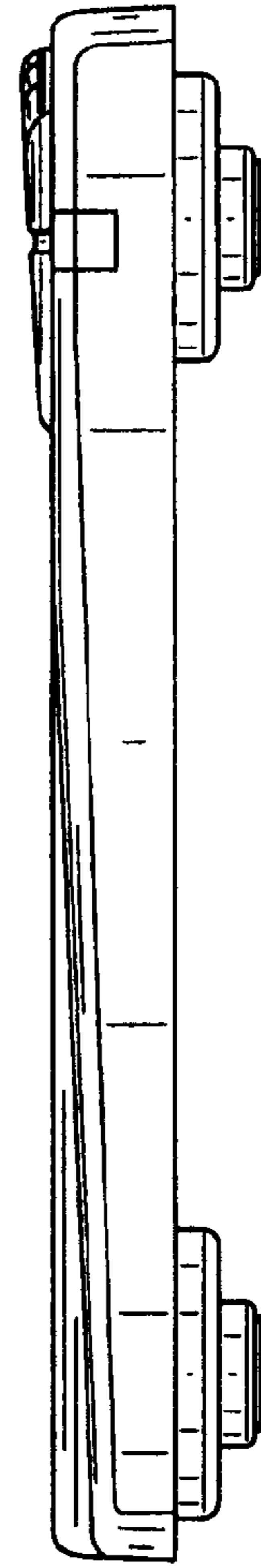


FIG. 5

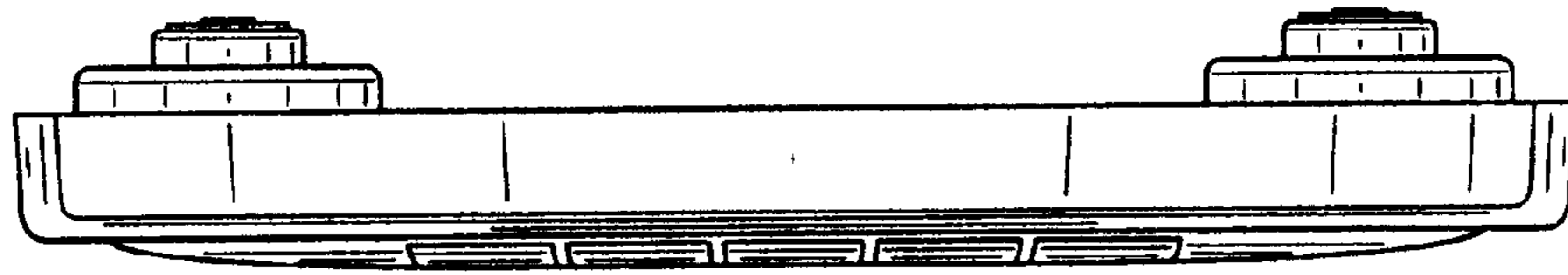


FIG. 6

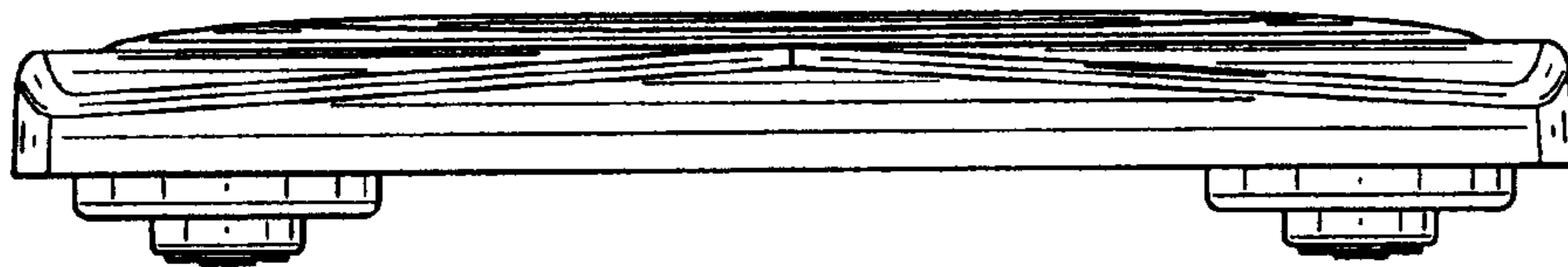


FIG. 7