



US00D513705S

(12) **United States Design Patent**
Stekelenburg

(10) **Patent No.:** **US D513,705 S**

(45) **Date of Patent:** **** Jan. 24, 2006**

(54) **TIMER**

(76) **Inventor:** **Albert Stekelenburg**, 9th Fl., 102
Kuang-Fu S. Rd., Taipei (TW)

(**) **Term:** **14 Years**

(21) **Appl. No.:** **29/204,521**

(22) **Filed:** **Apr. 30, 2004**

(51) **LOC (8) Cl.** **10-03**

(52) **U.S. Cl.** **D10/40**

(58) **Field of Classification Search** D10/40,
D10/41, 1-5, 15, 30, 31, 97; D13/137.1,
D13/138.1, 139.8, 139.6, 137.3; 307/141,
307/141.4; 368/97-123, 276-278, 316, 317,
368/285, 10; 200/33 R, 38 R, 38 DA, 38 D,
200/38 A, 38 F

See application file for complete search history.

(56) **References Cited**

U.S. PATENT DOCUMENTS

D431,787 S * 10/2000 Stekelenburg D10/40

D432,030 S	*	10/2000	Stekelenburg	D10/40
D432,441 S	*	10/2000	Stekelenburg	D10/40
D449,542 S	*	10/2001	Stekelenburg	D10/40
D455,360 S	*	4/2002	Stekelenburg	D10/40
D458,156 S	*	6/2002	Stekelenburg	D10/40
D459,243 S	*	6/2002	Stekelenburg	D10/40
D478,014 S	*	8/2003	Stekelenburg	D10/40

* cited by examiner

Primary Examiner—Lucy Lieberman

(74) *Attorney, Agent, or Firm*—Troxell Law Office, PLLC

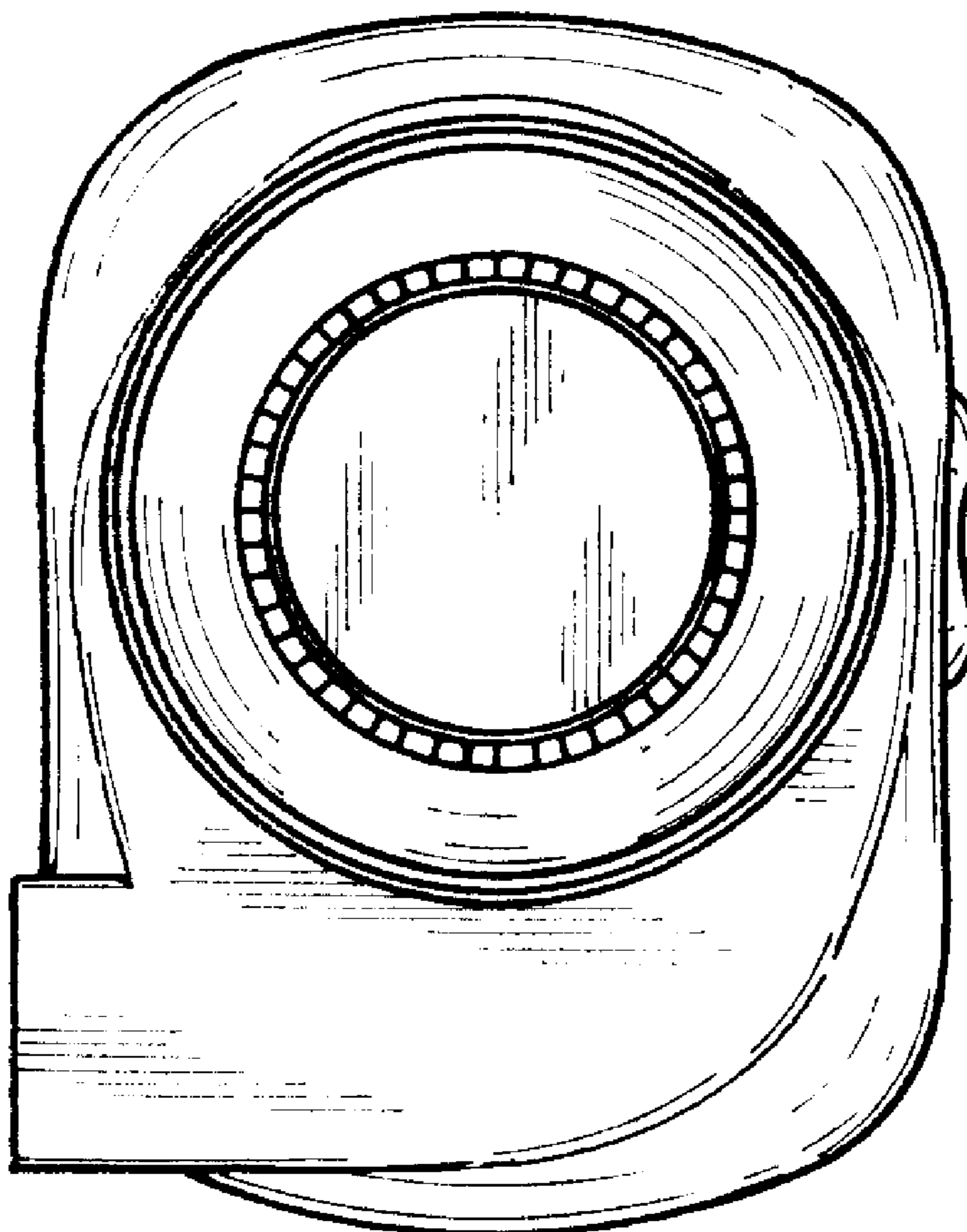
(57) **CLAIM**

The ornamental design for a timer, as shown and described.

DESCRIPTION

FIG. 1 is a top view of a timer showing my new design;
FIG. 2 is a front view thereof;
FIG. 3 is a left side elevational view thereof;
FIG. 4 is a bottom view thereof;
FIG. 5 is a right side view thereof; and,
FIG. 6 is a rear view thereof.

1 Claim, 2 Drawing Sheets



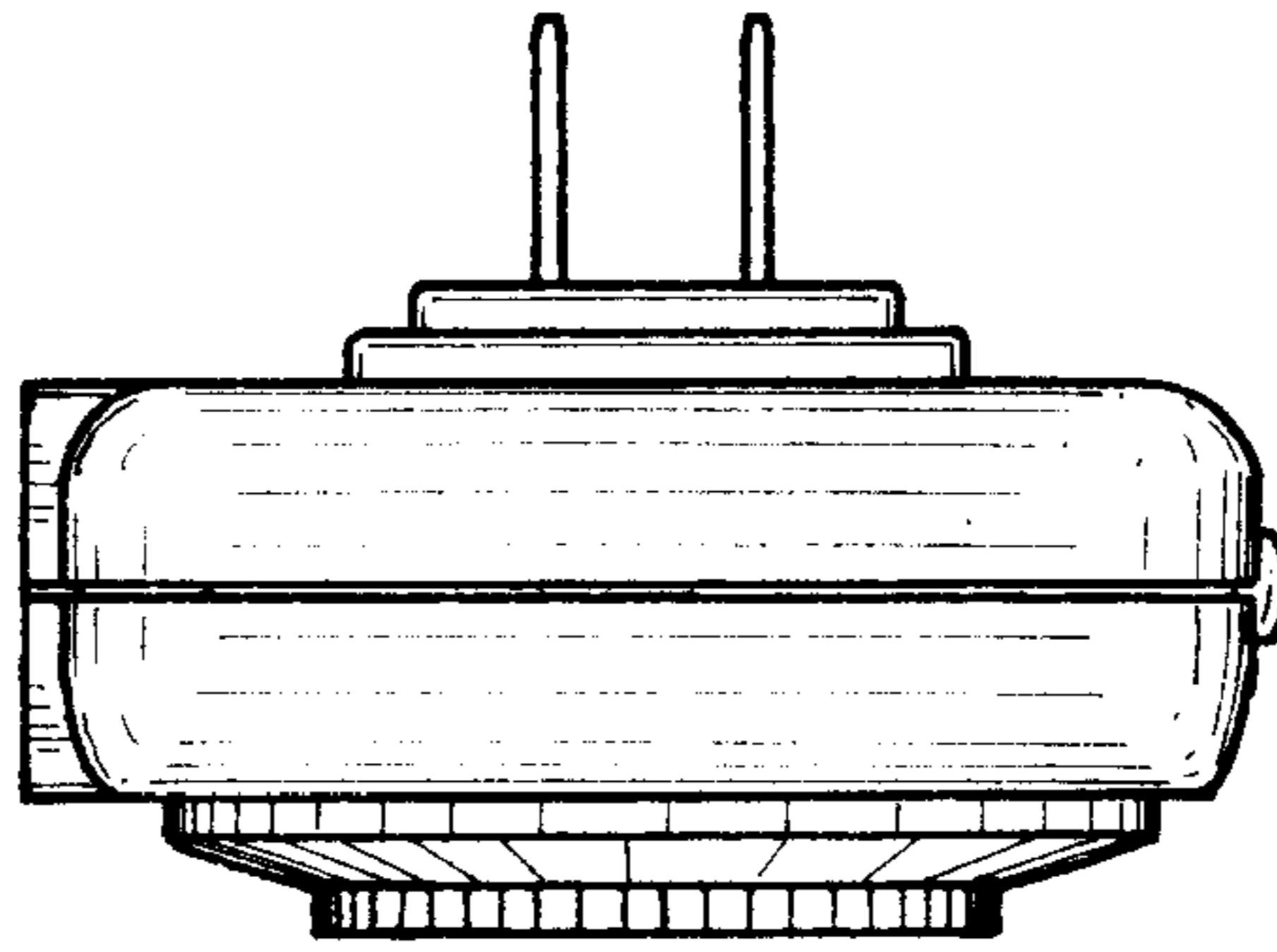


FIG. 1

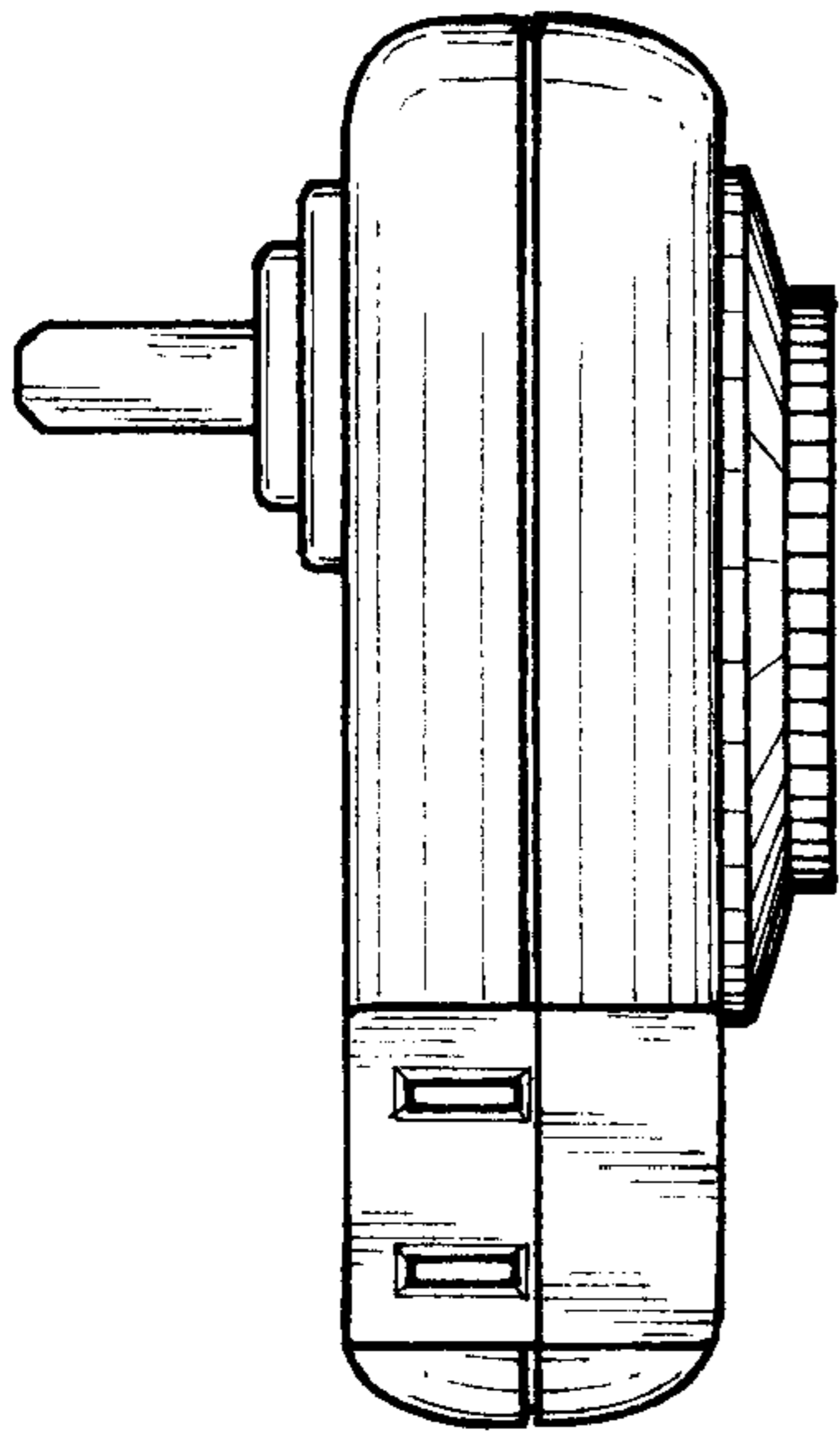


FIG. 3

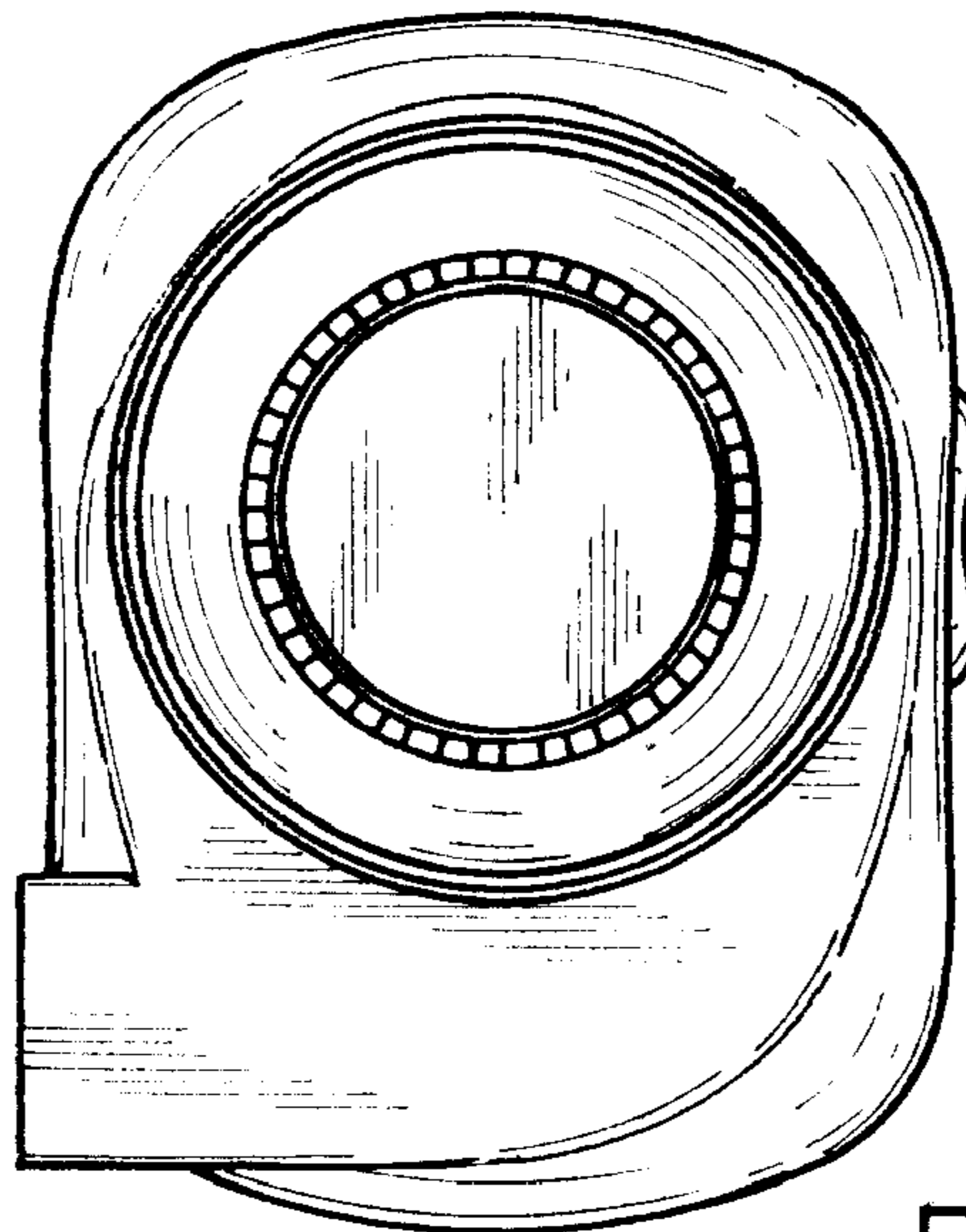


FIG. 2

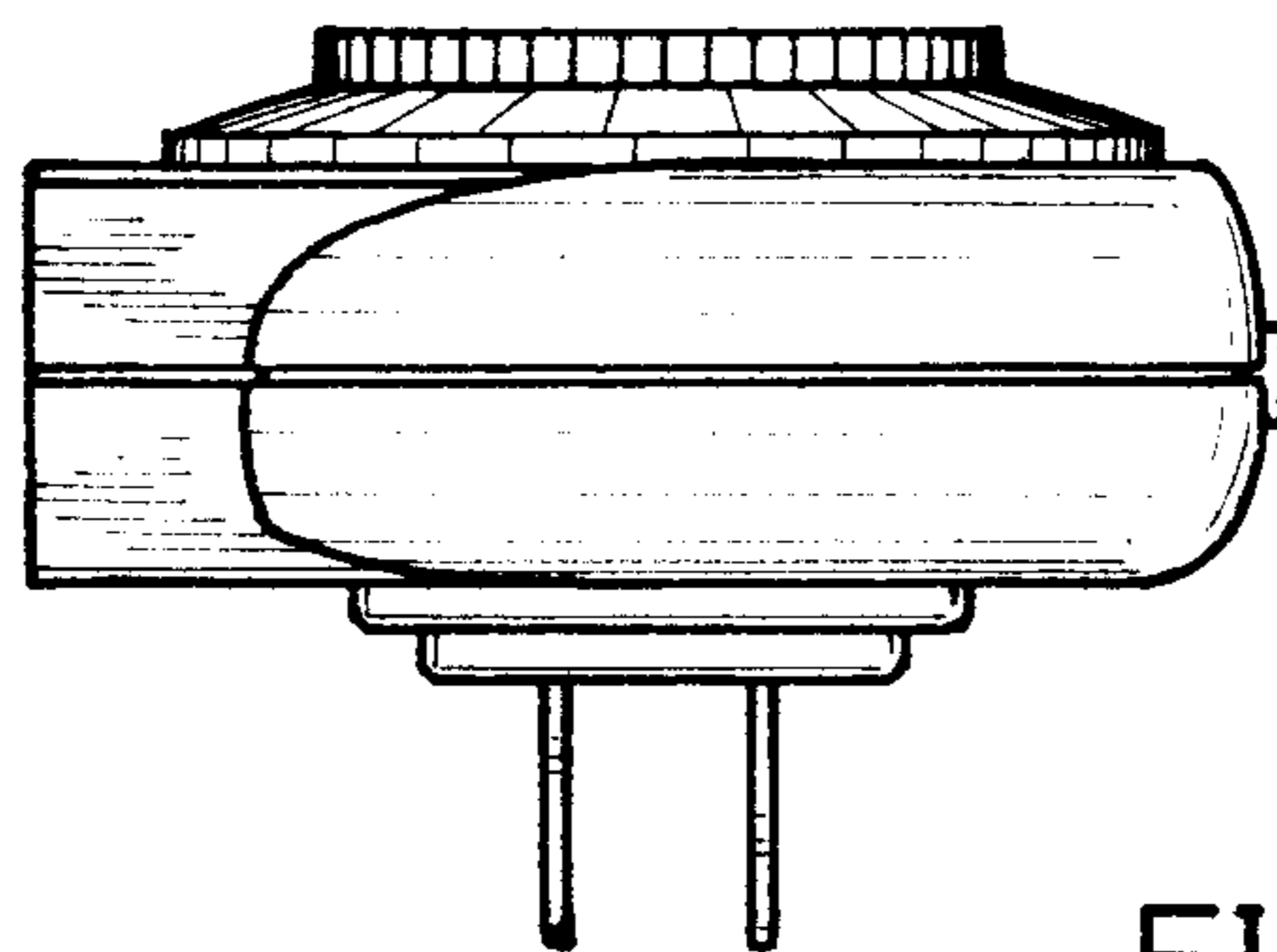


FIG. 4

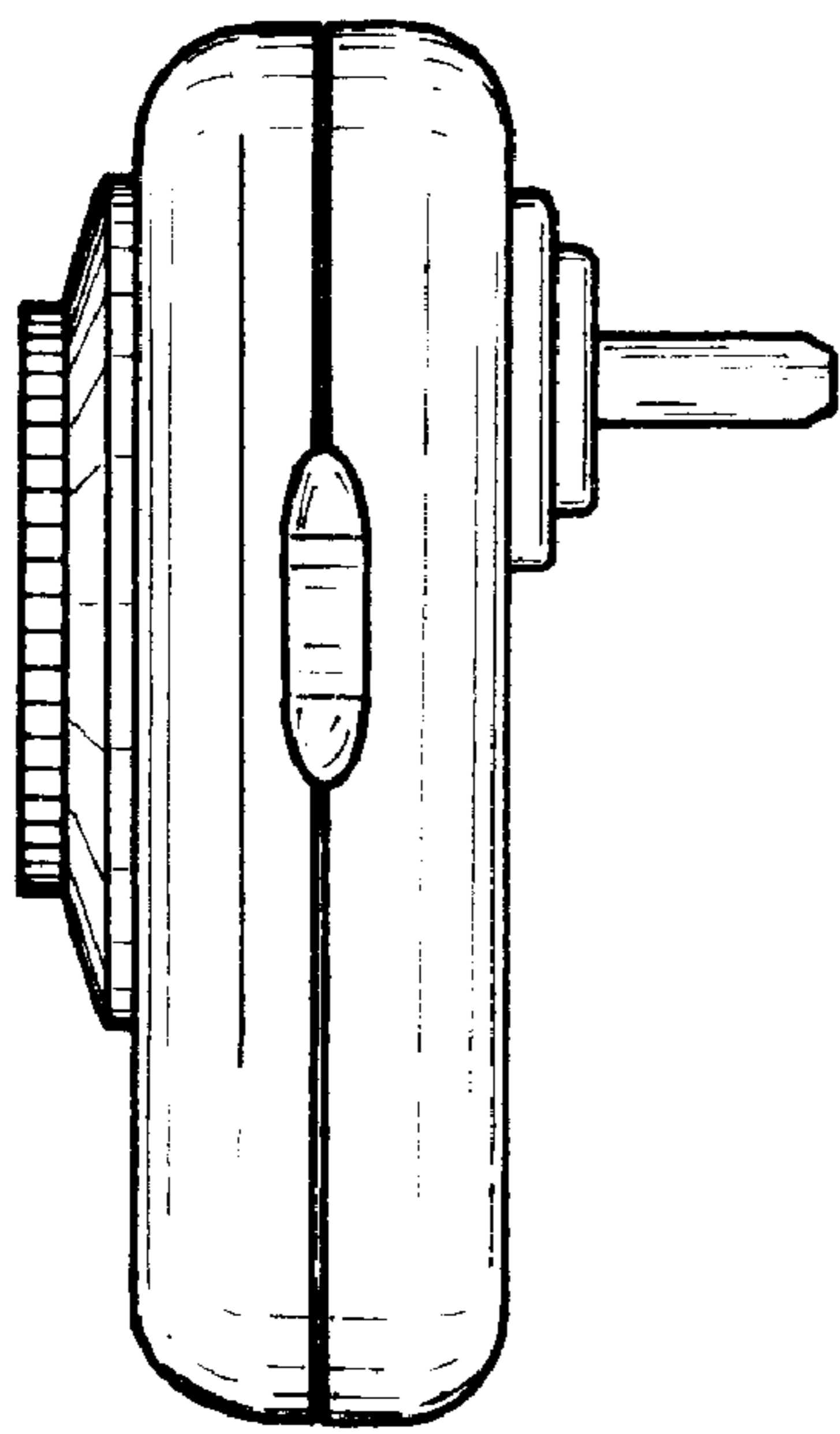


FIG. 5

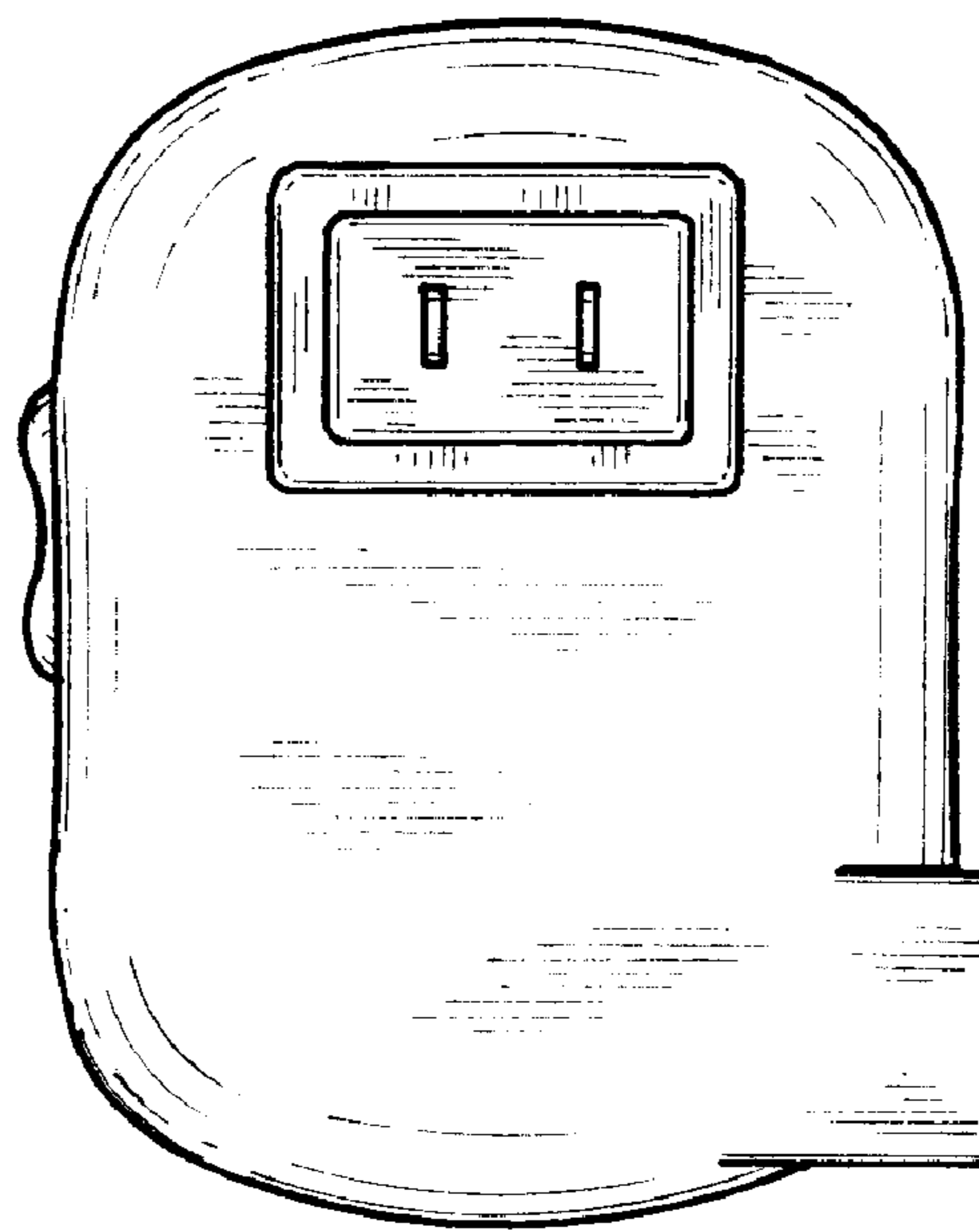


FIG. 6