



US00D513703S

(12) **United States Design Patent**
Zboch et al.

(10) **Patent No.:** **US D513,703 S**
(45) **Date of Patent:** **** Jan. 24, 2006**

- (54) **BOTTLE**
- (75) Inventors: **Gerald Zboch**, Barrington, IL (US);
Margo P. Pidgeon, Glen Ellyn, IL
(US); **Jeremy M. White**, Barrington, IL
(US); **Lance S. Oxley**, New Palestine,
IN (US)
- (73) Assignee: **Stokely-Van Camp, Inc.**, Chicago, IL
(US)

- D448,302 S 9/2001 Cheng et al.
- D448,672 S 10/2001 Cheng et al.
- D448,674 S 10/2001 Mooney
- D449,538 S 10/2001 Burleson et al.
- D452,158 S * 12/2001 Dygert D9/543
- D454,501 S * 3/2002 Tornaletti et al. D9/541
- D459,234 S * 6/2002 Bourque et al. D9/543
- D471,111 S * 3/2003 Kuzma et al. D9/543
- D472,816 S * 4/2003 Wright D9/543
- D478,514 S * 8/2003 Fai D9/531

- (**) Term: **14 Years**
- (21) Appl. No.: **29/211,661**
- (22) Filed: **Aug. 19, 2004**

* cited by examiner
Primary Examiner—Sandra L. Morris
(74) Attorney, Agent, or Firm—Lars S. Johnson; James D. Ryndak

Related U.S. Application Data

- (62) Division of application No. 29/181,503, filed on May 12, 2003.
 - (51) **LOC (8) Cl.** **09-01**
 - (52) **U.S. Cl.** **D9/667; D9/543; D9/569**
 - (58) **Field of Classification Search** D9/667,
D9/500–504, 516, 520, 530–531, 541–543,
D9/559–560, 563–570, 572–575; 215/379–383,
215/400; 220/890
- See application file for complete search history.

(57) **CLAIM**

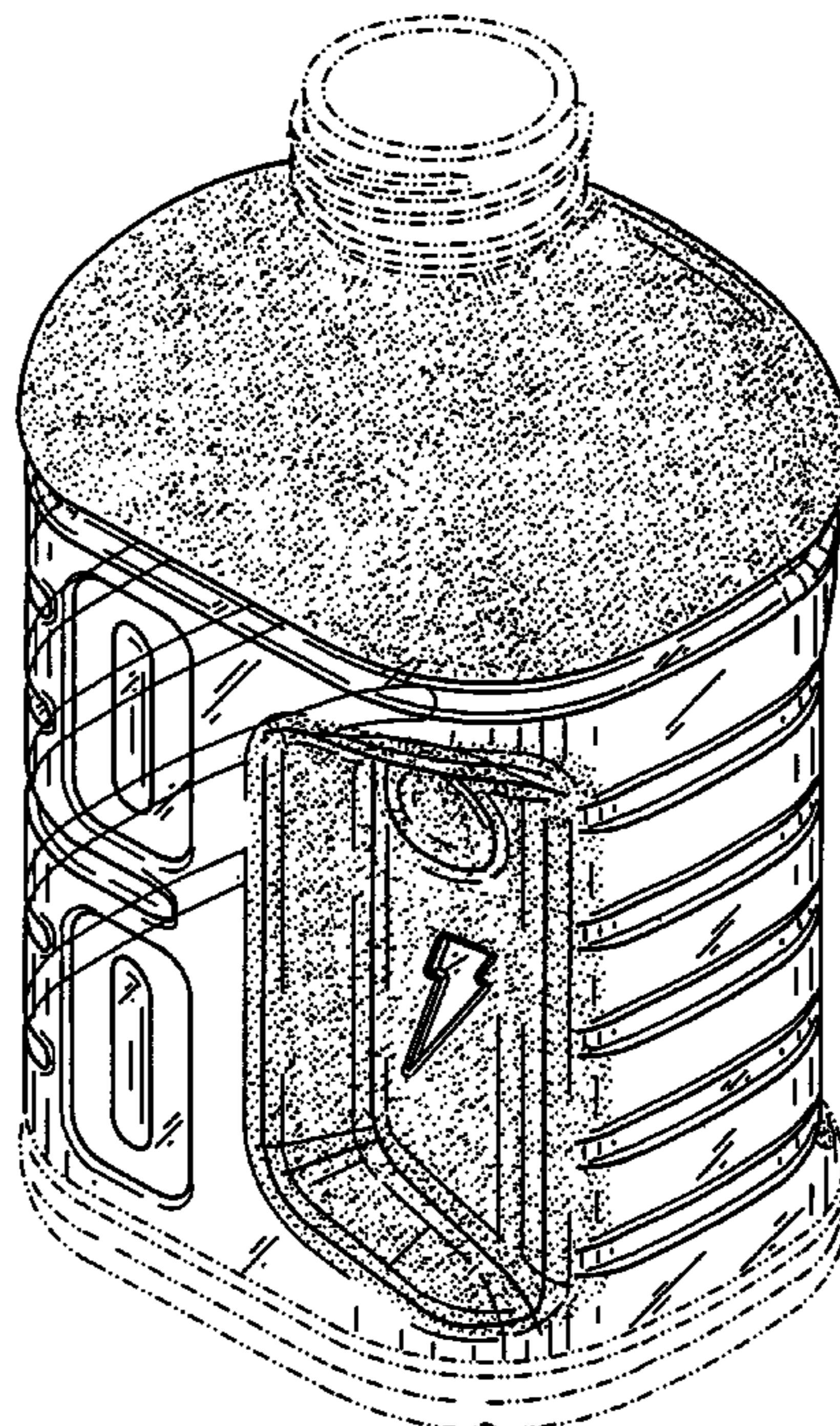
The ornamental design for a bottle, as shown and described.

DESCRIPTION

FIG. 1 is a perspective view of a bottle showing the new design;
 FIG. 2 is an elevational view thereof;
 FIG. 3 is another elevational view thereof, representing a half rotation of the bottle about its vertical axis from the elevational view depicted in FIG. 2;
 FIG. 4 is another elevational view thereof, representing a quarter rotation of the bottle about its vertical axis from the elevational view depicted in FIG. 2;
 FIG. 5 is another elevational view thereof, representing a half rotation of the bottle about its vertical axis from the elevational view depicted in FIG. 4; and,
 FIG. 6 is a top plan view thereof.
 The broken line showing is for illustrative purposes only, and forms no part of the claimed design.

- (56) **References Cited**
U.S. PATENT DOCUMENTS
 D288,905 S 3/1987 Platte, Sr.
 D385,497 S 10/1997 Krishnakumar et al.
 D390,114 S 2/1998 Young
 D393,210 S 4/1998 Ewing, Jr.
 D431,470 S 10/2000 Henderson

1 Claim, 4 Drawing Sheets



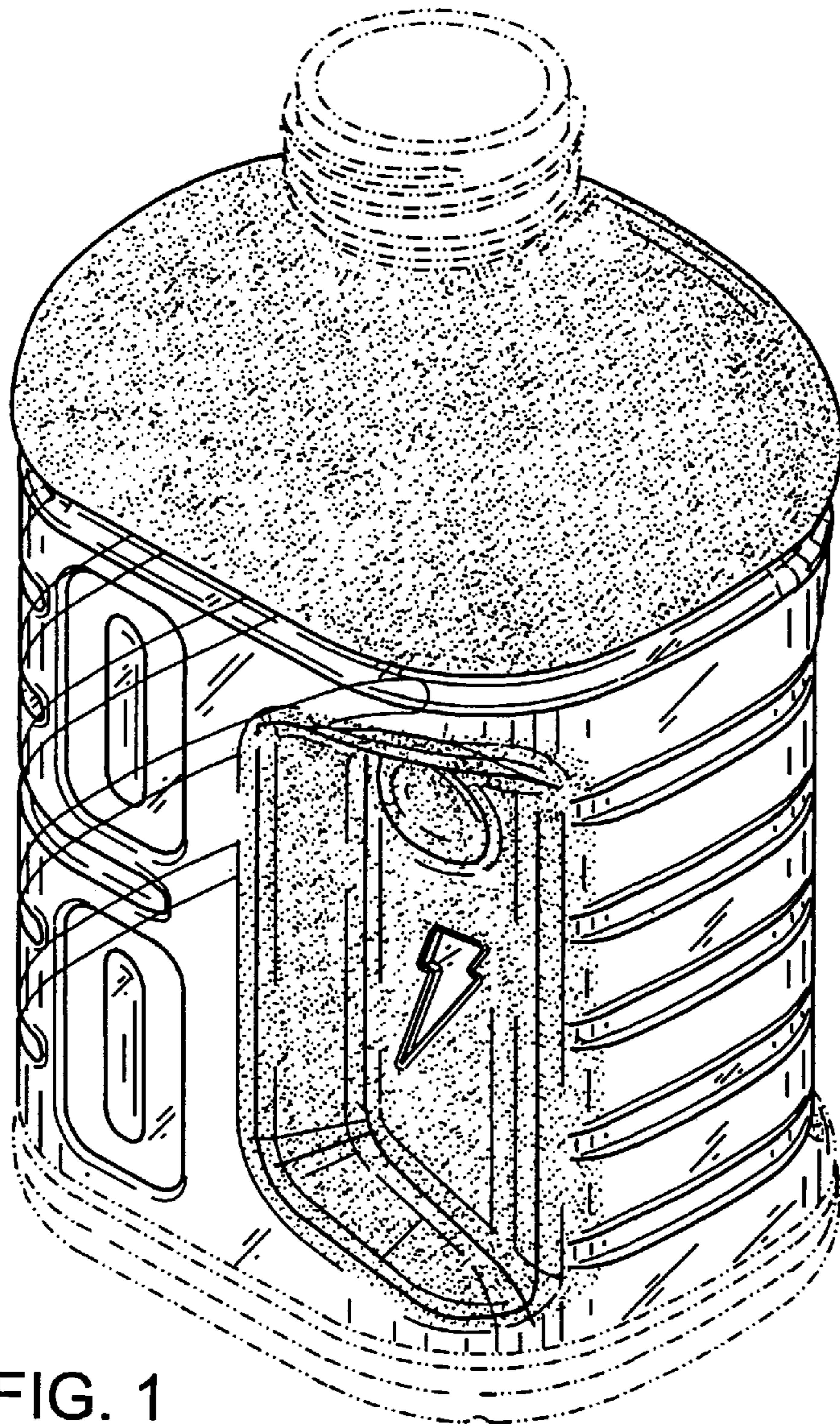


FIG. 1

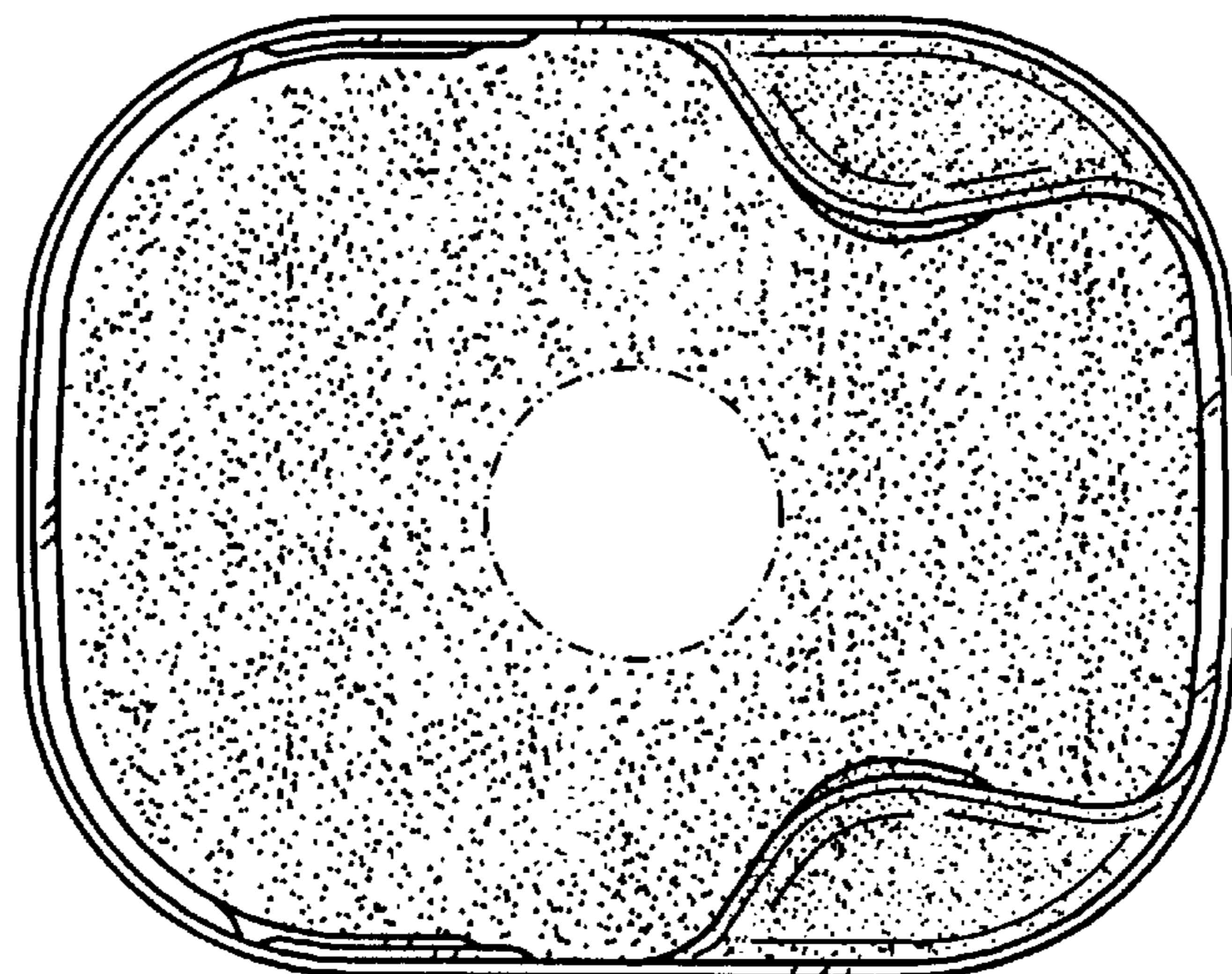


FIG. 6

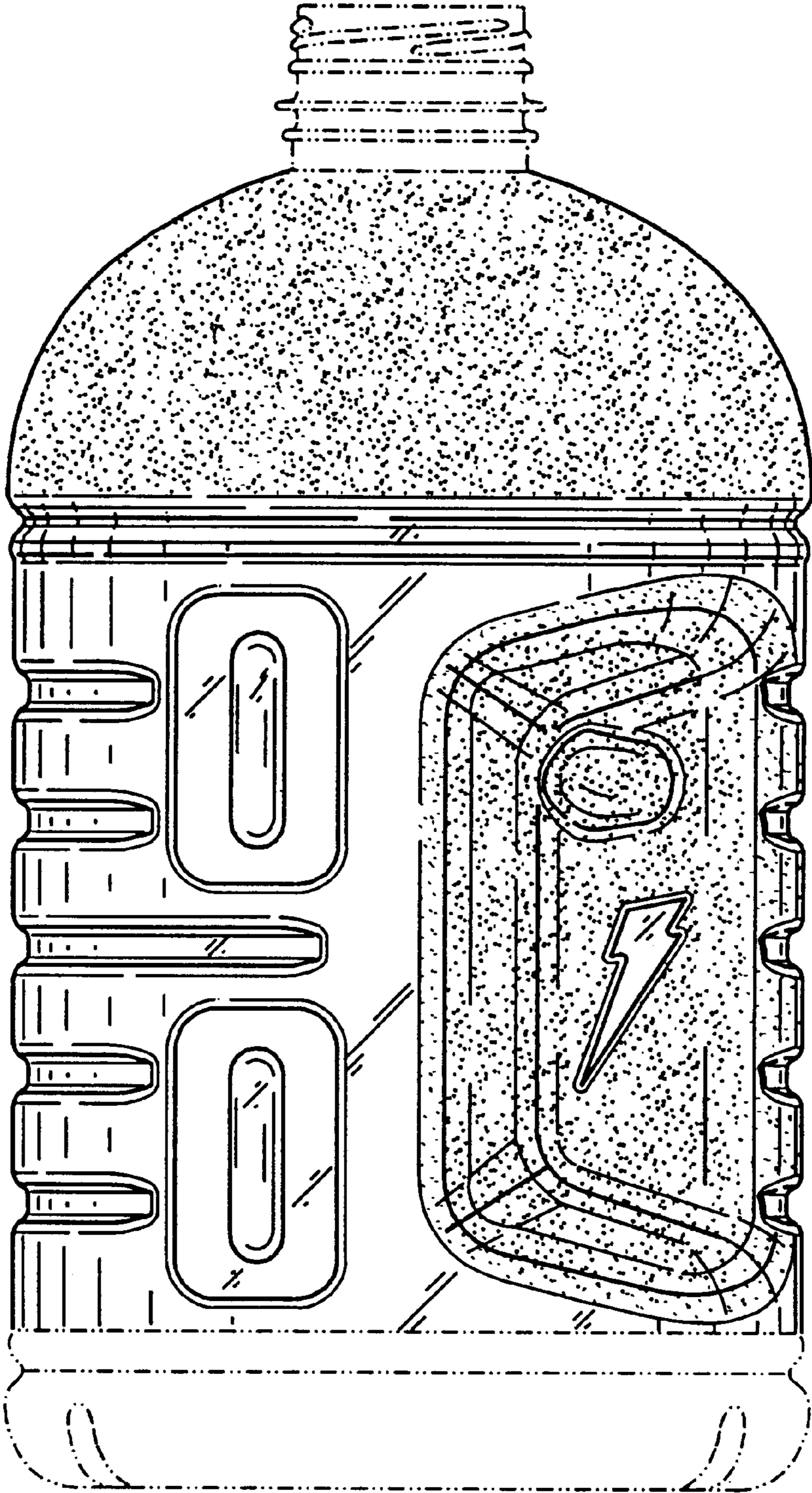


FIG. 2

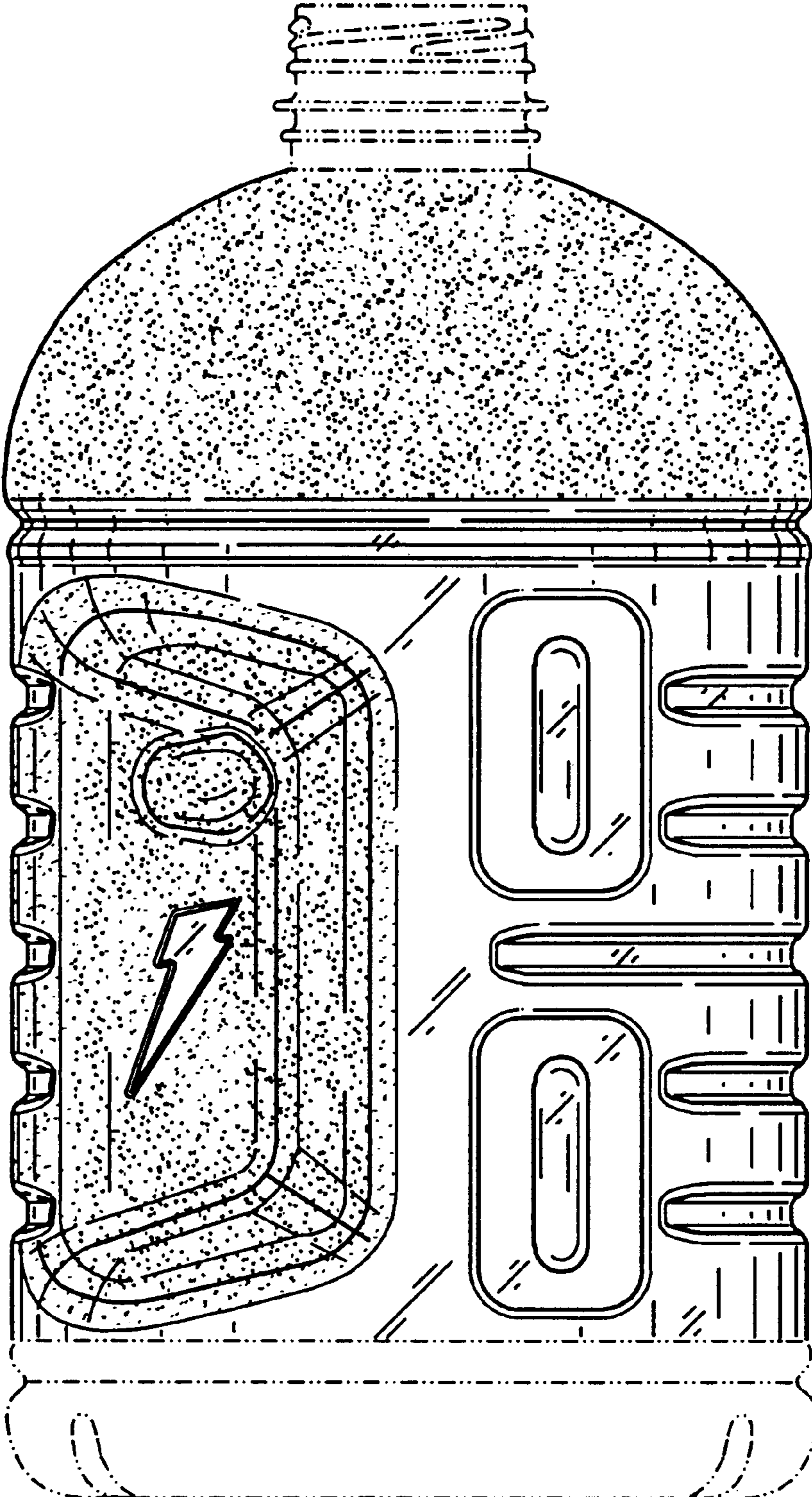


FIG. 3

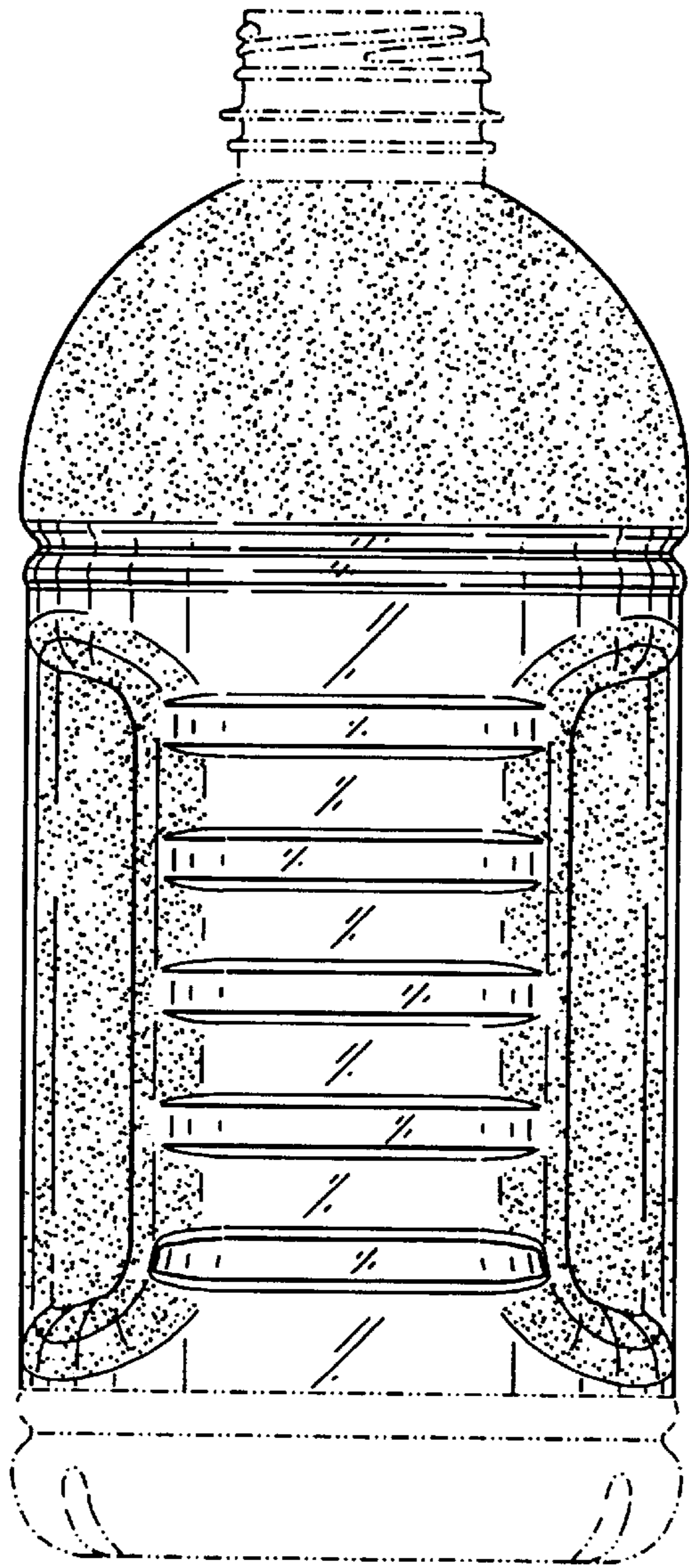


FIG. 4

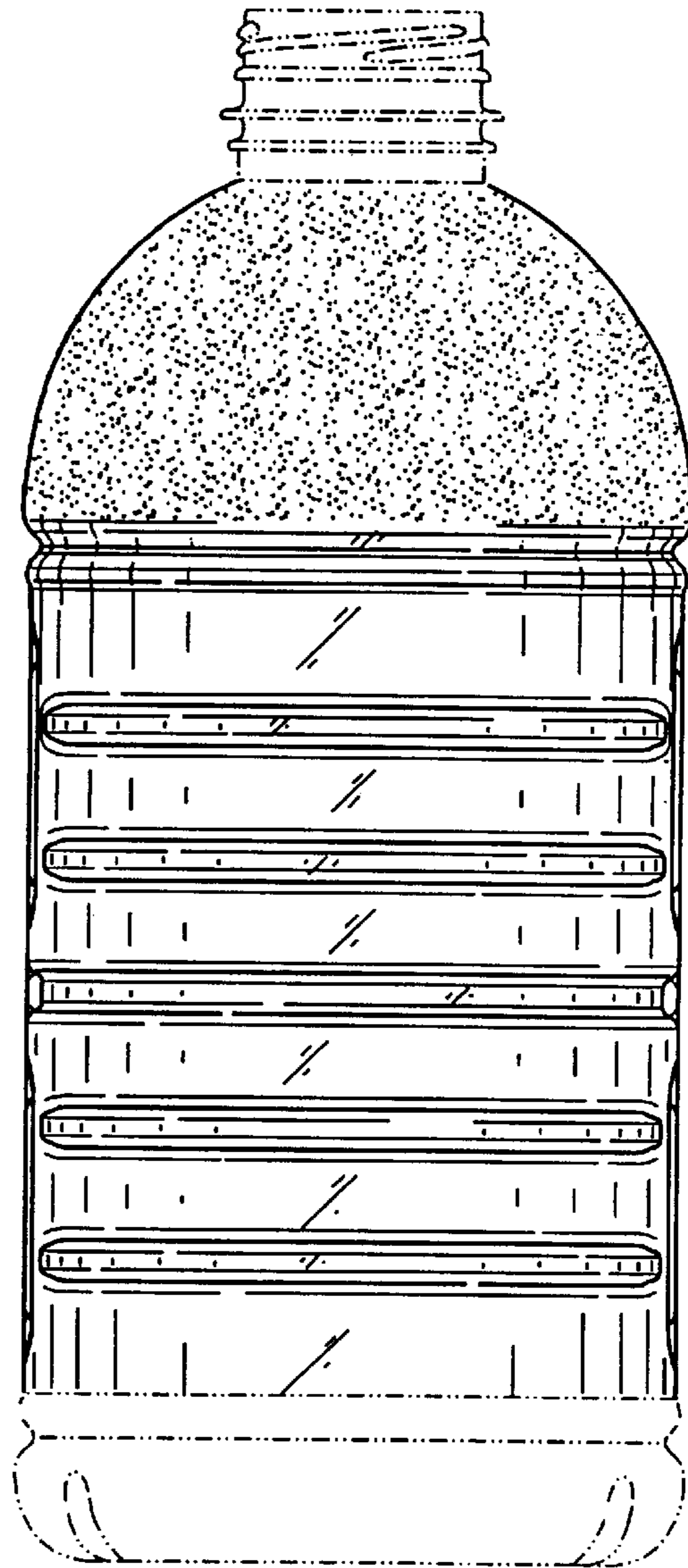


FIG. 5