



US00D513701S

(12) **United States Design Patent** (10) **Patent No.:** **US D513,701 S**  
**Bertucci et al.** (45) **Date of Patent:** **\*\* Jan. 24, 2006**

(54) **BOTTLE**  
 (75) Inventors: **Michael H. Bertucci**, Gurnee, IL (US);  
**Reuben Wu**, Saffron Walden (GB);  
**Matthew E. Young**, Cambs (GB)  
 (73) Assignee: **JohnsonDiversey, Inc.**, Sturtevant, WI  
 (US)  
 (\*\*) Term: **14 Years**  
 (21) Appl. No.: **29/189,201**  
 (22) Filed: **Aug. 29, 2003**

**Related U.S. Application Data**

(62) Division of application No. 29/151,594, filed on Nov. 8,  
 2001, now Pat. No. Des. 483,270.  
 (51) **LOC (8) Cl.** ..... **09-01**  
 (52) **U.S. Cl.** ..... **D9/523; D9/563**  
 (58) **Field of Classification Search** ..... D9/516,  
 D9/522-523, 530, 543, 550, 557, 561, 563,  
 D9/574-575, 525-528; D23/225; 215/382-384,  
 215/396, 398, 400, 12.1-12.3  
 See application file for complete search history.

(56) **References Cited**

**U.S. PATENT DOCUMENTS**

2,215,942 A \* 9/1940 Terrell ..... 215/6  
 D165,984 S \* 2/1952 Konefes ..... D9/527  
 2,711,839 A \* 6/1955 Konefes ..... 215/12.1  
 D192,190 S \* 2/1962 Wheeler ..... D9/526  
 D200,969 S \* 4/1965 Wildgen ..... D7/612  
 D205,550 S \* 8/1966 Morgan ..... D9/528  
 D205,910 S \* 10/1966 Northrup ..... D9/523 X  
 D224,882 S \* 10/1972 Alpern ..... D9/693  
 D233,414 S \* 10/1974 Avolio ..... D9/523  
 3,863,843 A 2/1975 Hechler, IV ..... 239/318  
 3,904,116 A \* 9/1975 Jones et al. .... 239/127  
 3,964,689 A 6/1976 Horvath, Jr. .... 239/318  
 D242,526 S \* 11/1976 Carre ..... D9/523  
 4,124,148 A 11/1978 Vieler et al. .... 222/321  
 D266,095 S \* 9/1982 Hara ..... D18/43  
 D273,768 S \* 5/1984 Sedam et al. .... D9/523

D282,634 S \* 2/1986 Beaver et al. .... D9/523  
 D287,226 S \* 12/1986 Lyons ..... D9/528 X  
 D295,214 S 4/1988 Miller ..... D23/225  
 D295,373 S \* 4/1988 Saunders ..... D9/520  
 D296,813 S 7/1988 Ellison ..... D23/225  
 D303,084 S \* 8/1989 Sedam et al. .... D9/543  
 D305,452 S 1/1990 Morgan ..... D23/225  
 D307,463 S 4/1990 Fushiya et al. .... D23/225  
 D308,633 S \* 6/1990 Irvine ..... D9/528  
 D322,560 S \* 12/1991 Waine ..... D9/523  
 D324,495 S \* 3/1992 Warrington ..... D9/528  
 D334,795 S \* 4/1993 Demarest ..... D23/225  
 D341,775 S \* 11/1993 Wolde et al. .... D9/724  
 D345,916 S \* 4/1994 Bondewel ..... D9/523  
 D388,708 S \* 1/1998 Monaghan ..... D9/523  
 D397,038 S \* 8/1998 Estrin et al. .... D9/523  
 D415,033 S \* 10/1999 Forecast et al. .... D9/528  
 D419,432 S \* 1/2000 Evans ..... D9/300  
 D431,279 S \* 9/2000 Spriegel ..... D23/225  
 6,182,911 B1 2/2001 Hanks et al. .... 239/318  
 6,293,441 B1 \* 9/2001 Tasaki et al. .... 222/376  
 D462,012 S \* 8/2002 Manderfield, Jr. .... D9/530

(Continued)

*Primary Examiner*—Carol Rademaker  
 (74) *Attorney, Agent, or Firm*—Gregory S. Bollis; Neil E.  
 Hamilton; James J. Sales

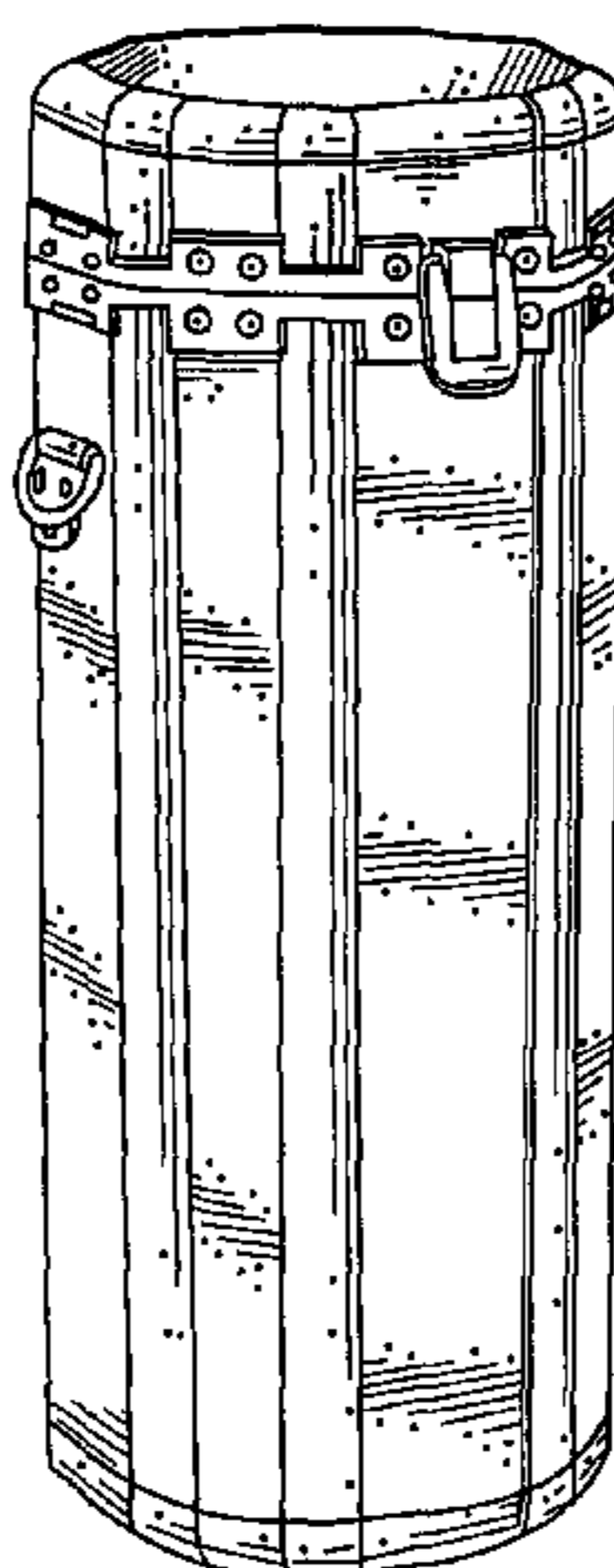
(57) **CLAIM**

The ornamental design for a bottle, as shown and described.

**DESCRIPTION**

The nature of this product is as a bottle for liquids primarily  
 used for cleaning and sanitizing solutions.  
 FIG. 1 is a right, front, perspective view of a bottle embody-  
 ing our new design;  
 FIG. 2 is a front elevational view thereof, the back eleva-  
 tional view thereof being a mirror image of the front shown;  
 FIG. 3 is a right side elevation view thereof;  
 FIG. 4 is a left side elevation view thereof;  
 FIG. 5 is a top plan view thereof; and,  
 FIG. 6 is a bottom plan view thereof.  
 The broken lines shown in the drawings are for illustrative  
 purposes only and form no part of the claimed design.

**1 Claim, 3 Drawing Sheets**



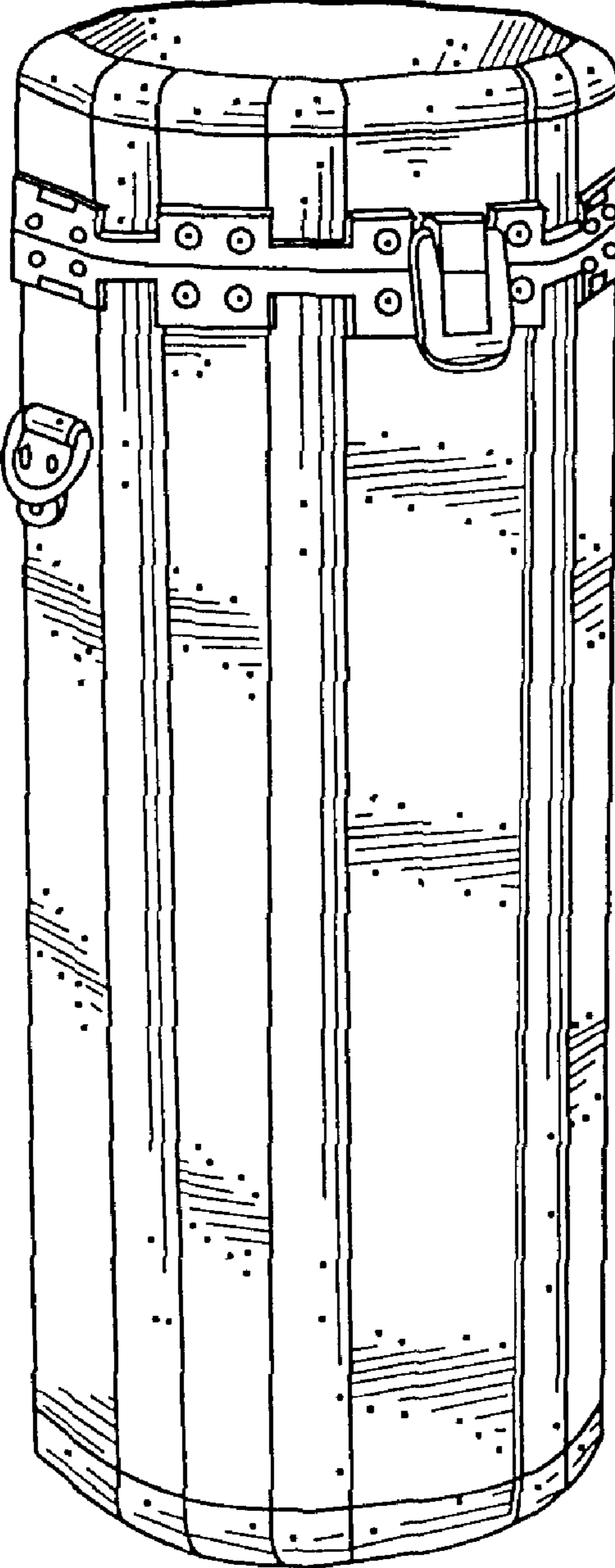
# US D513,701 S

Page 2

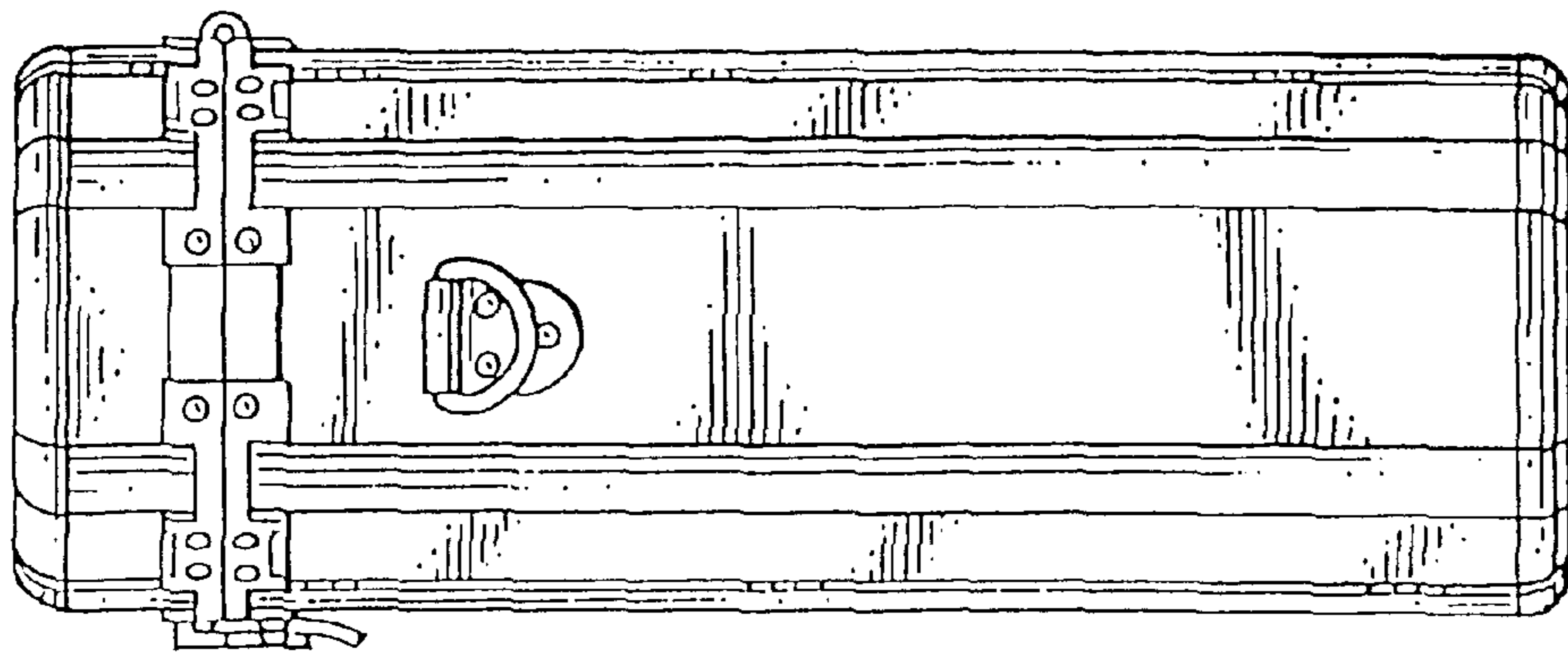
---

## U.S. PATENT DOCUMENTS

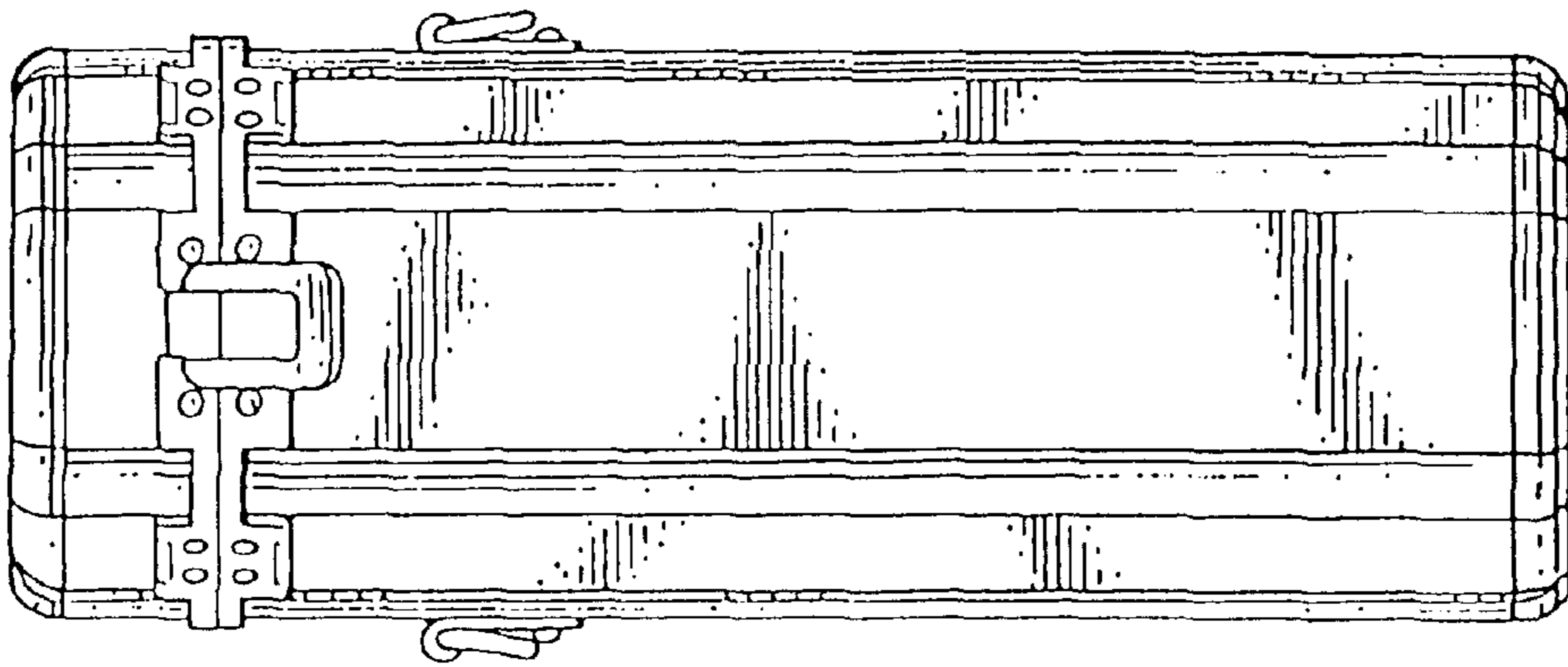
D466,584 S	*	12/2002	Hubmann et al. ....	D23/225	D480,124 S	*	9/2003	Hubmann et al. ....	D23/213
D466,815 S	*	12/2002	Sweeton .....	D9/523	D496,278 S	*	9/2004	Bertucci et al. ....	D9/523
									* cited by examiner



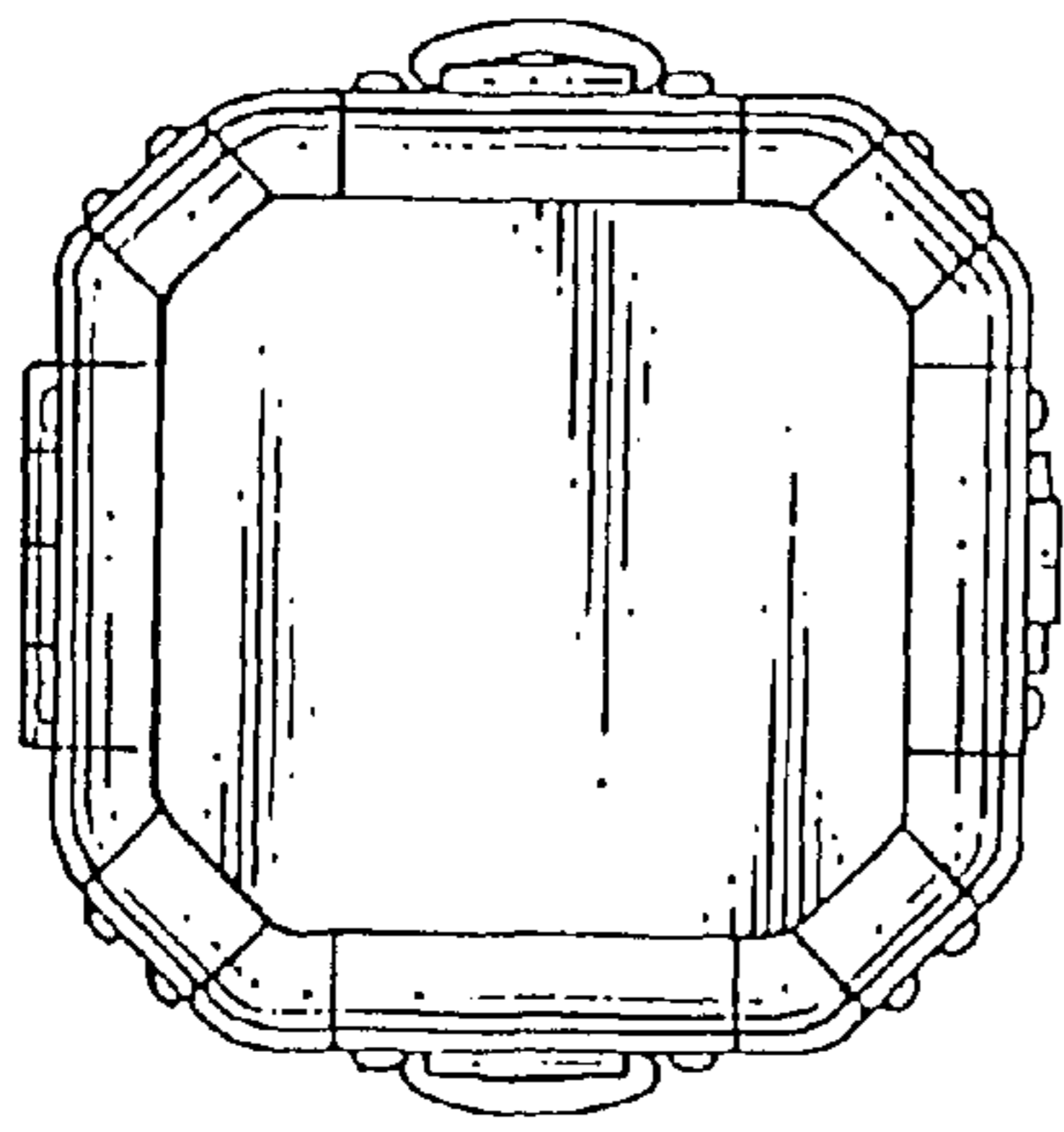
*Fig. 1*



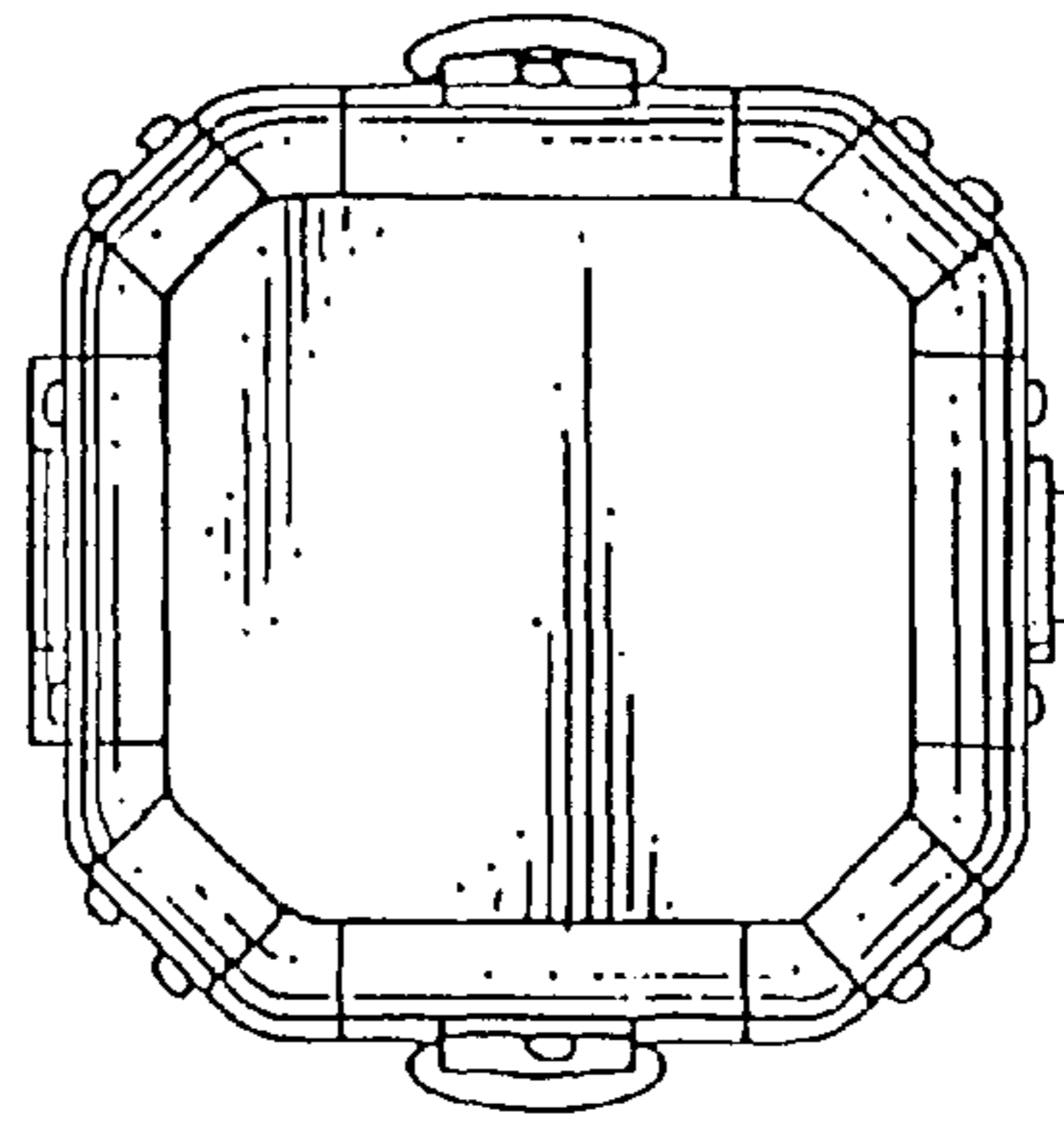
*Fig. 3*



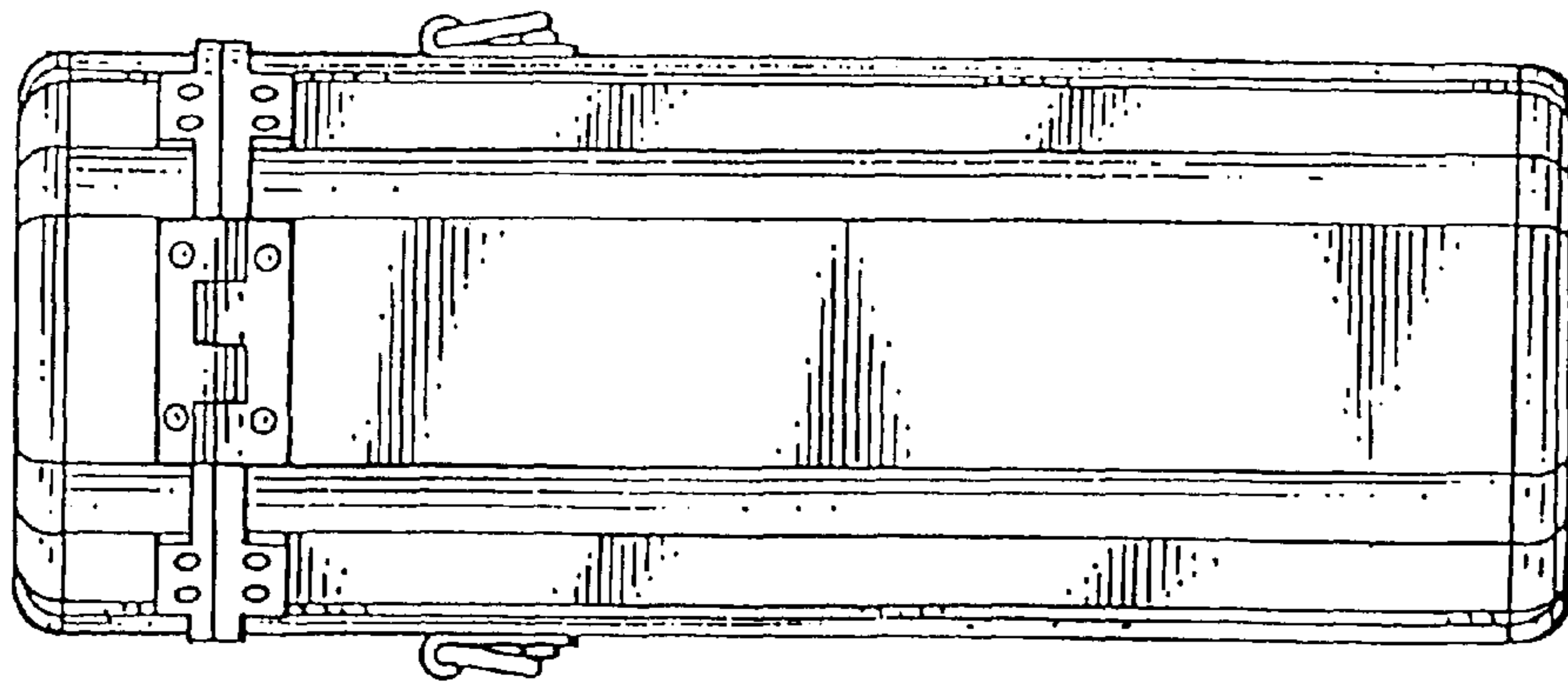
*Fig. 2*



*Fig. 5*



*Fig. 6*



*Fig. 4*



UNITED STATES PATENT AND TRADEMARK OFFICE  
**CERTIFICATE OF CORRECTION**

PATENT NO. : Des. 513,701 S  
APPLICATION NO. : 29/189201  
DATED : January 24, 2006  
INVENTOR(S) : Bertucci et al.

Page 1 of 5

It is certified that error appears in the above-identified patent and that said Letters Patent is hereby corrected as shown below:

In the Drawings, Sheets "1-3" need to be replaced by Sheets --1-4--(attached), which are the correct drawings corresponding to this application.

Signed and Sealed this

Twelfth Day of June, 2007

A handwritten signature in black ink on a light gray dotted background. The signature reads "Jon W. Dudas" in a cursive style.

JON W. DUDAS

*Director of the United States Patent and Trademark Office*

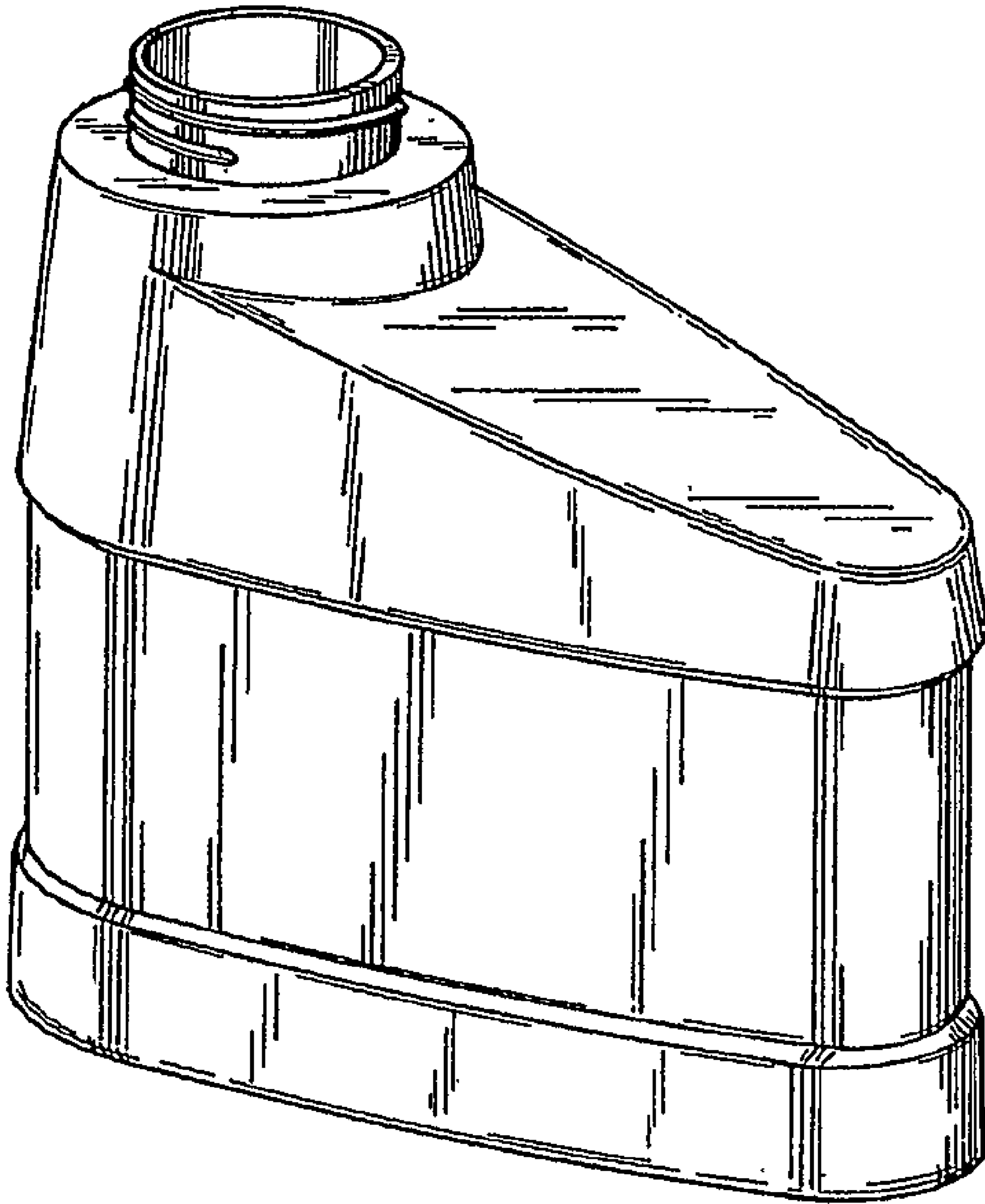


FIG. 1

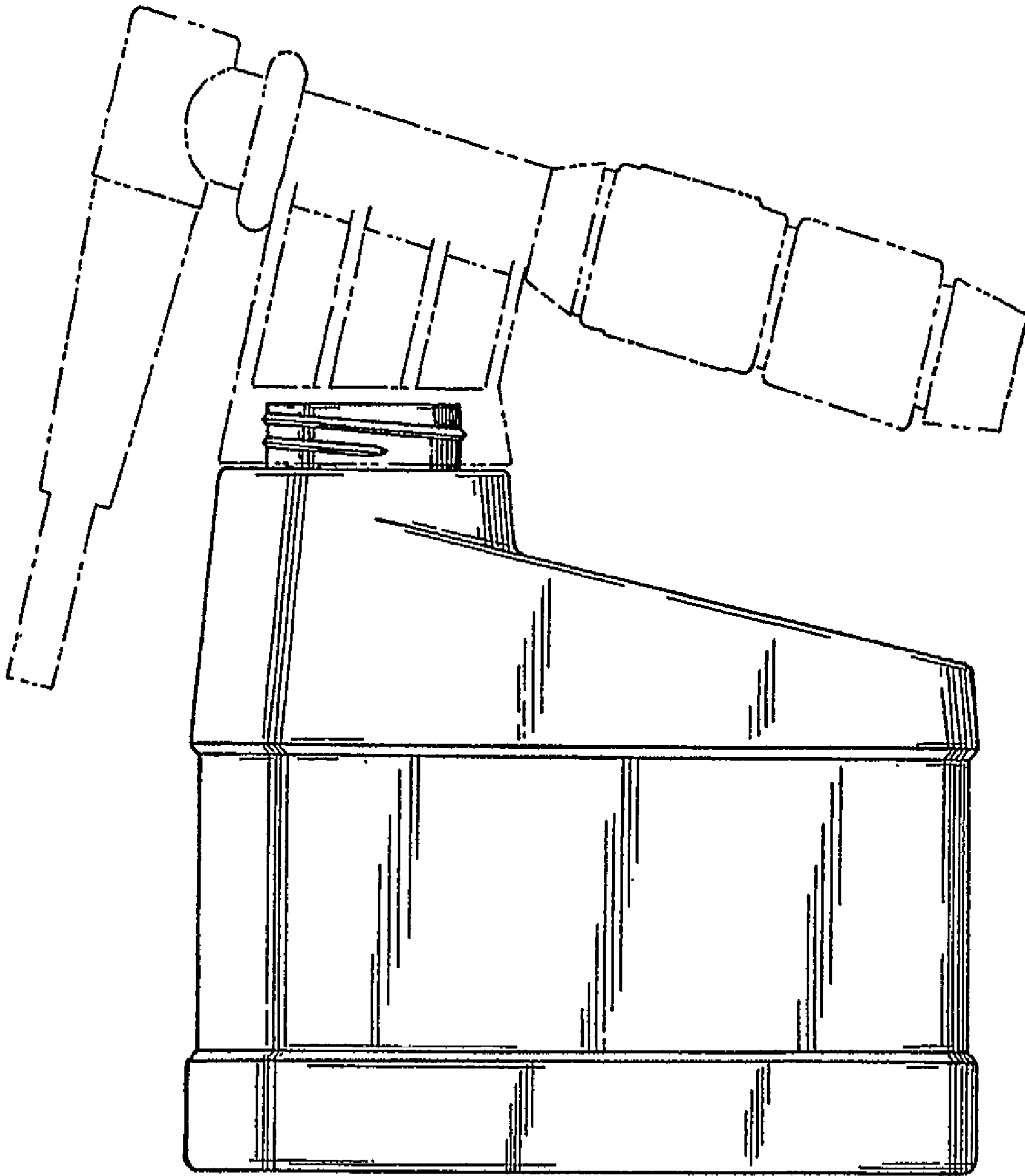


FIG. 2



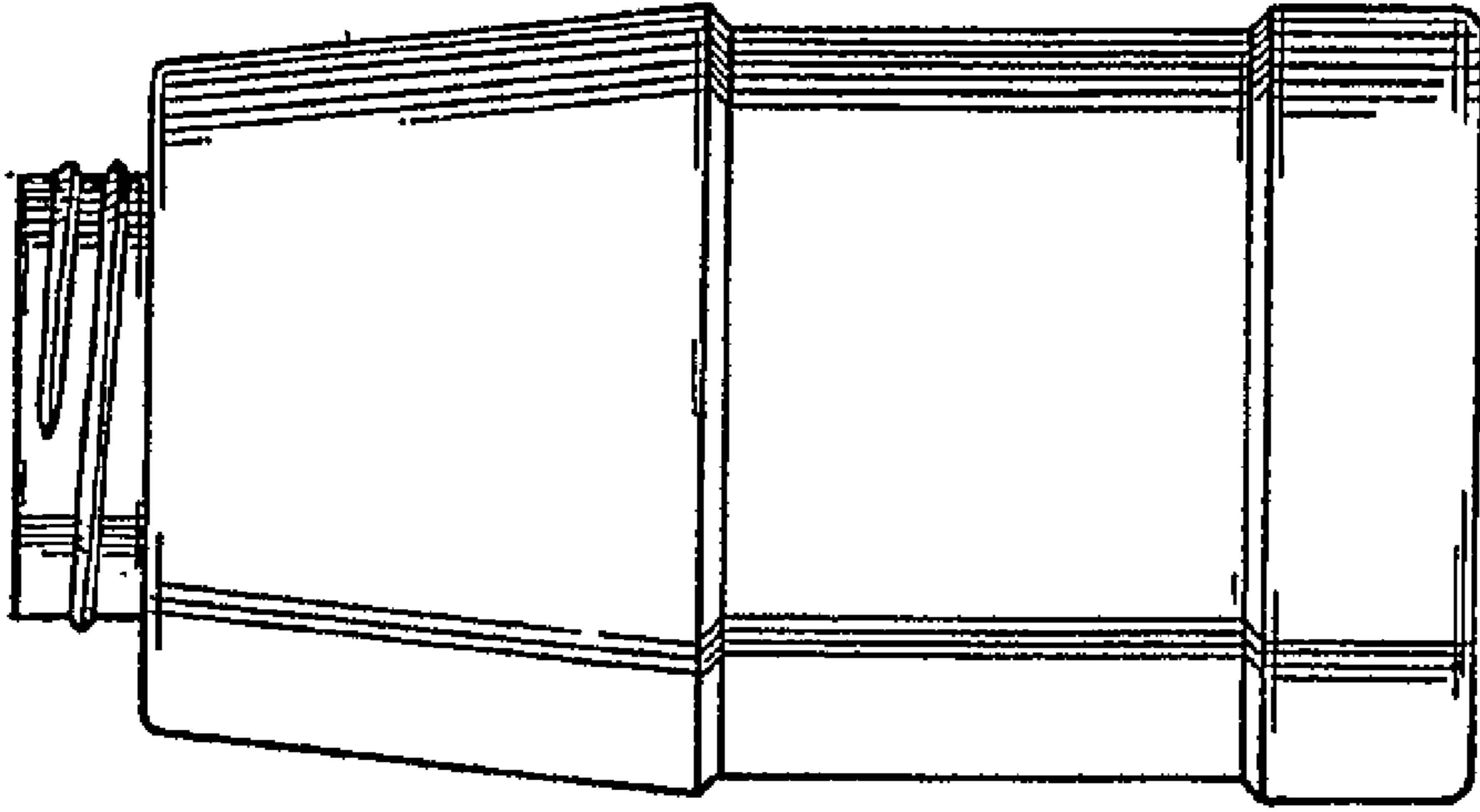


FIG. 4

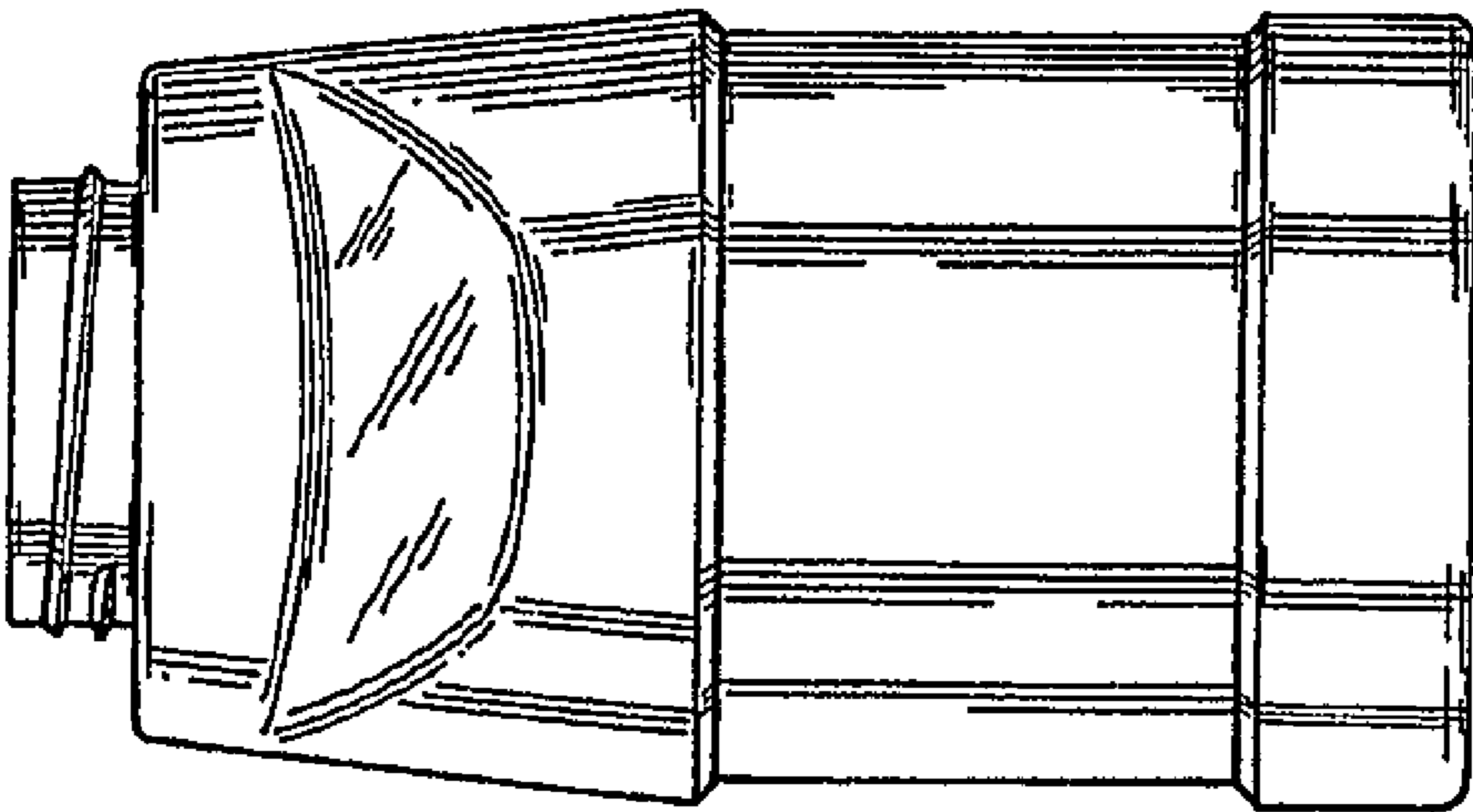


FIG. 3

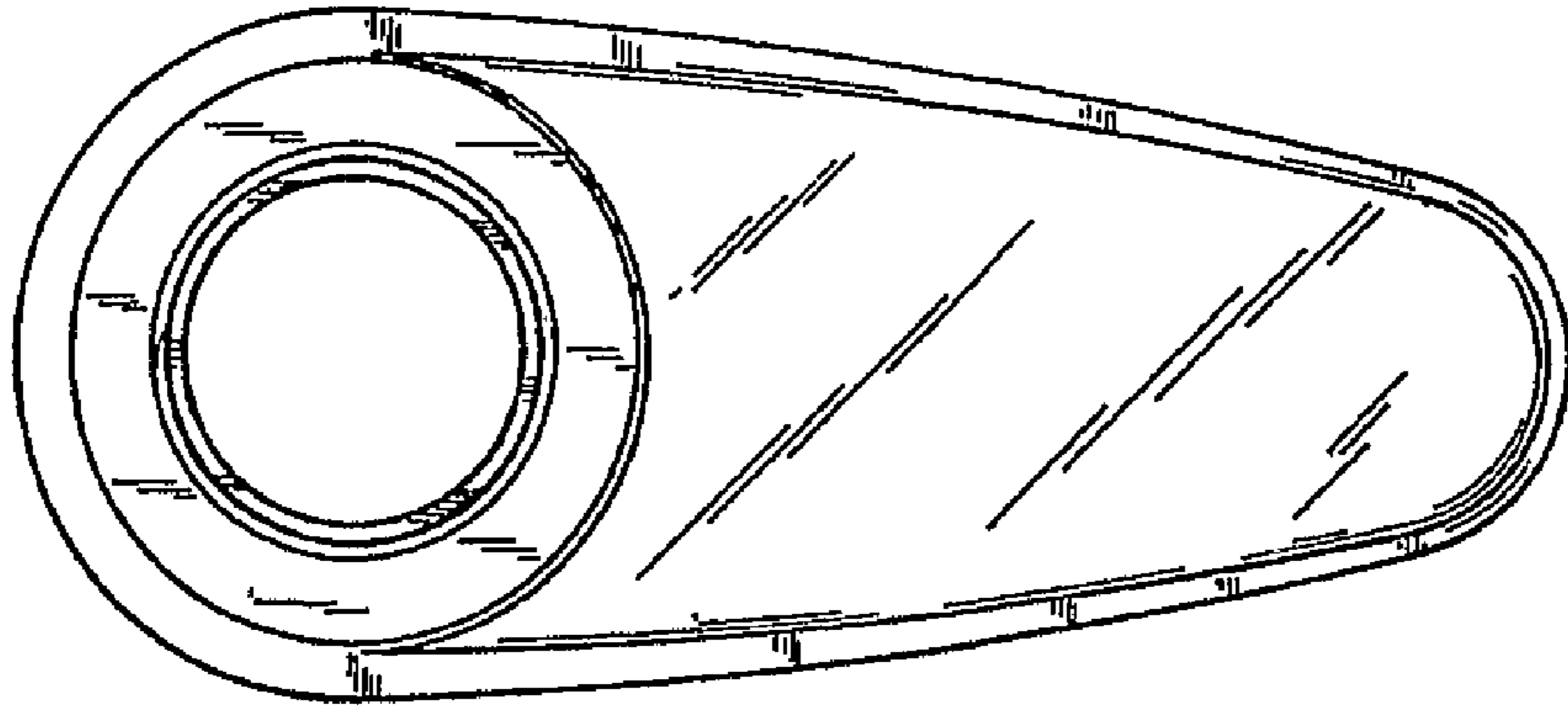


FIG. 5

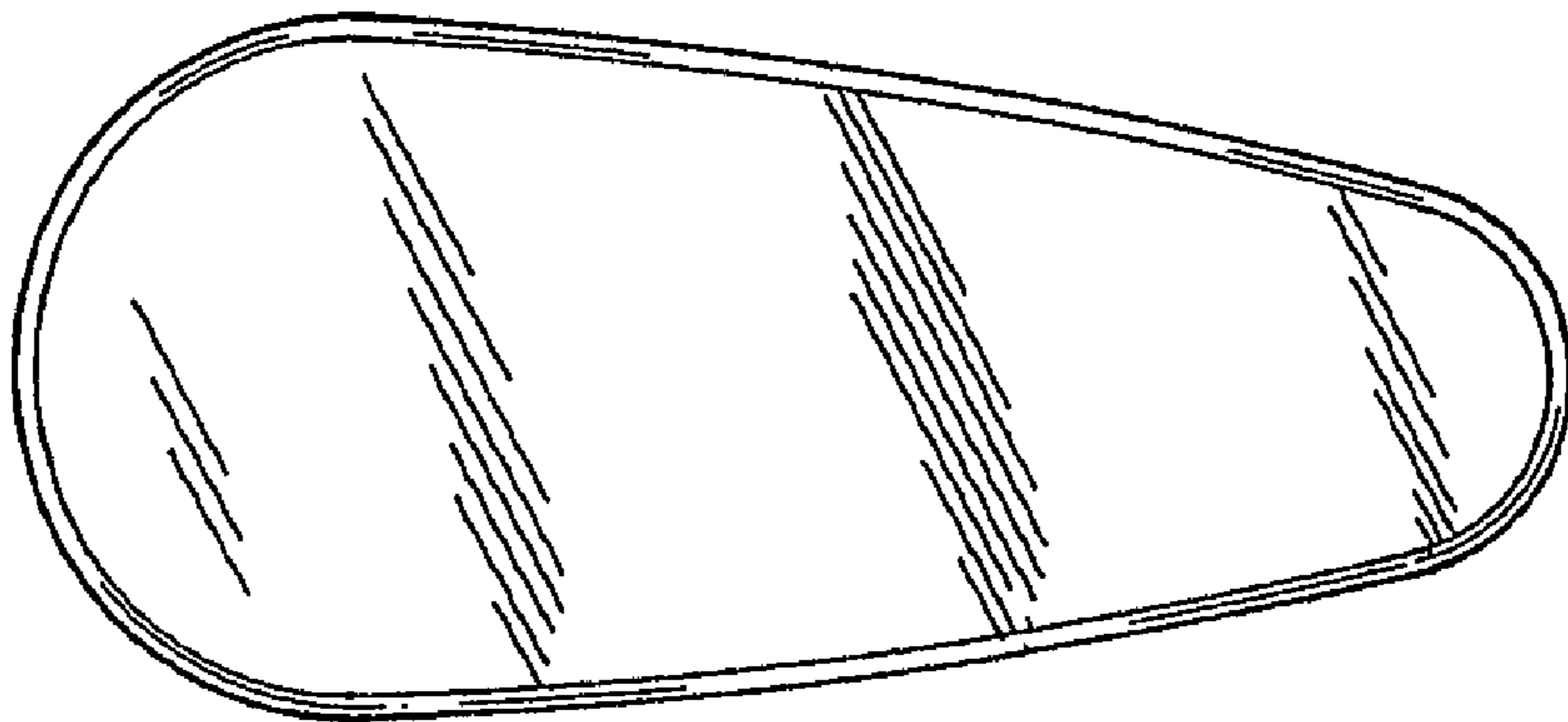


FIG. 6