



US00D513699S

(12) **United States Design Patent**
Eide

(10) **Patent No.:** **US D513,699 S**

(45) **Date of Patent:** **** Jan. 24, 2006**

(54) **SANITARY FOOT COVERING DISPENSER**

(76) **Inventor:** **Elizabeth Eide**, 5700 Camino Del Sol,
Apt. #201, Boca Raton, FL (US) 33433

(**) **Term:** **14 Years**

(21) **Appl. No.:** **29/208,674**

(22) **Filed:** **Jul. 1, 2004**

(51) **LOC (8) Cl.** **09-07**

(52) **U.S. Cl.** **D9/422; D9/418; D9/415**

(58) **Field of Classification Search** D9/414,
D9/415, 418, 422, 423, 424, 432; 206/45.26,
206/193, 197, 581, 292, 297; 221/64, 199,
221/282, 312 R, 312 C; D3/201, 243
See application file for complete search history.

(56) **References Cited**

U.S. PATENT DOCUMENTS

| | | | | | |
|-------------|---|--------|--------|-------|---------|
| 1,191,007 A | * | 7/1916 | Kassel | | 206/292 |
| 1,641,552 A | * | 9/1927 | Safir | | 206/292 |
| 2,973,857 A | * | 3/1961 | Richer | | 206/292 |
| D333,262 S | * | 2/1993 | Zogg | | D9/734 |

| | | | | | |
|-------------|---|--------|-------|-------|---------|
| 5,423,427 A | * | 6/1995 | Brown | | 206/581 |
| 5,505,297 A | * | 4/1996 | Myers | | 206/279 |
| D370,627 S | * | 6/1996 | Clark | | D9/423 |
| D391,393 S | * | 3/1998 | Chan | | D3/201 |

* cited by examiner

Primary Examiner—Prabhakar Deshmukh

(74) *Attorney, Agent, or Firm*—Gold & Rizvi, P.A.; H. John Rizvi; Glenn E. Gold

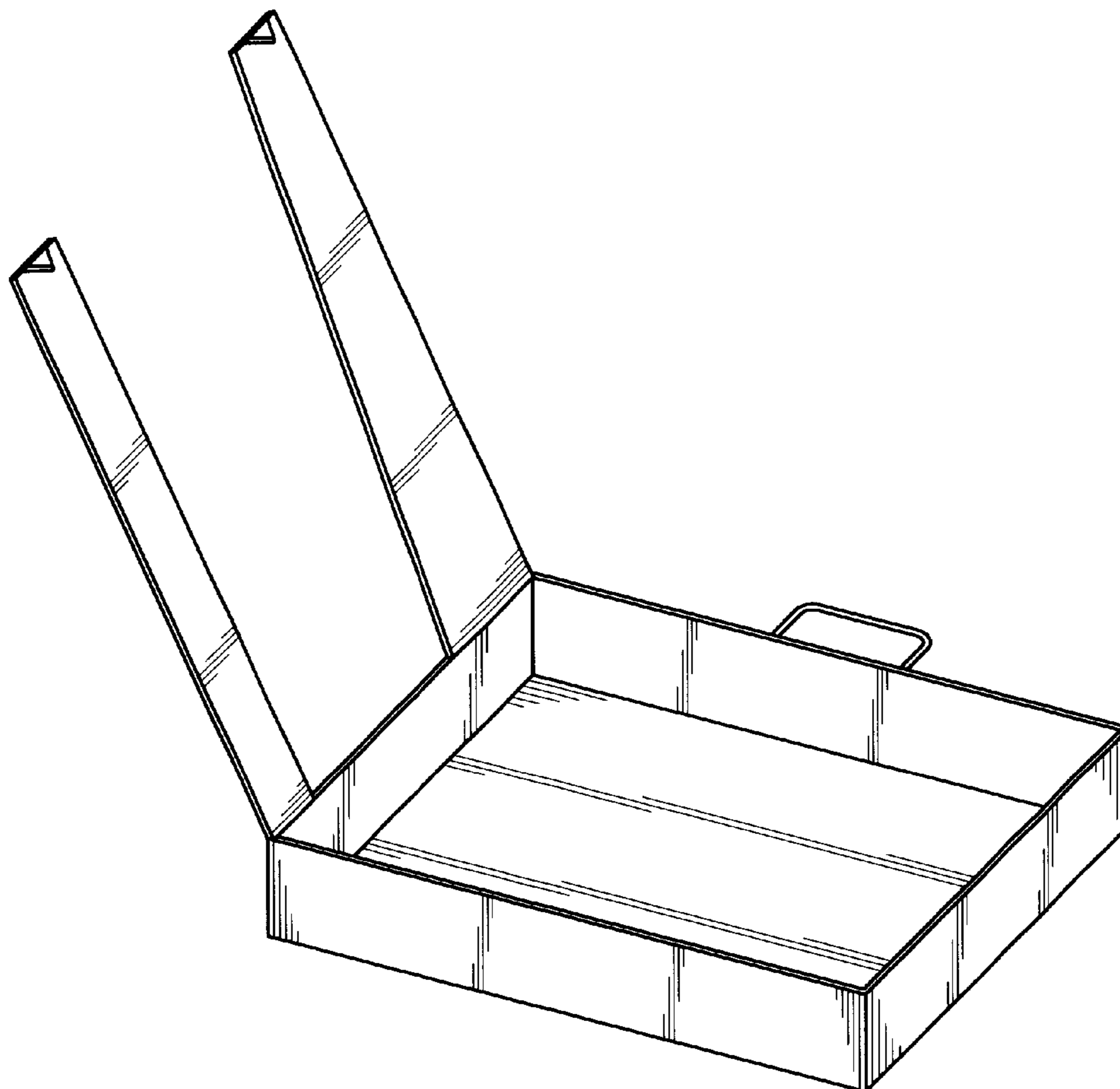
(57) **CLAIM**

I claim the ornamental design for a sanitary foot covering dispenser, as shown and described.

DESCRIPTION

FIG. 1 is a top perspective view;
FIG. 2 is a top perspective view alternate (open) position;
FIG. 3 is a left side elevation view;
FIG. 4 is a rear elevation view;
FIG. 5 is a top plan view;
FIG. 6 is a front elevation view;
FIG. 7 is a right side elevation view; and,
FIG. 8 is a bottom plan view.

1 Claim, 2 Drawing Sheets



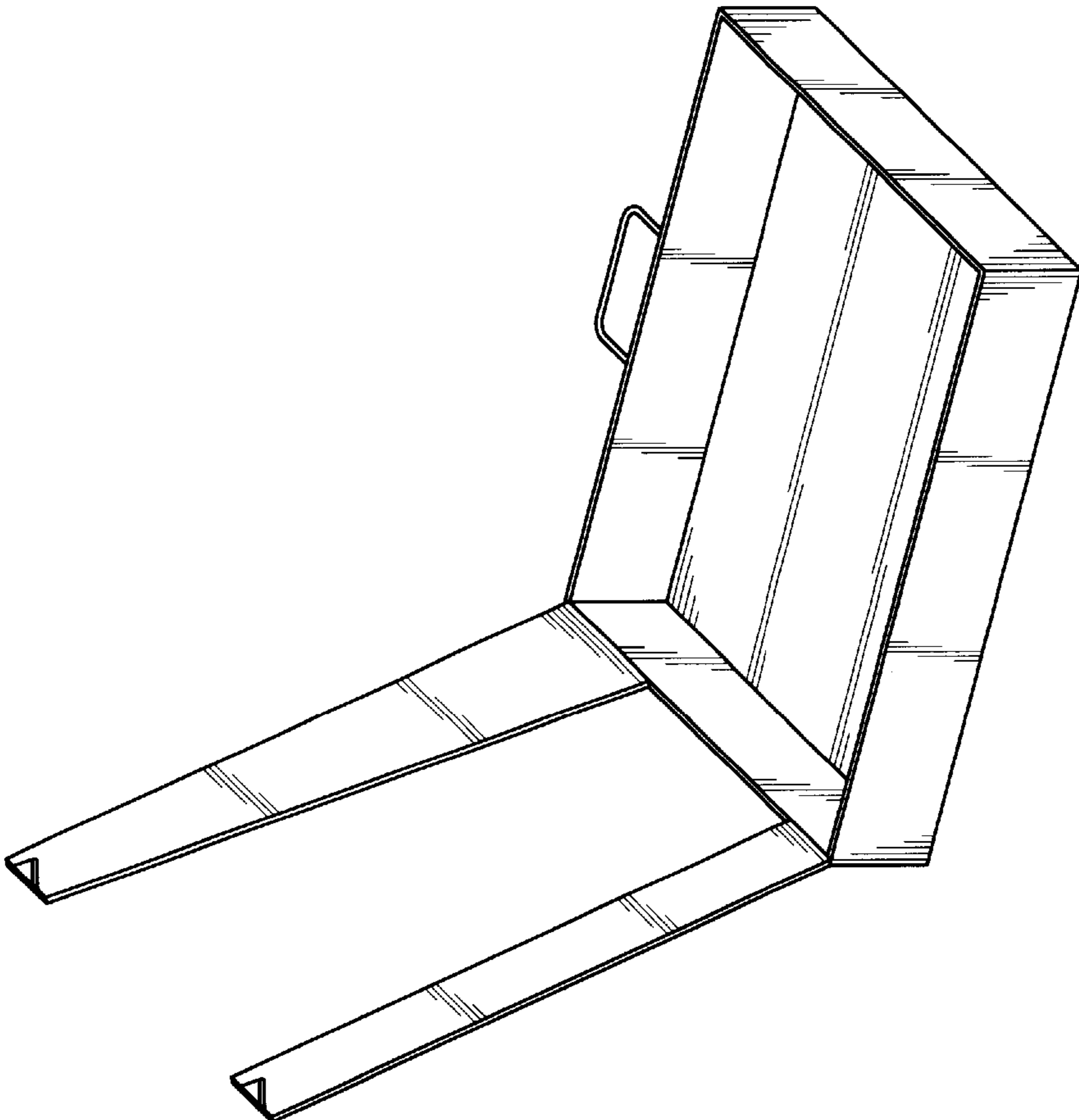


FIG. 1

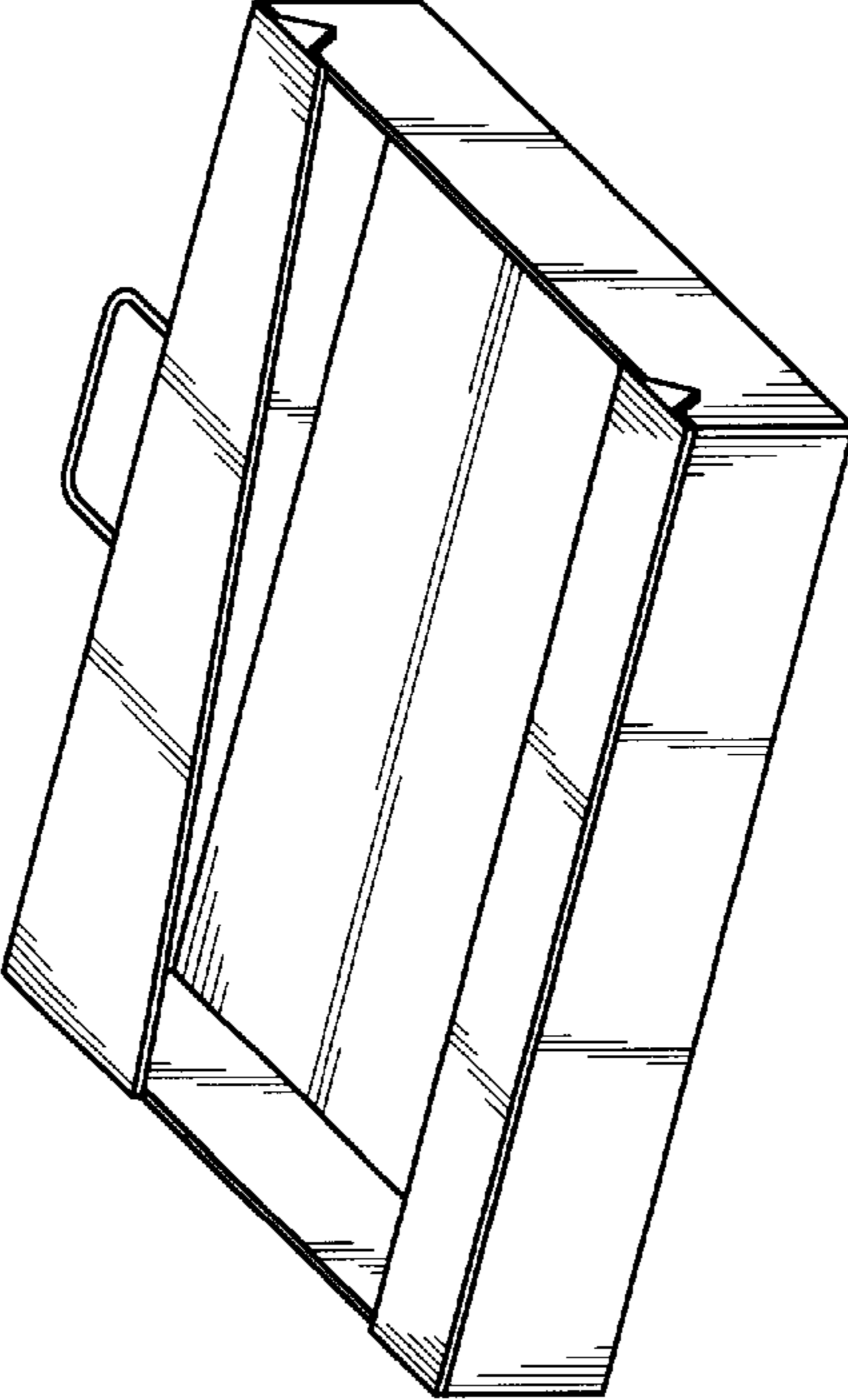


FIG. 2

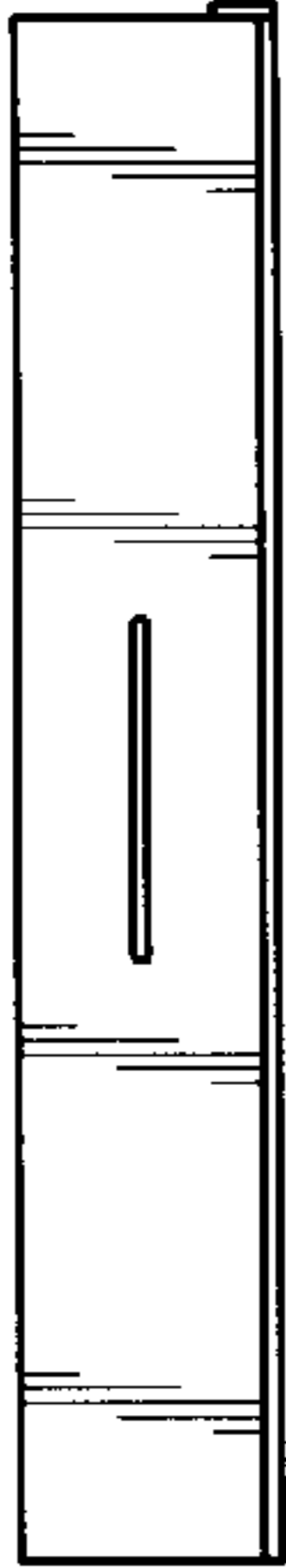


FIG. 4



FIG. 3

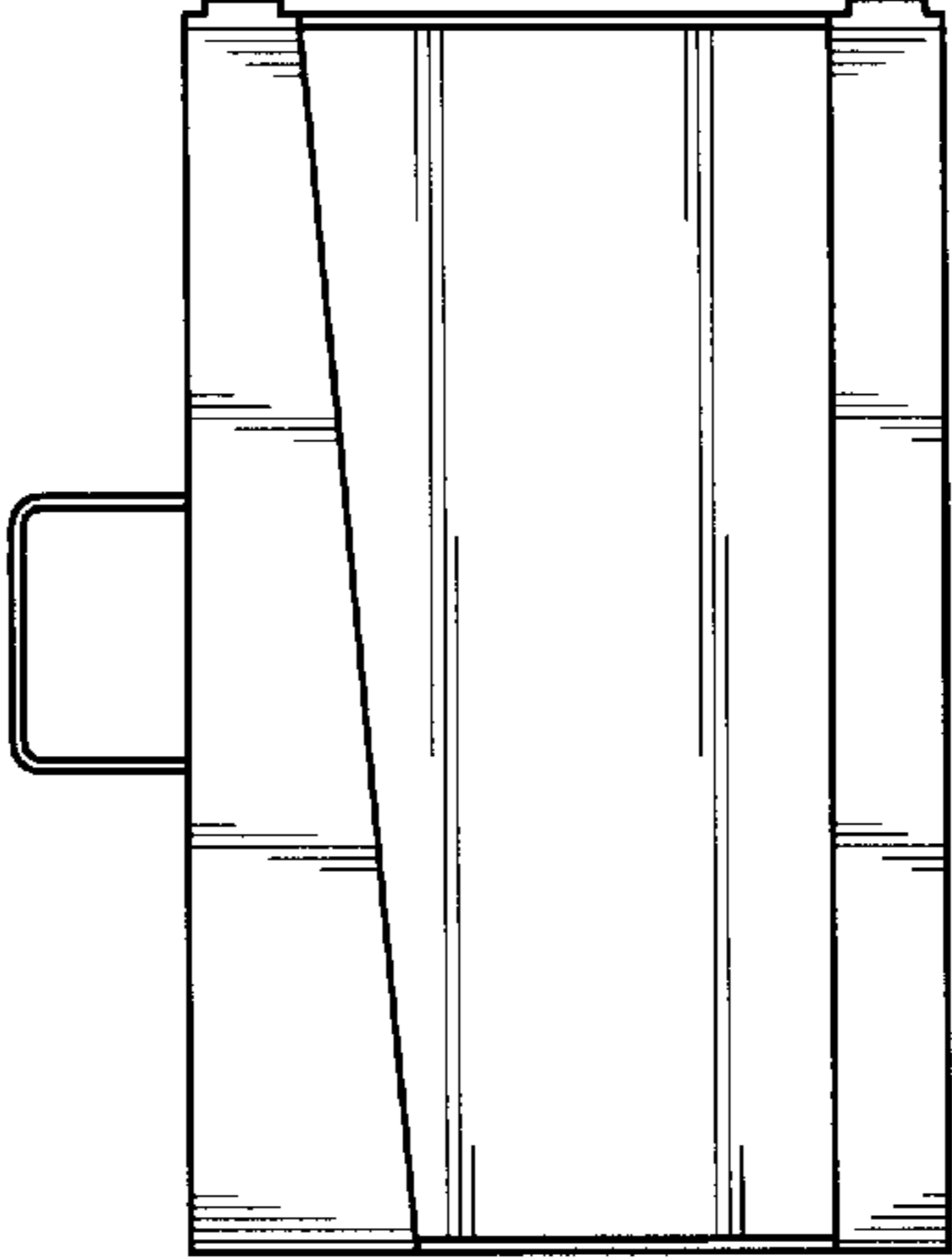


FIG. 5



FIG. 7

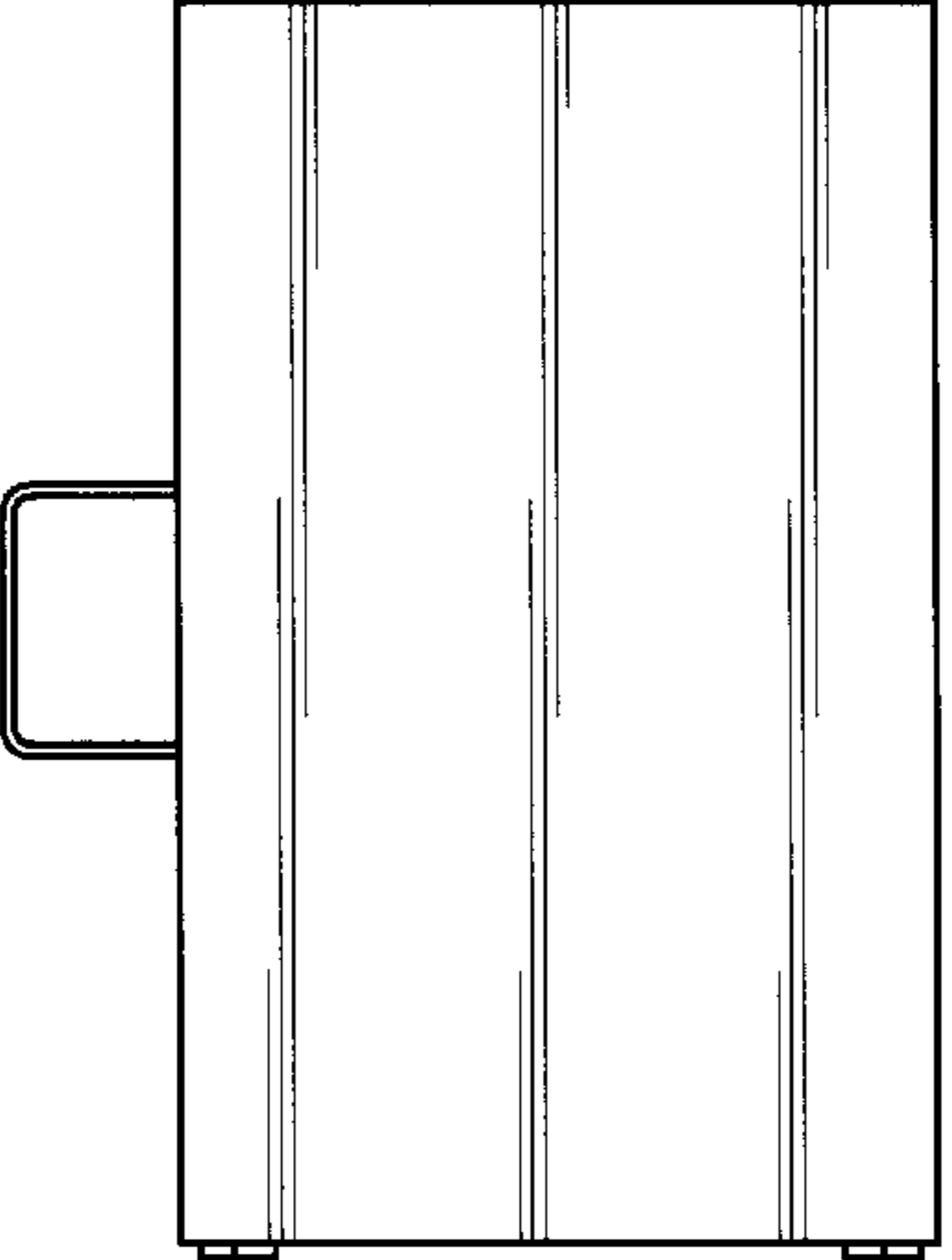


FIG. 8

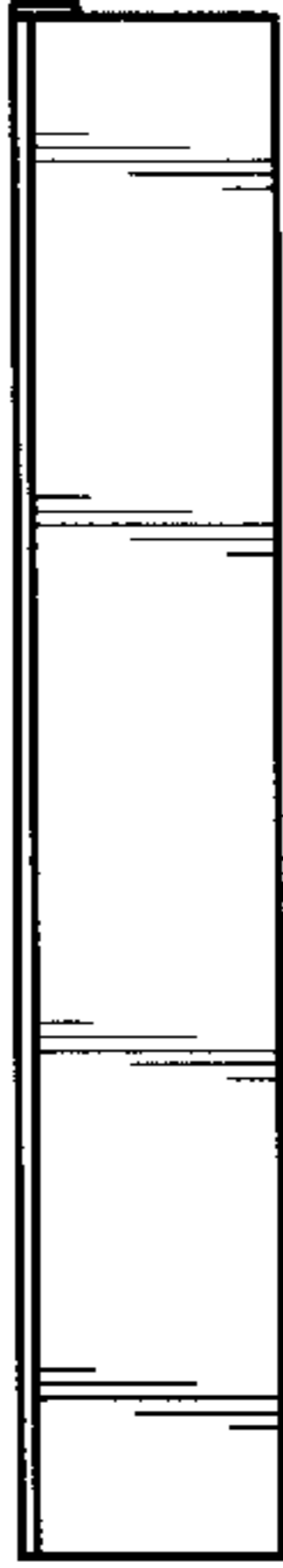


FIG. 6