



US00D513694S

(12) **United States Design Patent**
Vitkauskas

(10) **Patent No.:** **US D513,694 S**
(45) **Date of Patent:** **** Jan. 24, 2006**

(54) **HARDWARE FIXTURE**

(76) Inventor: **Lorraine Vitkauskas**, 5838 SE.
Holgate Blvd., Portland, OR (US)
97206

(**) Term: **14 Years**

(21) Appl. No.: **29/216,910**

(22) Filed: **Nov. 9, 2004**

(51) **LOC (8) Cl.** **08-03**

(52) **U.S. Cl.** **D8/300; D8/315**

(58) **Field of Classification Search** D8/300,
D8/302, 305, 307, 312, 314-320, 338, 499;
16/110.1, 110 R, 436, DIG. 40, DIG. 18-19
See application file for complete search history.

(56) **References Cited**

U.S. PATENT DOCUMENTS

D66,318 S	*	12/1924	Baker	D8/316
D185,541 S	*	6/1959	Finkelstein	D8/306
D194,968 S	*	4/1963	Stelma	D8/317
D308,559 S	*	6/1990	Beck	D21/684
D312,380 S	*	11/1990	Kim	D8/316
D338,608 S	*	8/1993	Martin et al.	D8/302
D369,083 S	*	4/1996	Tallman	D8/300
D431,444 S	*	10/2000	Short	D8/316

* cited by examiner

Primary Examiner—Stella Reid
Assistant Examiner—Jean E. McCormick
(74) *Attorney, Agent, or Firm*—Olson & Olson

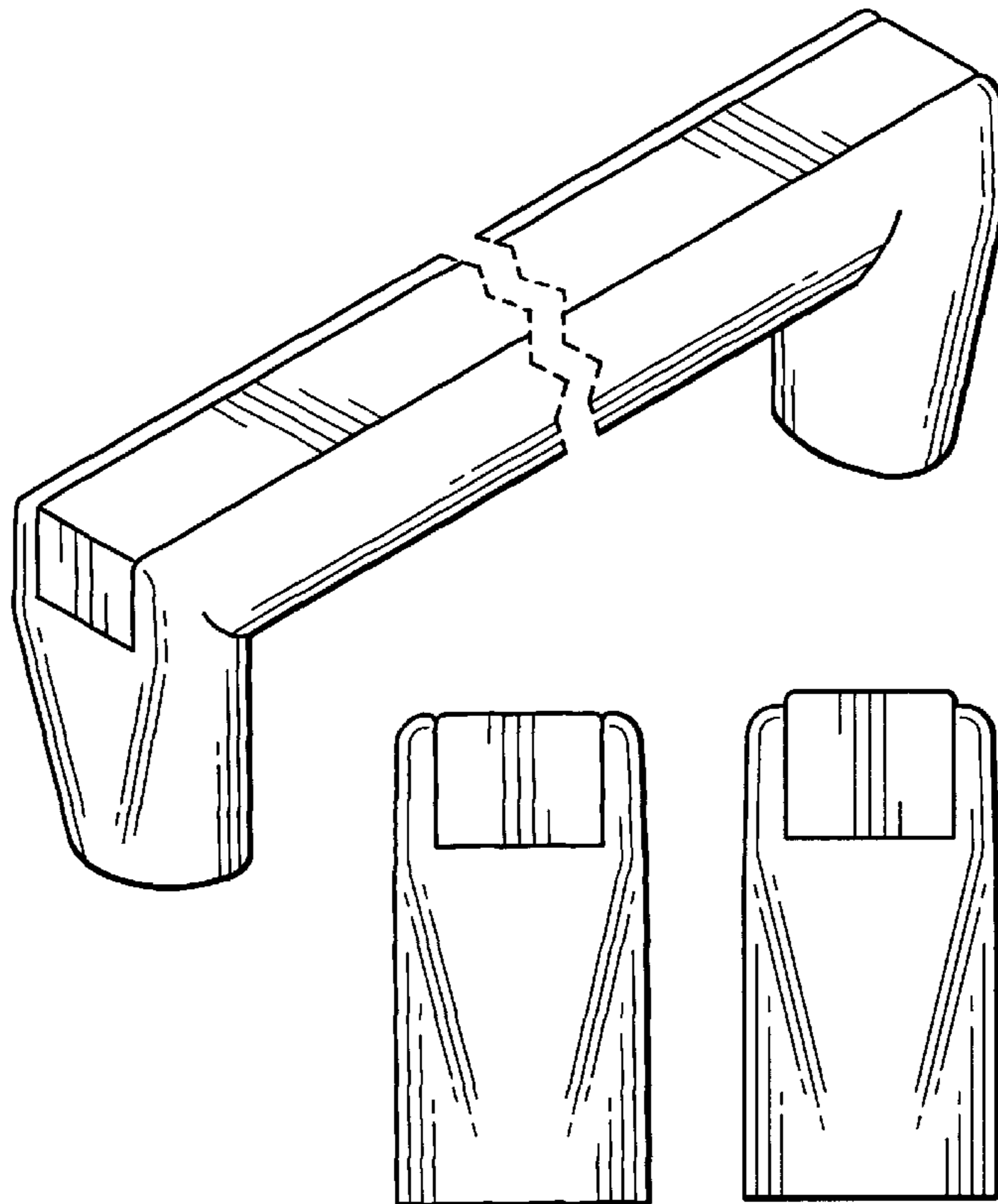
(57) **CLAIM**

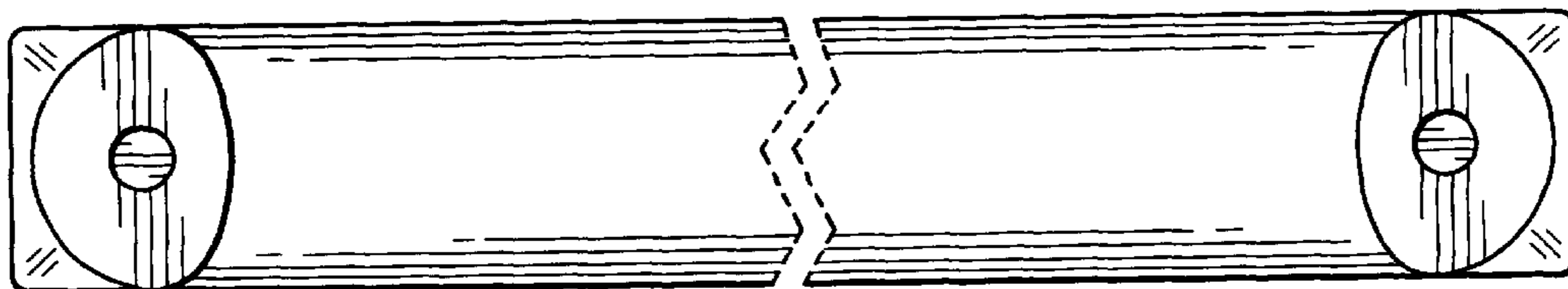
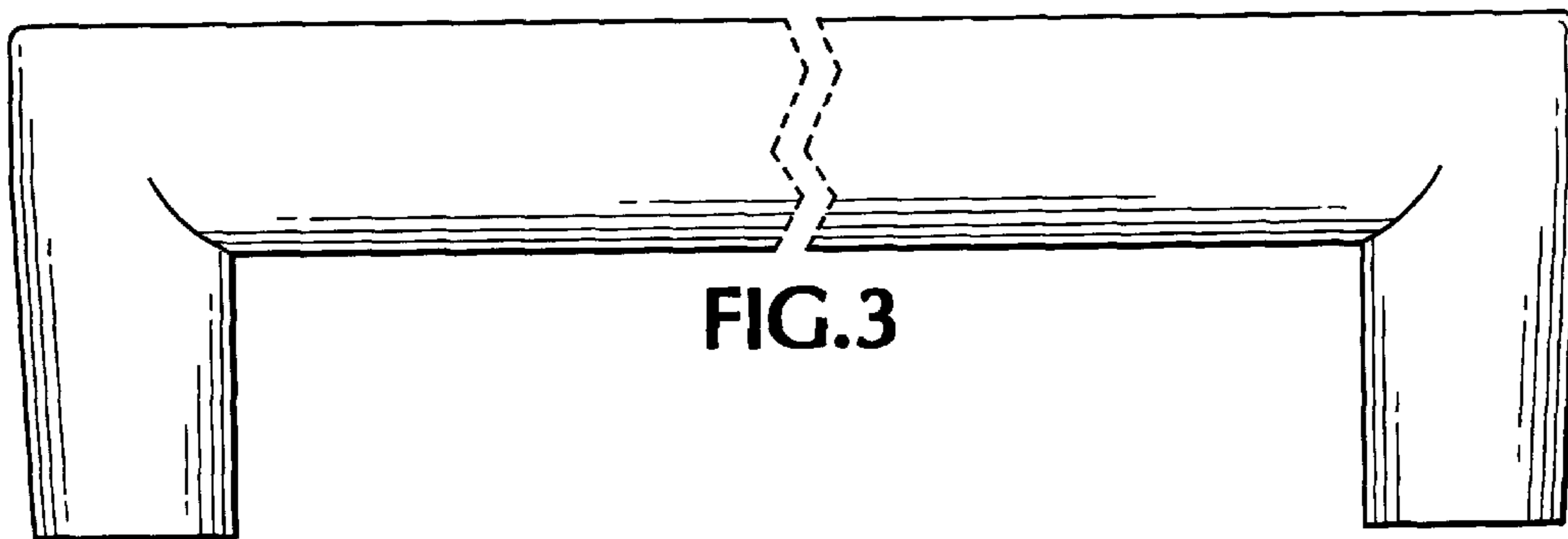
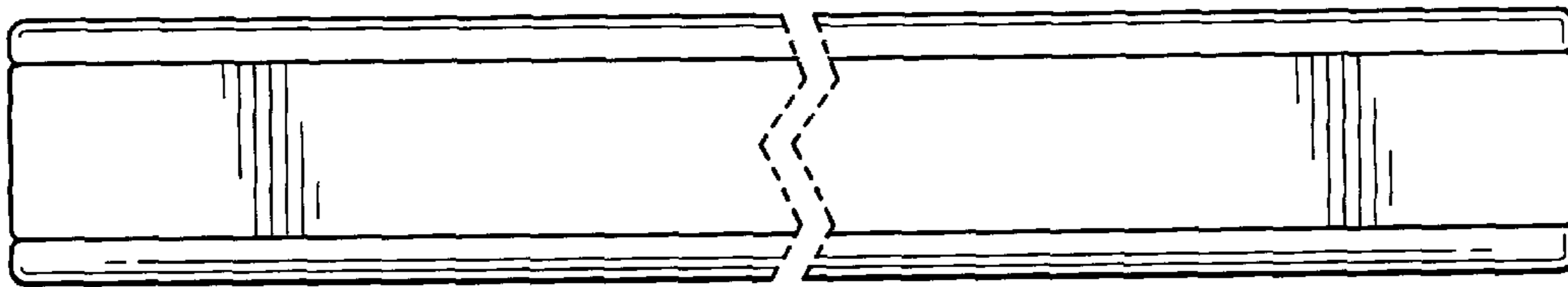
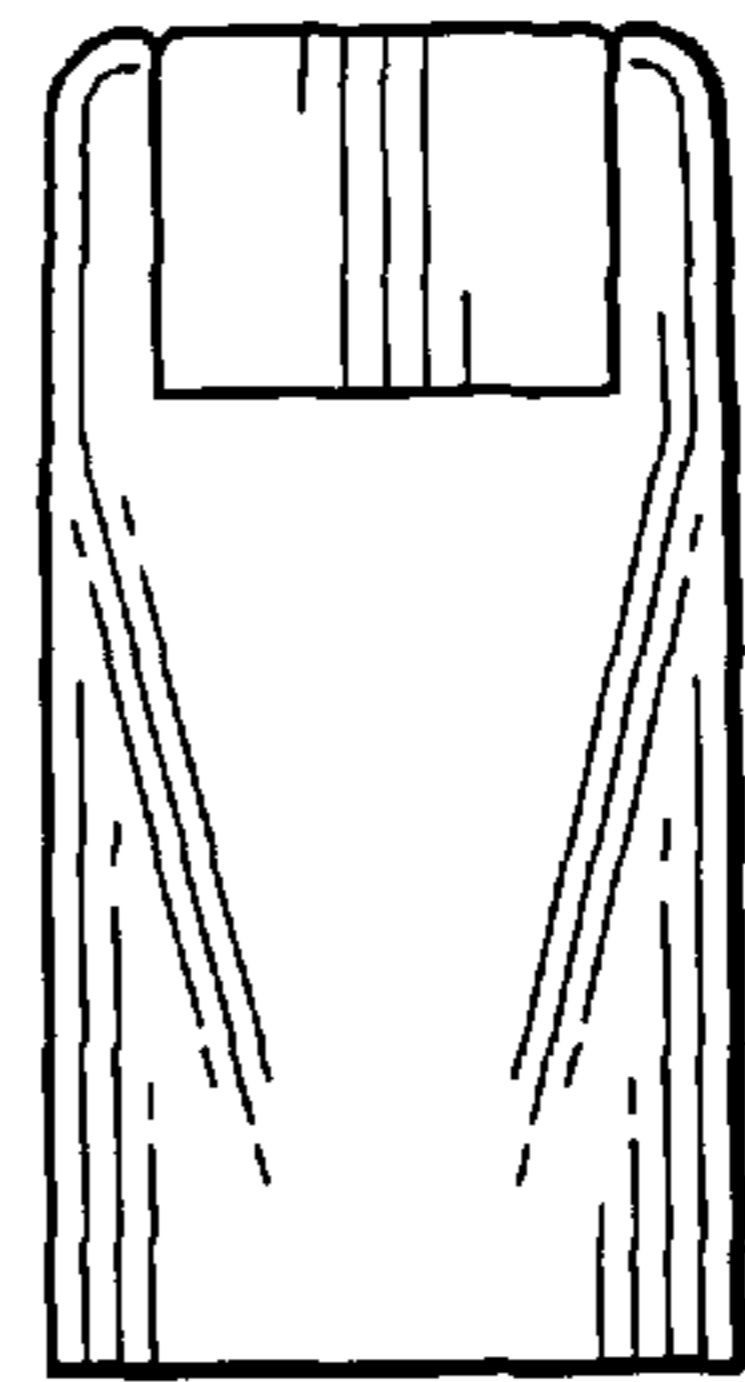
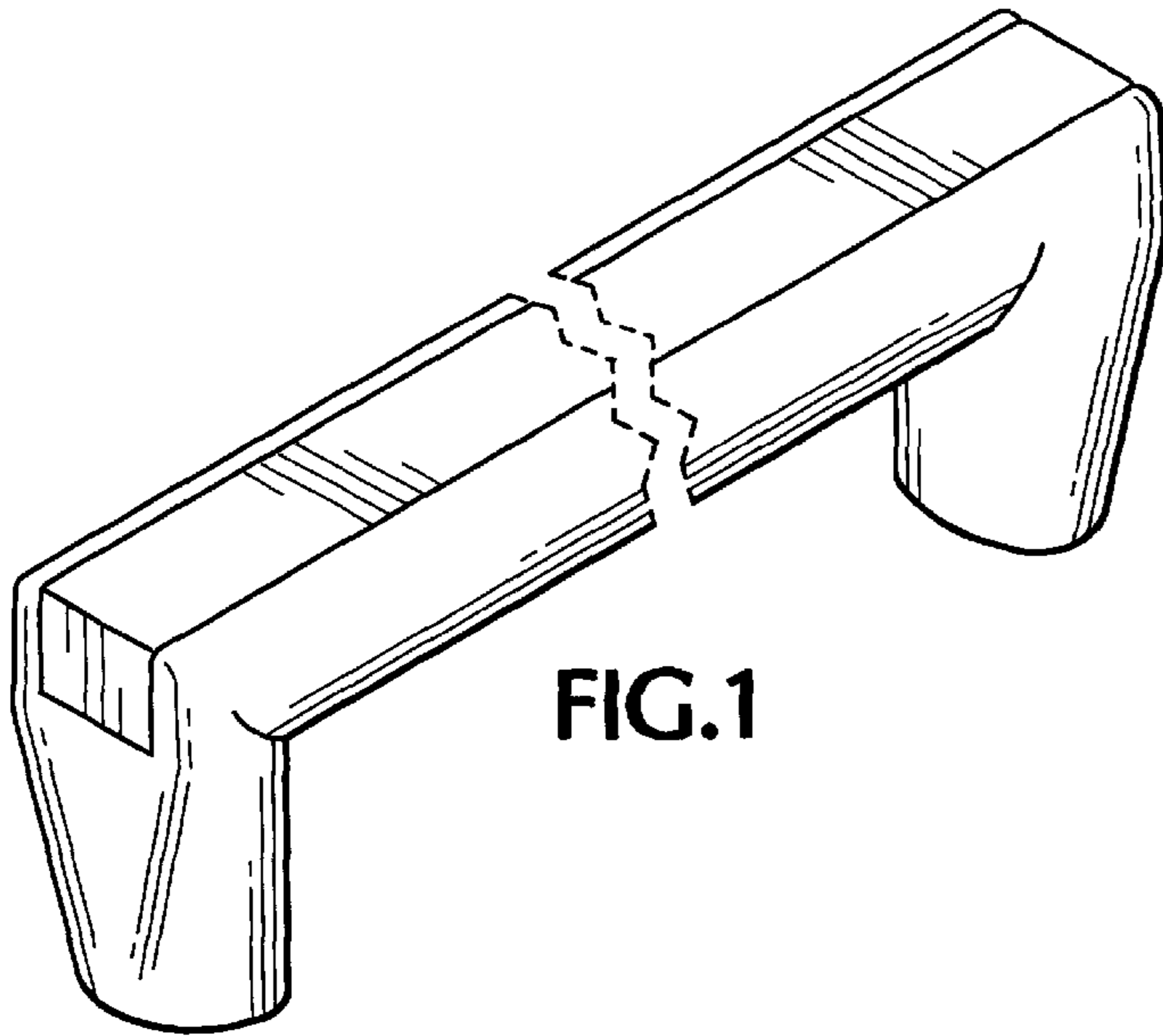
The ornamental design for a hardware fixture, as shown and described.

DESCRIPTION

FIG. 1 is a top perspective view of a hardware fixture showing my new design;
FIG. 2 is a top plan view thereof;
FIG. 3 is a side elevational view thereof, the opposite side being a mirror image thereof;
FIG. 4 is a bottom plan view thereof;
FIG. 5 is an end elevational view thereof, the opposite end being a mirror image thereof;
FIG. 6 is a top perspective view of the hardware fixture shown in FIG. 1, the only difference being the slightly raised upper surface of the center insert;
FIG. 7 is top plan view thereof;
FIG. 8 is a side elevational view thereof, the opposite side being a mirror image thereof;
FIG. 9 is a bottom plan view thereof; and,
FIG. 10 is an end elevational view thereof, with the opposite end being a mirror image thereof.
The broken away portion in FIGS. 1-9 has been shown to indicate indeterminate length.

1 Claim, 2 Drawing Sheets





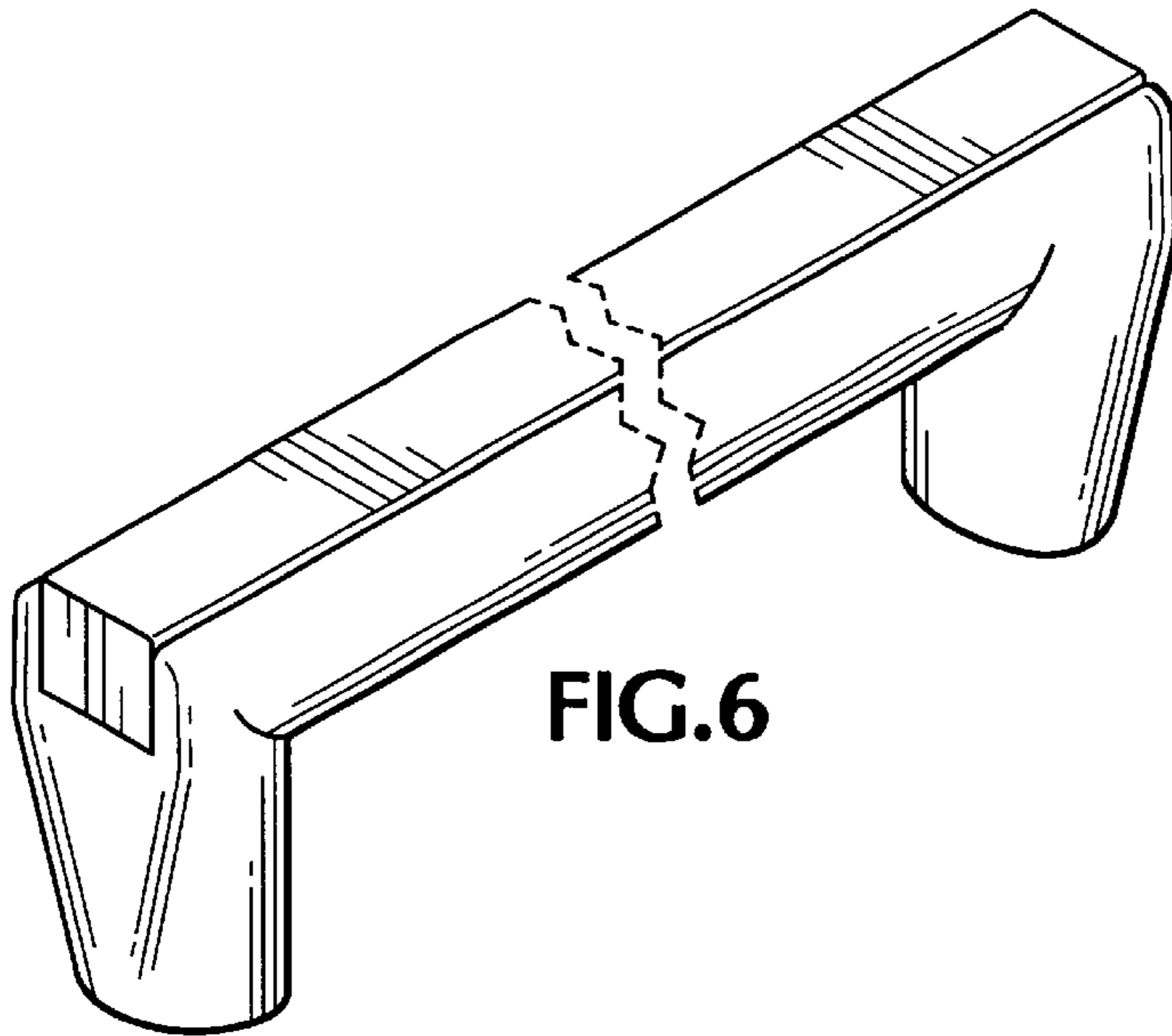


FIG. 6

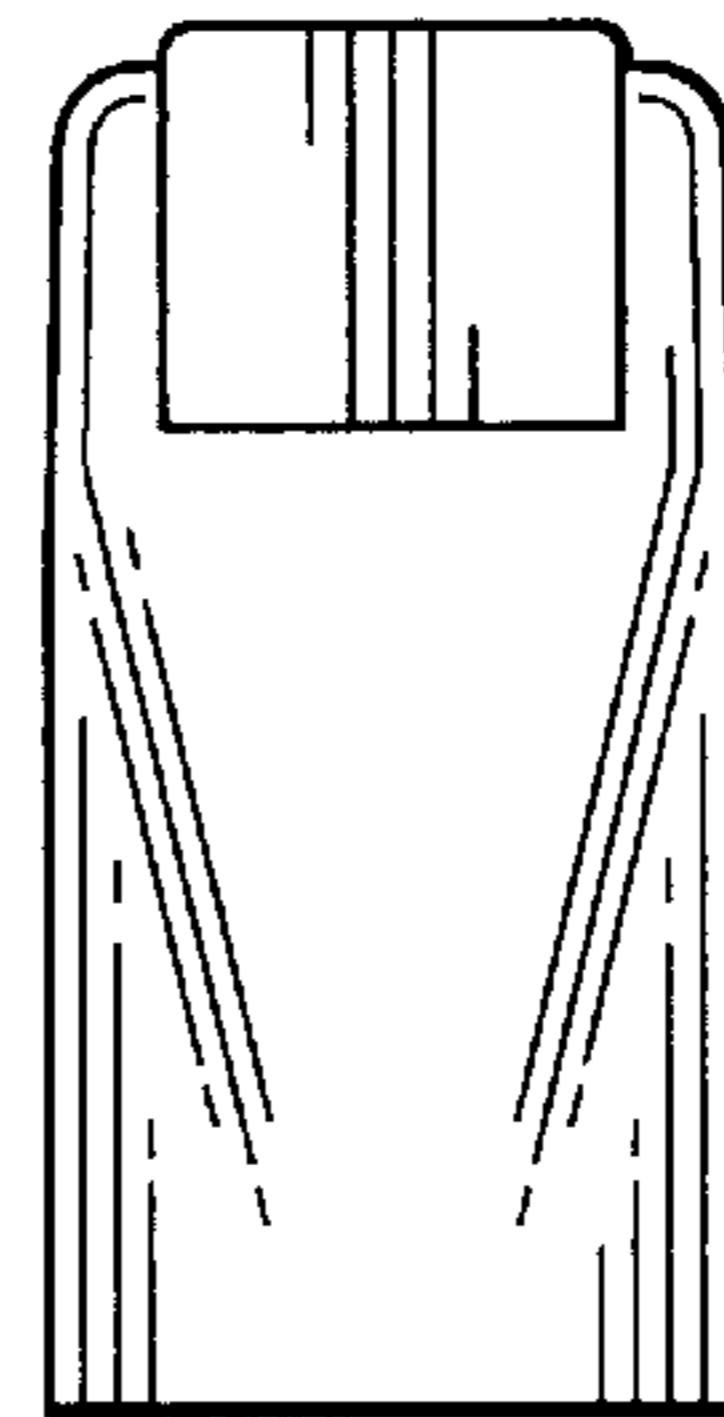


FIG. 10

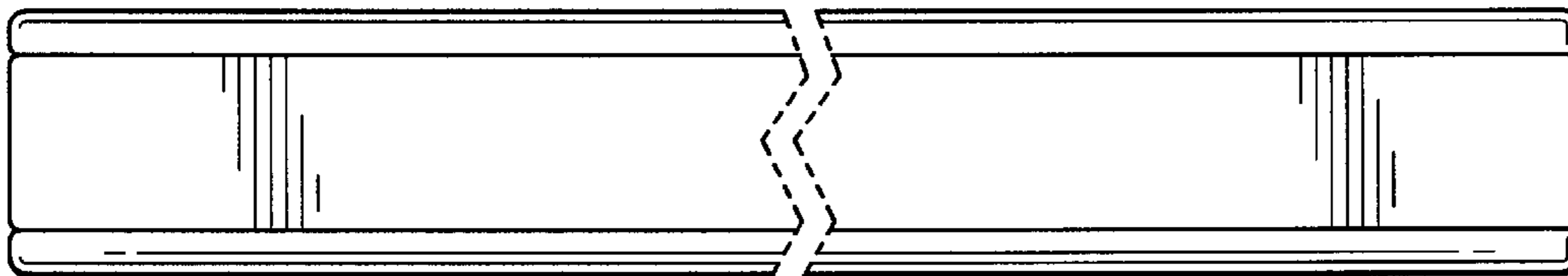


FIG. 7

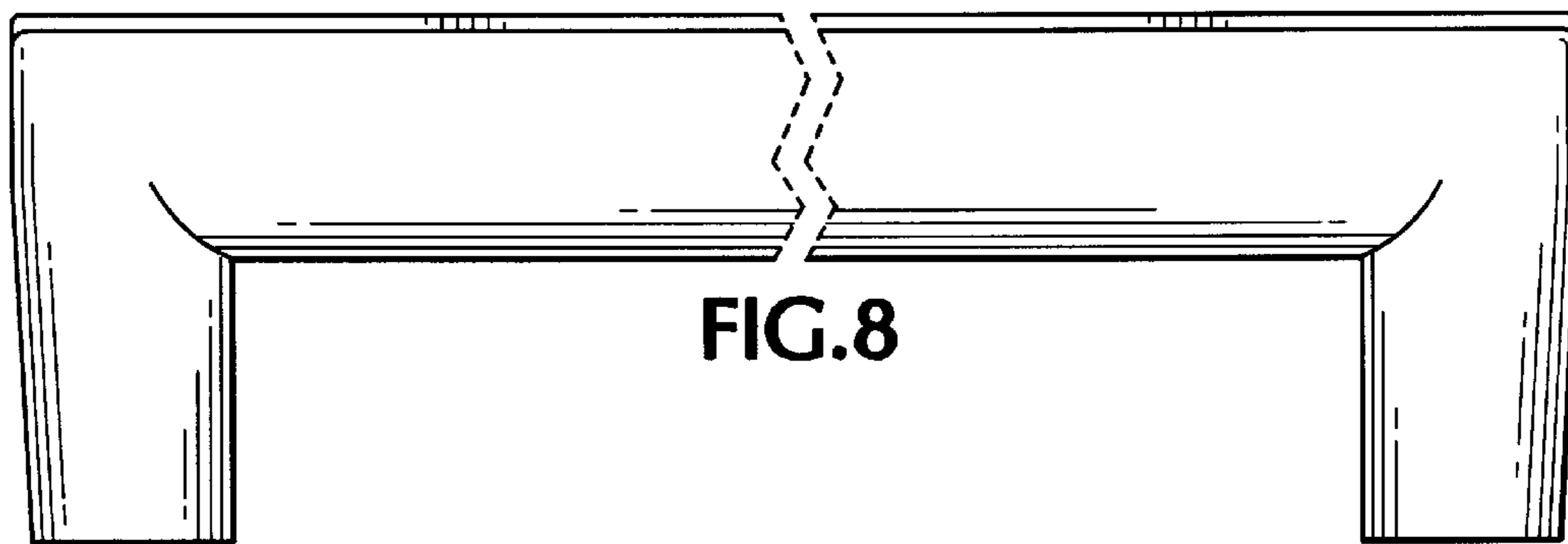


FIG. 8

FIG. 9

