

US00D513692S

(12) **United States Design Patent**
Baker et al.

(10) **Patent No.:** **US D513,692 S**
(45) **Date of Patent:** **** Jan. 24, 2006**

(54) **RIGHT ANGLE ATTACHMENT FOR
ROTARY TOOL**

(75) Inventors: **Timothy D. Baker**, Roselle, IL (US);
Bradley Wolf, Glenview, IL (US);
Jason S. Lind, Barkhamsted, CT (US)

(73) Assignee: **Credo Technology Corporation**,
Broadview, IL (US)

(**) Term: **14 Years**

(21) Appl. No.: **29/210,515**

(22) Filed: **Jul. 30, 2004**

(51) **LOC (8) Cl.** **08-05**

(52) **U.S. Cl.** **D8/70**

(58) **Field of Classification Search** D8/61-70;
D15/138-140; 16/426; 30/388-291; 81/54,
81/57, 57.11, 57.39, 57.3, 57.42; 173/164,
173/169, 170, 213, 216-217; 408/240; 451/344,
451/357-9

See application file for complete search history.

(56) **References Cited**

U.S. PATENT DOCUMENTS

4,891,915	A	*	1/1990	Yasuda	D8/62
D332,559	S	*	1/1993	Miyoshi et al.	D8/62
5,766,062	A	*	6/1998	Edling	451/359
D408,244	S	*	4/1999	Price	D8/62
5,974,674	A	*	11/1999	Kelly	30/390
D433,906	S	*	11/2000	Heun	D8/62
D439,124	S	*	3/2001	Duennes	D8/70
D439,819	S	*	4/2001	Bass et al.	D8/70
D449,502	S	*	10/2001	Fraser et al.	D8/62

D450,989	S	*	11/2001	Schoen	D8/62
D468,179	S	*	1/2003	Hayakawa et al.	D8/62
6,527,630	B2	*	3/2003	Mannsperger et al.	451/358
D479,452	S	*	9/2003	Cho	D8/62
D479,969	S	*	9/2003	Robson et al.	D8/62
D500,945	S	*	1/2005	Wright	D8/62
6,872,121	B2	*	3/2005	Wiesner et al.	451/358
2004/0203330	A1	*	10/2004	Kleider	451/359
2005/0044728	A1	*	3/2005	Baker	30/390
2005/0048884	A1	*	3/2005	Baker	451/358

* cited by examiner

Primary Examiner—Gary D. Watson

Assistant Examiner—T. Chase Nelson

(74) *Attorney, Agent, or Firm*—Victor A. Henzi

(57) **CLAIM**

The ornamental design for a right angle attachment for rotary tool, as shown and described.

DESCRIPTION

FIG. 1 is a front right perspective view of the present new design for a right angle attachment for rotary tool; FIG. 2 is a left elevational view thereof; FIG. 3 is a right elevational view thereof; FIG. 4 is a top plan view thereof; FIG. 5 is a bottom plan view thereof; FIG. 6 is front elevational view thereof; and, FIG. 7 is a rear elevational view thereof.

The broken lines showing various features of a right angle attachment for rotary tool are for illustrative purposes only and form no part of the claimed design.

1 Claim, 7 Drawing Sheets

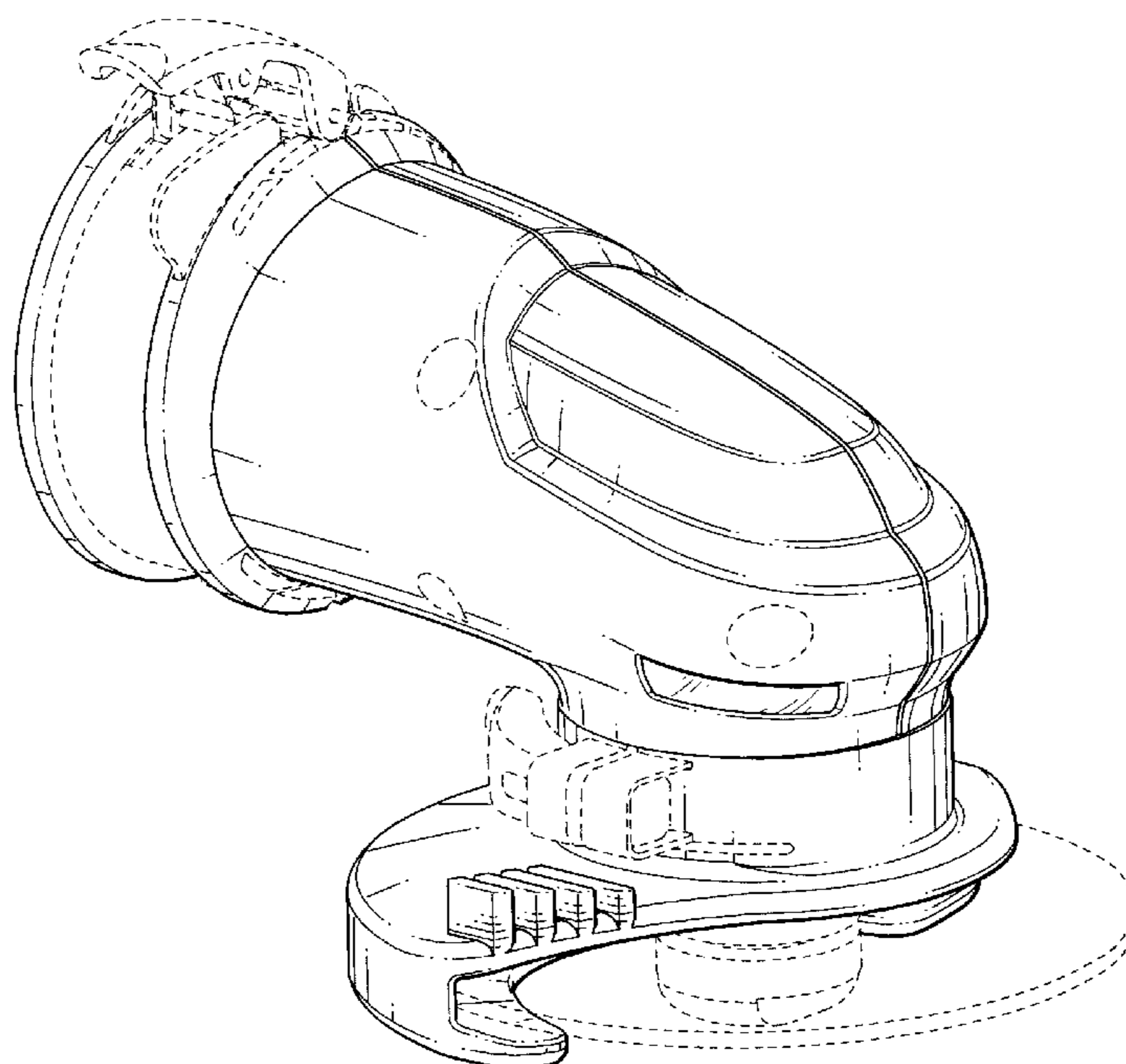
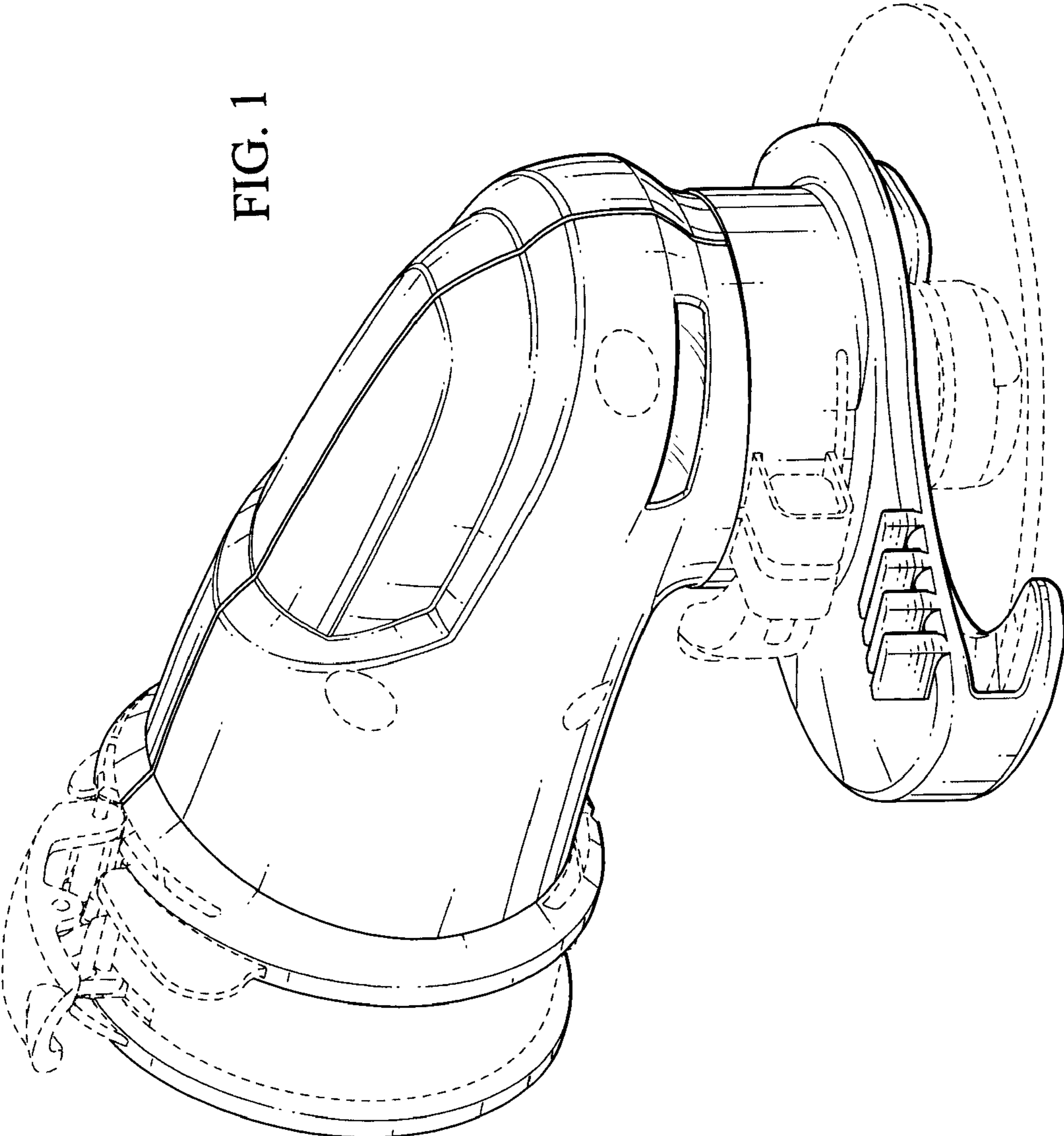


FIG. 1



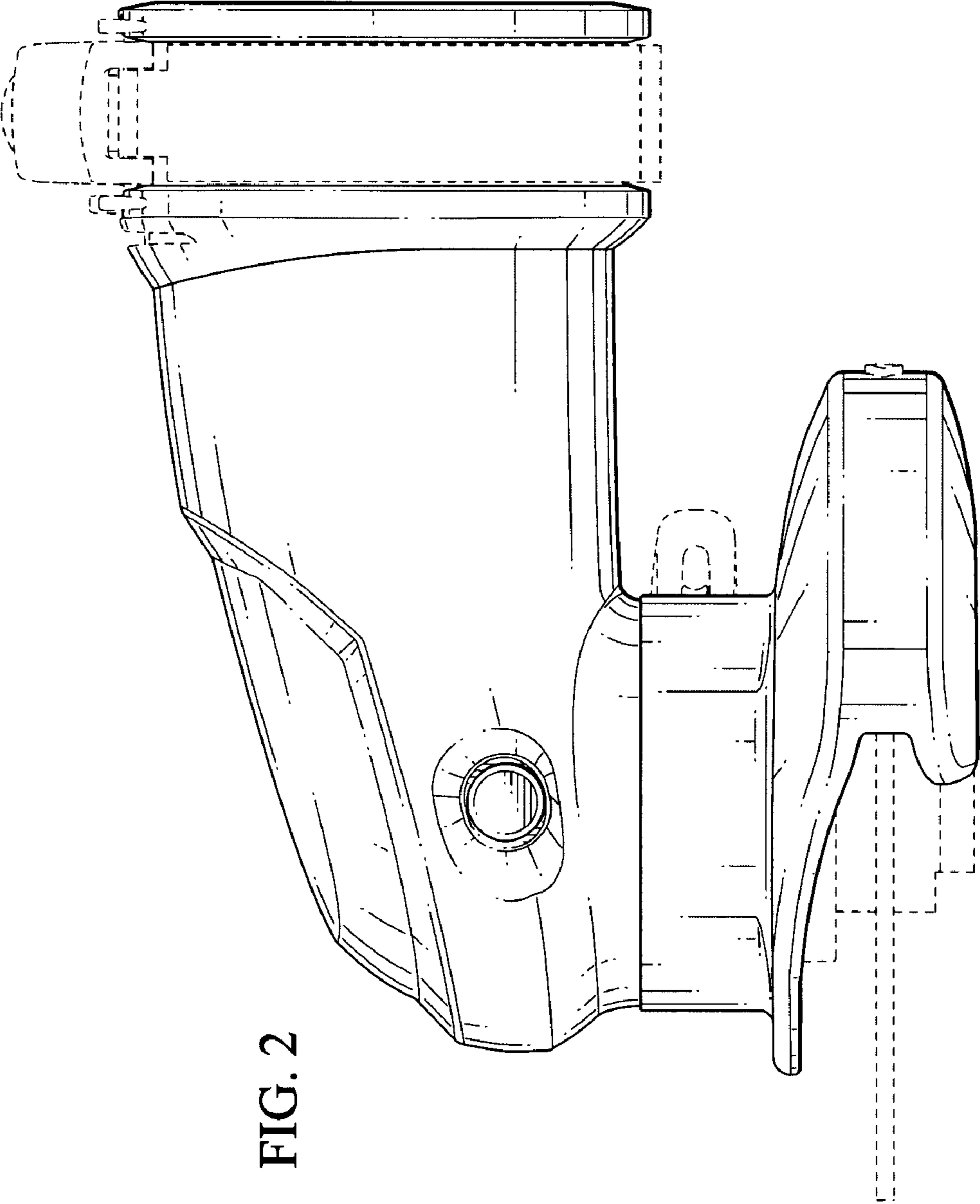
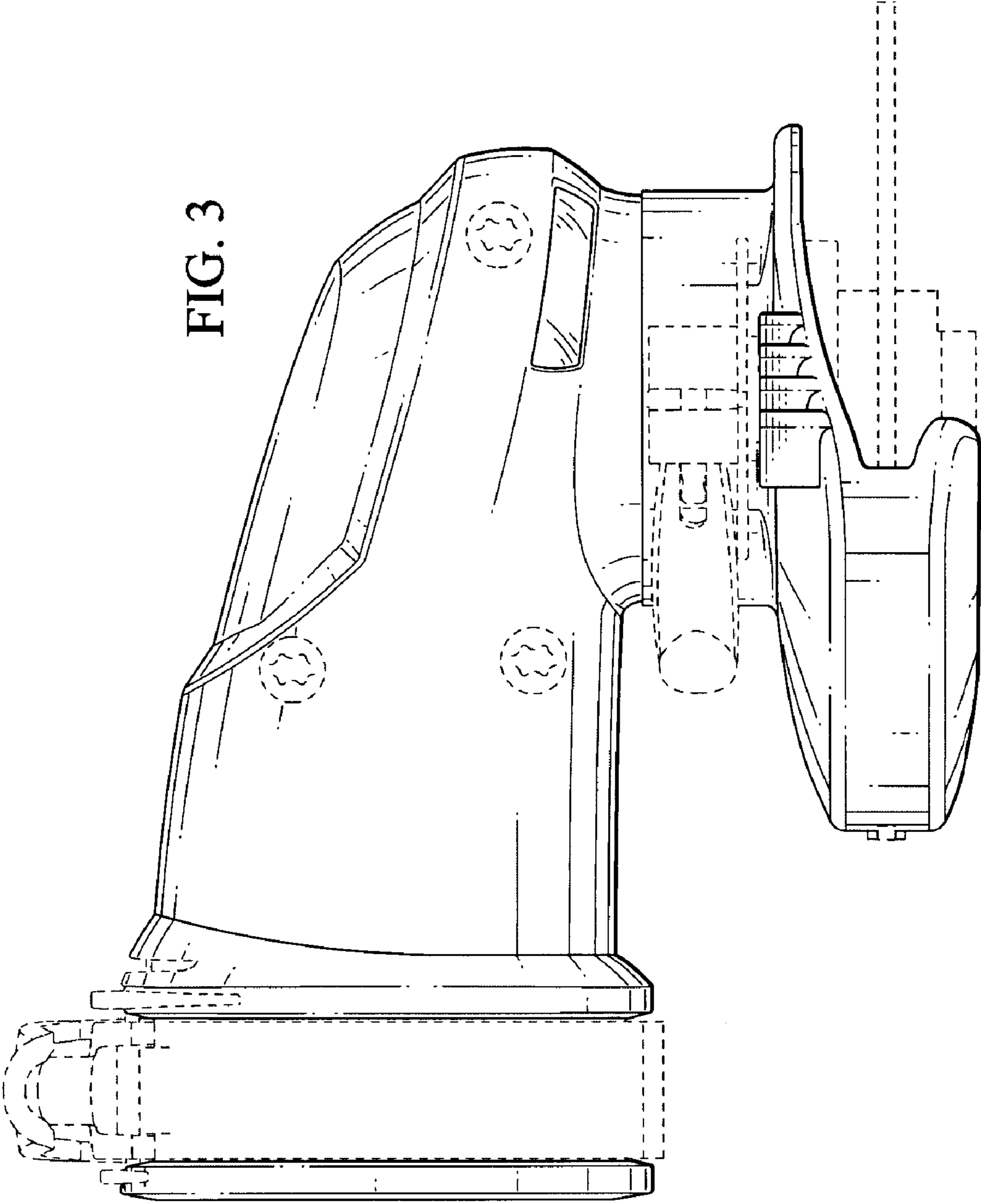


FIG. 2

FIG. 3



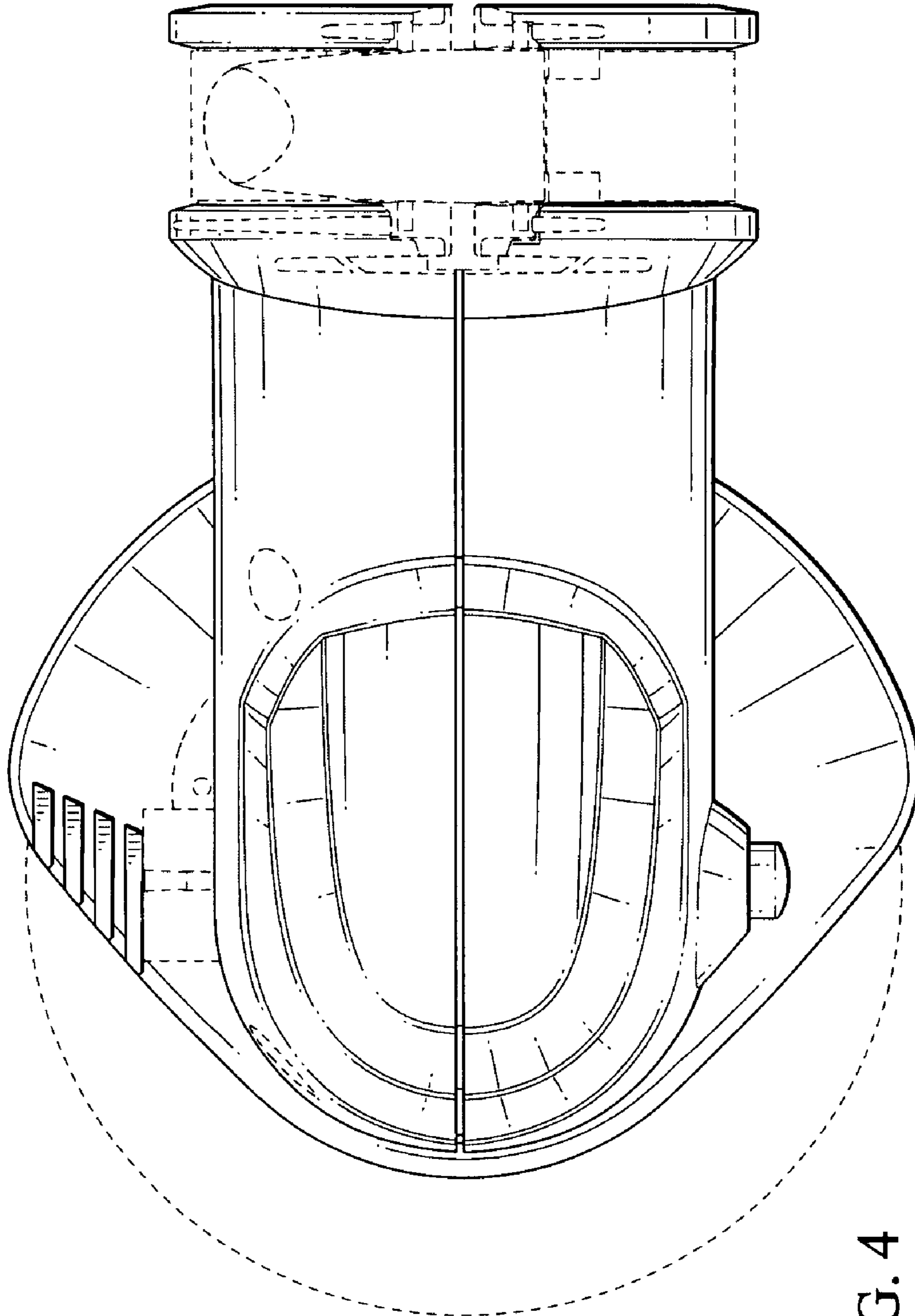


FIG. 4

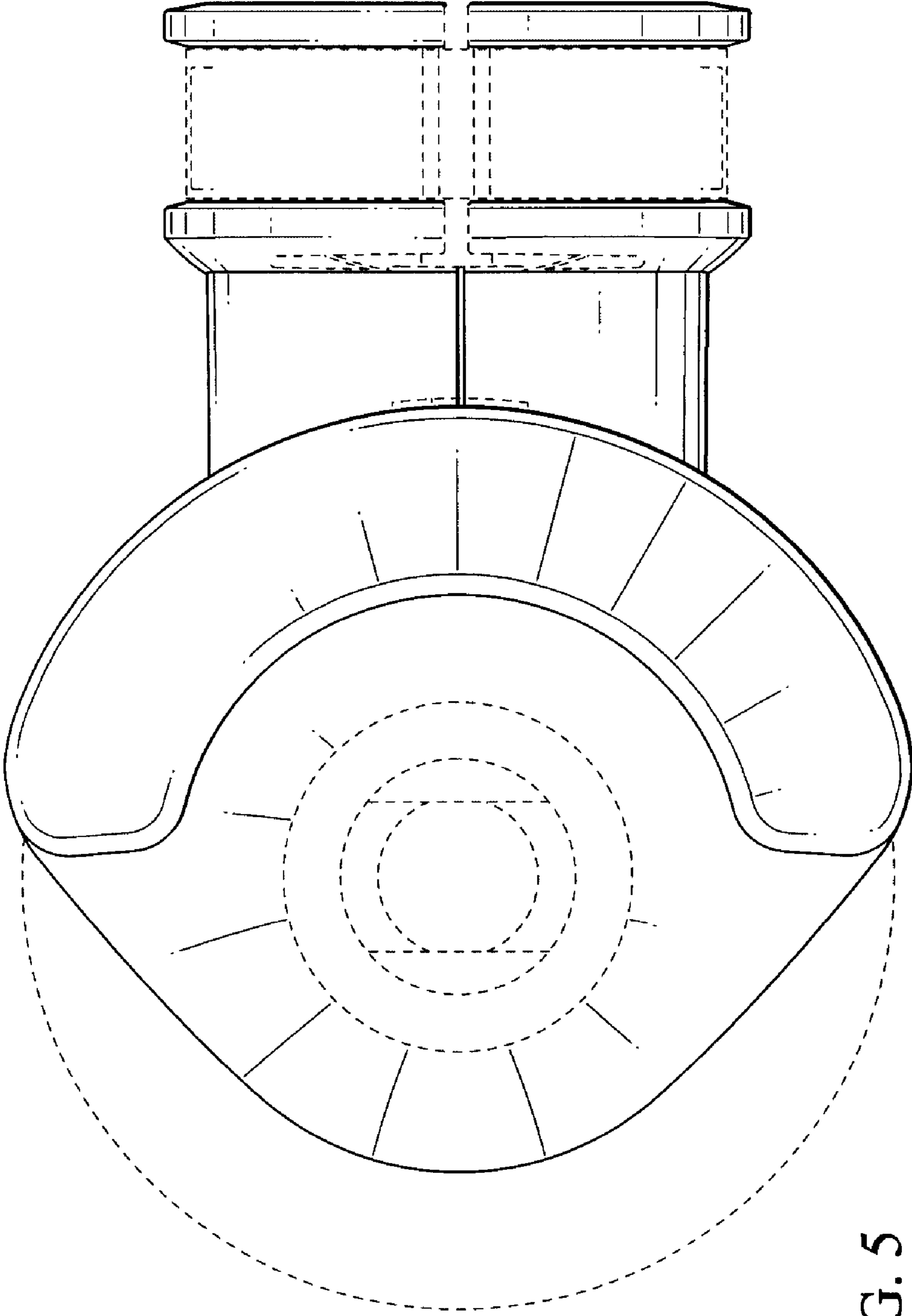


FIG. 5

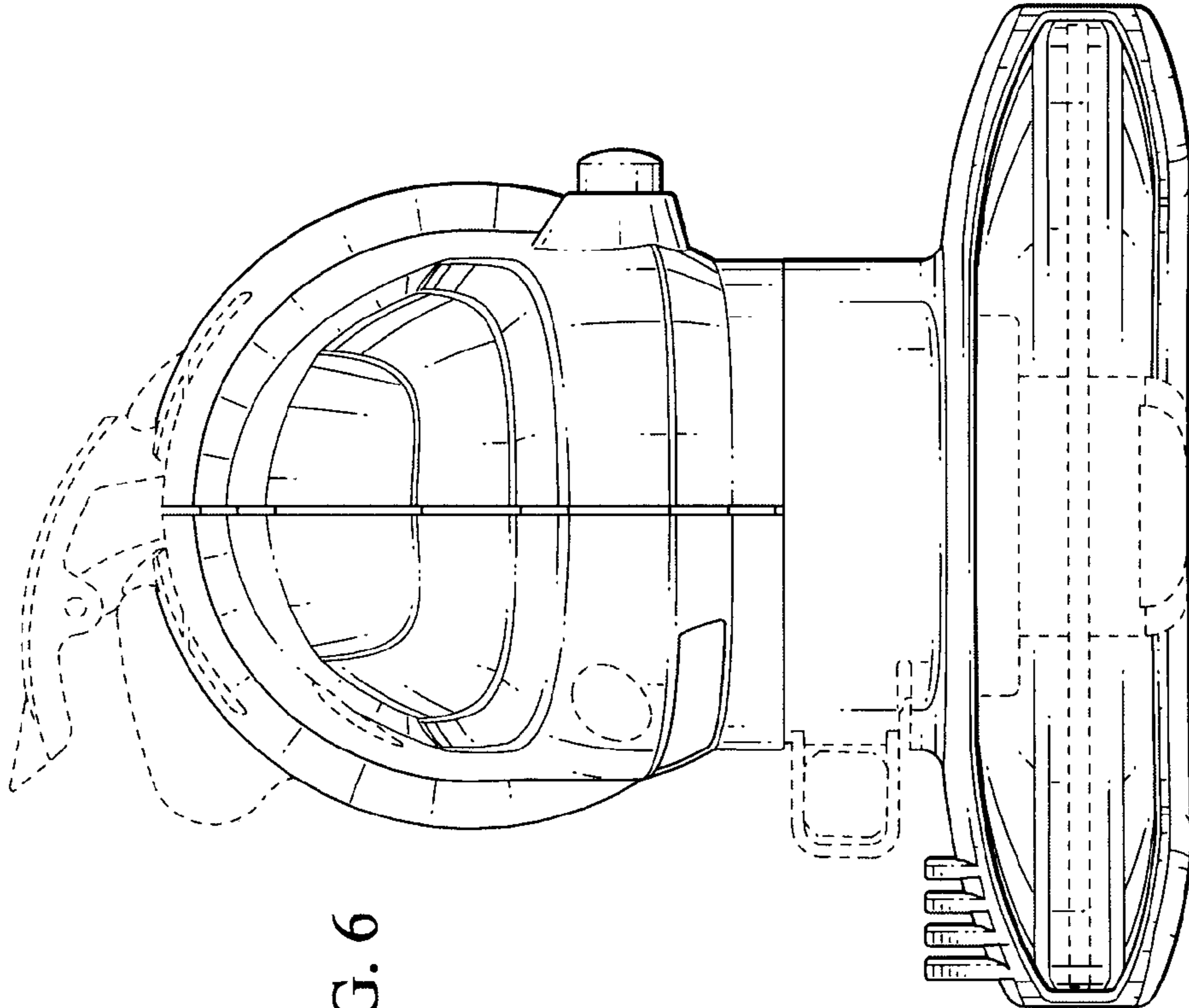


FIG. 6

FIG. 7

