



US00D513690S

(12) **United States Design Patent**
Etter et al.

(10) **Patent No.: US D513,690 S**
(45) **Date of Patent: ** Jan. 24, 2006**

(54) **IMPACT WRENCH**

(75) Inventors: **Mark A. Etter**, Humboldt, TN (US);
Fred M. Morgan, Jackson, TN (US)

(73) Assignee: **Black & Decker, Inc.**, Newark, DE
(US)

(**) Term: **14 Years**

(21) Appl. No.: **29/210,905**

(22) Filed: **Aug. 6, 2004**

(51) **LOC (8) Cl.** **08-05**

(52) **U.S. Cl.** **D8/68**

(58) **Field of Classification Search** D8/14.1,
D8/61, 62, 63, 64, 65, 66, 67, 68, 69, 70;
81/57.11, 429, 464, 465, 466, 469, 489; 173/13,
173/169, 178, 213, 217; 227/8, 114, 120,
227/130, 136, 142; 310/50; 408/20, 124,
408/125, 234, 241 R; 451/358

See application file for complete search history.

(56) **References Cited**

U.S. PATENT DOCUMENTS

2,744,176 A * 5/1956 Kaman 310/50
D256,980 S * 9/1980 Adams et al. D8/68
D288,769 S * 3/1987 Doman D8/68
D294,001 S * 2/1988 Greenlee et al. D8/68
D324,802 S * 3/1992 Caskey et al. D8/68
6,082,468 A * 7/2000 Pusateri et al. 173/169

6,158,459 A * 12/2000 Chang 81/489
D437,760 S * 2/2001 Izumisawa D8/68
D458,824 S * 6/2002 Chen D8/68
6,528,921 B1 * 3/2003 Nakane 310/50
D472,782 S * 4/2003 Pusateri et al. D8/68
D474,665 S * 5/2003 Taylor D8/69
D504,299 S * 4/2005 Leasure et al. D8/68
D504,604 S * 5/2005 Leasure et al. D8/68
2003/0010514 A1 * 1/2003 Taga 173/213

FOREIGN PATENT DOCUMENTS

GB 2094515 * 12/1999

* cited by examiner

Primary Examiner—Gary D. Watson

Assistant Examiner—T. Chase Nelson

(74) *Attorney, Agent, or Firm*—Suiter West Swant pc

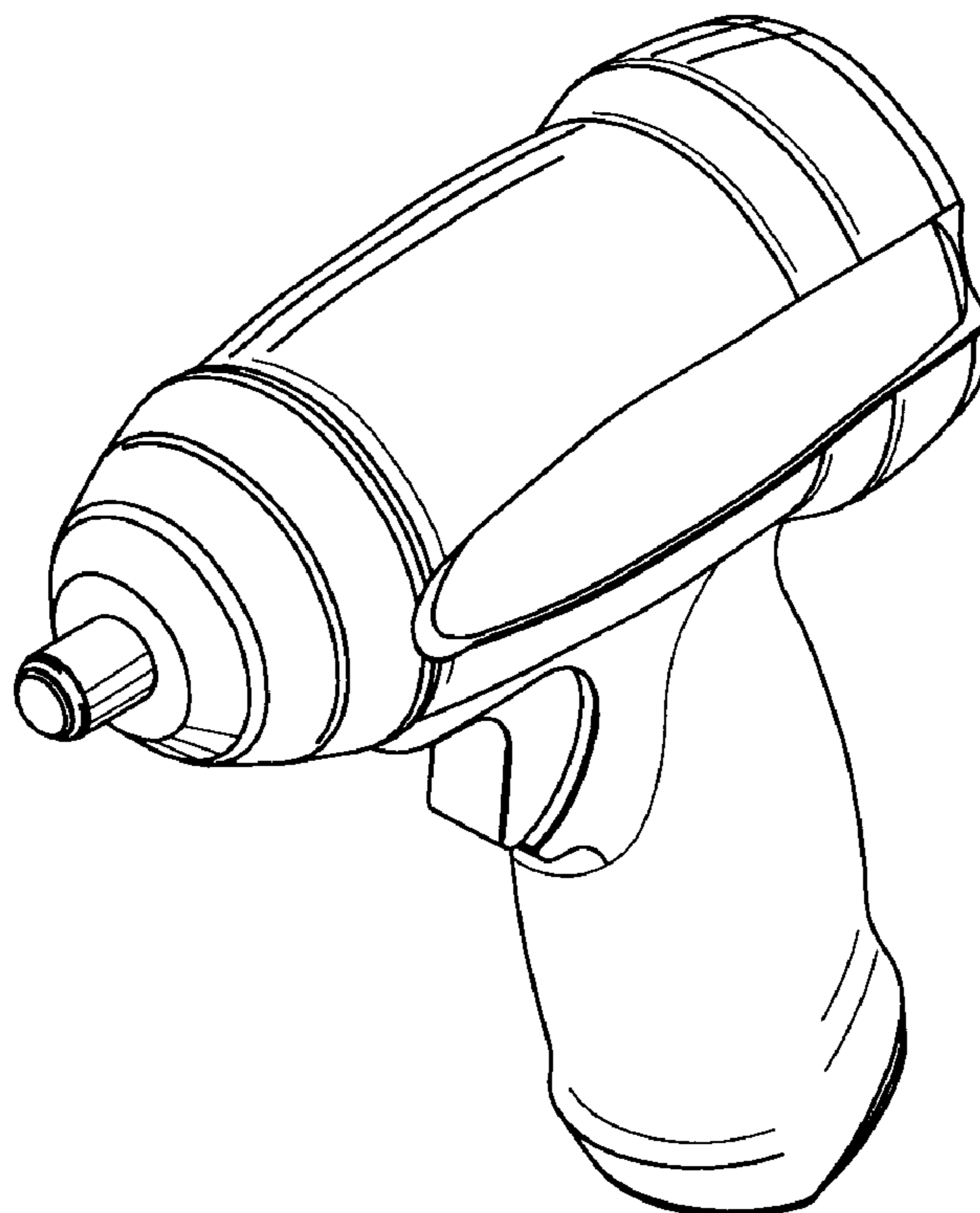
(57) **CLAIM**

I claim the ornamental design for an impact wrench, as shown.

DESCRIPTION

FIG. 1 is an isometric view showing our new design;
FIG. 2 is top plan view thereof;
FIG. 3 is a left side elevation view thereof;
FIG. 4 is a front elevation view thereof;
FIG. 5 is a right side elevation view thereof;
FIG. 6 is rear elevation view thereof; and,
FIG. 7 is a bottom plan view thereof.

1 Claim, 3 Drawing Sheets



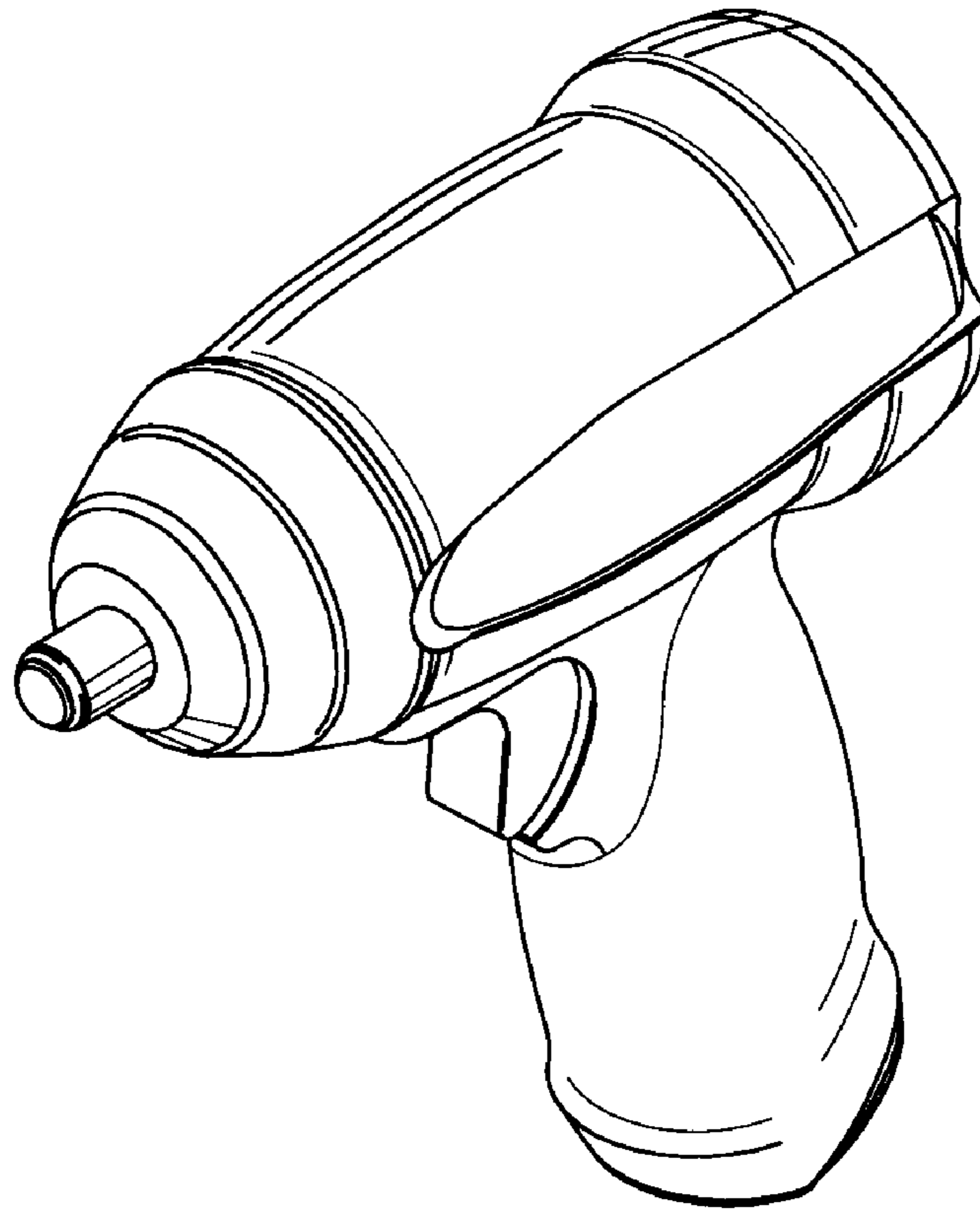


Fig. 1

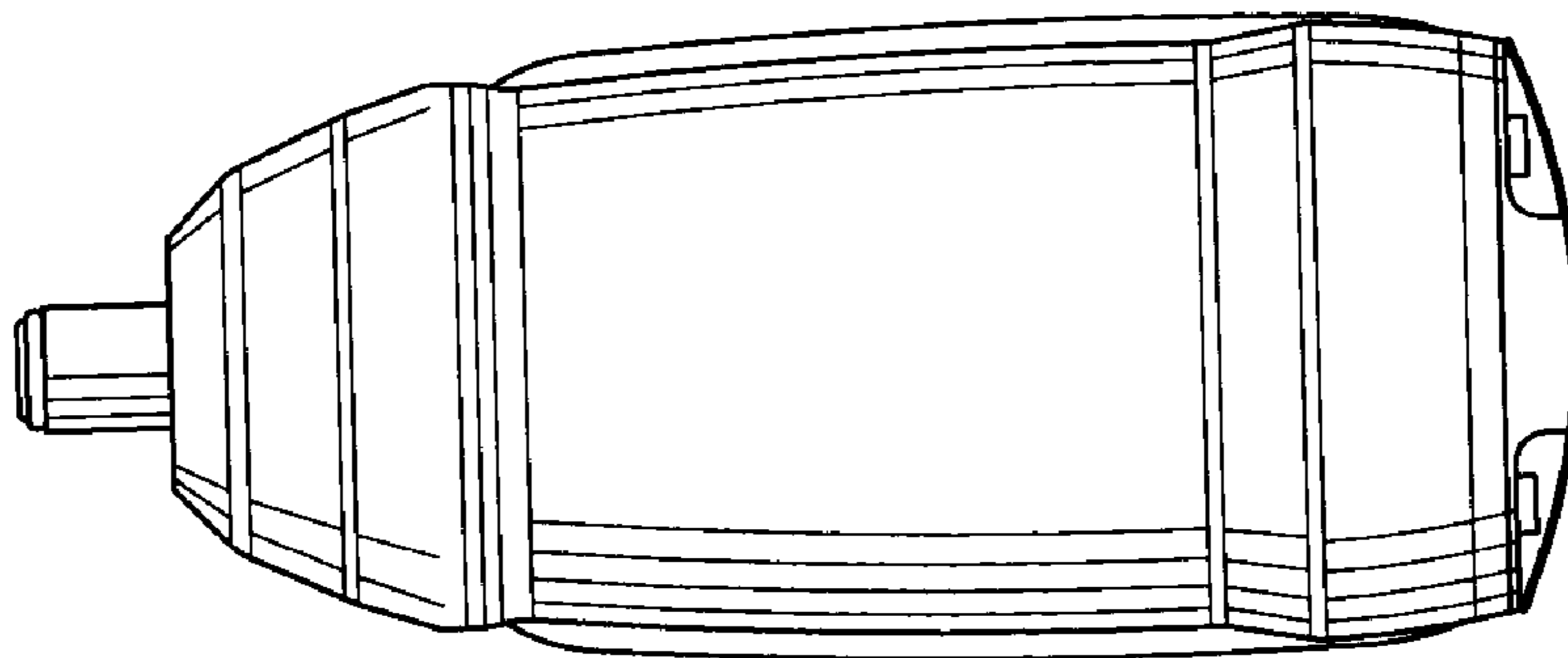


Fig. 2

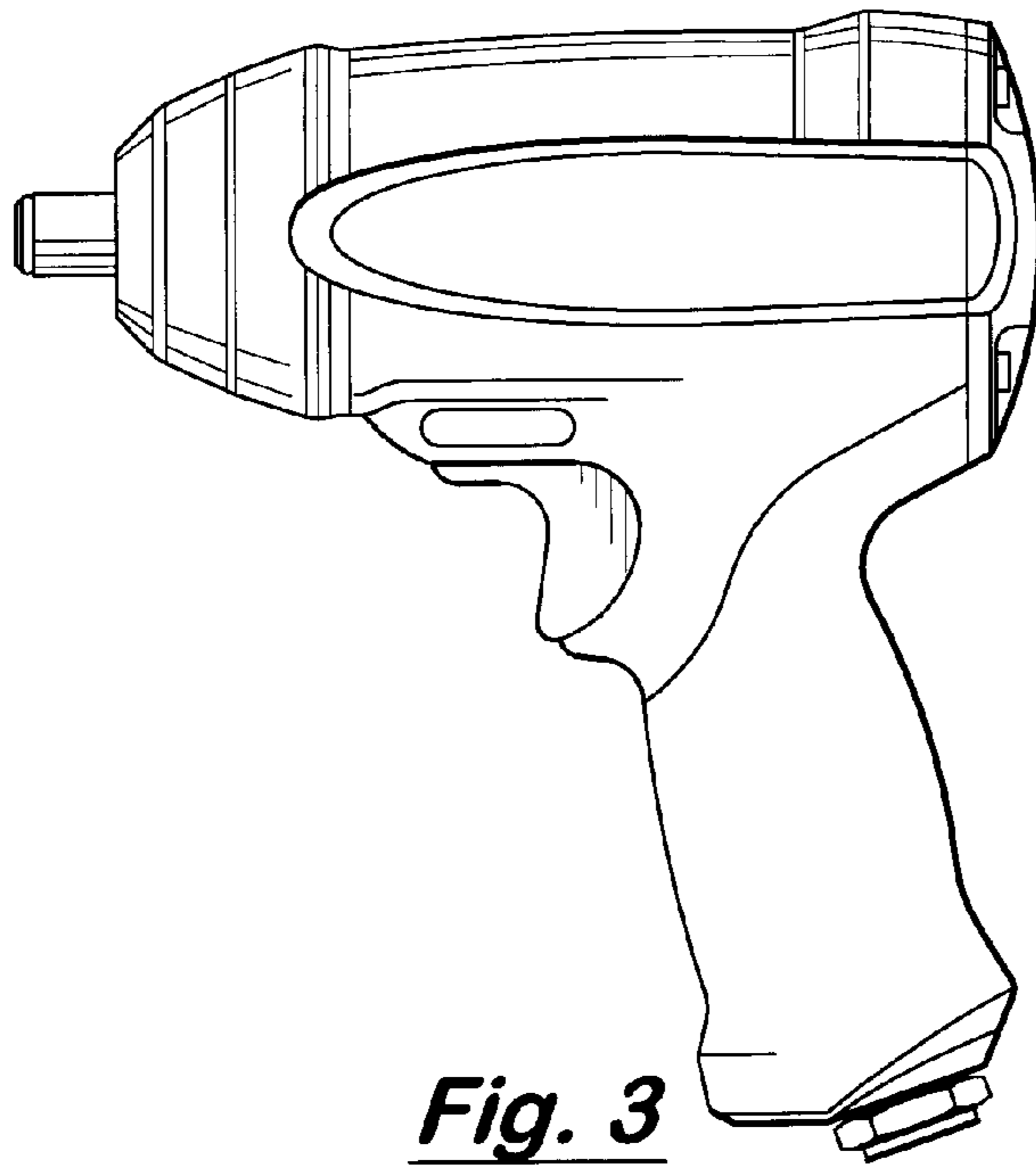


Fig. 3

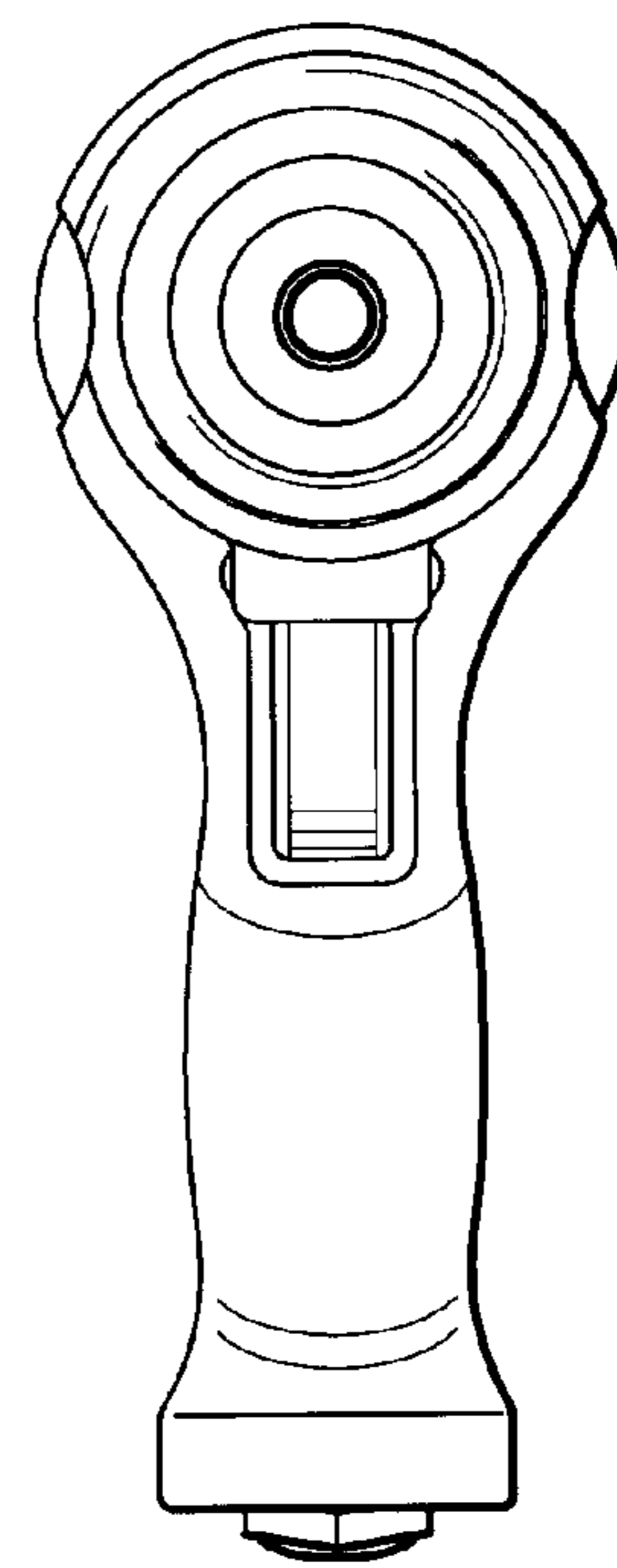


Fig. 4

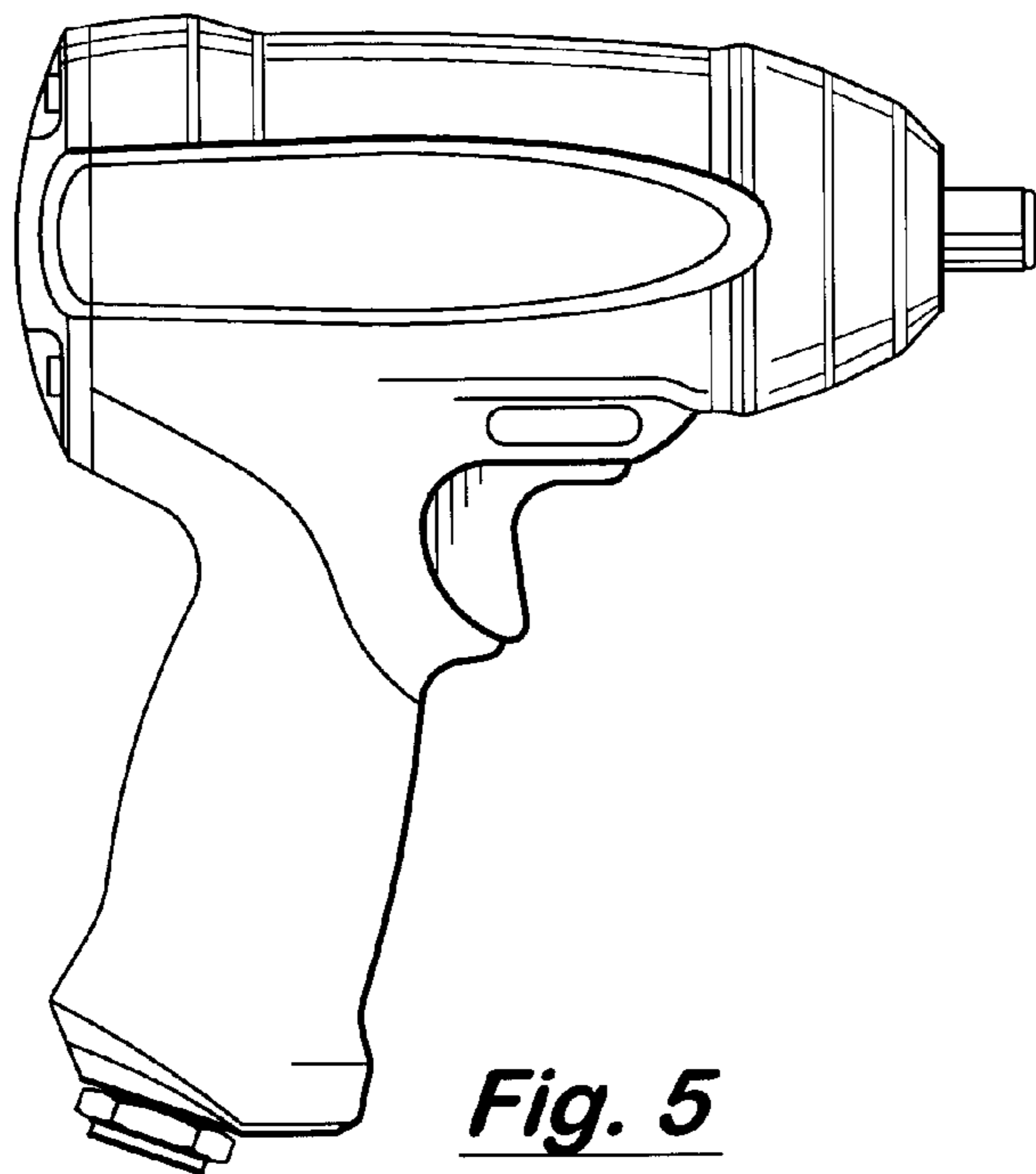


Fig. 5

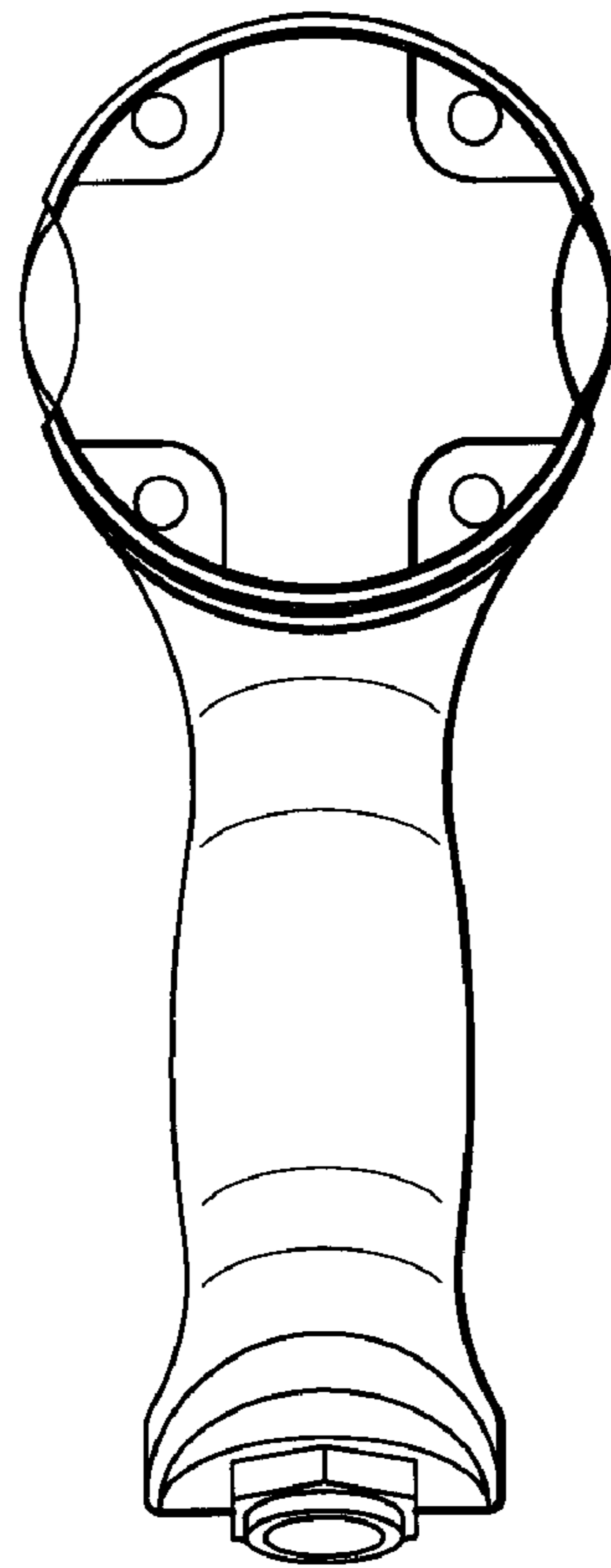


Fig. 6

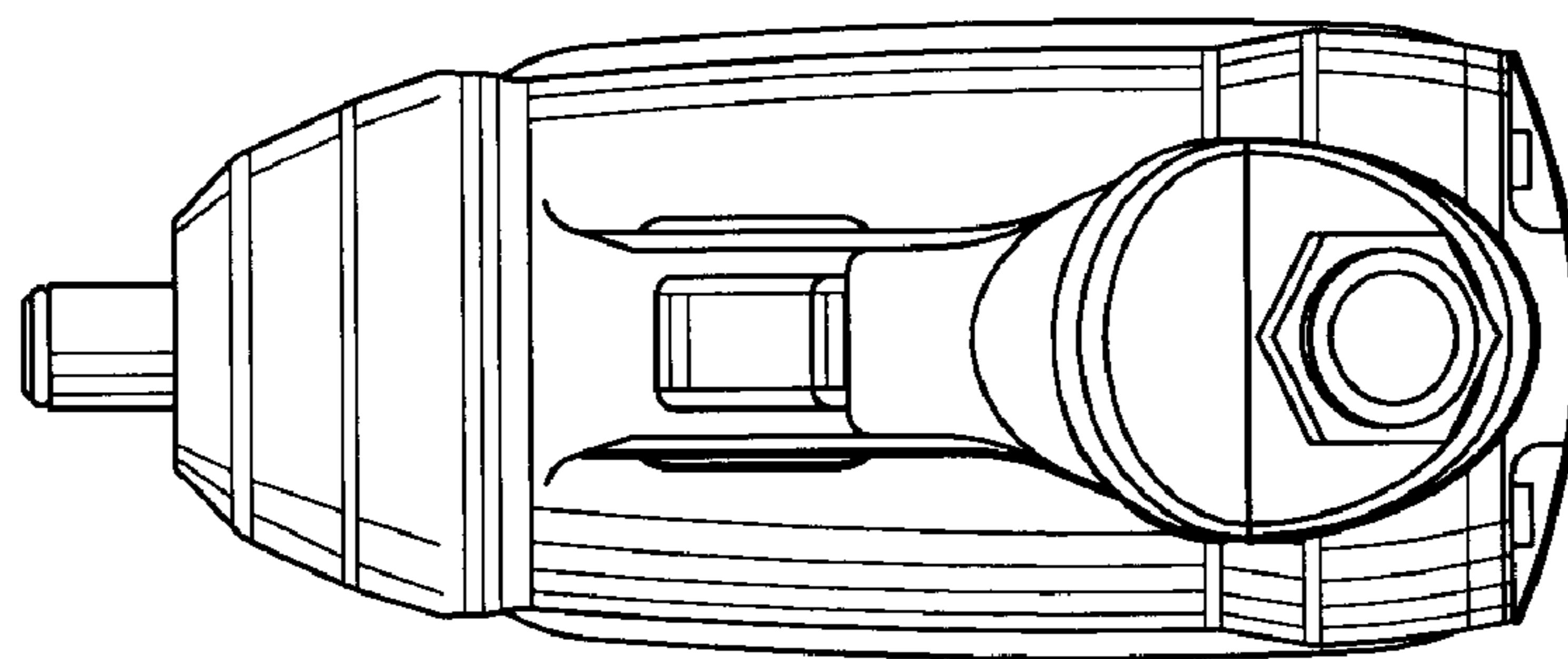


Fig. 7