



US00D513684S

(12) **United States Design Patent**
Jackovin et al.

(10) **Patent No.:** **US D513,684 S**
(45) **Date of Patent:** **** Jan. 24, 2006**

(54) **BACKGUARD/CONTROL PANEL FOR A COOKING APPLIANCE**

D470,720 S 2/2003 Jones et al.

* cited by examiner

(75) Inventors: **Gary B. Jackovin**, Ankeny, IA (US);
Kevin D. Kinch, Ankeny, IA (US);
Inho Andy Shin, Cleveland, TN (US)

Primary Examiner—Robert A. Delehanty
(74) *Attorney, Agent, or Firm*—Diedericks & Whitelaw, PLC; Allan P. Orsund

(73) Assignee: **Maytag Corporation**, Newton, IA (US)

(57) **CLAIM**

(**) Term: **14 Years**

The ornamental design for a backguard/control panel for a cooking appliance, as shown and described.

(21) Appl. No.: **29/191,467**

DESCRIPTION

(22) Filed: **Oct. 9, 2003**

(51) **LOC (8) Cl.** **07-02**

(52) **U.S. Cl.** **D7/406**

(58) **Field of Classification Search** D7/406,
D7/348, 349; D32/28; 34/524, 88; 312/31;
126/183, 37, 52, 19 R, 273 R, 42, 39 B
See application file for complete search history.

FIG. 1 is an upper right perspective view of our new backguard/control panel design for a cooking appliance; FIG. 2 is an enlarged, upper right perspective view of the backguard/control panel of FIG. 1; FIG. 3 is a front elevational view of the backguard/control panel of the invention; FIG. 4 is a top view of the backguard/control panel of the invention; and, FIG. 5 is a right side elevational view of the backguard/control panel of the invention, with the left side view being a mirror image thereof. The broken lines showing an overall appliance cabinet, cooktop, control knobs, oven door/handle details, and lower front storage drawer are for illustrative purposes only and form no part of the claimed invention.

(56) **References Cited**

U.S. PATENT DOCUMENTS

2,749,903 A	*	6/1956	Auster	126/42
2,866,450 A	*	12/1958	Reeves	126/39 B
D369,514 S	*	5/1996	Baldwin	D7/406
D424,862 S	*	5/2000	Holbrook	D7/349
6,191,391 B1	*	2/2001	Deo et al.	126/273 R
D469,657 S		2/2003	Becker et al.	

1 Claim, 4 Drawing Sheets

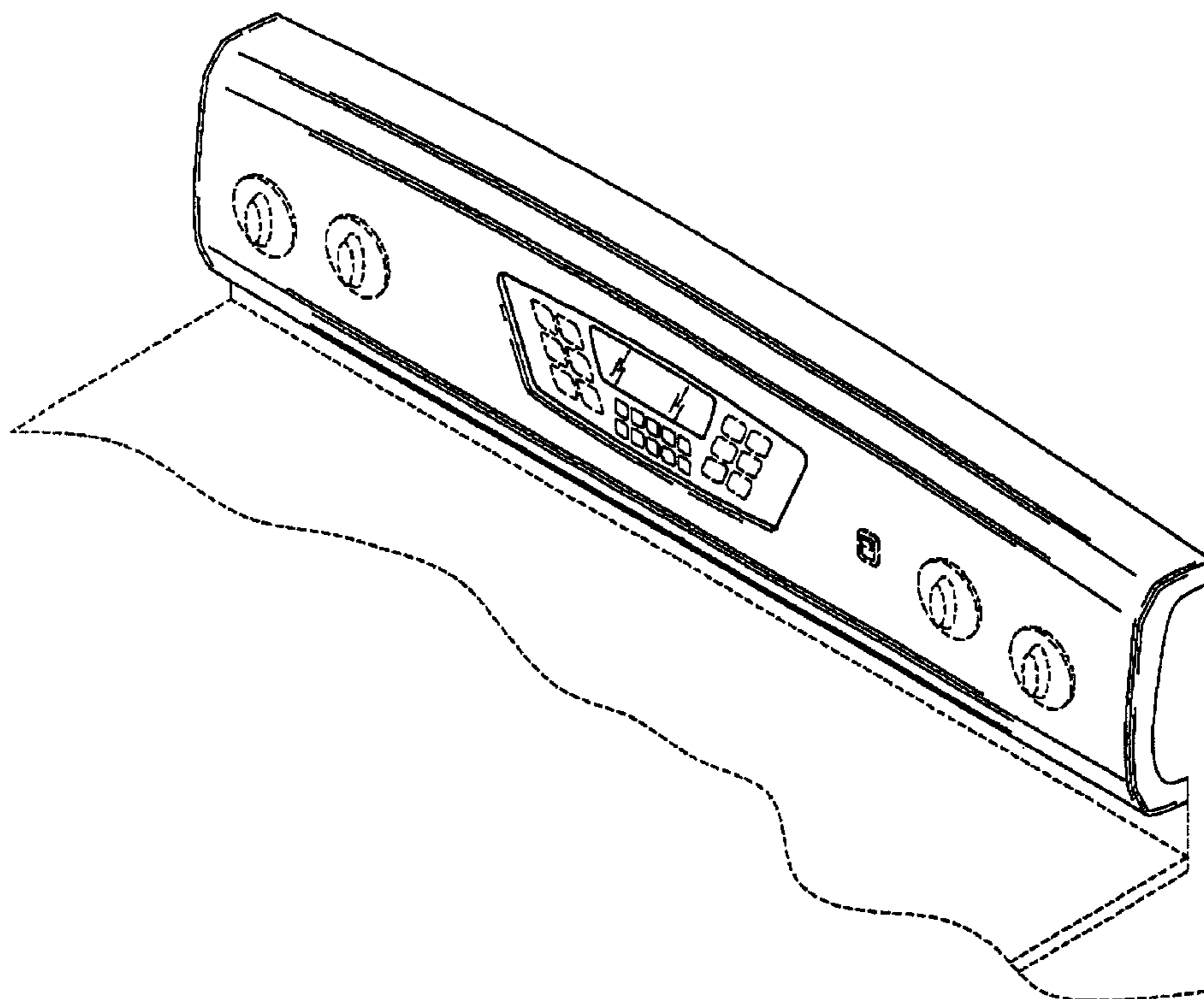


FIG. 1

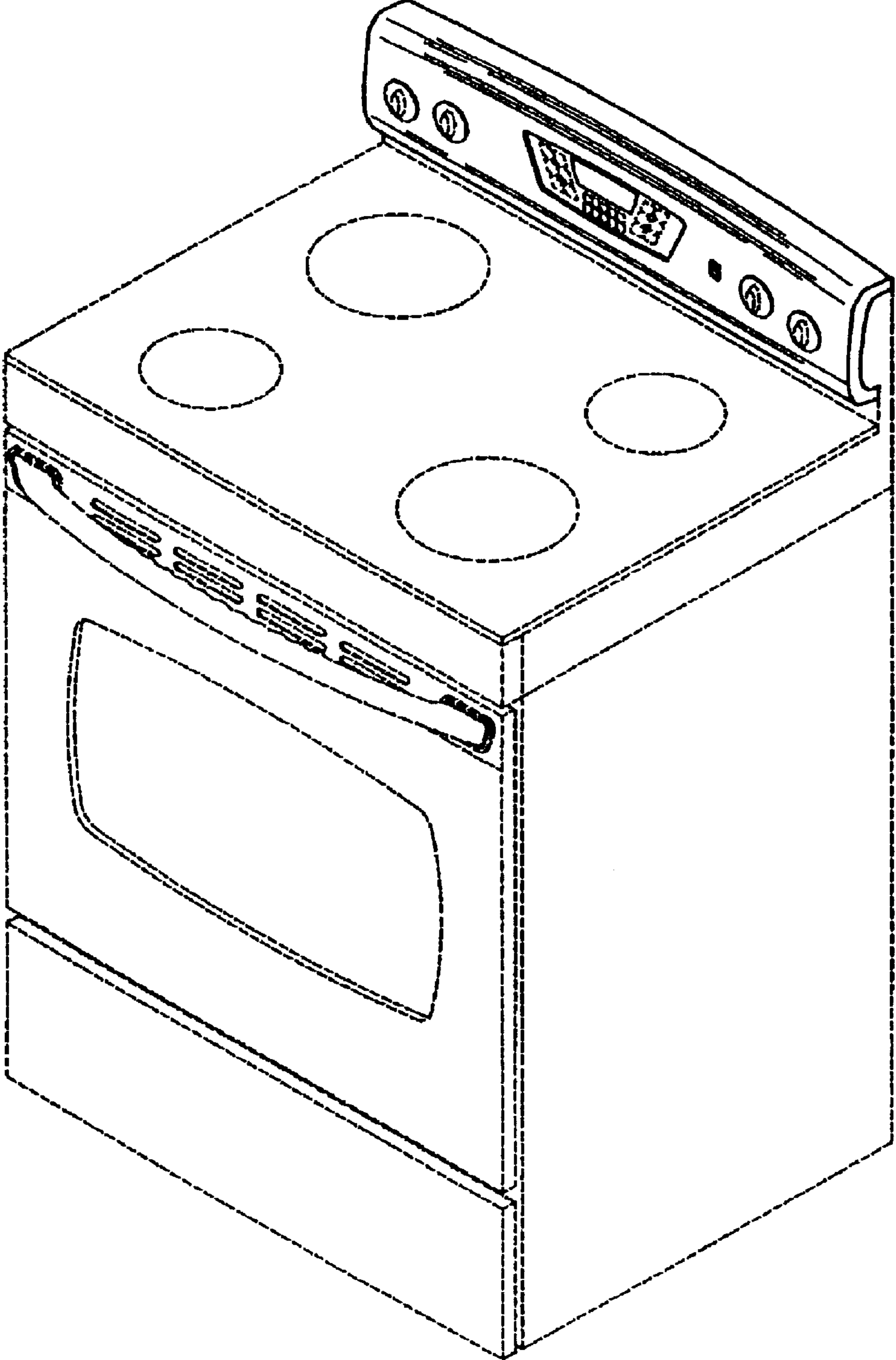


FIG. 2

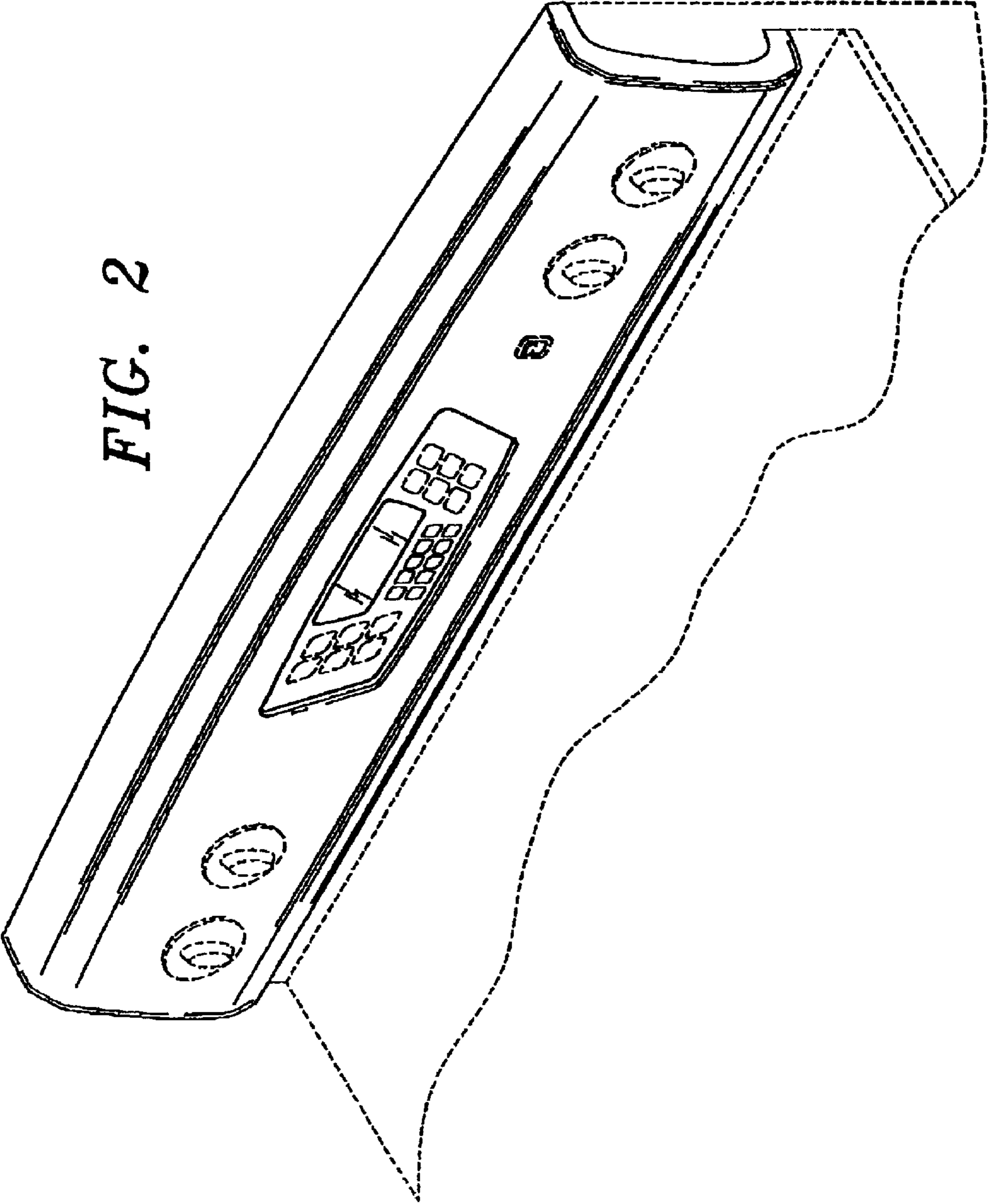


FIG. 3

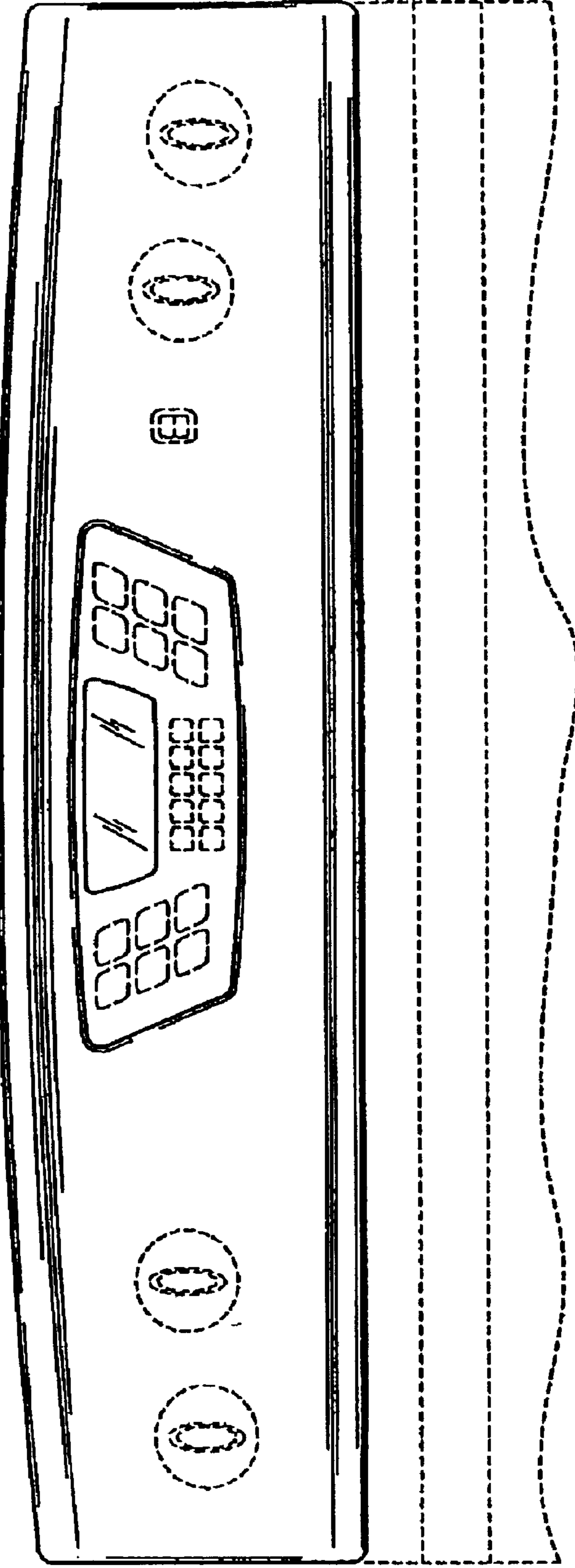


FIG. 4

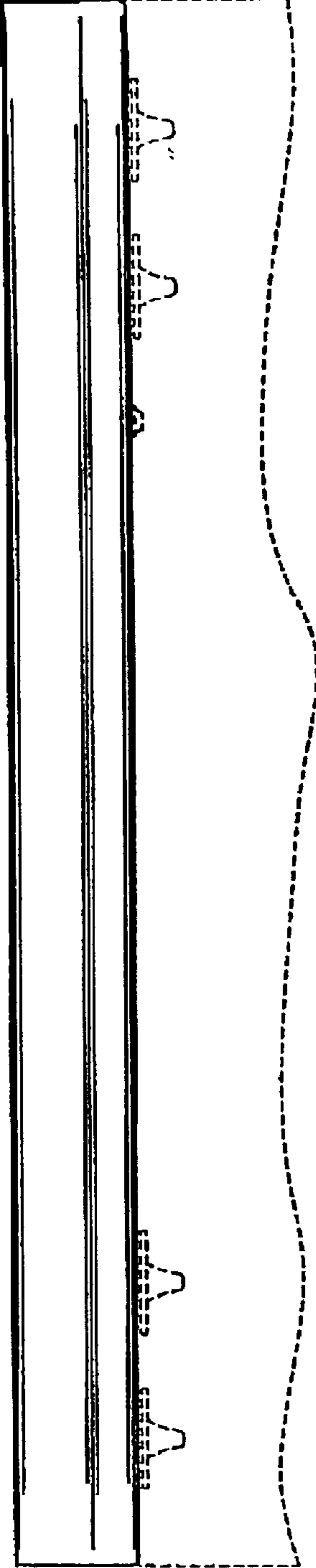


FIG. 5

