



US00D513682S

(12) **United States Design Patent**
Friel, Sr. et al.

(10) **Patent No.: US D513,682 S**
(45) **Date of Patent: ** *Jan. 24, 2006**

(54) **FOOD SLICER**

(75) Inventors: **Daniel D. Friel, Sr.**, Greenville, DE (US); **Daniel D. Friel, Jr.**, Kennett Square, PA (US)

(73) Assignee: **Edgecraft Corporation**, Avondale, PA (US)

(*) Notice: This patent is subject to a terminal disclaimer.

(**) Term: **14 Years**

(21) Appl. No.: **29/186,555**

(22) Filed: **Jul. 17, 2003**

Related U.S. Application Data

(63) Continuation-in-part of application No. 29/157,587, filed on Mar. 21, 2002, now abandoned.

(51) **LOC (8) Cl.** **31-00**

(52) **U.S. Cl.** **D7/383**

(58) **Field of Classification Search** D7/376-386;
83/77, 91, 102, 104, 167, 168, 701, 707,
83/708, 859, 478; 134/6

See application file for complete search history.

(56) **References Cited**

U.S. PATENT DOCUMENTS

D129,559 S * 9/1941 Wood D7/383

D145,406 S * 8/1946 Meyer D7/383
D155,292 S * 9/1949 Klingens et al. D7/383
D180,304 S * 5/1957 Van Duyn D7/383
D230,630 S * 3/1974 McCue D7/383
D262,860 S * 2/1982 Loiseau D7/383
D264,720 S * 6/1982 Fuse D7/383
D269,347 S * 6/1983 Cantatore et al. D7/383
5,188,011 A * 2/1993 Somal et al. 83/478
D418,012 S * 12/1999 Van Dullemen et al. D7/383
D439,587 S * 3/2001 Lauer D7/383
D488,953 S * 4/2004 Friel, Sr. D7/383
2002/0069737 A1 * 6/2002 Zhu 83/91

* cited by examiner

Primary Examiner—Caron D. Veynar

(57) **CLAIM**

The ornamental design for a food slicer, as shown and described.

DESCRIPTION

FIG. 1 is a front perspective view of a food slicer showing our new design;

FIG. 2 is a rear perspective view thereof;

FIG. 3 is a front elevational view thereof;

FIG. 4 is a left side elevational view thereof;

FIG. 5 is a right side elevational view thereof;

FIG. 6 is a rear elevational view thereof;

FIG. 7 is a top plan view thereof; and,

FIG. 8 is a bottom plan view thereof.

1 Claim, 4 Drawing Sheets

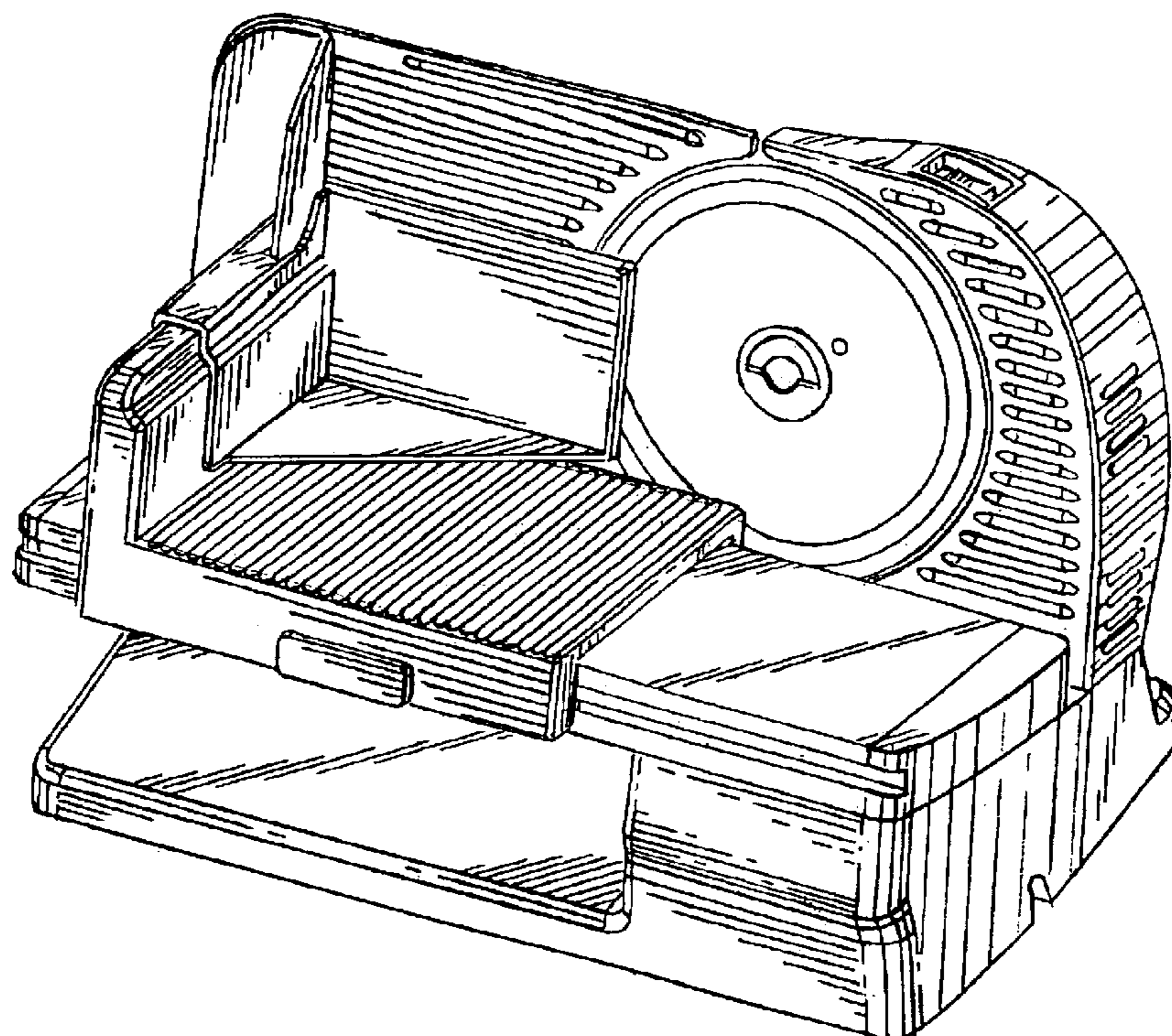


Fig. 1.

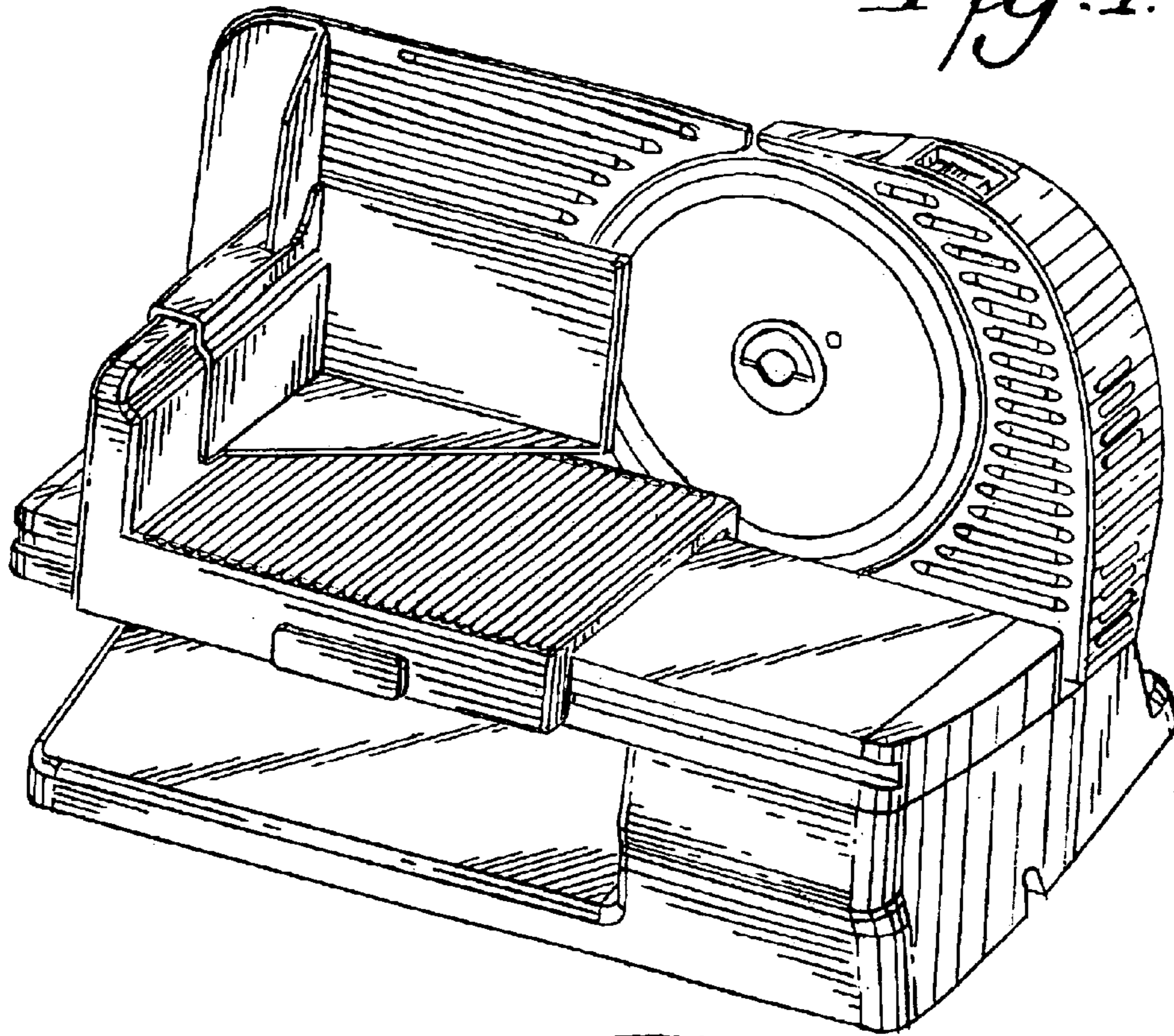


Fig. 2.

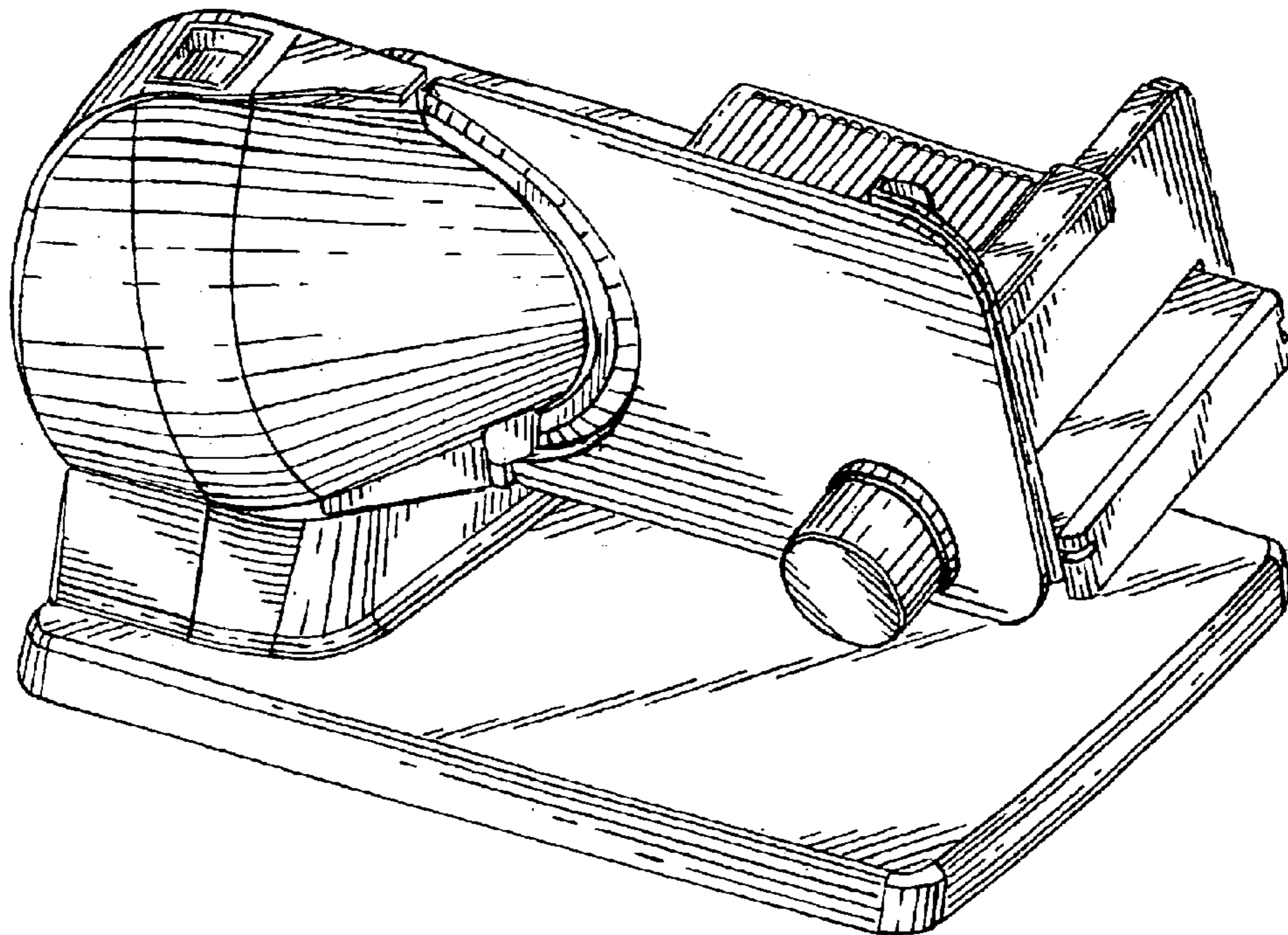


Fig. 7.

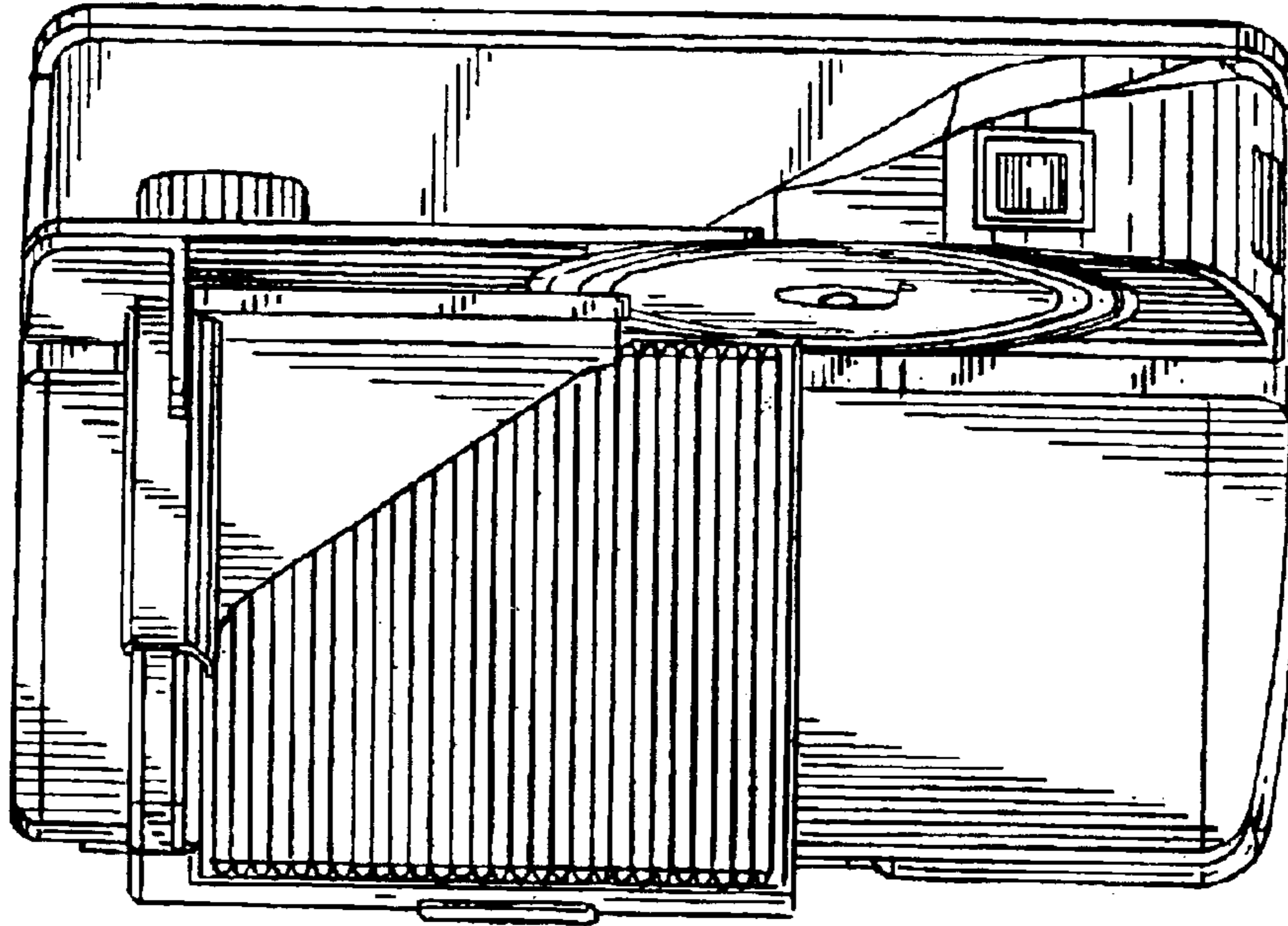


Fig. 3.

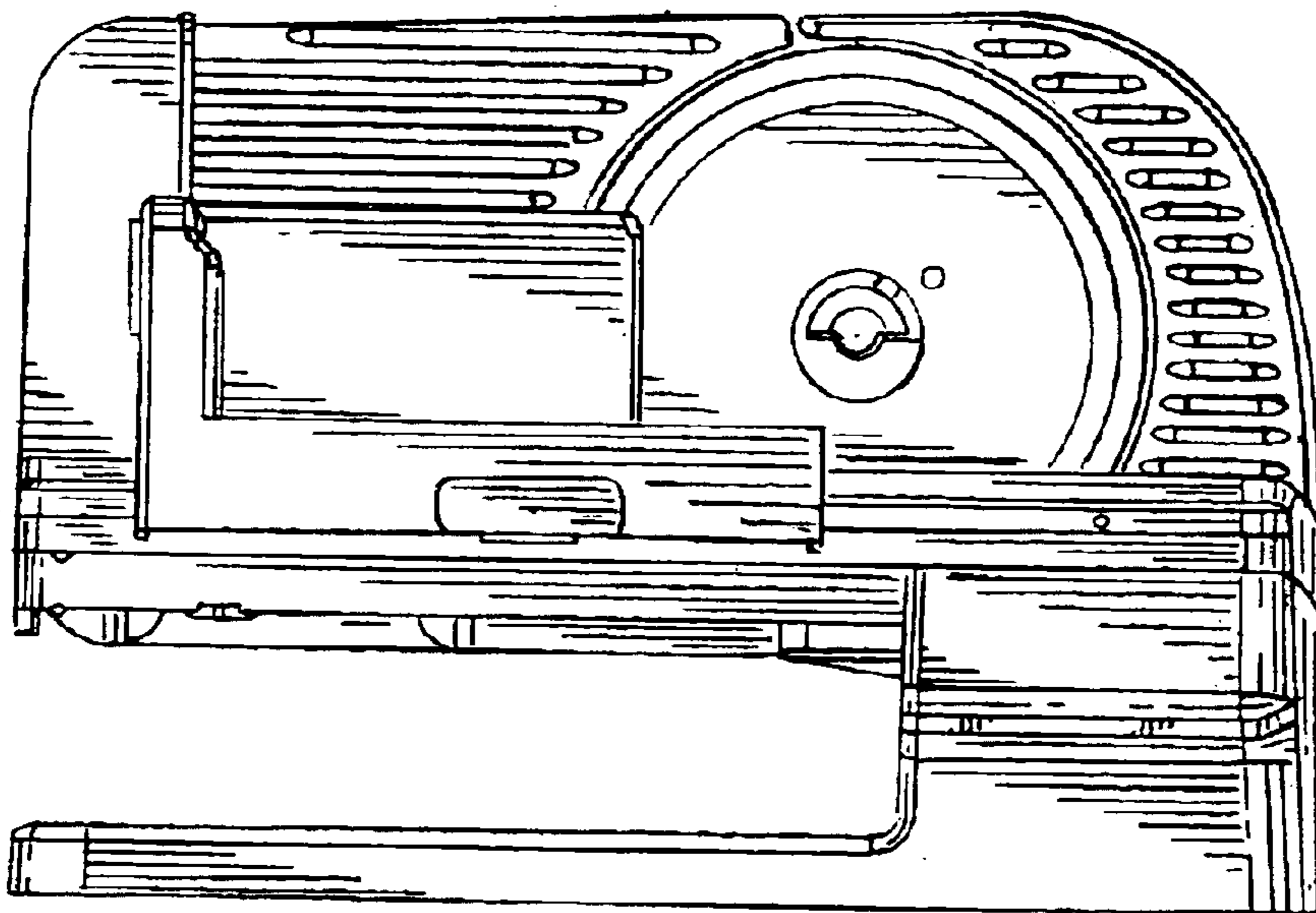


Fig. 4.

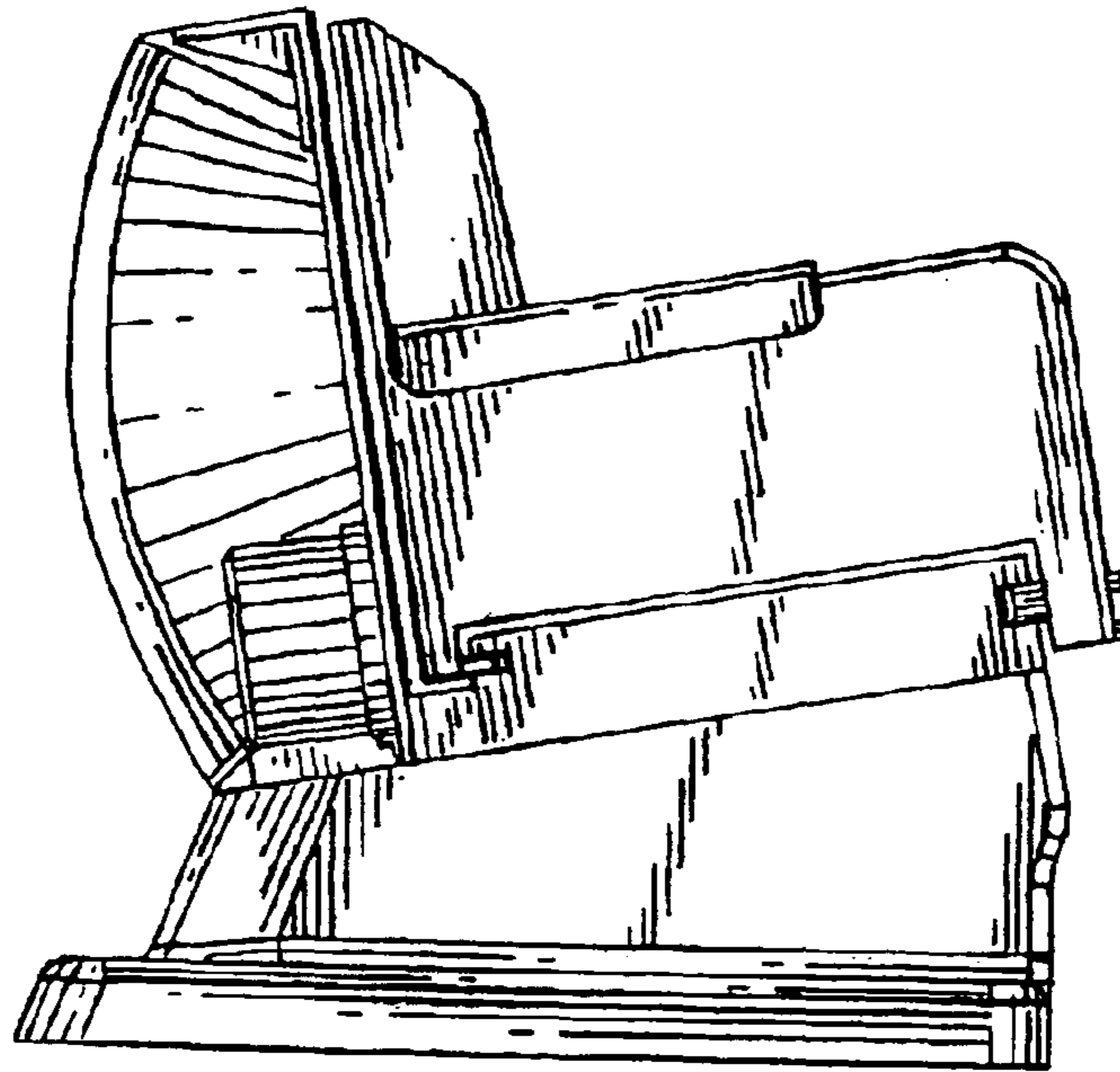


Fig. 5.

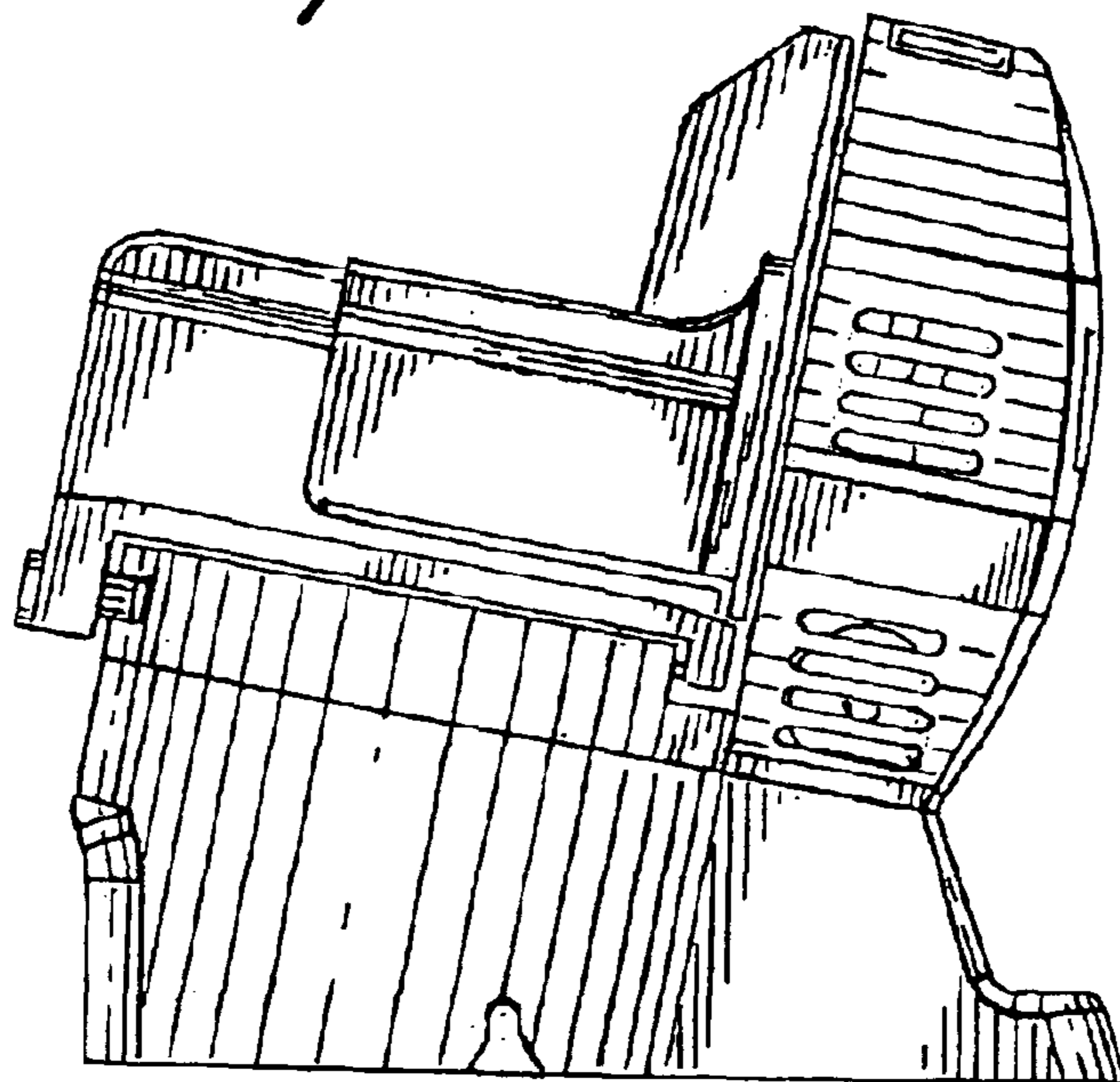


Fig. 6.

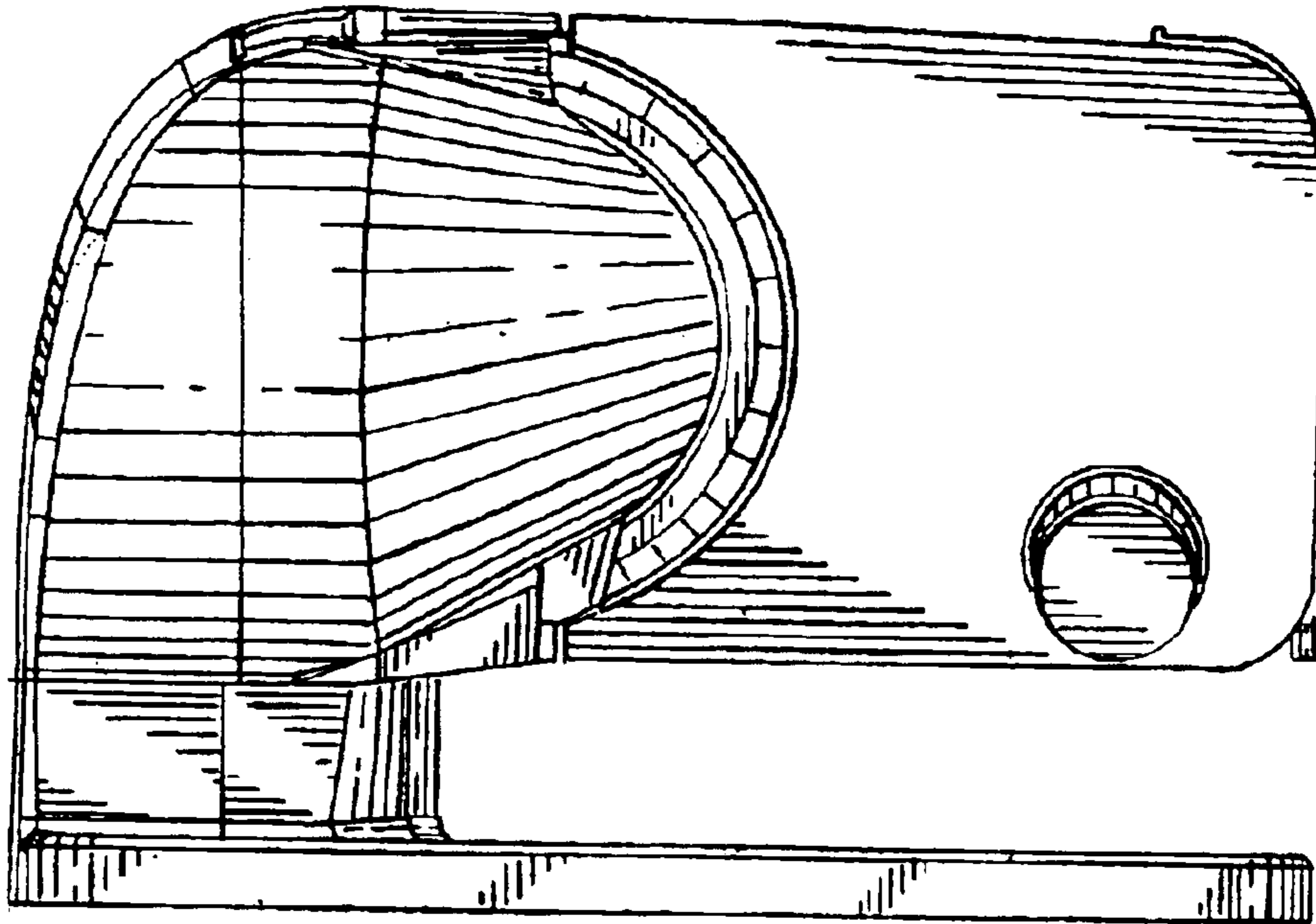


Fig. 8.

