



US00D513678S

(12) **United States Design Patent** (10) **Patent No.:** **US D513,678 S**  
**Henriott et al.** (45) **Date of Patent:** **\*\* Jan. 24, 2006**

- (54) **FURNITURE END**  
 (75) Inventors: **Jay M. Henriott**, Jasper, IN (US);  
**Donald Woods**, Celestine, IN (US)  
 (73) Assignee: **Kimball International, Inc.**, Jasper, IN (US)  
 (\*\*) Term: **14 Years**  
 (21) Appl. No.: **29/223,893**  
 (22) Filed: **Feb. 22, 2005**

D187,595 S	4/1960	Anderson	.....	D33/7
D192,864 S	5/1962	Parker et al.	.....	D33/7
D193,858 S	10/1962	Chapman et al.	.....	D33/11
D199,846 S	12/1964	Armstrong	.....	D33/6
3,159,423 A	12/1964	Gilbert	.....	297/119
D204,990 S	6/1966	Klein et al.	.....	D33/14
D209,404 S	11/1967	Pearlman	.....	D33/14
D220,441 S	4/1971	Beavers	.....	D33/7
D228,431 S	9/1973	Sundberg et al.	.....	D6/158
D274,681 S	7/1984	Gwathmey et al.	.....	D6/428
D276,674 S	12/1984	Gwathmey et al.	.....	D6/446
D323,944 S	2/1992	Maas	.....	D6/436
D330,126 S	10/1992	O'Sullivan et al.	.....	D6/426
D343,308 S	1/1994	Stephens	.....	D6/428
5,547,270 A	8/1996	Dang	.....	312/194
D428,740 S	8/2000	Maly	.....	D6/480
D446,664 S	8/2001	Petri	.....	D6/427

**Related U.S. Application Data**

- (62) Division of application No. 29/196,162, filed on Dec. 23, 2003, now Pat. No. Des. 505,810.  
 (51) **LOC (8) Cl.** ..... **06-06**  
 (52) **U.S. Cl.** ..... **D6/491; D6/480; D6/422**  
 (58) **Field of Classification Search** ..... D6/480-489,  
 D6/511, 495-499, 429, 422, 491; 108/150,  
 108/153.1, 155, 156, 157.1, 161; 248/188,  
 248/188.1, 188.8  
 See application file for complete search history.

(56) **References Cited**

**U.S. PATENT DOCUMENTS**

D110,907 S	8/1938	Patz	
2,191,290 A	2/1940	Richardson et al.	..... 45/6
D134,717 S	1/1943	Braun	
2,527,603 A	10/1950	Wallance	..... 248/189
D162,927 S	4/1951	Bloom	..... D33/7
D164,075 S	7/1951	Wallance	..... D33/14
D176,412 S	12/1955	Hermann	..... D33/7

*Primary Examiner*—Janice E. Seeger  
(74) *Attorney, Agent, or Firm*—Baker & Daniels

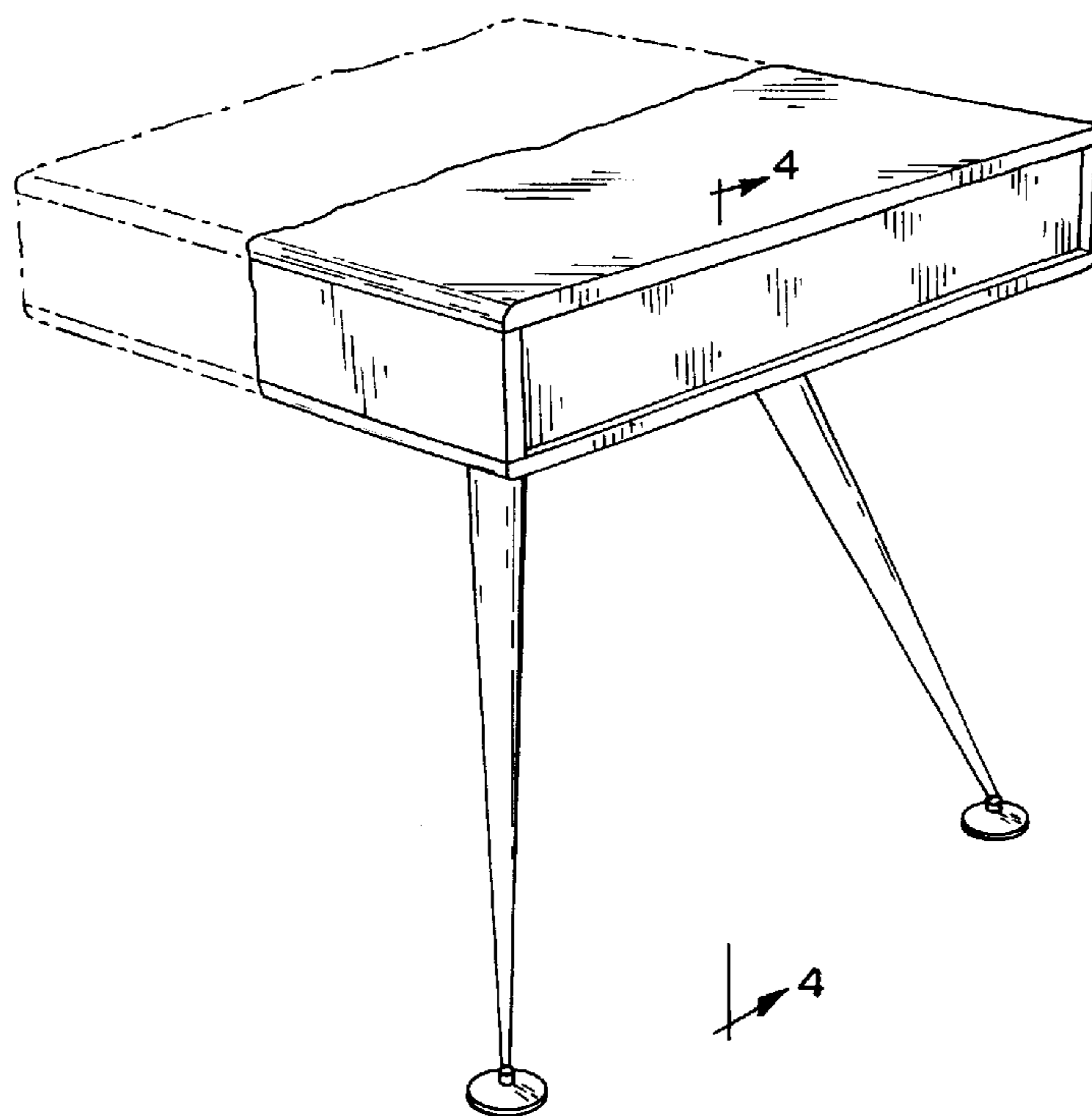
(57) **CLAIM**

The ornamental design of a furniture end, as shown and described.

**DESCRIPTION**

FIG. 1 is a perspective view of a furniture end design, showing our new design;  
FIG. 2 is an end view thereof;  
FIG. 3 is front view thereof; and,  
FIG. 4 is a sectional view taken along line 4—4 of FIG. 1 to illustrate the inset end panel.  
The features which are shown in dashed lines form no part of the claimed design.

**1 Claim, 2 Drawing Sheets**



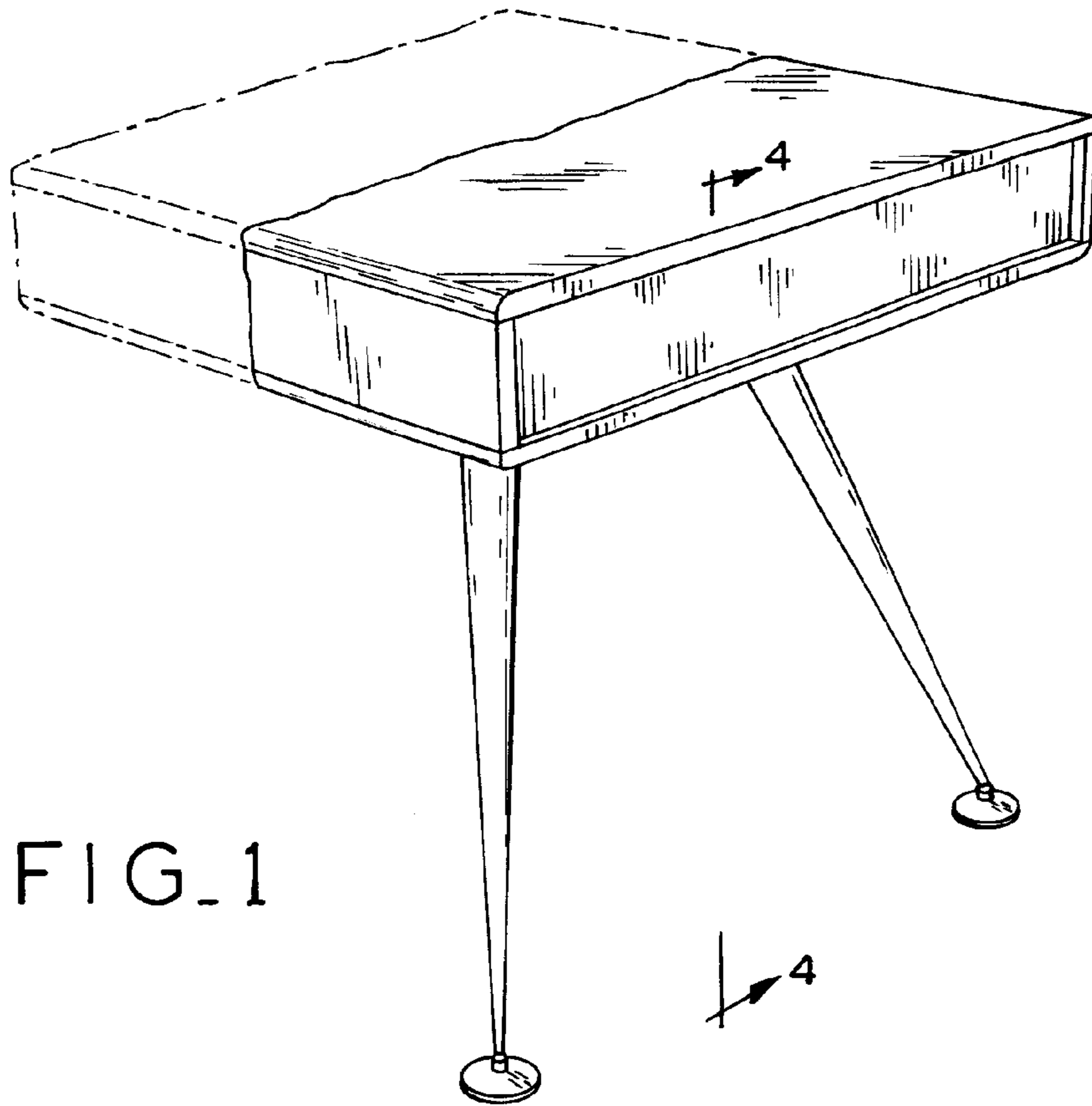


FIG. 1

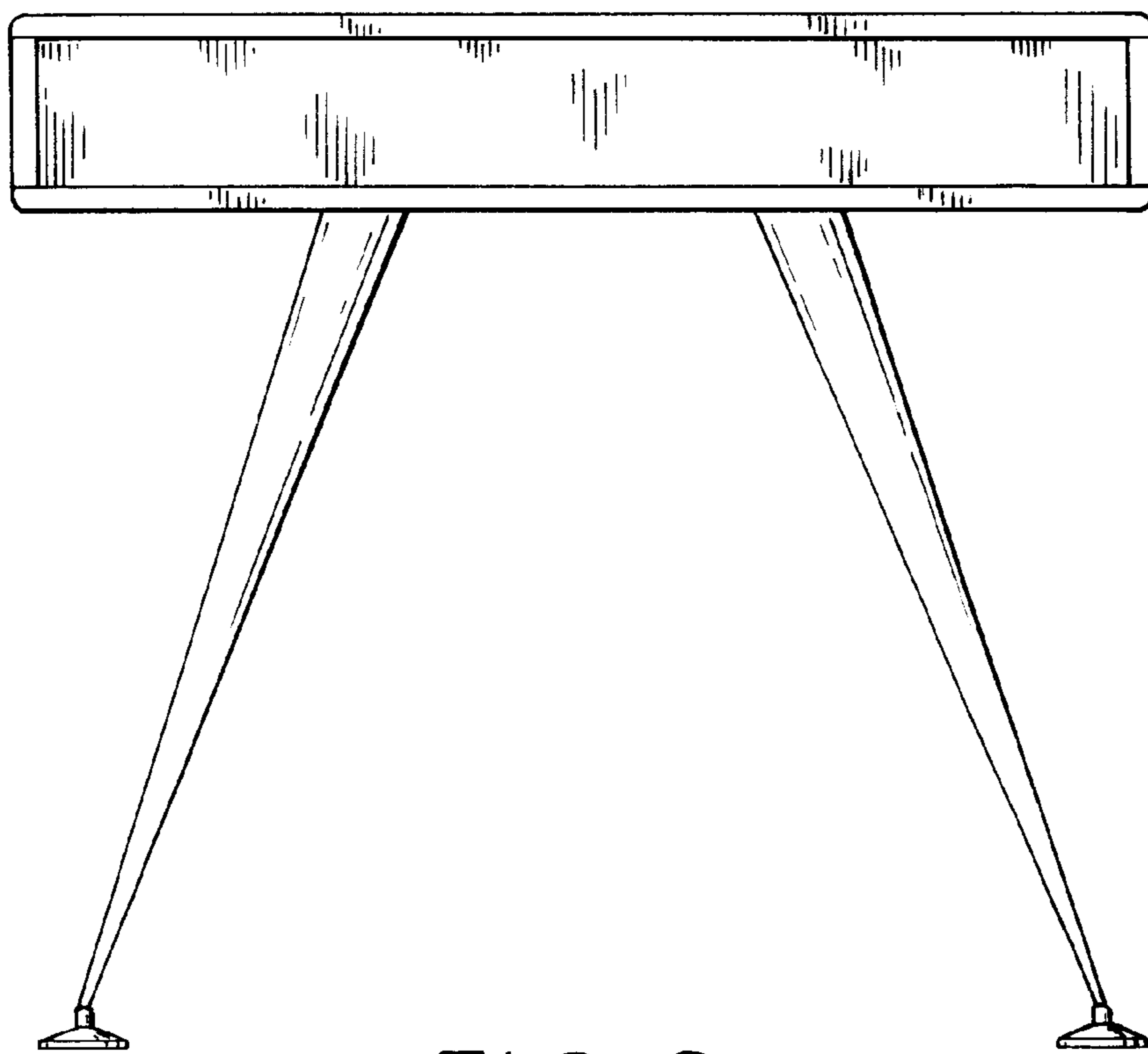


FIG. 2

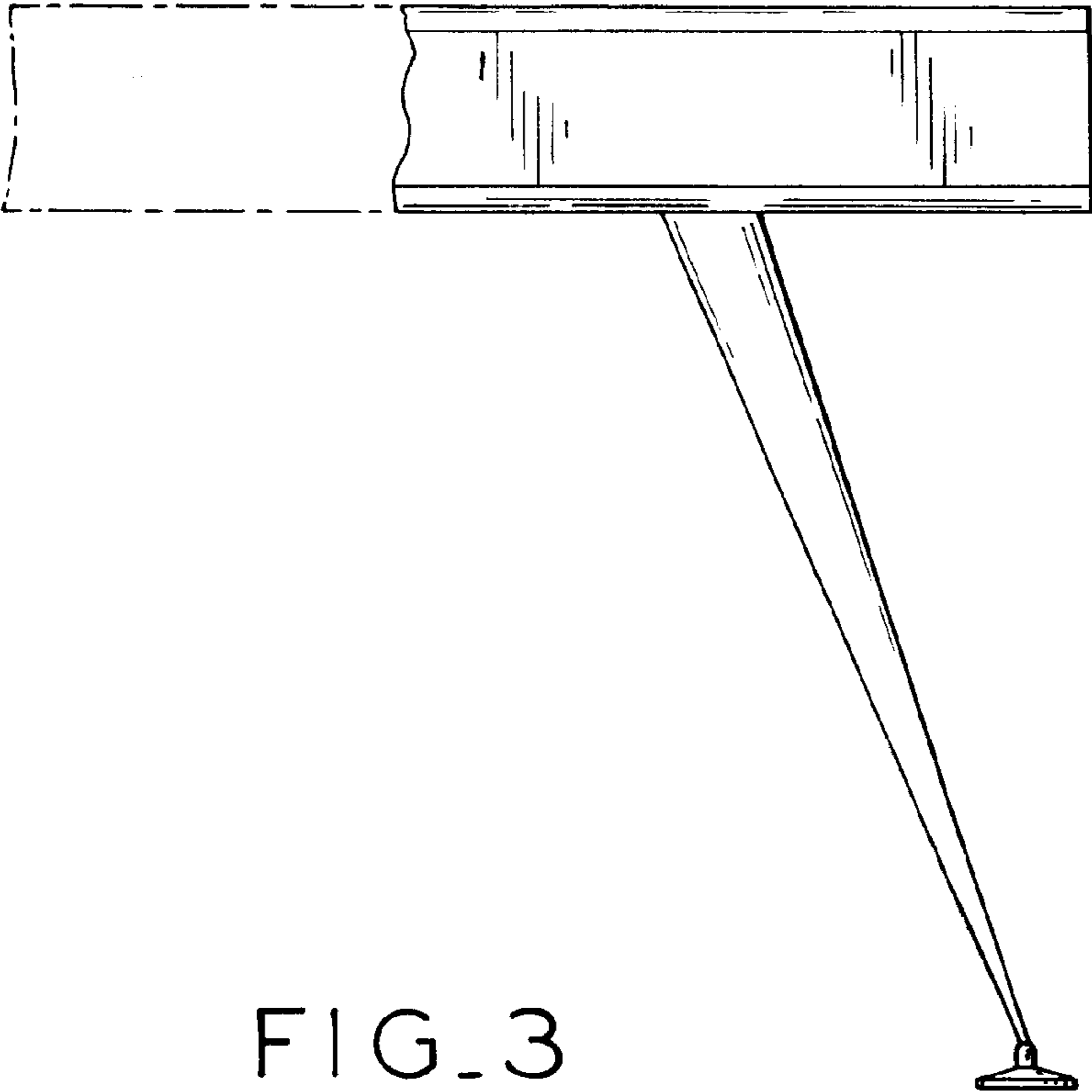


FIG. 3

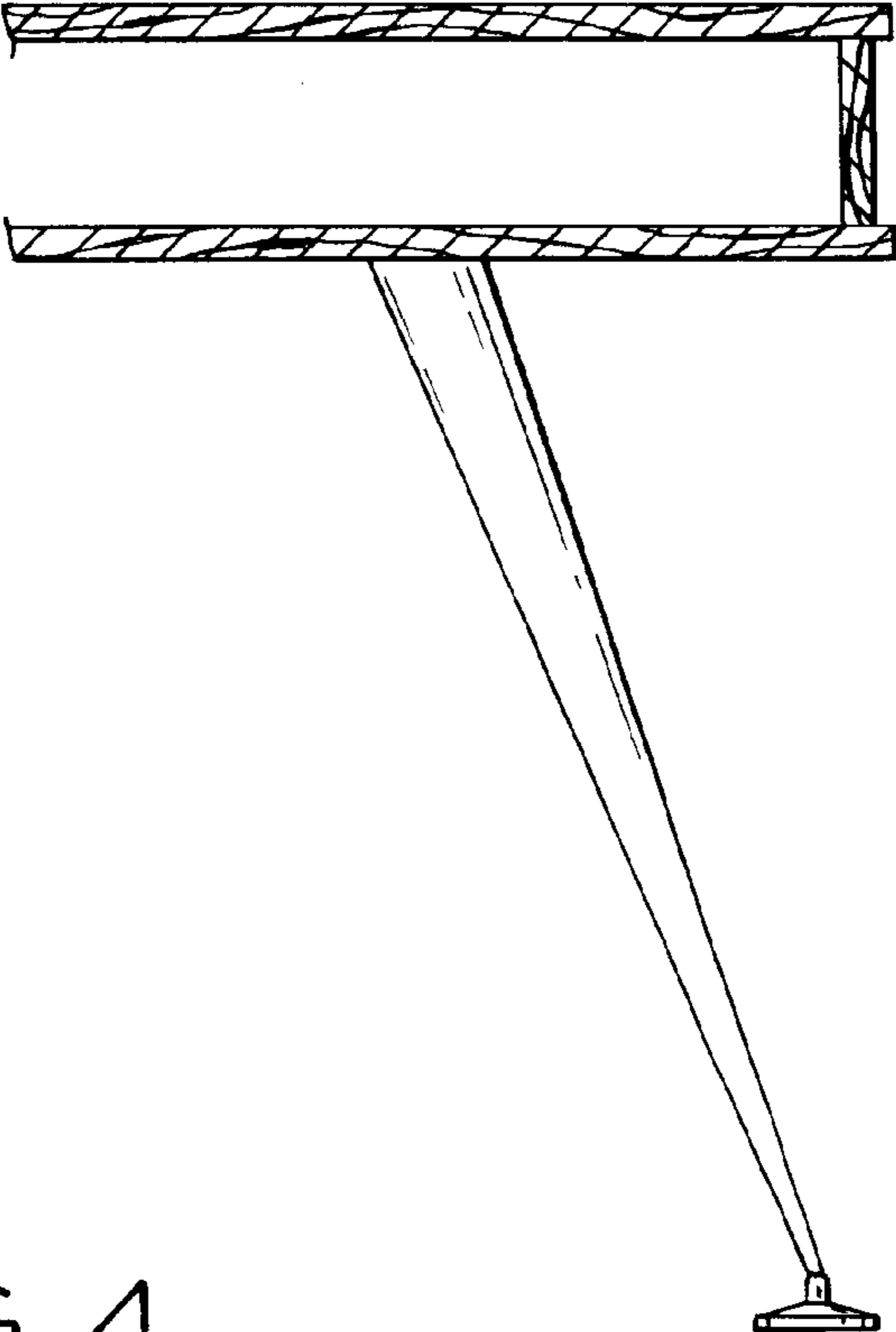


FIG. 4