



US00D513659S

(12) **United States Design Patent**
Collier

(10) **Patent No.:** **US D513,659 S**

(45) **Date of Patent:** **** Jan. 24, 2006**

(54) **PANTS**

(75) **Inventor:** **John Joseph Collier**, New York, NY
(US)

(73) **Assignee:** **Salomon S.A.**, Metz-Tessy (FR)

(**) **Term:** **14 Years**

(21) **Appl. No.:** **29/208,372**

(22) **Filed:** **Jun. 29, 2004**

(51) **LOC (8) Cl.** **02-02**

(52) **U.S. Cl.** **D2/742**

(58) **Field of Classification Search** D2/711-713,
D2/731-732, 738, 742-745; 2/69, 71, 72,
2/78.1, 78.2, 78.3, 76, 79, 236-238, 227,
2/228, 400-408; 450/95, 100

See application file for complete search history.

(56) **References Cited**

U.S. PATENT DOCUMENTS

- D223,077 S * 3/1972 Benrube D2/742
- D359,382 S * 6/1995 Wiggins D2/747
- D370,552 S * 6/1996 Erwin et al. D2/742

- D485,049 S * 1/2004 Newson D2/742
- 2004/0078865 A1 * 4/2004 Culhane 2/69
- 2004/0199980 A1 * 10/2004 Silver 2/227

* cited by examiner

Primary Examiner—Louis S. Zarfes

Assistant Examiner—Melanie Levy

(74) *Attorney, Agent, or Firm*—Greenblum & Bernstein,
P.L.C.

(57) **CLAIM**

I claim the ornamental design for a pants, as shown and described.

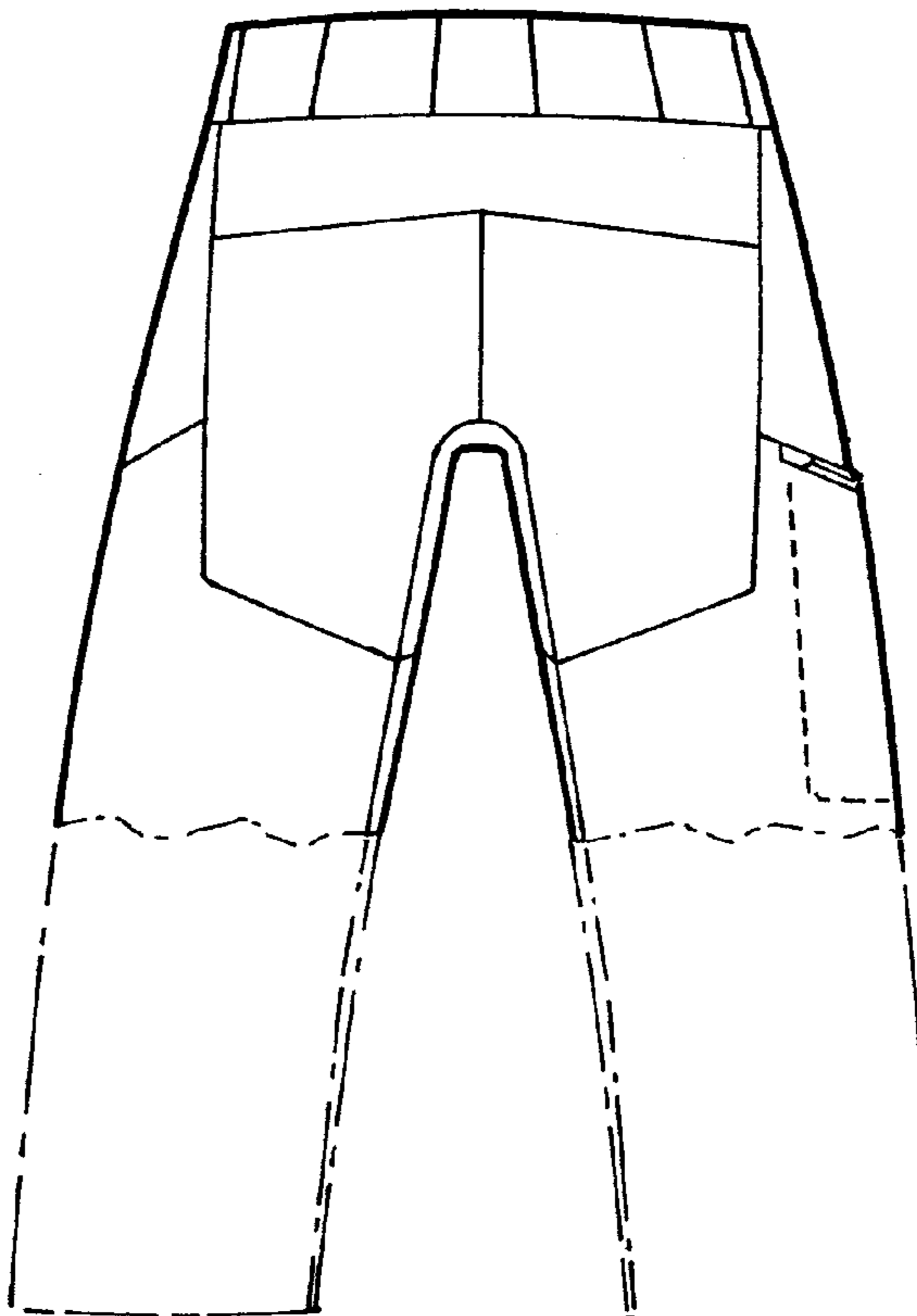
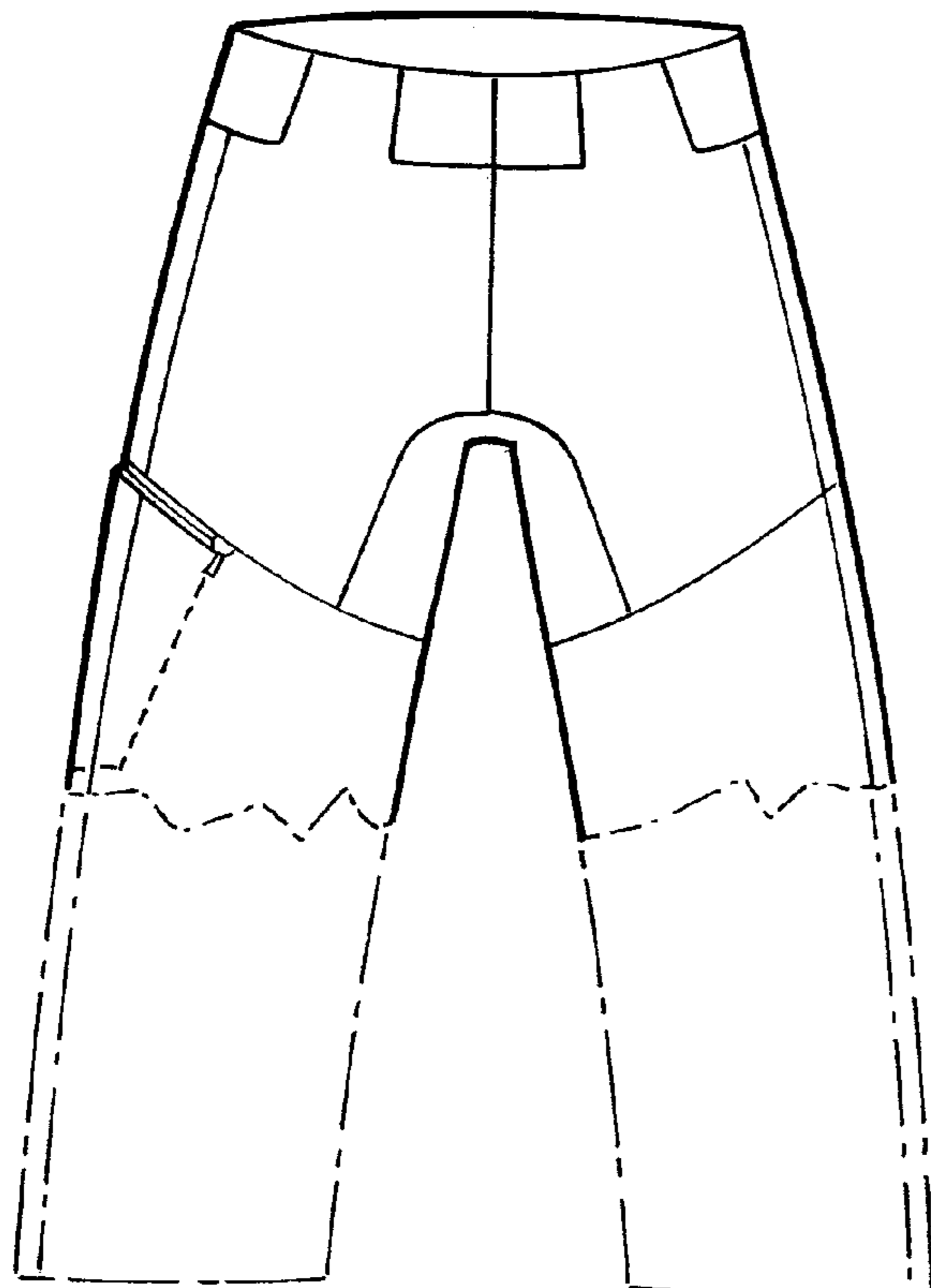
DESCRIPTION

FIG. 1 is a front view of pants showing my new design; and, FIG. 2 is a rear view thereof.

The phantom lines depicting lower leg portions of the garment are for illustrative purposes only and forms no part of the claimed design.

The dashed lines within the boundary of the claimed design are to be understood as representing stitching or a surface treatment resembling stitching.

1 Claim, 1 Drawing Sheet



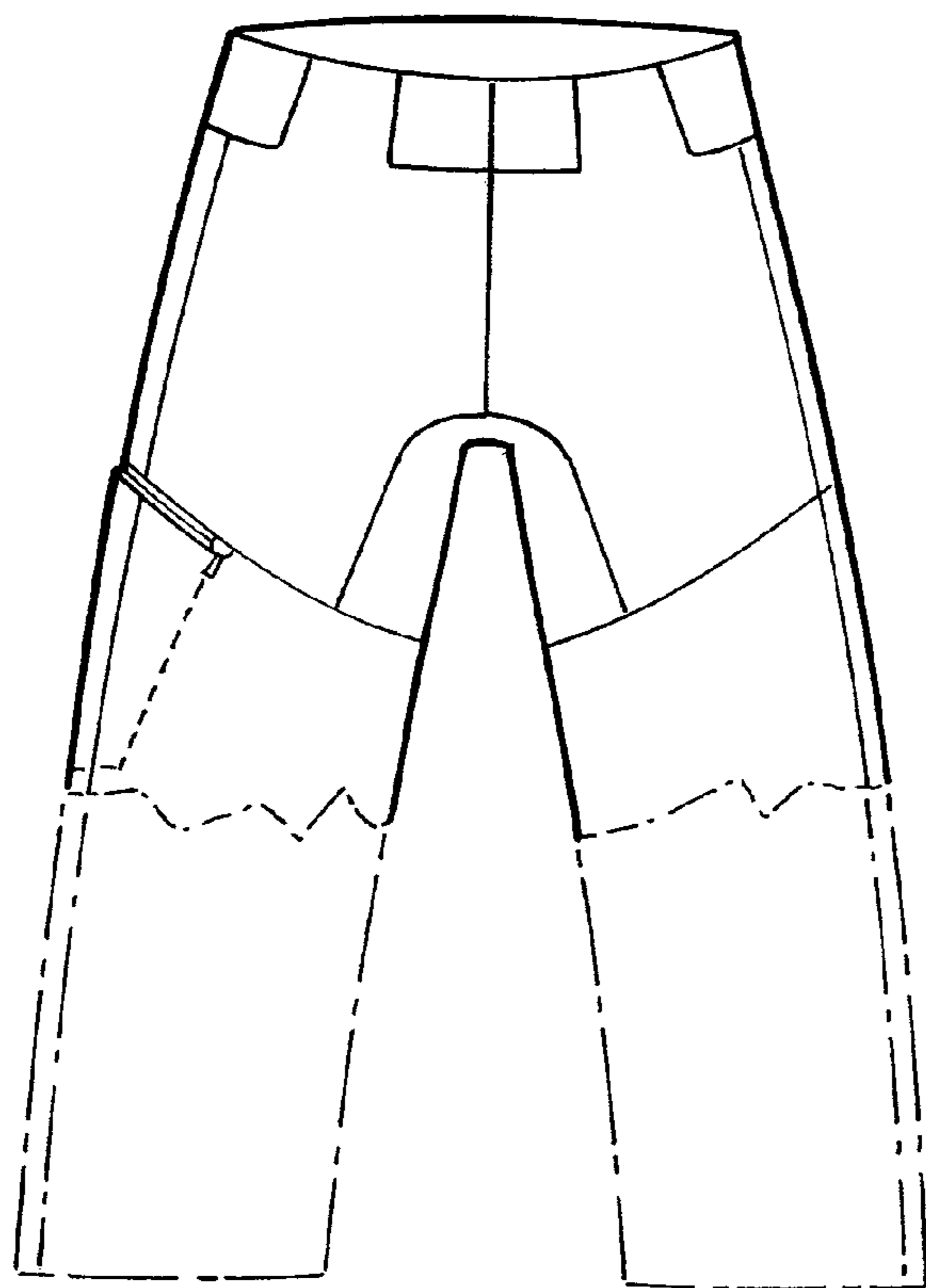


FIG. 1

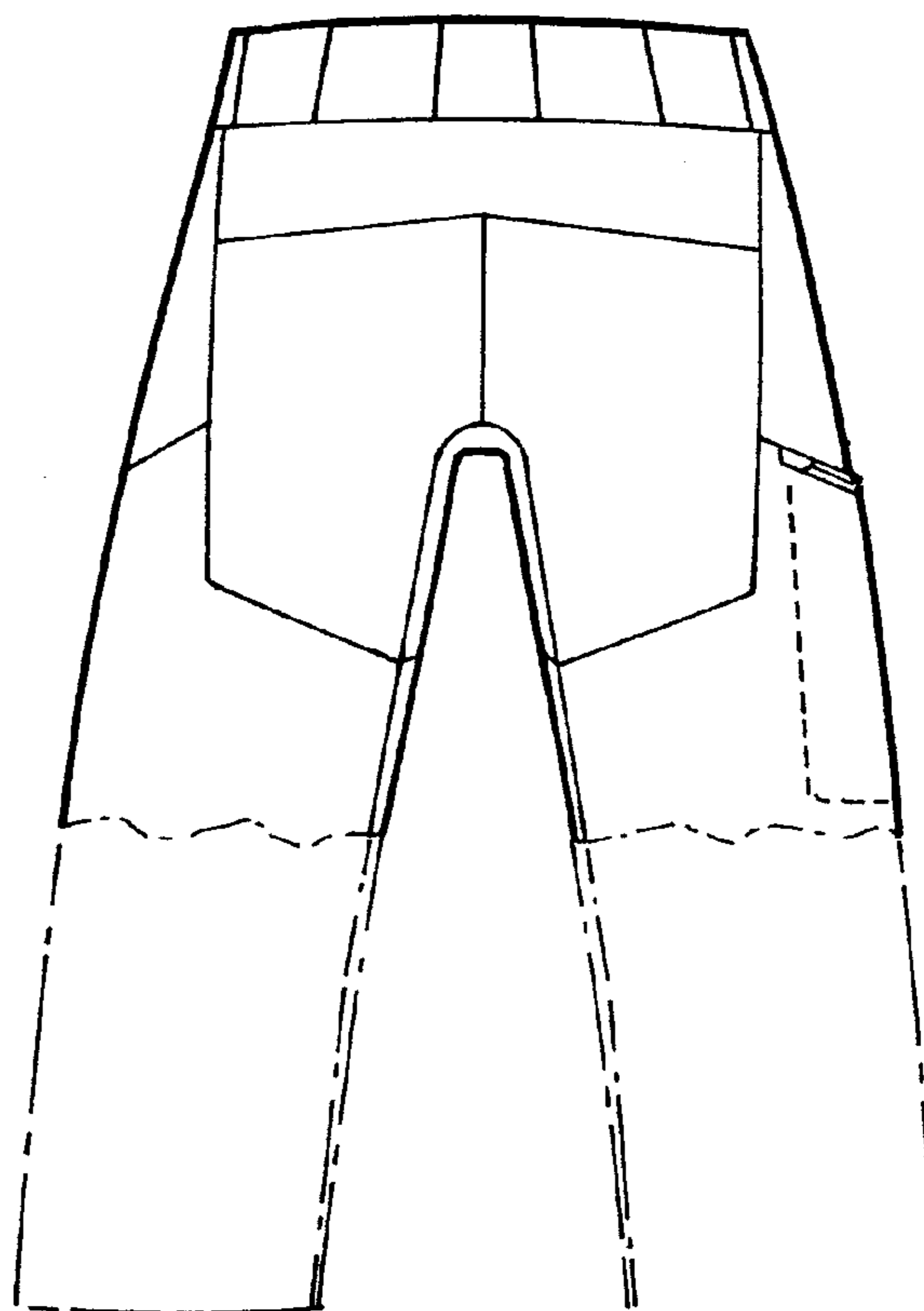


FIG. 2