



US00D513650S

(12) **United States Design Patent**  
**Elliott**

(10) **Patent No.:** **US D513,650 S**

(45) **Date of Patent:** **\*\* Jan. 17, 2006**

(54) **WINCH**

(75) **Inventor:** **Ronald L. Elliott**, Oregon City, OR  
(US)

(73) **Assignee:** **Warn Industries, Inc.**, Milwaukee, OR  
(US)

(\*\*) **Term:** **14 Years**

(21) **Appl. No.:** **29/198,774**

(22) **Filed:** **Feb. 4, 2004**

(51) **LOC (8) Cl.** ..... **12-05**

(52) **U.S. Cl.** ..... **D34/33**

(58) **Field of Classification Search** ..... D34/33,  
D34/28, 35; 254/264, 252, 382, 380, 369;  
294/182.11; 280/490.1

See application file for complete search history.

(56) **References Cited**

**U.S. PATENT DOCUMENTS**

D196,373 S	*	9/1963	Mullins	.....	D34/33
3,537,686 A	*	11/1970	McKendrick	.....	254/264
D307,965 S	*	5/1990	Eley et al.	.....	D34/33
D309,969 S	*	8/1990	Tamura	.....	D34/33
D327,355 S	*	6/1992	Nordenberg	.....	D34/33
5,522,582 A	*	6/1996	Dilks	.....	254/323

D411,364 S	*	6/1999	Sasaki et al.	.....	D34/33
6,073,917 A	*	6/2000	Plummer	.....	254/389
D439,722 S	*	3/2001	Huang	.....	D34/33
D459,048 S	*	6/2002	Leemans	.....	D34/33
D471,338 S		3/2003	Hodge		
D473,992 S		4/2003	Hodge		
D475,499 S		6/2003	Hodge		
D479,899 S		9/2003	Hodge		
D489,157 S	*	4/2004	Lawson	.....	D34/33
D491,333 S	*	6/2004	Blasek	.....	D34/33

\* cited by examiner

*Primary Examiner*—Cynthia E. Ramirez

(74) *Attorney, Agent, or Firm*—Harness, Dickey & Pierce, P.L.C.

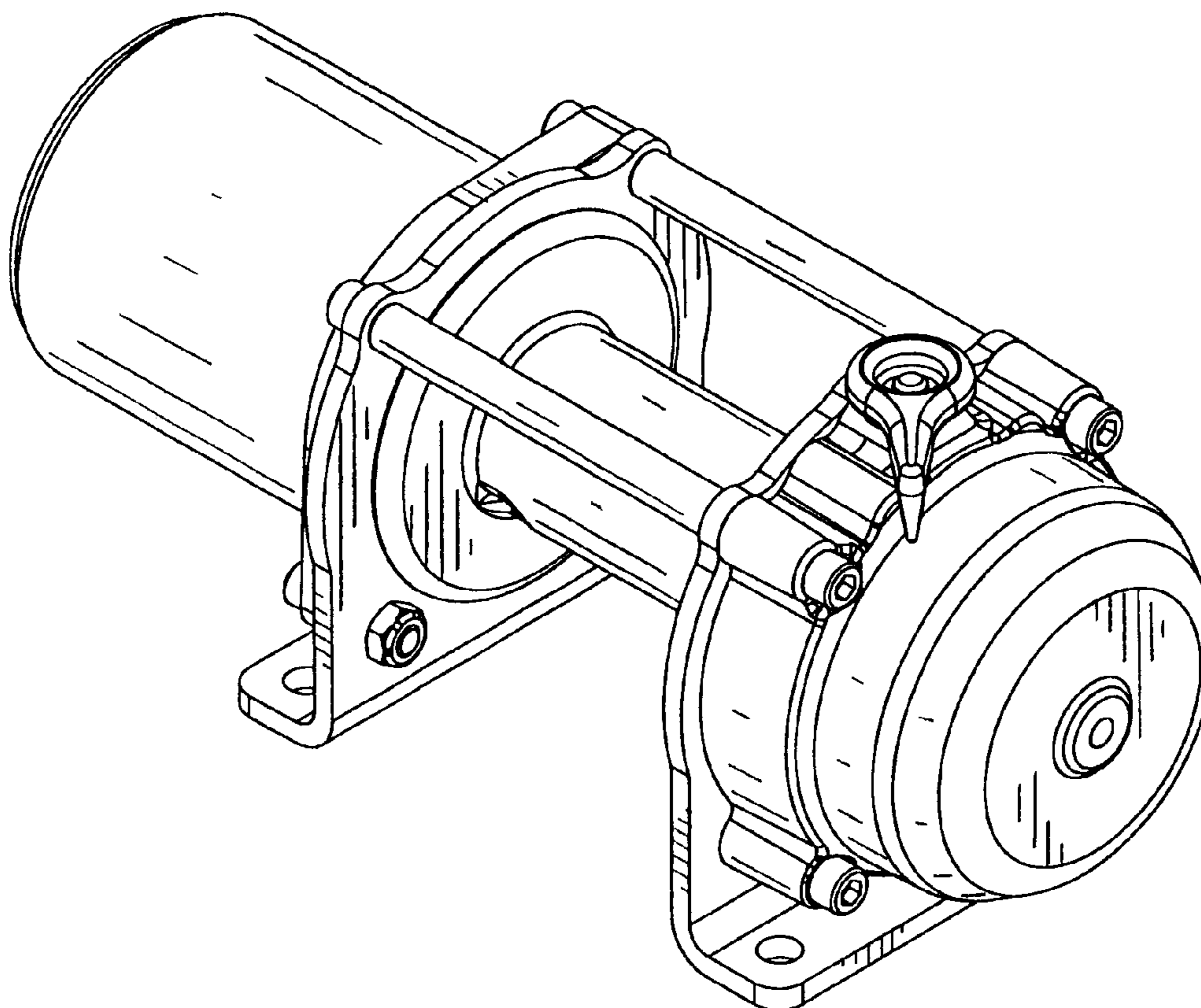
(57) **CLAIM**

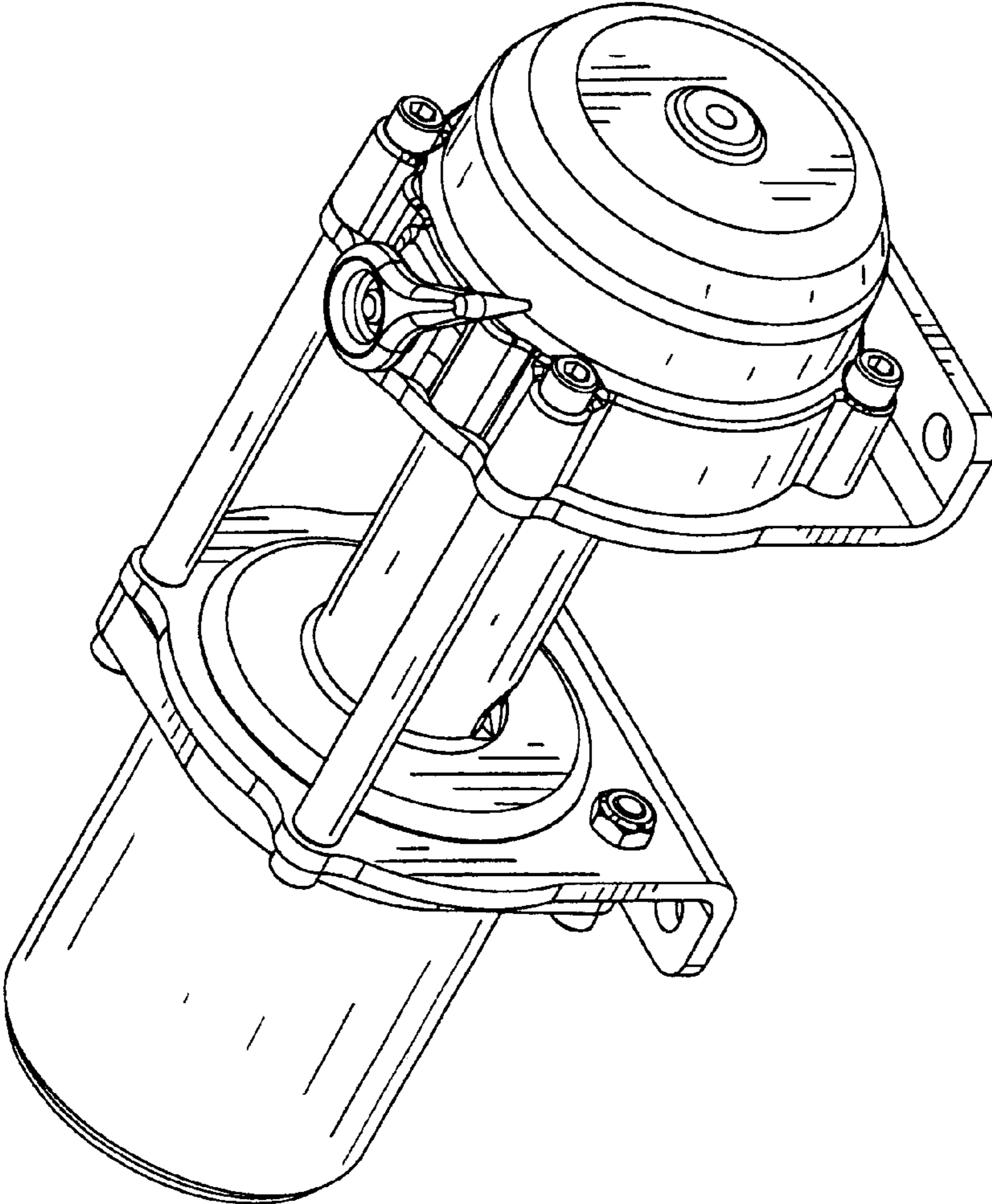
The ornamental design for a winch, as shown and described.

**DESCRIPTION**

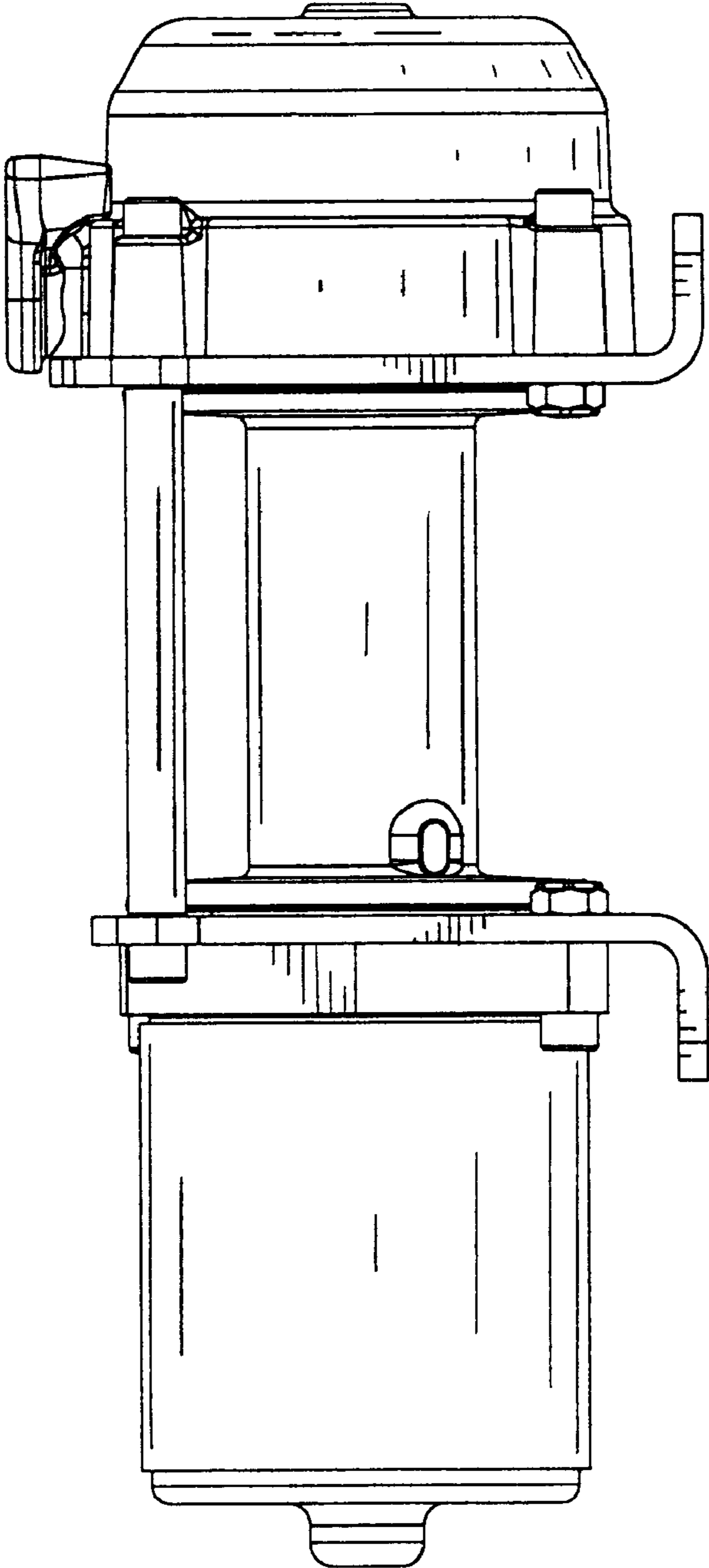
FIG. 1 is a front perspective view of a winch;  
FIG. 2 is a left side elevational view thereof;  
FIG. 3 is a right side elevational view thereof;  
FIG. 4 is a top planar view thereof;  
FIG. 5 is a front elevational view thereof;  
FIG. 6 is a rear elevational view thereof; and,  
FIG. 7 is a bottom planar view thereof.

**1 Claim, 7 Drawing Sheets**

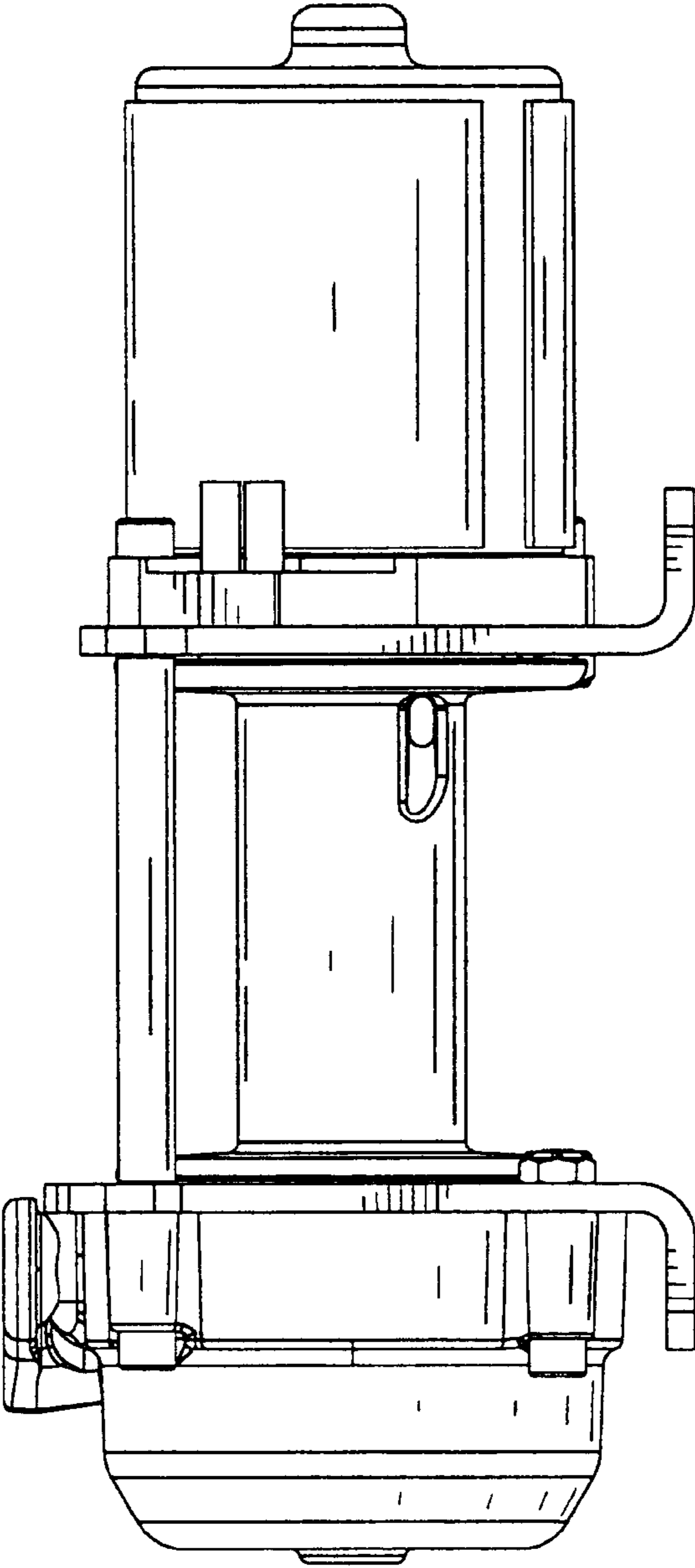




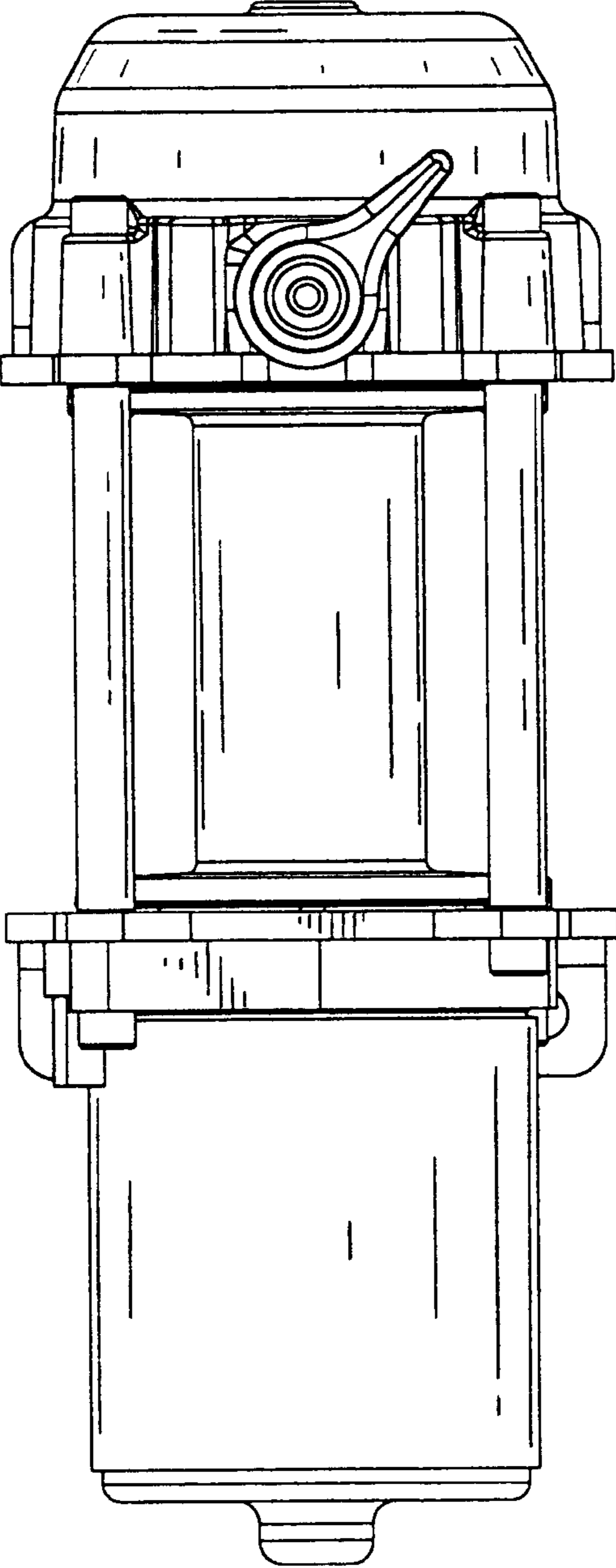
**FIG. 1**



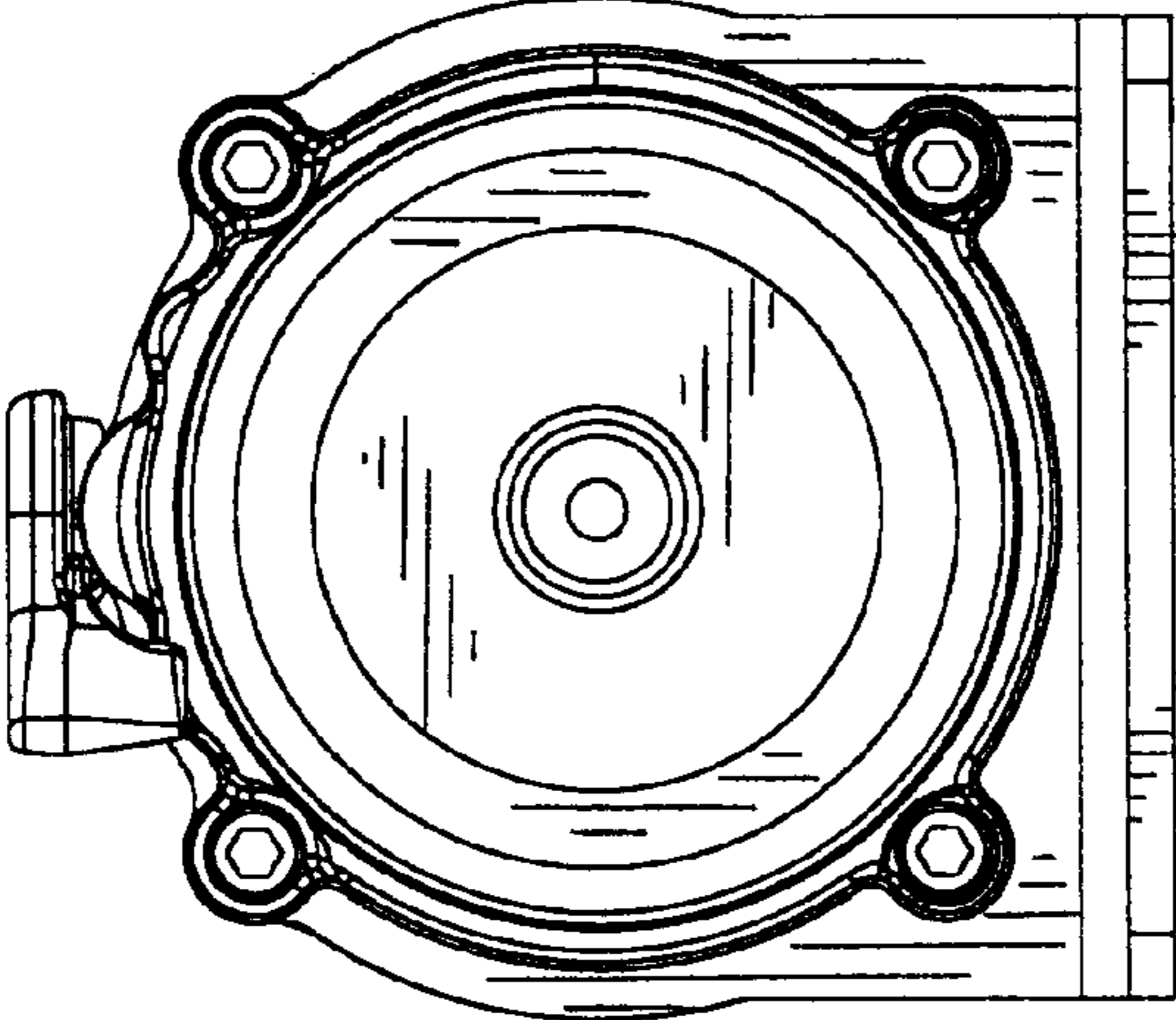
**FIG. 2**



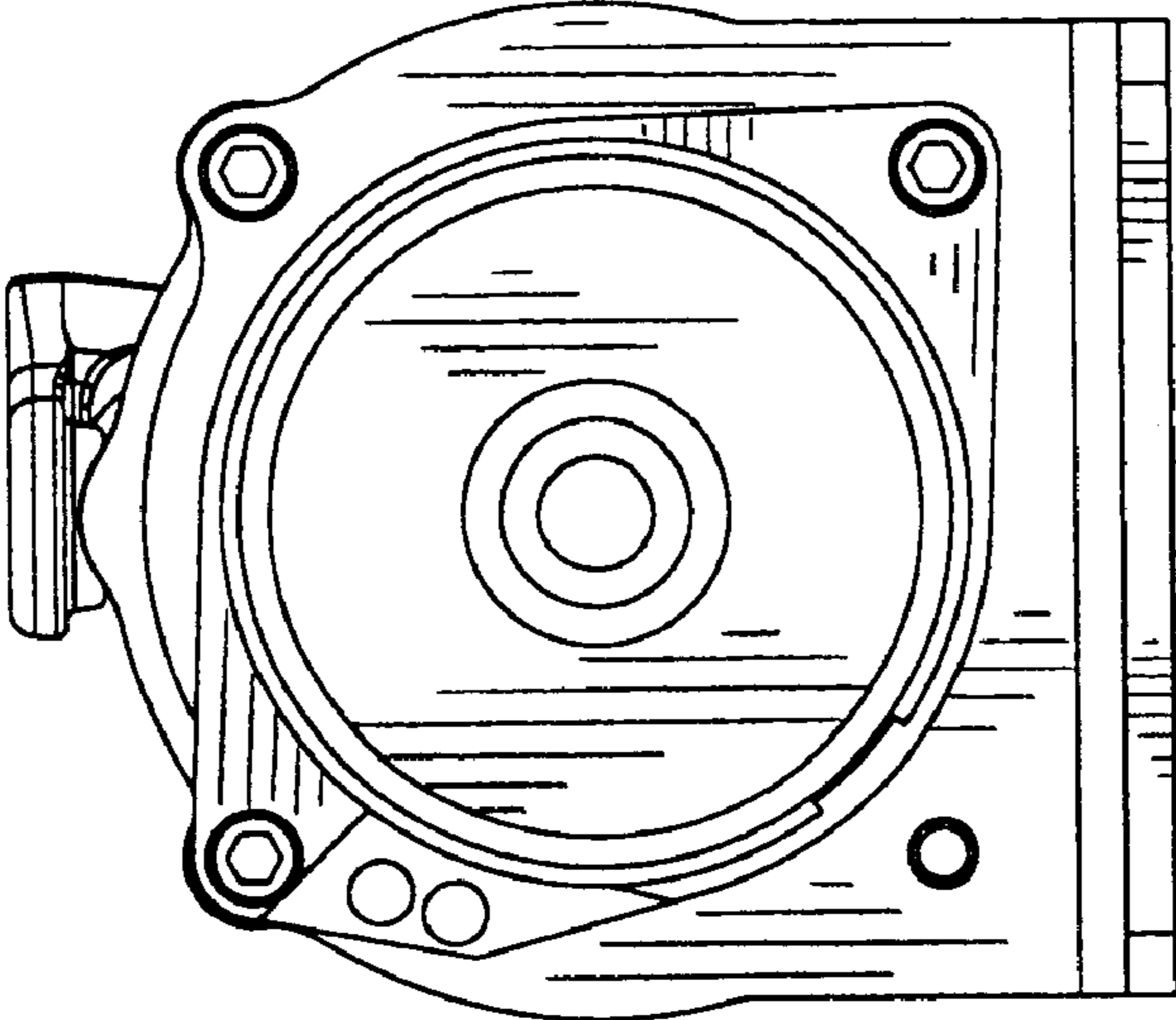
**FIG. 3**



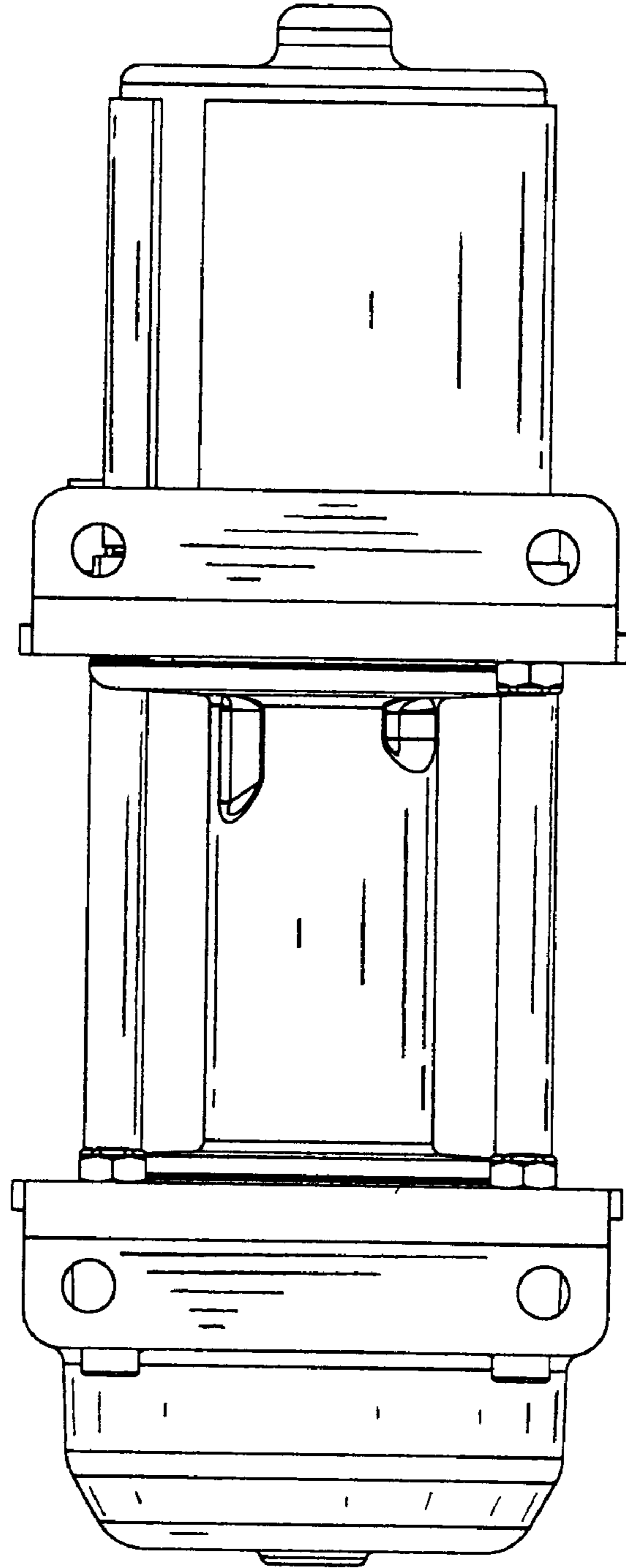
**FIG. 4**



**FIG. 5**



**FIG. 6**



**FIG. 7**