



US00D513648S

(12) **United States Design Patent**
Moine et al.

(10) **Patent No.:** **US D513,648 S**
(45) **Date of Patent:** **** Jan. 17, 2006**

(54) **TANK FOR A PORTABLE CLEANING MACHINE**

(75) Inventors: **David W. Moine**, North Canton, OH (US); **Ronald J. Stephens**, Rittman, OH (US); **William G. Alford**, Canton, OH (US); **Richard S. Parr**, Uniontown, OH (US); **Douglas C. Barker**, Canton, OH (US)

(73) Assignee: **The Hoover Company**, North Canton, OH (US)

(**) Term: **14 Years**

(21) Appl. No.: **29/216,348**

(22) Filed: **Nov. 2, 2004**

(51) **LOC (8) Cl.** **15-05**

(52) **U.S. Cl.** **D32/31**

(58) **Field of Classification Search** D32/15-16, D32/21, 22, 25, 30-34; 15/50.1, 79.1, 320-323, 15/335, 340.1, 347-353, 361, 410, 415.1; 180/19.3; 55/337, DIG. 3, 345; 95/271; 239/104
See application file for complete search history.

(56) **References Cited**

U.S. PATENT DOCUMENTS

D358,241 S * 5/1995 Bradd D32/22

D381,779 S * 7/1997 Pritchett et al. D32/21
6,253,414 B1 * 7/2001 Bradd et al. 15/320
D455,530 S * 4/2002 Fujii D32/22
D473,981 S * 4/2003 Wareham D32/22
D486,614 S * 2/2004 Beauchamp et al. D32/21
D488,893 S * 4/2004 Moine et al. D32/22
D488,894 S * 4/2004 Leyden D32/22
D496,763 S * 9/2004 Chen D32/16
2004/0187250 A1 * 9/2004 Leonatti et al. 15/320

* cited by examiner

Primary Examiner—Ruth McInroy

(74) *Attorney, Agent, or Firm*—A. Burgess Lowe; Michael J. Corrigan

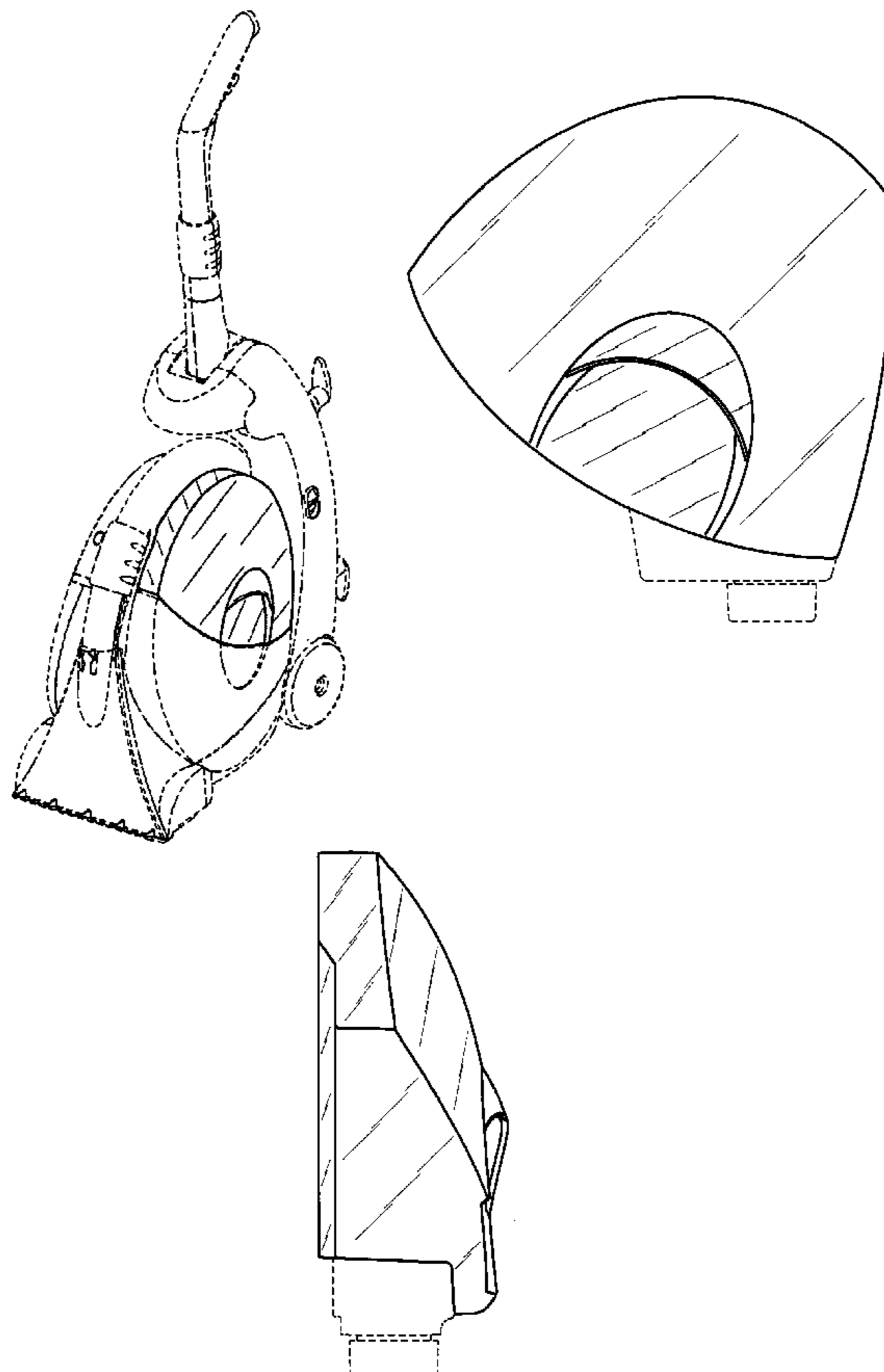
(57) **CLAIM**

The ornamental design for a tank for a portable cleaning machine, as shown and described.

DESCRIPTION

FIG. 1 is a perspective view of a tank for a portable cleaning machine showing our new design; FIG. 2 is an enlarged perspective view thereof; FIG. 3 is a left side view thereof; FIG. 4 is a top side view thereof; FIG. 5 is a right side view thereof; FIG. 6 is a bottom view thereof; FIG. 7 is a front view thereof; and, FIG. 8 is a rear view thereof.

1 Claim, 5 Drawing Sheets



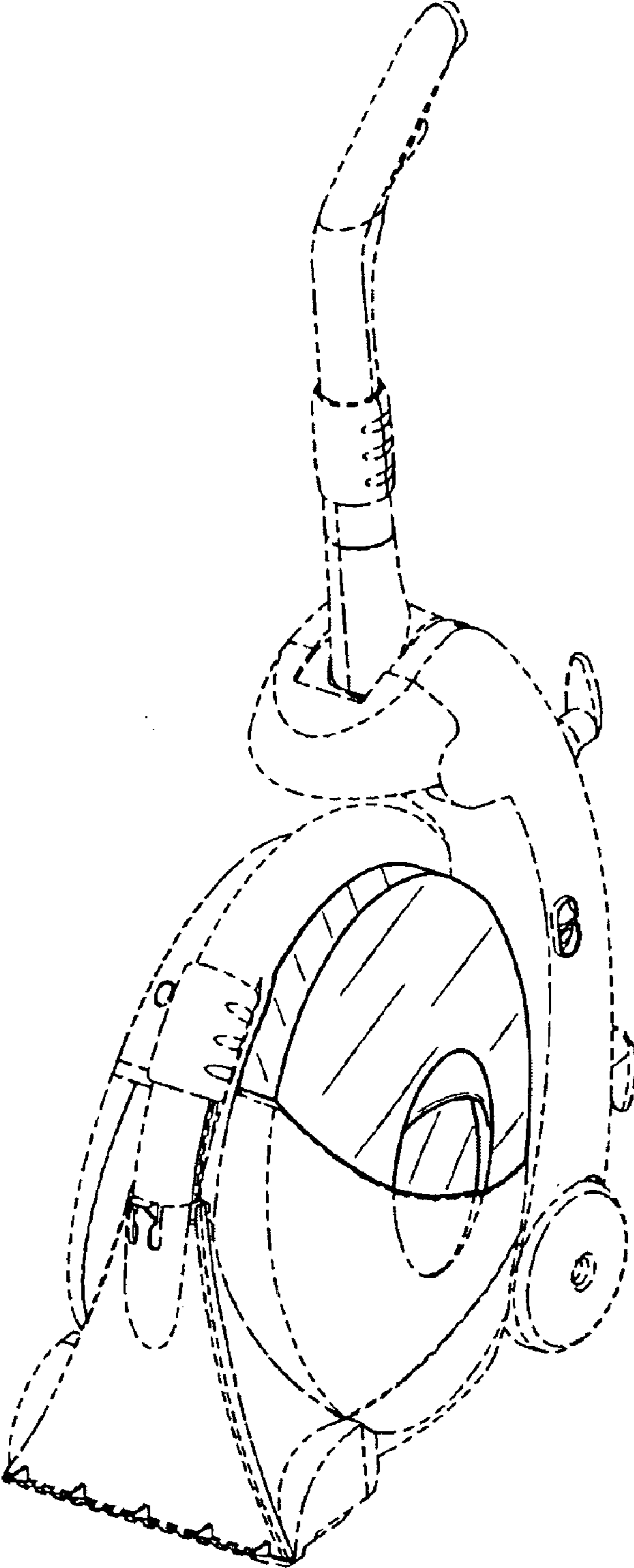


FIG-1

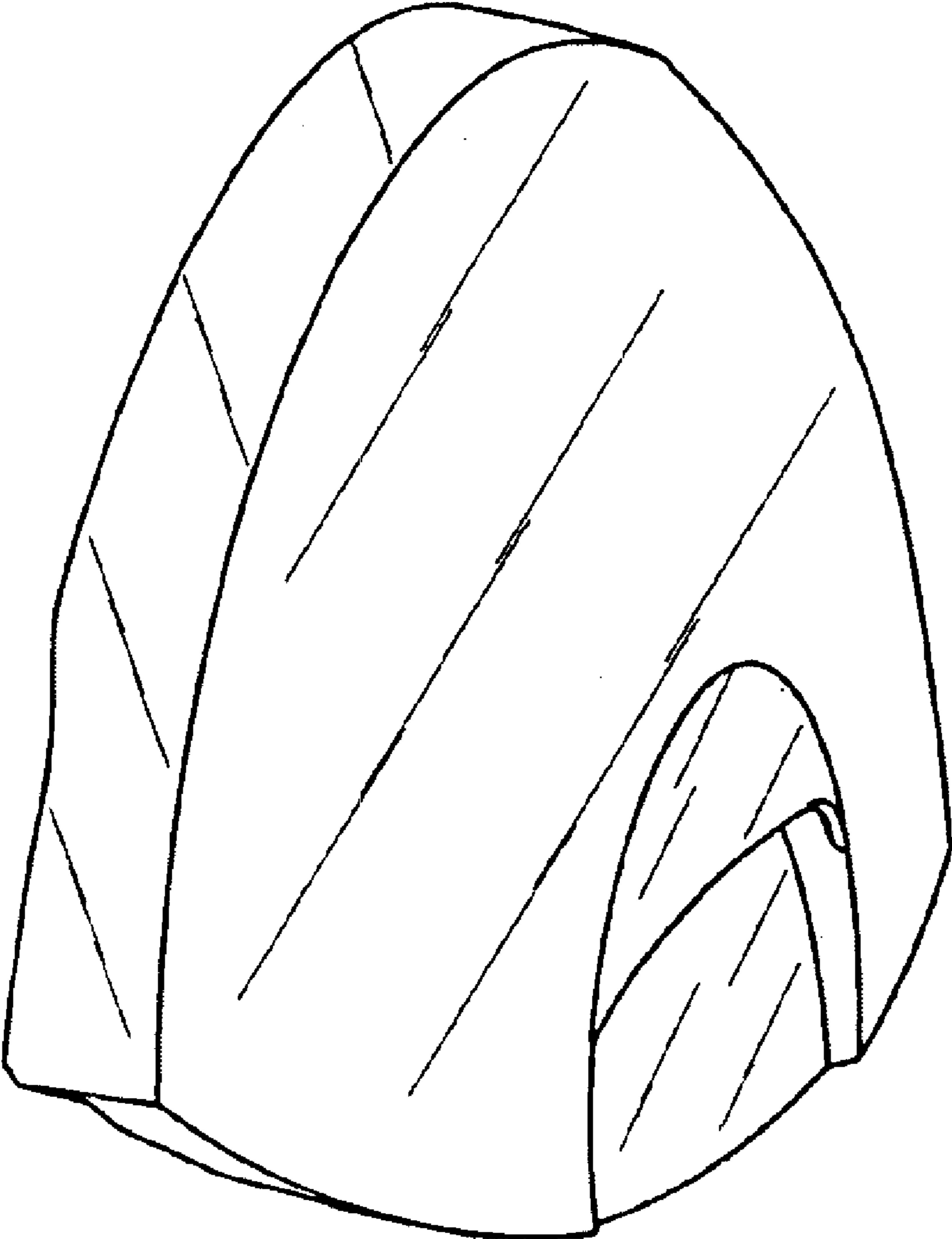


FIG-2

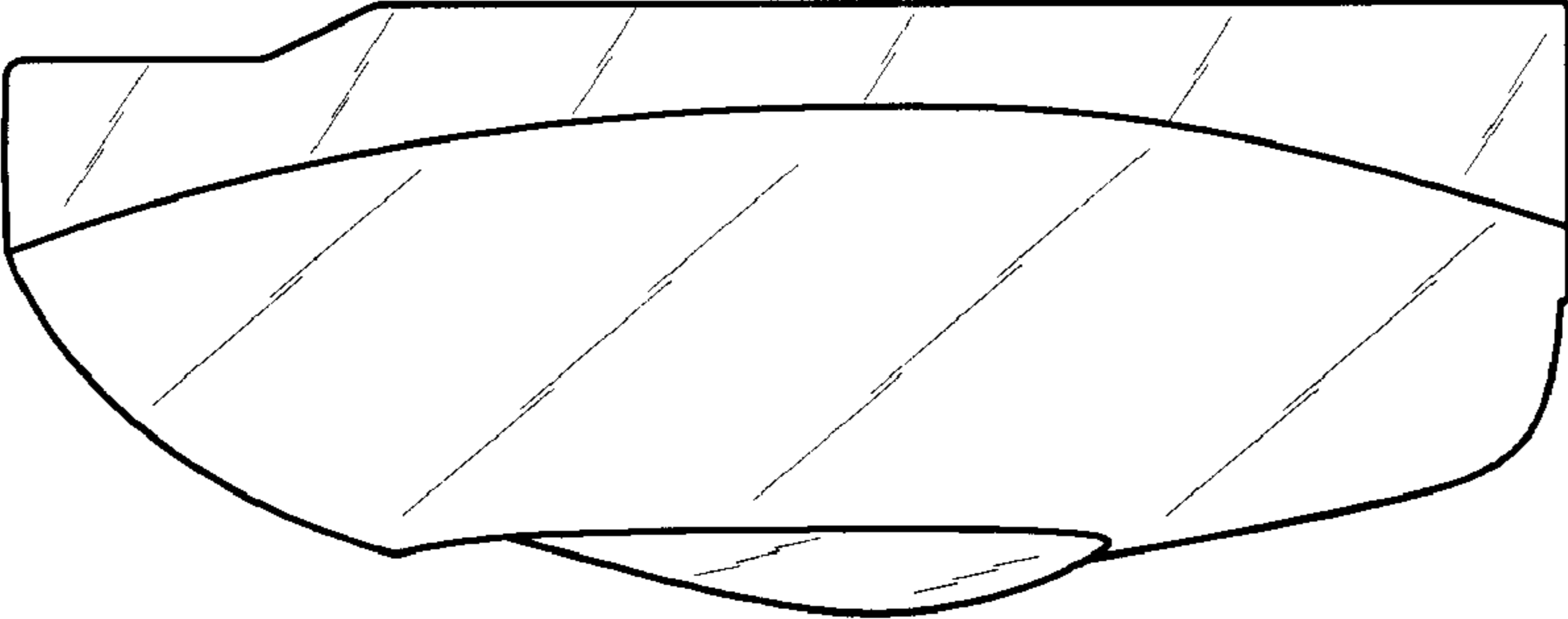


FIG-4

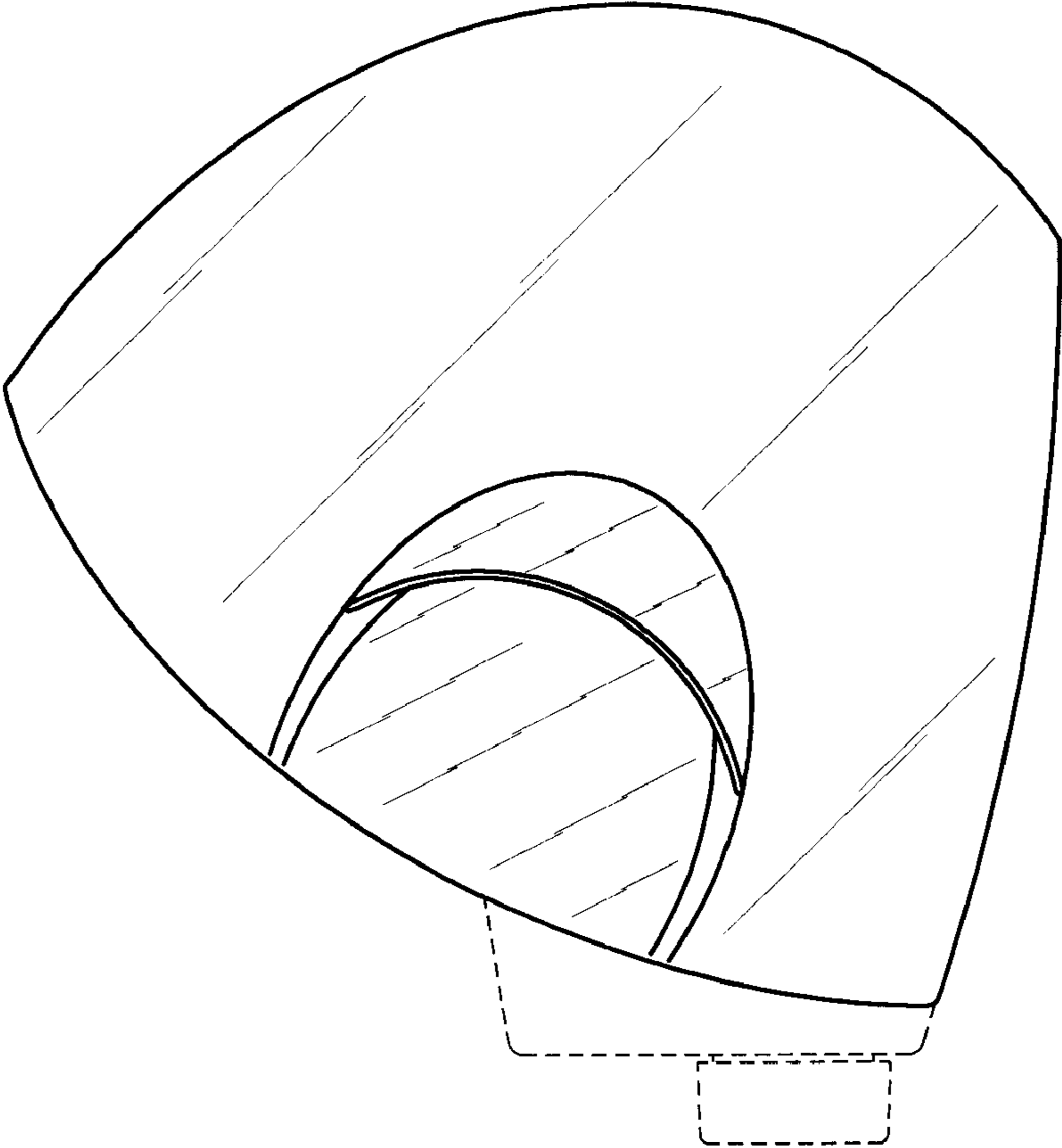


FIG-3

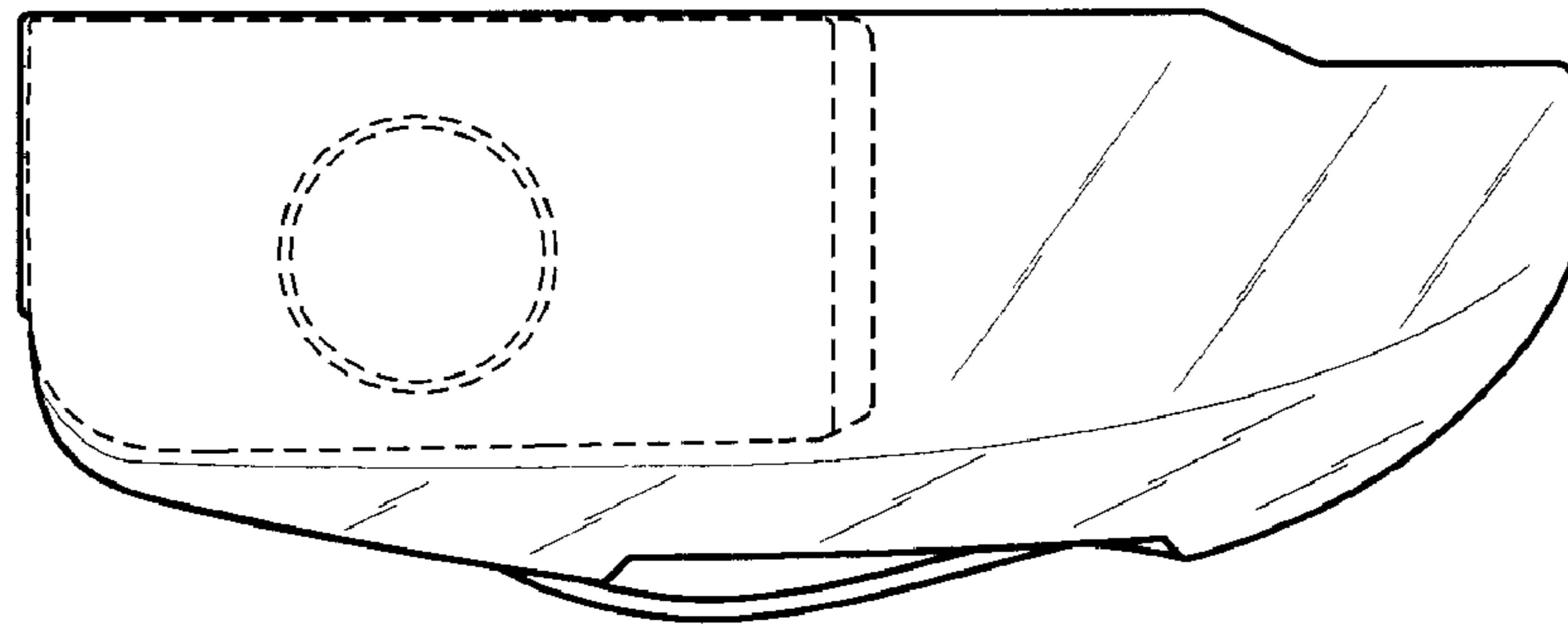


FIG-6

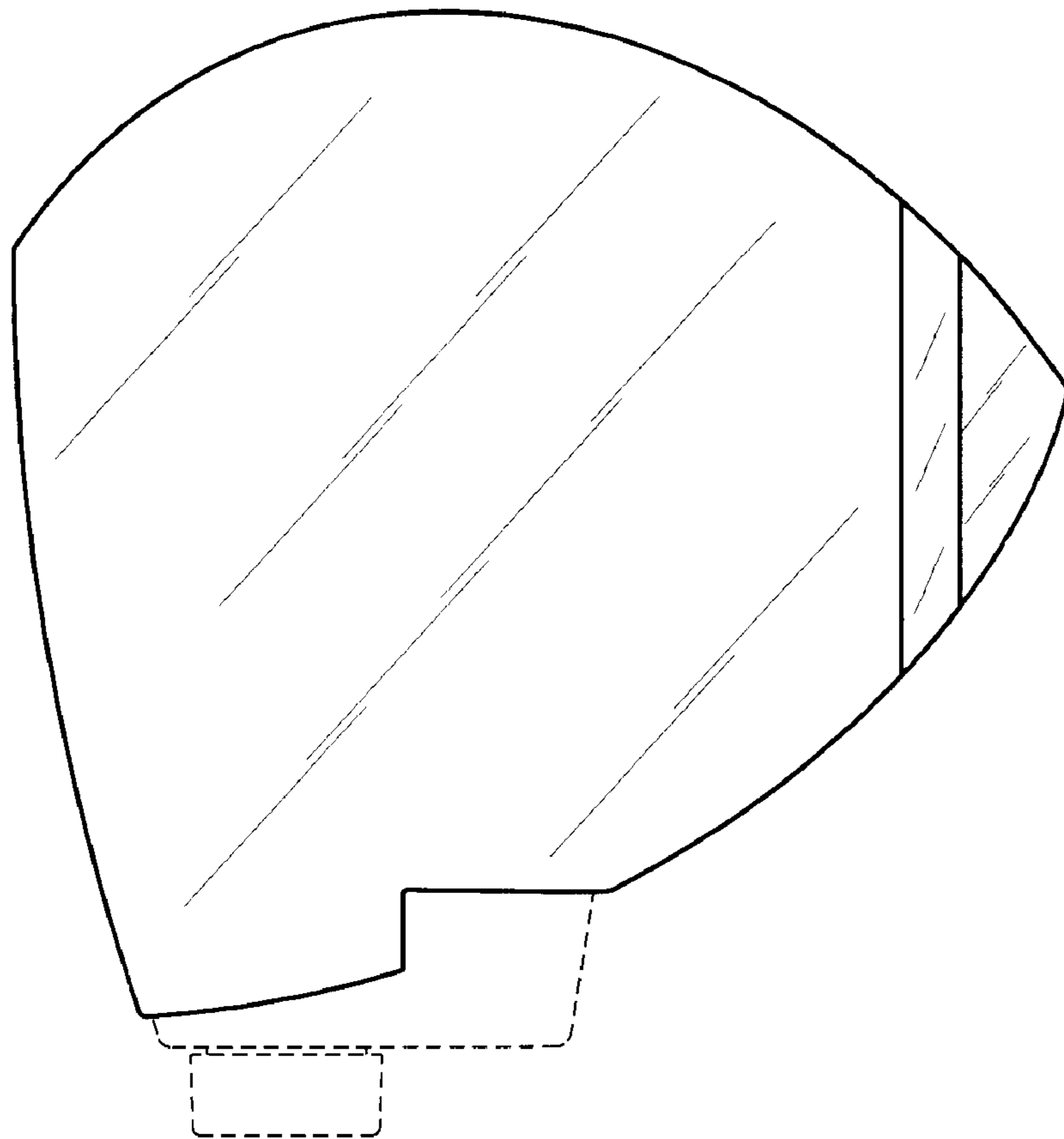


FIG-5

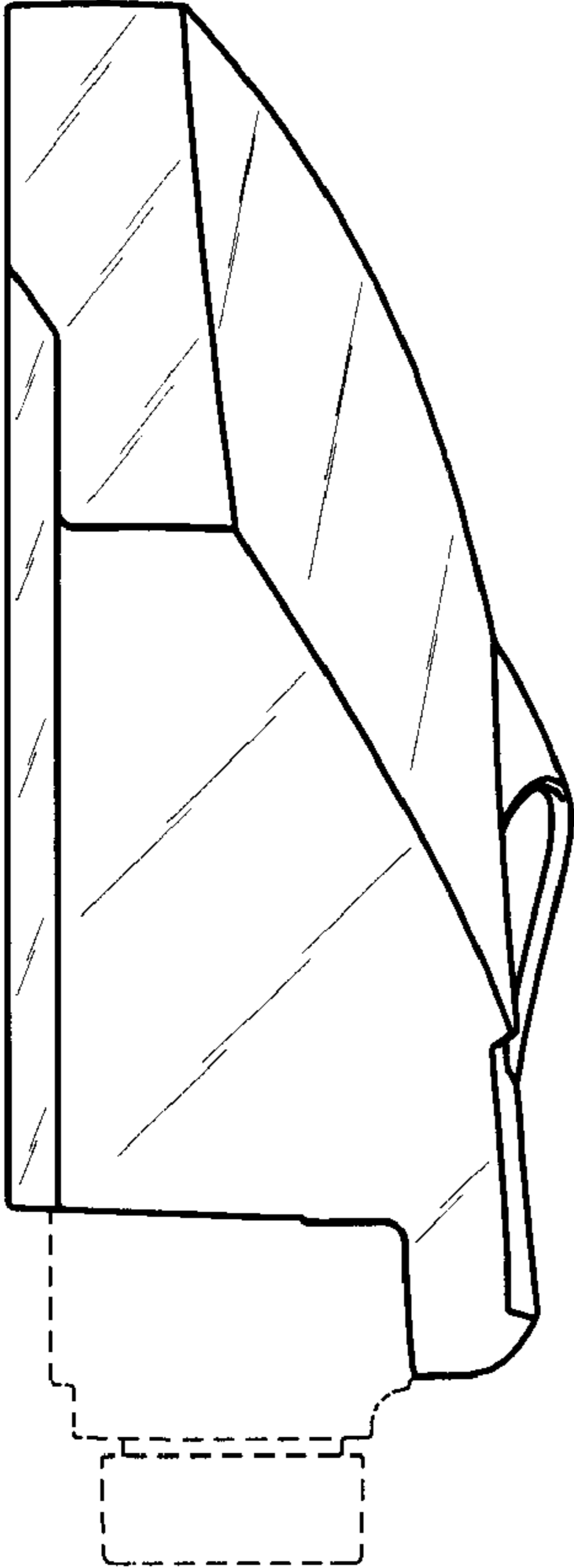


FIG-7

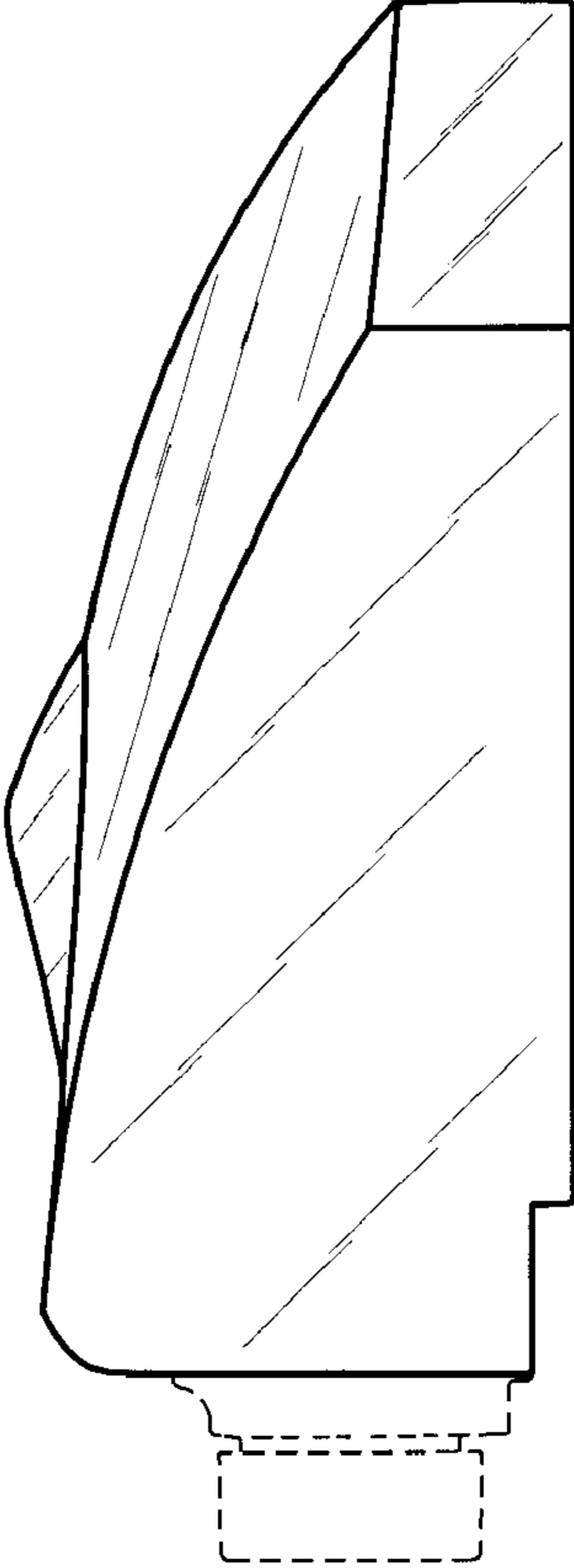


FIG-8