



US00D513647S

(12) **United States Design Patent**  
**Farshid**

(10) **Patent No.:** **US D513,647 S**  
(45) **Date of Patent:** **\*\* Jan. 17, 2006**

(54) **TORSO PROTECTOR**

(75) Inventor: **Amir Farshid, Ottawa (CA)**

(73) Assignee: **Med-Eng Systems Inc., Ontario (CA)**

(\*\*) Term: **14 Years**

(21) Appl. No.: **29/220,924**

(22) Filed: **Jan. 7, 2005**

(51) **LOC (8) Cl.** ..... **29-02**

(52) **U.S. Cl.** ..... **D29/100; D29/101.3**

(58) **Field of Classification Search** ..... **D29/100,**  
**D29/101.1, 101.2, 101.3, 101.4, 101.5; D2/829;**  
**2/2.5, 92, 102, 455, 456, 462, 463, 464, 913,**  
**2/24, 467; 441/88, 106**

See application file for complete search history.

(56) **References Cited**

**U.S. PATENT DOCUMENTS**

295,543 A	*	3/1884	Gray	.....	2/463
932,352 A	*	8/1909	Sullivan	.....	D29/101.3
1,574,188 A	*	2/1926	Friedman	.....	2/2.5
1,670,239 A	*	5/1928	Cline	.....	2/463
2,076,076 A	*	4/1937	Dunlap	.....	2/2.5
2,239,223 A	*	4/1941	Gilman	.....	2/463
D245,731 S	*	9/1977	Bargsten	.....	D29/101.3
4,525,875 A	*	7/1985	Tomczak	.....	2/2.5
4,774,724 A	*	10/1988	Sacks	.....	2/2.5
D366,133 S	*	1/1996	McLea	.....	D2/860
5,495,621 A	*	3/1996	Kibbee	.....	2/102

6,035,452 A	*	3/2000	Braxton	.....	2/24
D484,648 S	*	12/2003	Fiorini et al.	.....	D29/100
2003/0066116 A1		4/2003	Graves et al.	.....	2/2.5

**OTHER PUBLICATIONS**

Body protectors, 1966 Spalding catalogue, page unidentified.\*

\* cited by examiner

*Primary Examiner*—Gary D. Watson

*Assistant Examiner*—T. Chase Nelson

(74) *Attorney, Agent, or Firm*—Woodard, Emhardt, Moriarty, McNett & Henry LLP

(57) **CLAIM**

The ornamental design for a torso protector, as shown and described.

**DESCRIPTION**

FIG. 1 is a front view of the torso protector embodying the design;

FIG. 2 is a rear view thereof;

FIG. 3 is a left-side view thereof;

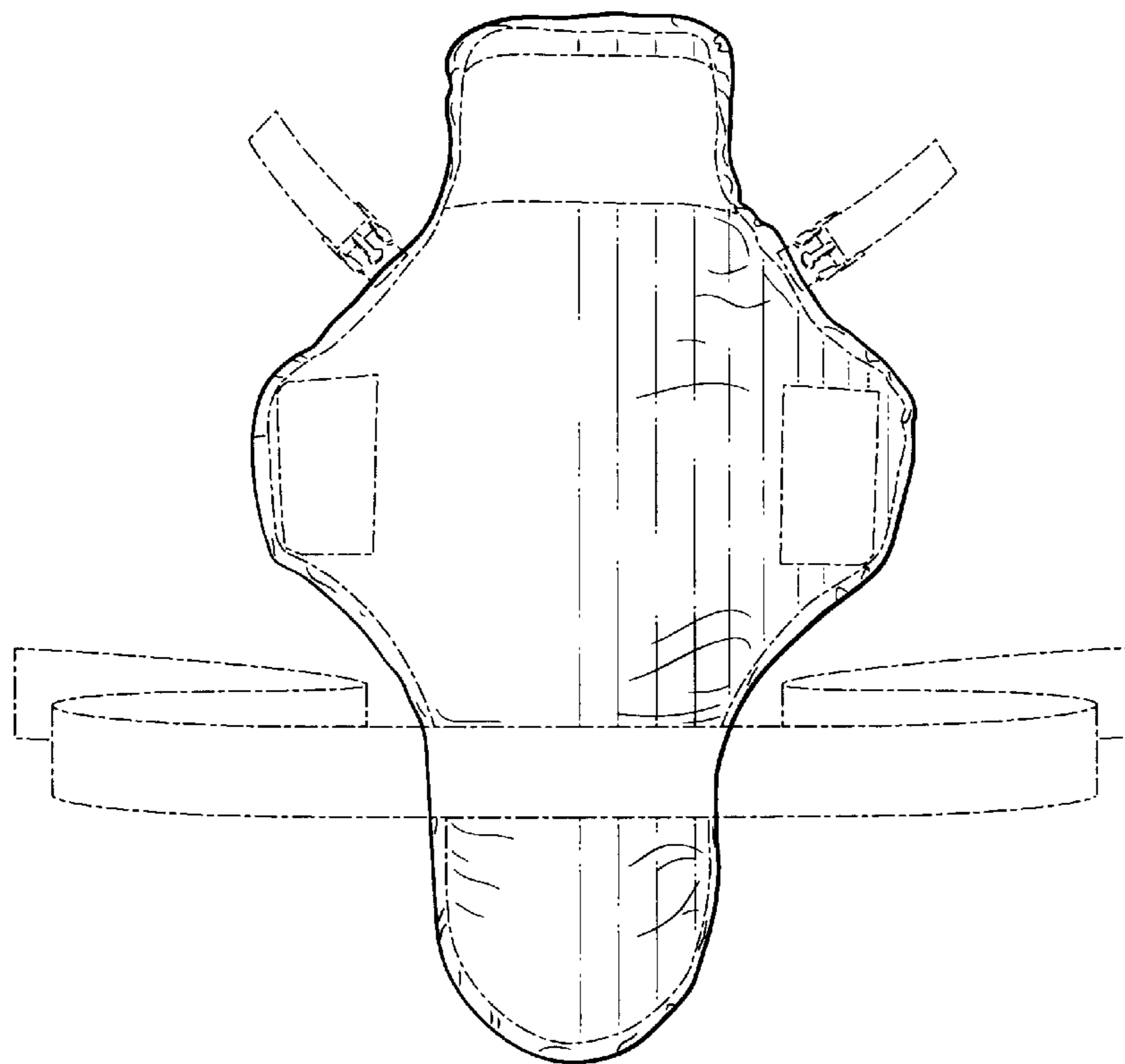
FIG. 4 is a right-side view thereof;

FIG. 5 is a top view thereof; and,

FIG. 6 is a bottom view thereof.

The broken lines in FIGS. 1 to 6 show elements and areas that are part of the environment of the design and form no part of the design claimed.

**1 Claim, 4 Drawing Sheets**



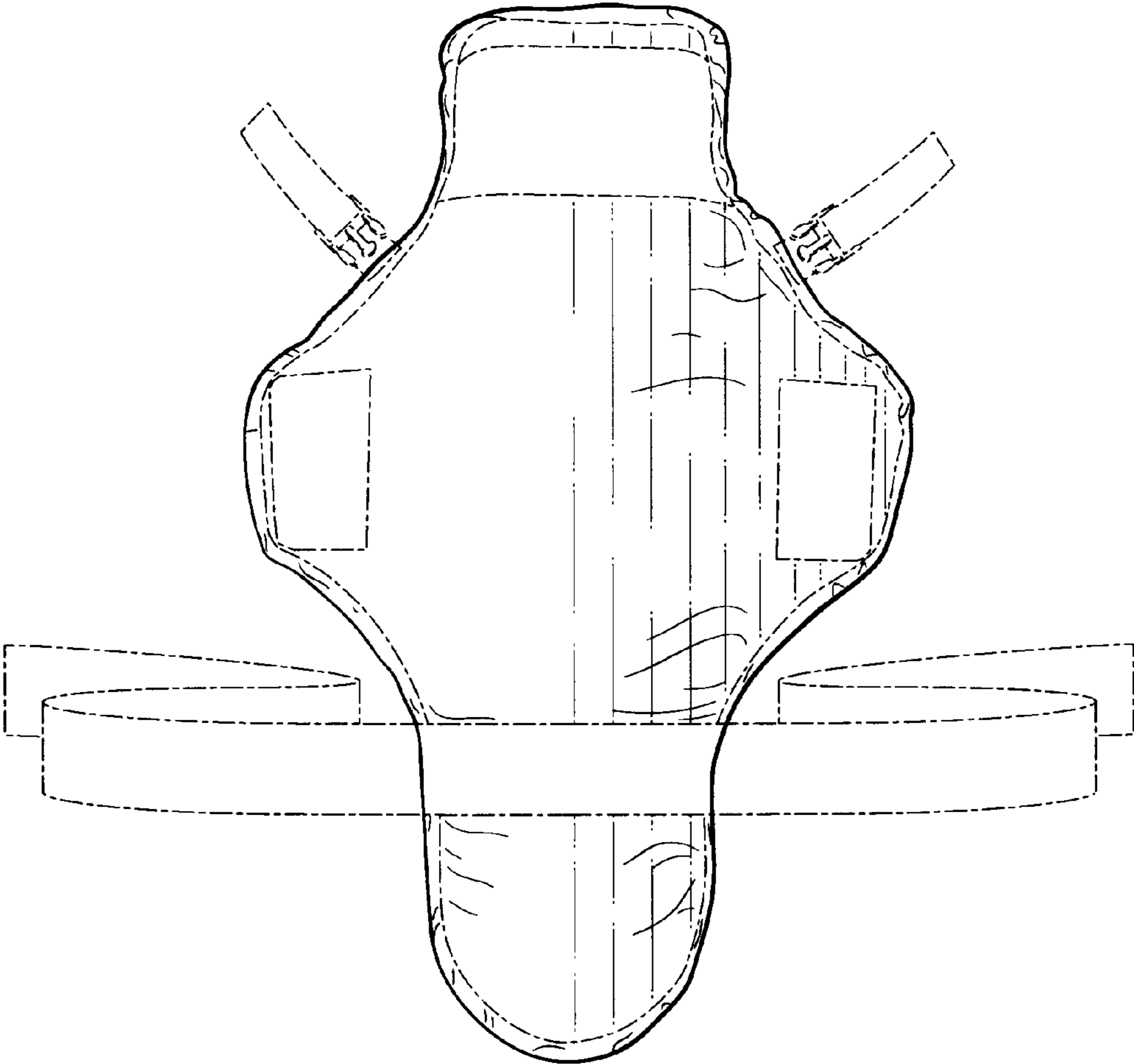


FIG. 1

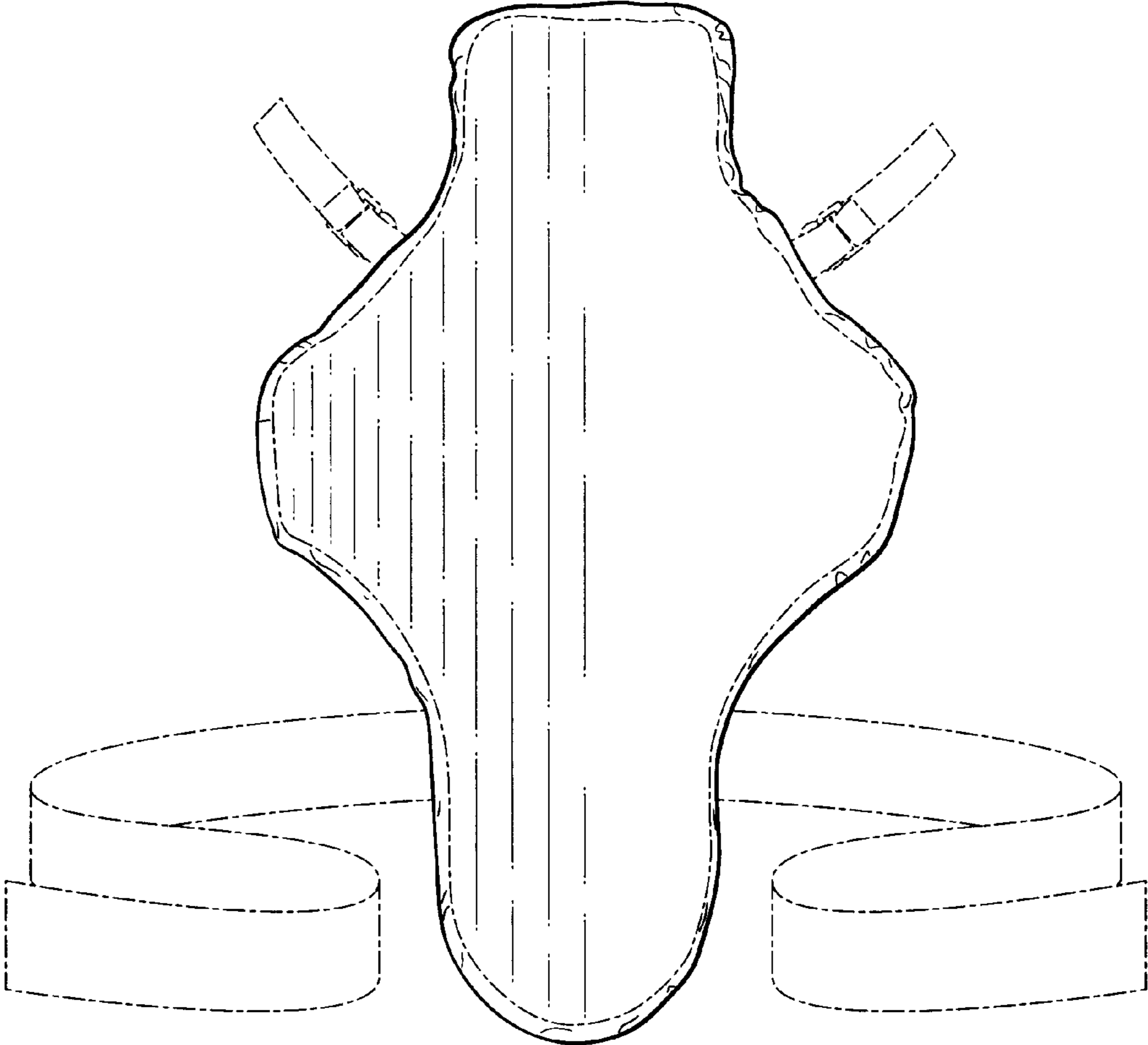
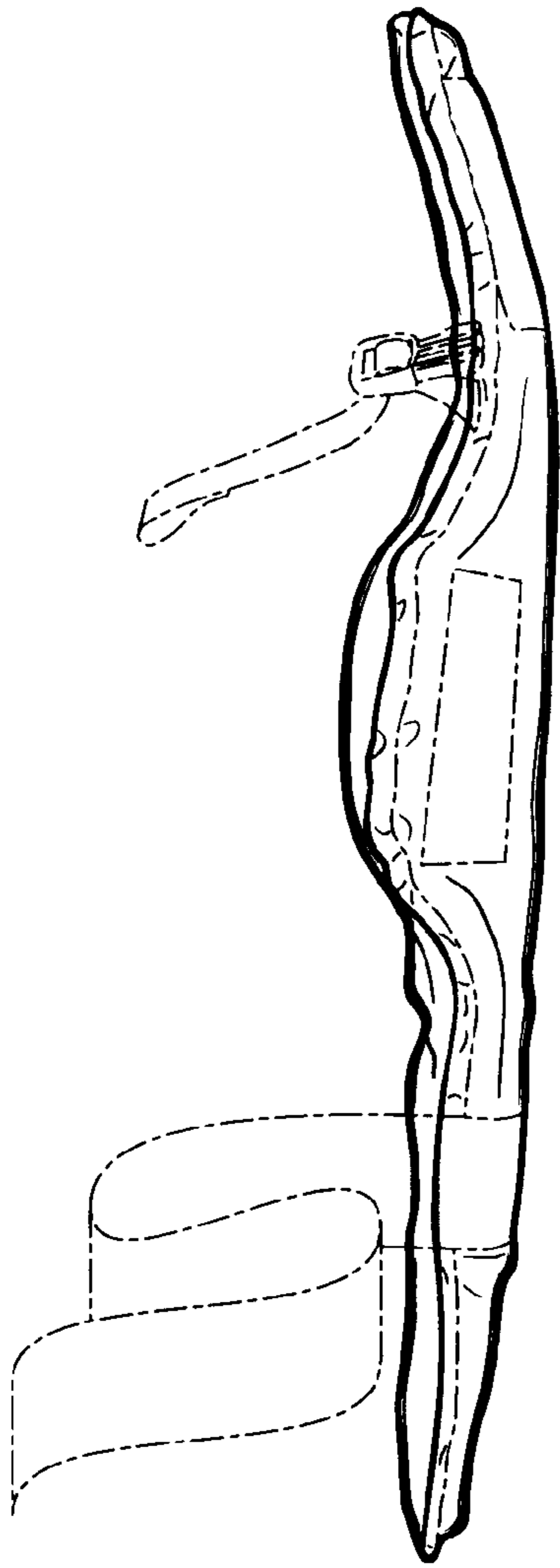
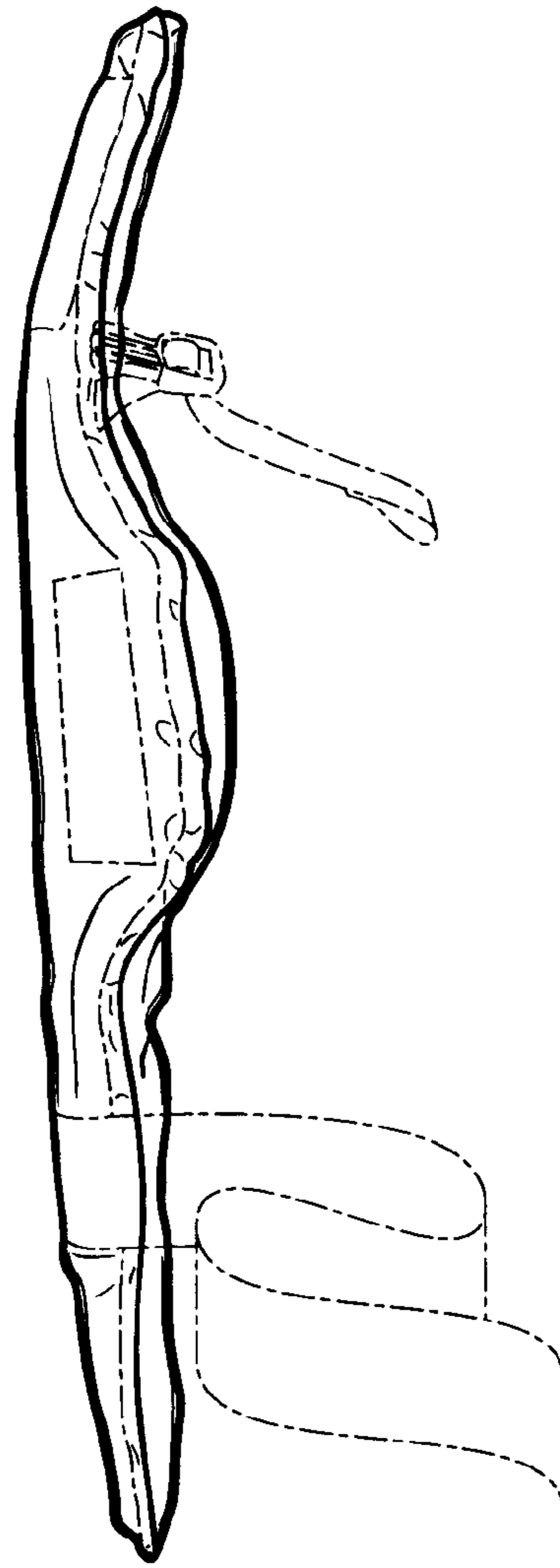


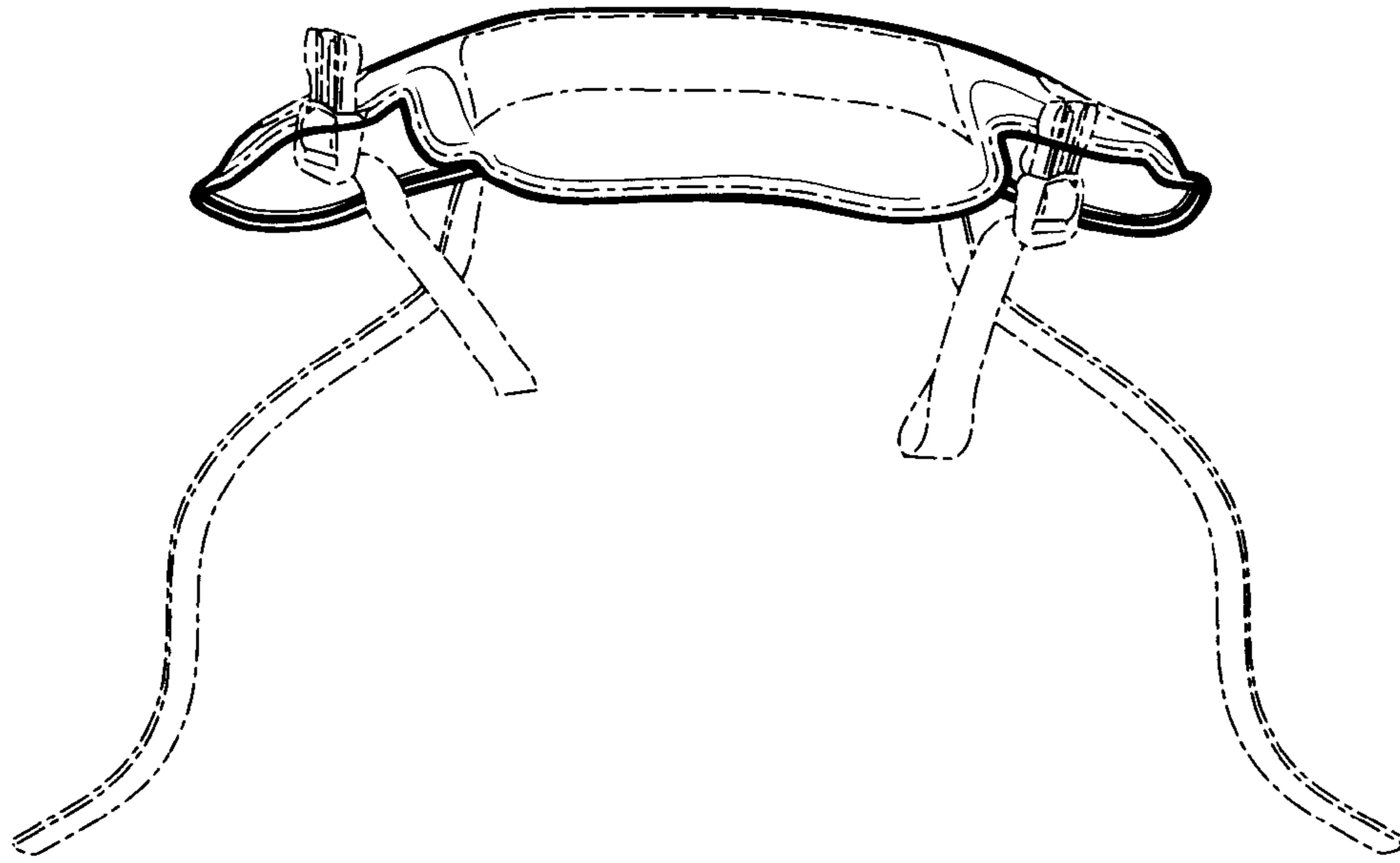
FIG. 2



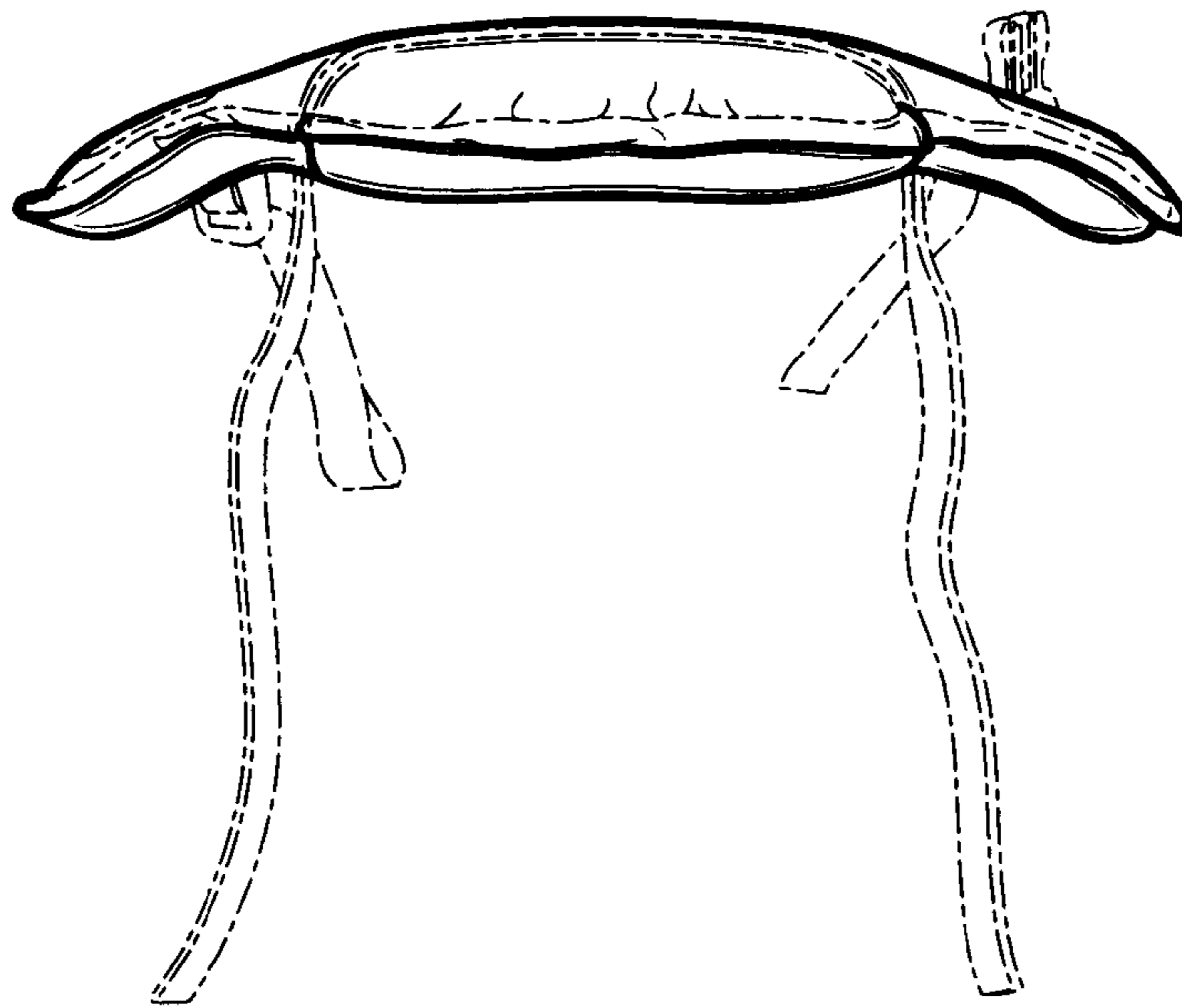
**FIG. 3**



**FIG. 4**



**FIG. 5**



**FIG. 6**