



US00D513644S

(12) **United States Design Patent**  
**Ruzicka et al.**

(10) **Patent No.:** **US D513,644 S**

(45) **Date of Patent:** **\*\* Jan. 17, 2006**

(54) **HEADLIGHT**

D499,202 S \* 11/2004 Tsai ..... D26/139  
D506,567 S \* 6/2005 Ruzicka et al. .... D26/139

(76) Inventors: **Randal J. Ruzicka**, 2032 Aldabra,  
Eugene, OR (US) 97402; **Jeffrey D.  
Schloss**, 4396 Hilton Dr., Eugene, OR  
(US) 97402

\* cited by examiner

*Primary Examiner*—Marcus A. Jackson  
(74) *Attorney, Agent, or Firm*—Robert E. Howard

(\*\*) Term: **14 Years**

(57) **CLAIM**

(21) Appl. No.: **29/208,284**

The ornamental design for a headlight, as shown and described.

(22) Filed: **Jun. 25, 2004**

**DESCRIPTION**

(51) **LOC (8) Cl.** ..... **26-99**

(52) **U.S. Cl.** ..... **D26/139**

(58) **Field of Classification Search** ..... D26/28-36,  
D26/119; 362/61, 80, 80.1, 81, 82, 83, 326,  
362/376

FIG. 1 is a view of a first embodiment of our new design taken from the front and right side thereof, a vehicle in which the headlight is installed being shown in broken lines for illustrative purposes only;

See application file for complete search history.

FIG. 2 is a front elevation view of a right headlight showing a first embodiment of our new design and;

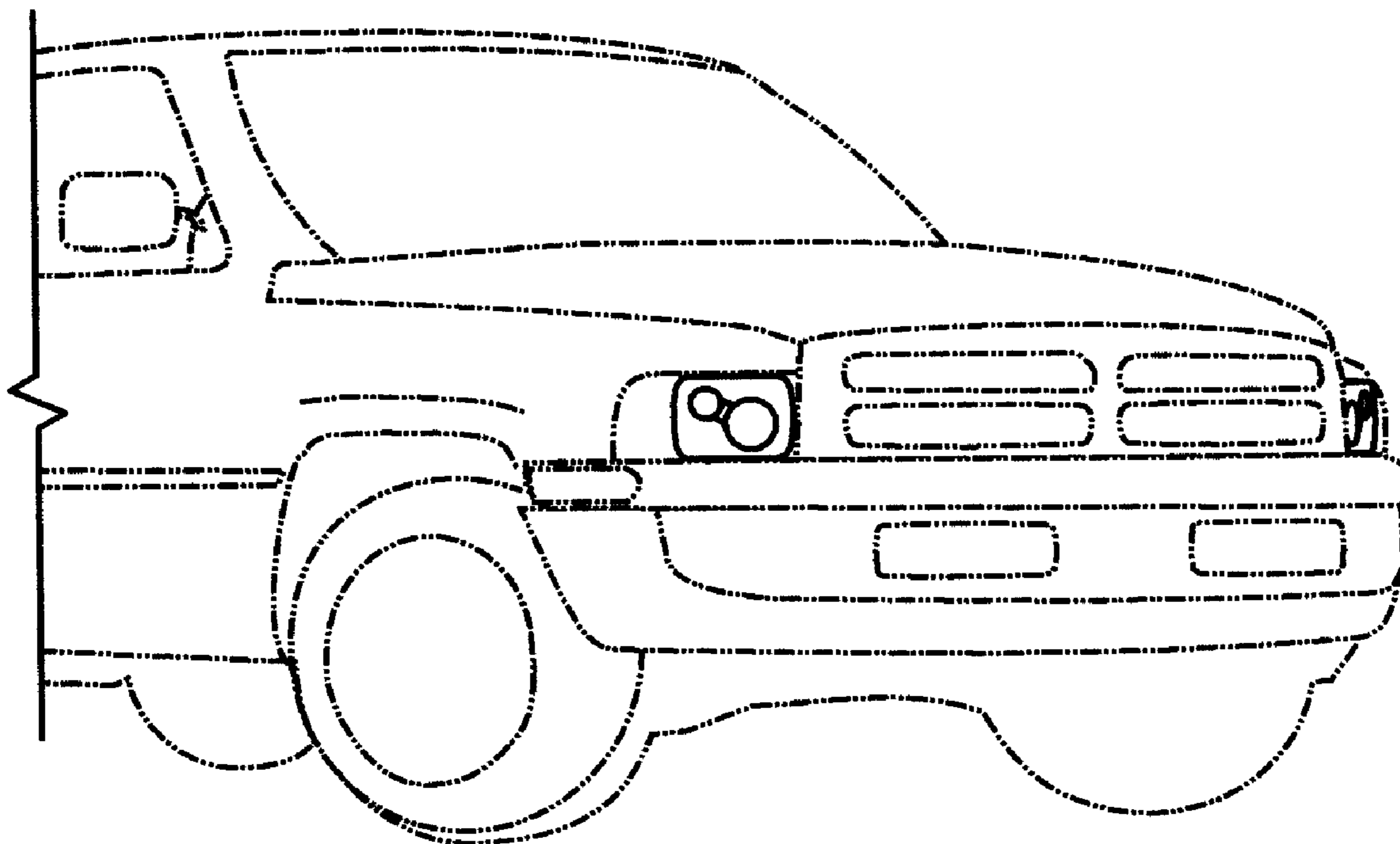
(56) **References Cited**

FIG. 3 is a front elevation view of a right headlight showing a second embodiment of our new design, wherein the only difference resides in the shape of the claimed design.

**U.S. PATENT DOCUMENTS**

D485,934 S \* 1/2004 Tsai ..... D26/139

**1 Claim, 2 Drawing Sheets**



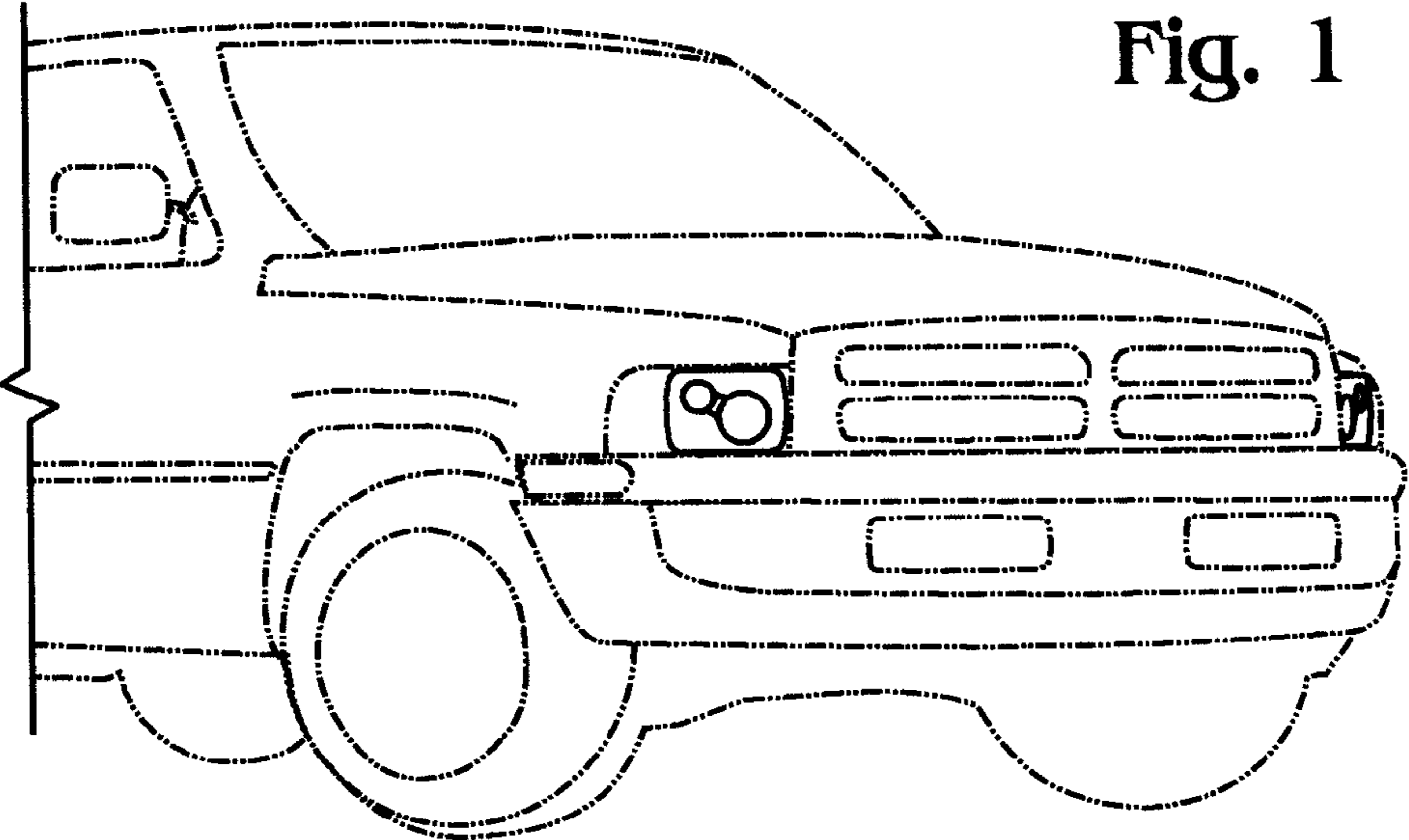


Fig. 2

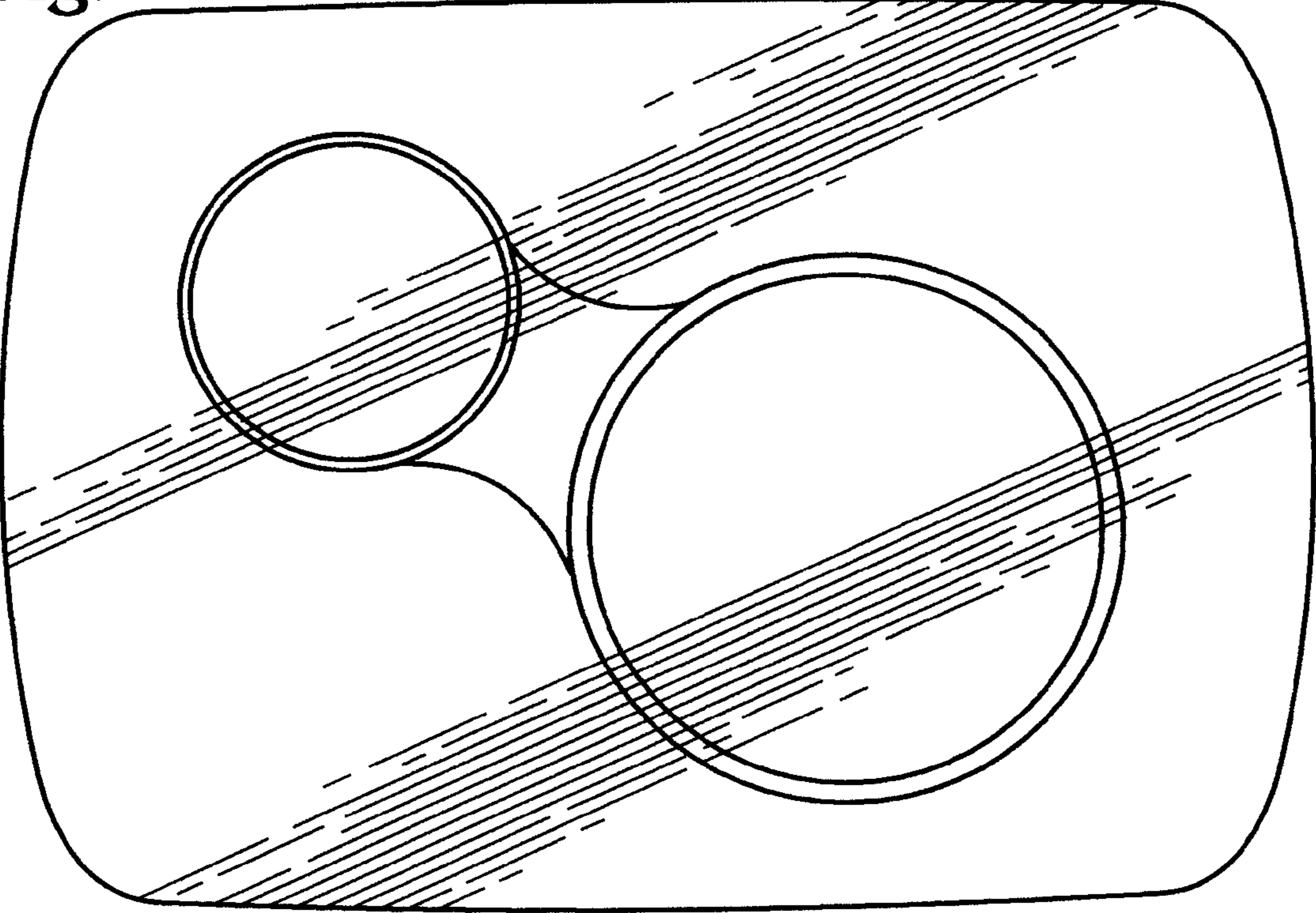


Fig. 3

