



US00D513640S

(12) **United States Design Patent**
Chen

(10) **Patent No.:** **US D513,640 S**

(45) **Date of Patent:** **** Jan. 17, 2006**

(54) **LED BULB**

D280,766 S * 9/1985 Fujita et al. D26/2
D385,051 S * 10/1997 Wu D26/2

(76) **Inventor:** **Kai-Po Chen**, P.O. Box 82-144, Taipei
(TW)

* cited by examiner

(**) **Term:** **14 Years**

Primary Examiner—Marcus A. Jackson
(74) *Attorney, Agent, or Firm*—Leong C. Lei

(21) **Appl. No.:** **29/199,753**

(57) **CLAIM**

(22) **Filed:** **Feb. 20, 2004**

The ornamental design for an LED bulb, as shown and described.

(51) **LOC (8) Cl.** **26-04**

(52) **U.S. Cl.** **D26/2**

(58) **Field of Classification Search** D26/1-4;
313/313, 315, 317, 318; 315/52, 53, 56, 57,
315/58

See application file for complete search history.

DESCRIPTION

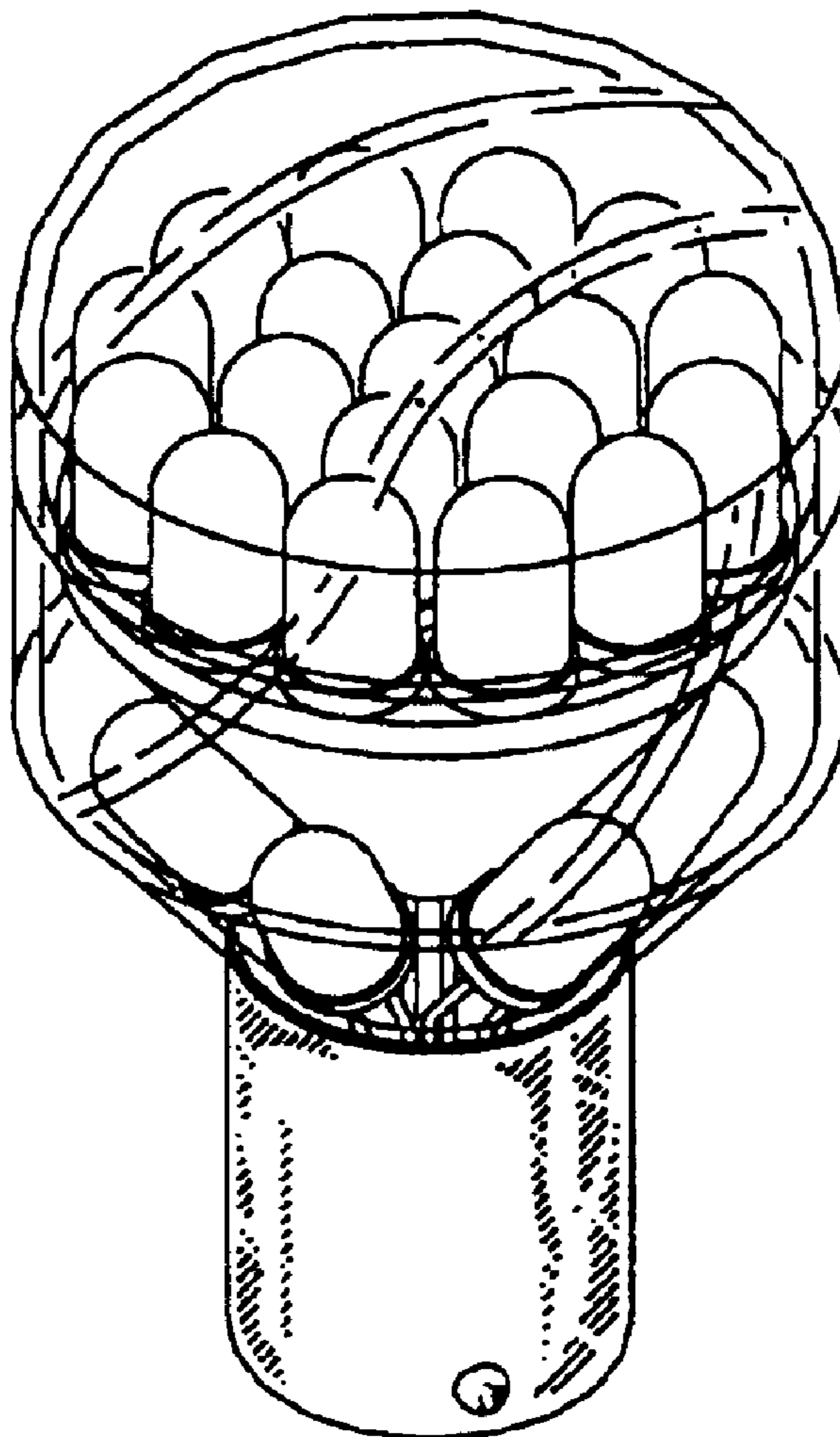
FIG. 1 is a perspective view of an LED bulb showing my new design;
FIG. 2 is a front side elevation view thereof;
FIG. 3 is a rear side elevation view thereof;
FIG. 4 is a left side elevation view thereof;
FIG. 5 is a right side elevation view thereof;
FIG. 6 is a top plan view thereof; and,
FIG. 7 is a bottom plan view thereof.

(56) **References Cited**

U.S. PATENT DOCUMENTS

D202,705 S * 11/1965 Morgan D26/2
D211,350 S * 6/1968 Hammond D26/2
D226,924 S * 5/1973 Hermanson D26/2

1 Claim, 4 Drawing Sheets



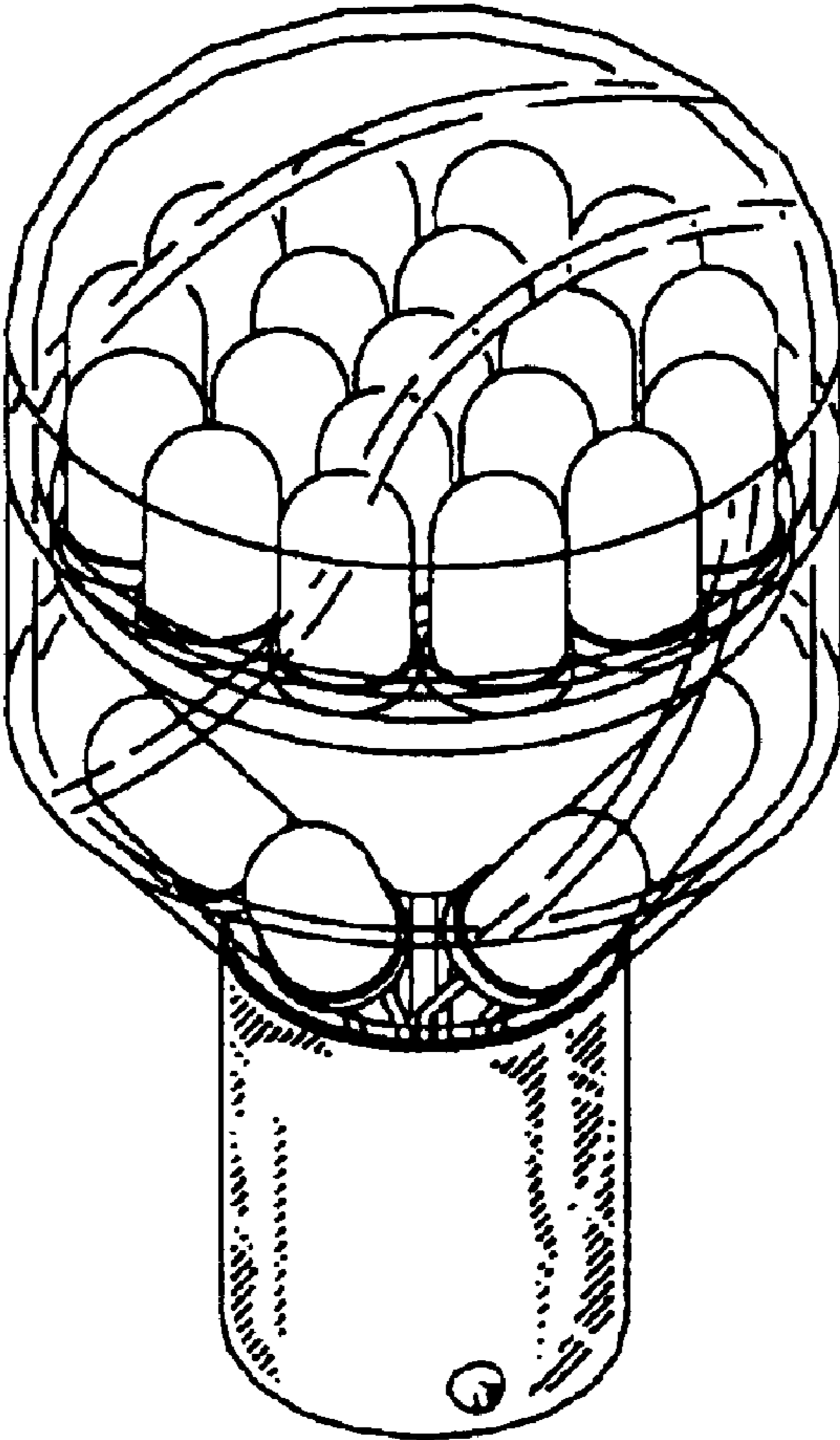


FIG. 1

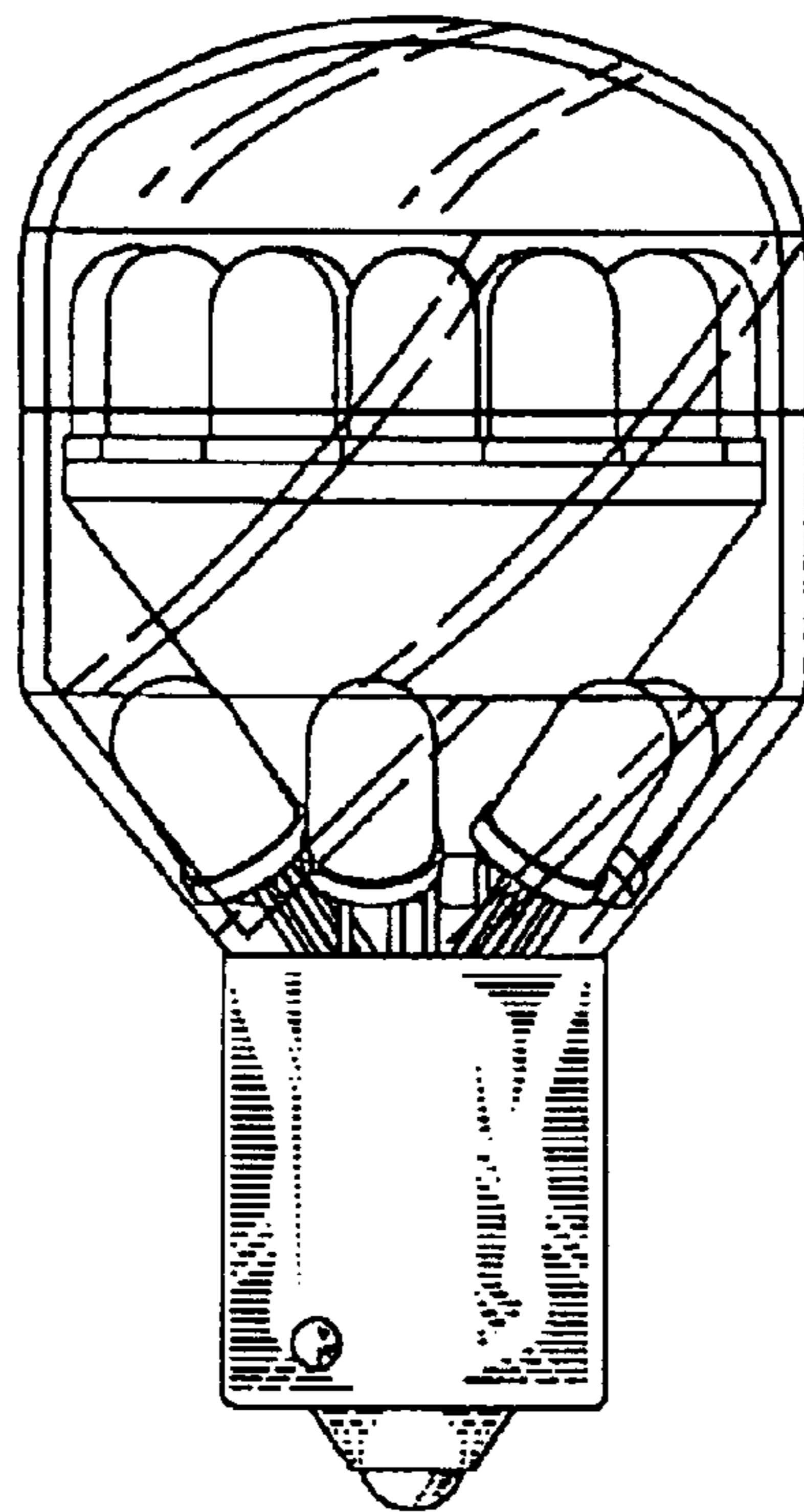


FIG. 2

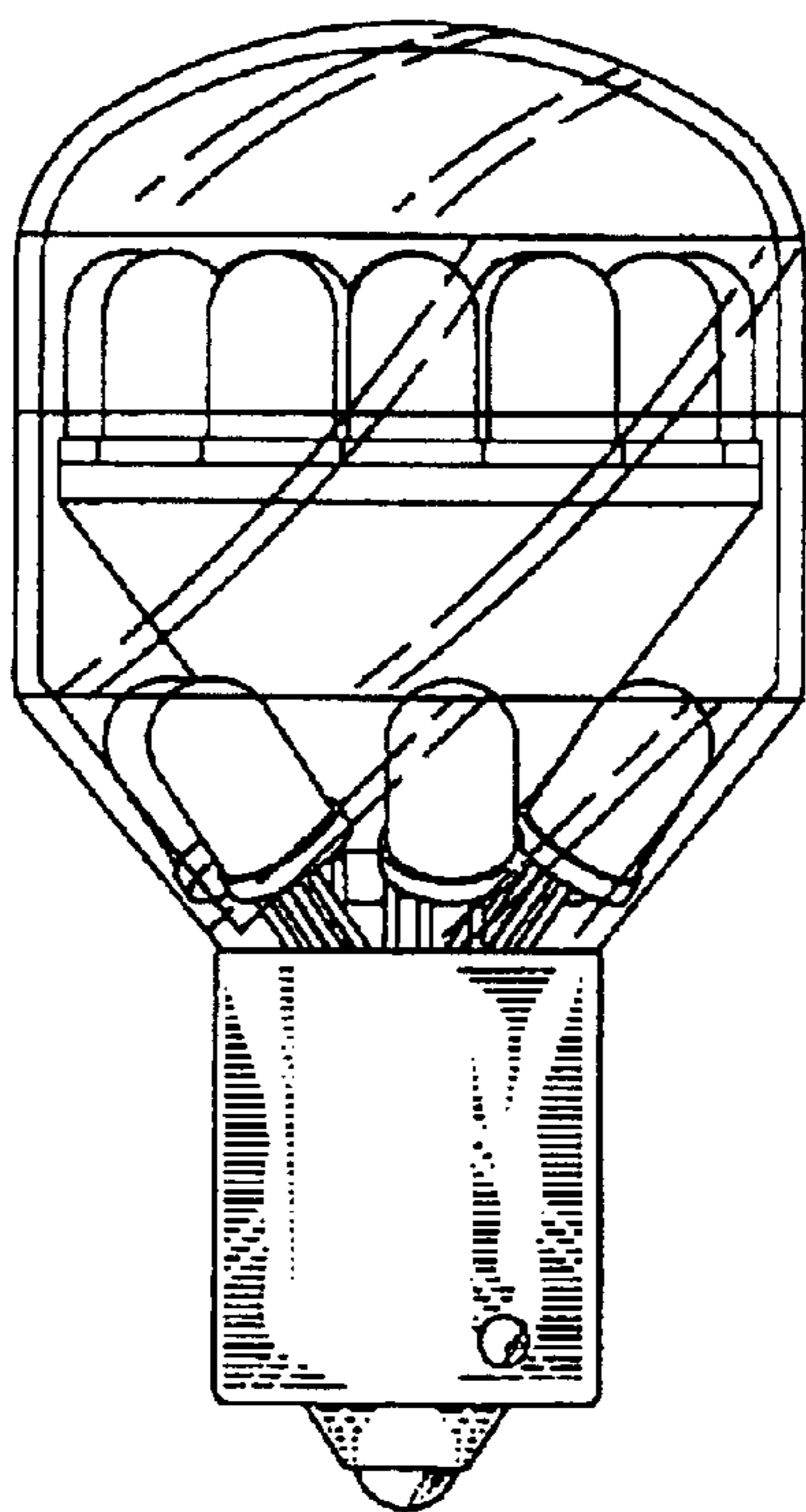


FIG. 3

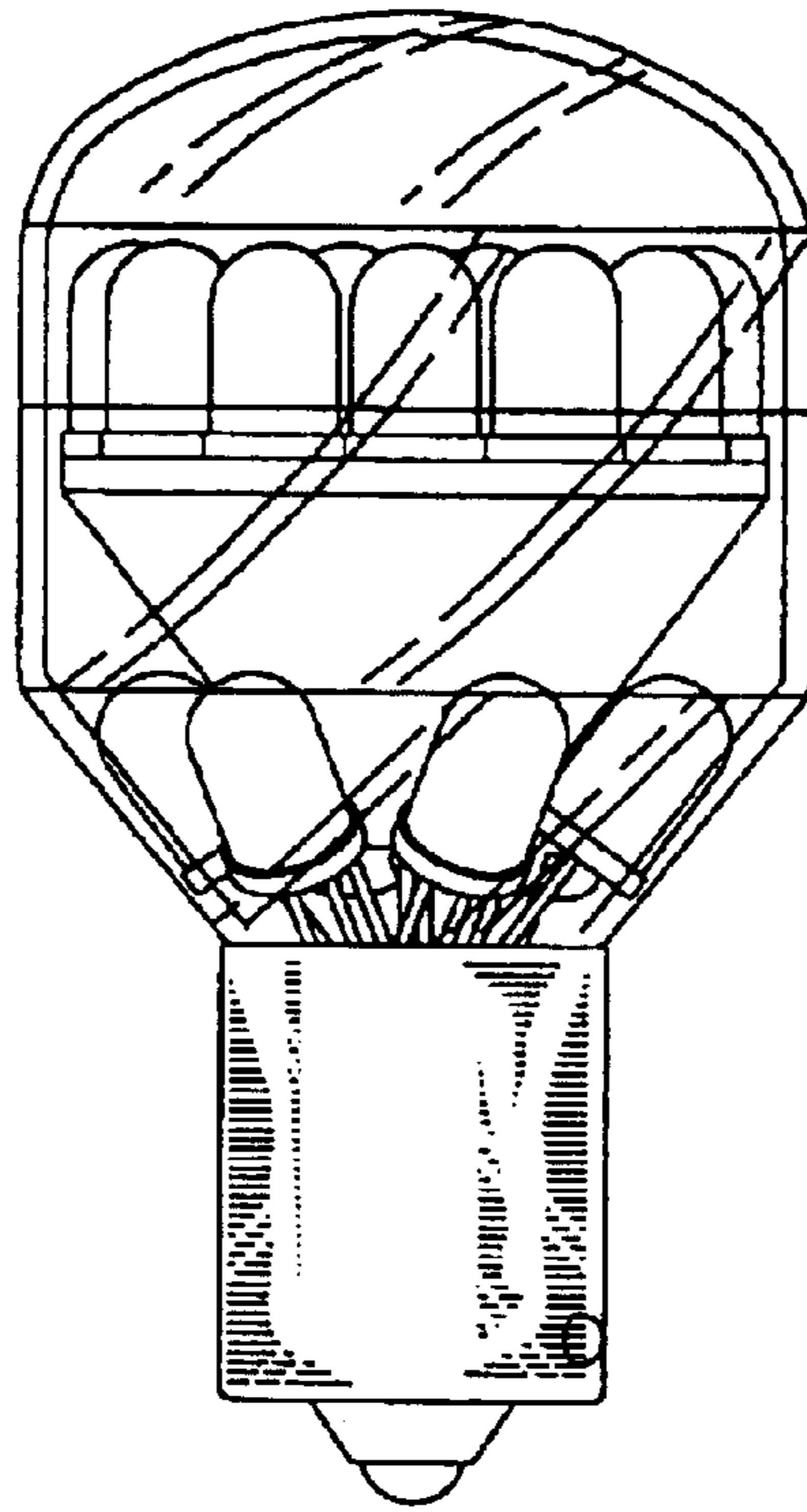


FIG. 4

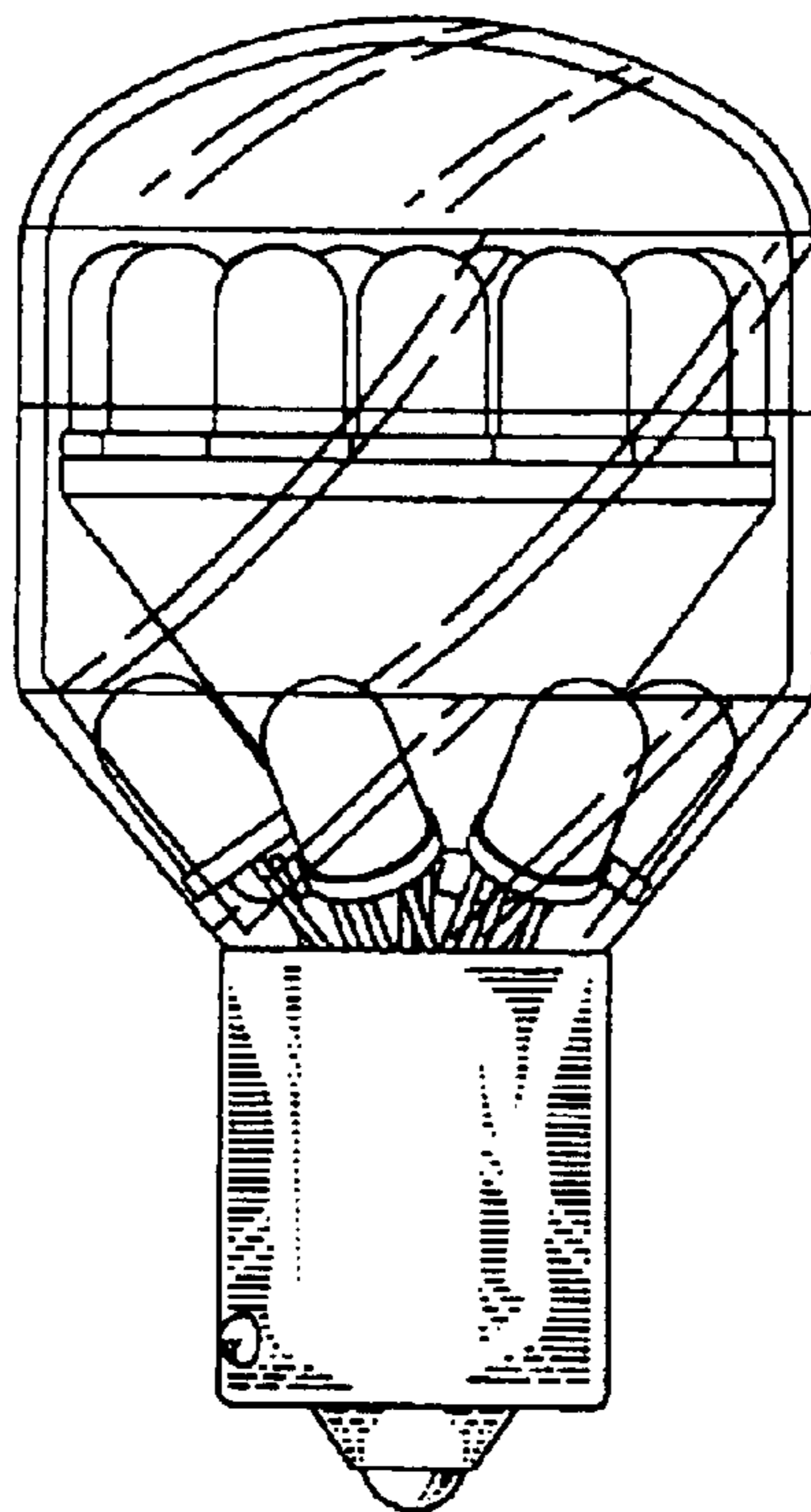


FIG. 5

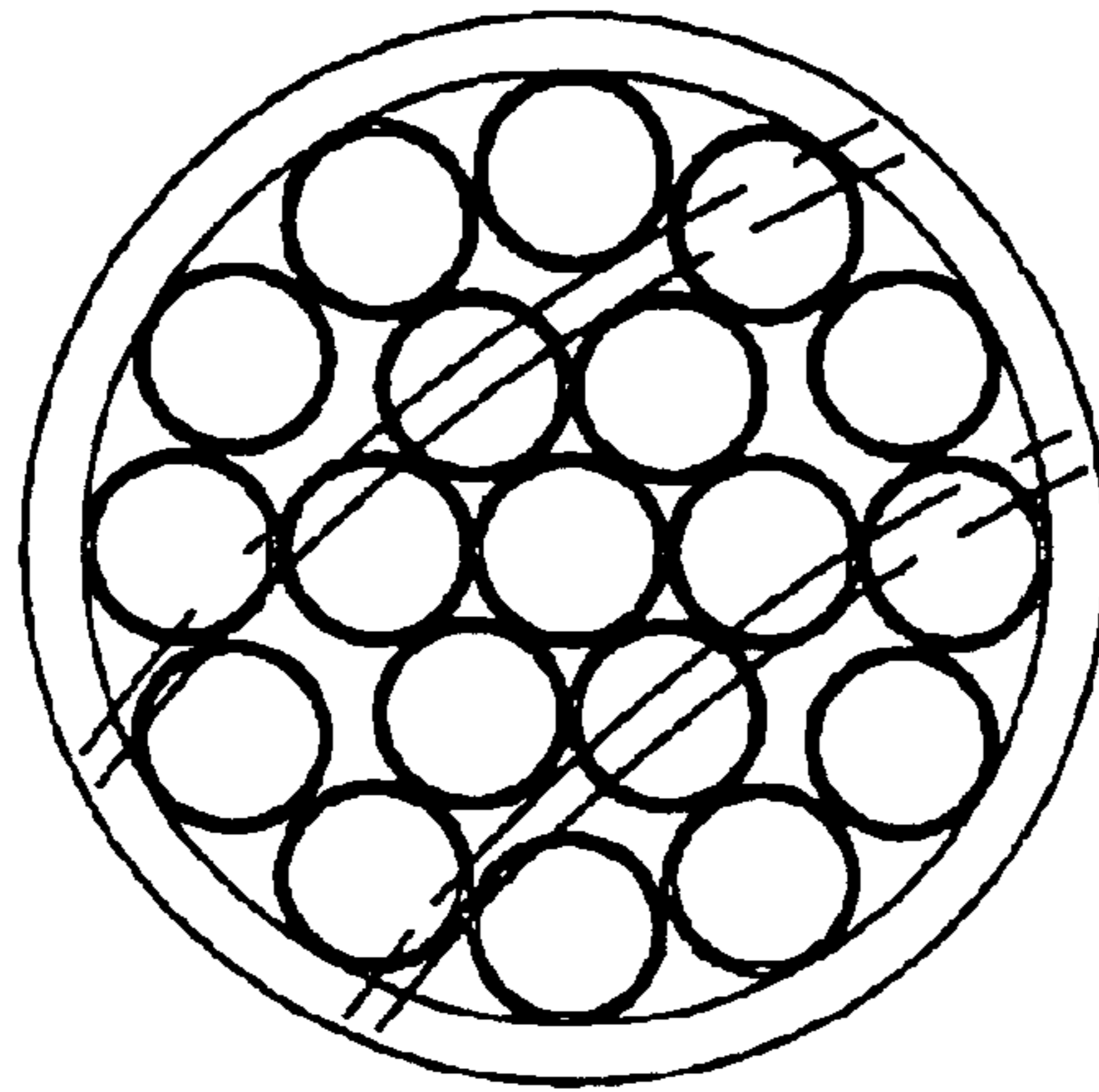


FIG. 6

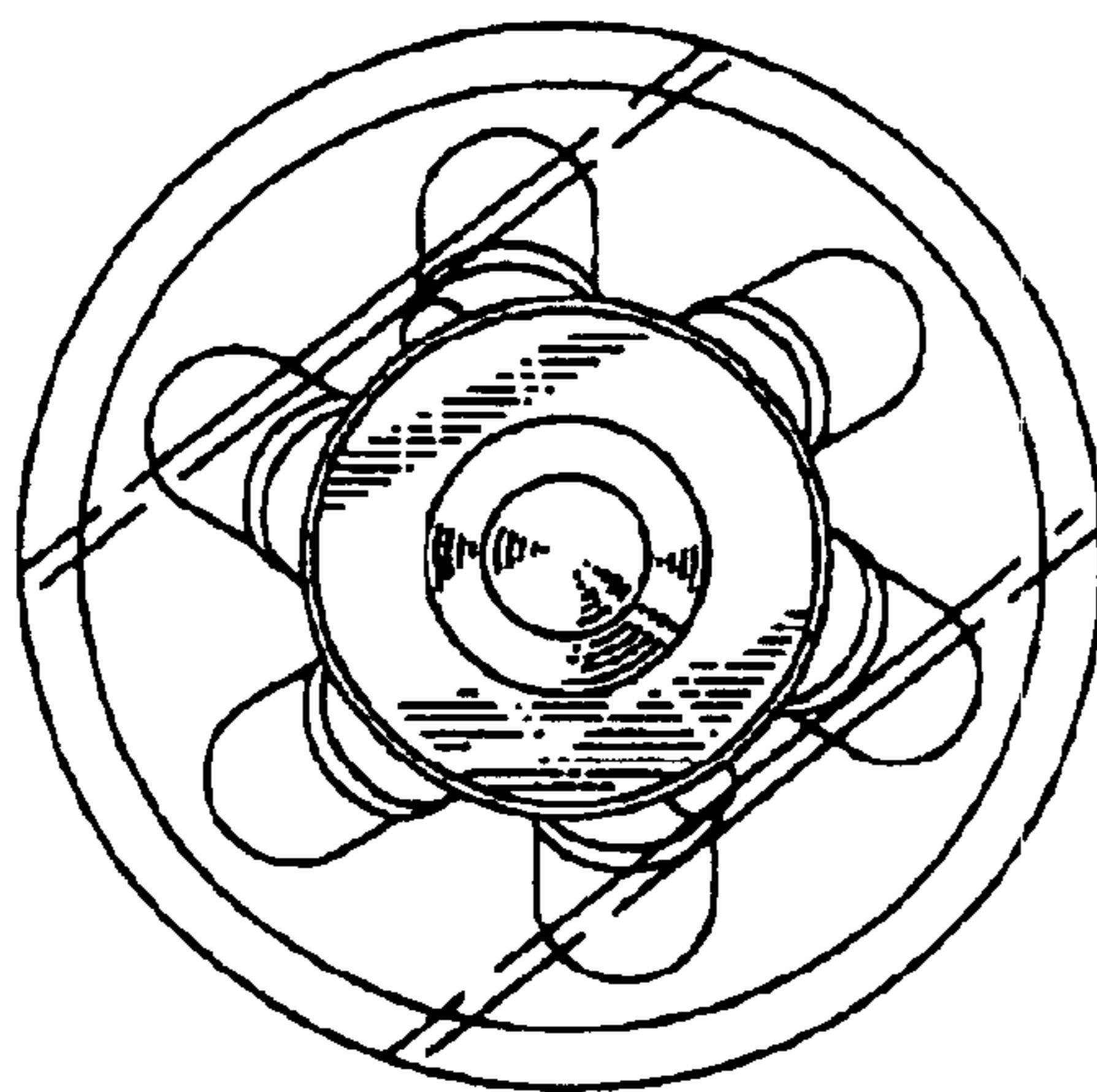


FIG. 7