



US00D513639S

(12) **United States Design Patent** (10) **Patent No.:** **US D513,639 S**
Saim et al. (45) **Date of Patent:** **** Jan. 17, 2006**

(54) **ADHESIVE PATCH**
(76) Inventors: **Said Saim**, 5 Nature View La., New Milford, CT (US) 06776; **Stephen Horhota**, 13 Prospect Dr., Brookfield, CT (US) 06804; **Leigh Ann Rondano**, 75 Plumtrees Rd., Bethel, CT (US) 06801; **Michael Hardy**, 177 Russian Village Rd., Southbury, CT (US) 06488

(**) Term: **14 Years**

(21) Appl. No.: **29/204,562**

(22) Filed: **Apr. 30, 2004**

Related U.S. Application Data

(60) Continuation of application No. 29/188,006, filed on Aug. 11, 2003, now Pat. No. Des. 492,786, which is a division of application No. 29/150,550, filed on Nov. 6, 2001, now Pat. No. Des. 481,131.

(51) **LOC (8) Cl.** **24-02**

(52) **U.S. Cl.** **D24/189**

(58) **Field of Classification Search** 600/391, 600/392, 394, 395, 382, 384, 386; 607/148, 607/149, 152, 153, 108-112, 99, 126, 129; D24/189; 602/41-43, 55, 58, 59; 604/307
See application file for complete search history.

(56) **References Cited**

U.S. PATENT DOCUMENTS

55,234 A 6/1866 Bode
92,065 A 6/1869 Lighthall
1,989,282 A * 1/1935 Kimble et al. 607/152
3,596,657 A 8/1971 Eidus
4,243,052 A 1/1981 Bailey
D273,514 S 4/1984 Heilman et al.
4,458,696 A * 7/1984 Larimore 607/152
D278,363 S 4/1985 Schenkel et al.
4,680,309 A 7/1987 Maurer
D292,826 S 11/1987 Sproles
4,706,672 A 11/1987 Jones
4,893,626 A * 1/1990 Henley et al. 607/153

4,901,714 A 2/1990 Jensen
4,961,933 A 10/1990 Campos Pino
5,244,457 A * 9/1993 Karami et al. 602/55
D344,042 S 2/1994 Calhoun
D363,126 S 10/1995 Dusek
5,512,041 A 4/1996 Bogart
5,632,731 A * 5/1997 Patel 602/59
D380,552 S 7/1997 Frenkel et al.
D409,754 S 5/1999 Dunshee et al.
D410,087 S 5/1999 Dunshee et al.
D413,389 S 8/1999 Owen, Jr.
D416,327 S 11/1999 Kugel
5,976,117 A 11/1999 Dunshee et al.
6,011,194 A * 1/2000 Buglino et al. 602/41
6,095,992 A * 8/2000 Augustine 607/108
6,171,606 B1 1/2001 Lyons
D454,956 S * 3/2002 Visintainer D24/189

OTHER PUBLICATIONS

MEDEX; Medex Scientific UK Ltd.; Medex Health & Beauty Catalogue 2000; Spring 2000; (8 pages).
MANTRA; "The Superior Alternative to Copper Bracelets"; www.mantraware.com; printed on Nov. 14, 2001; publication date not known.

* cited by examiner

Primary Examiner—Ian Simmons
Assistant Examiner—Daniel Yu

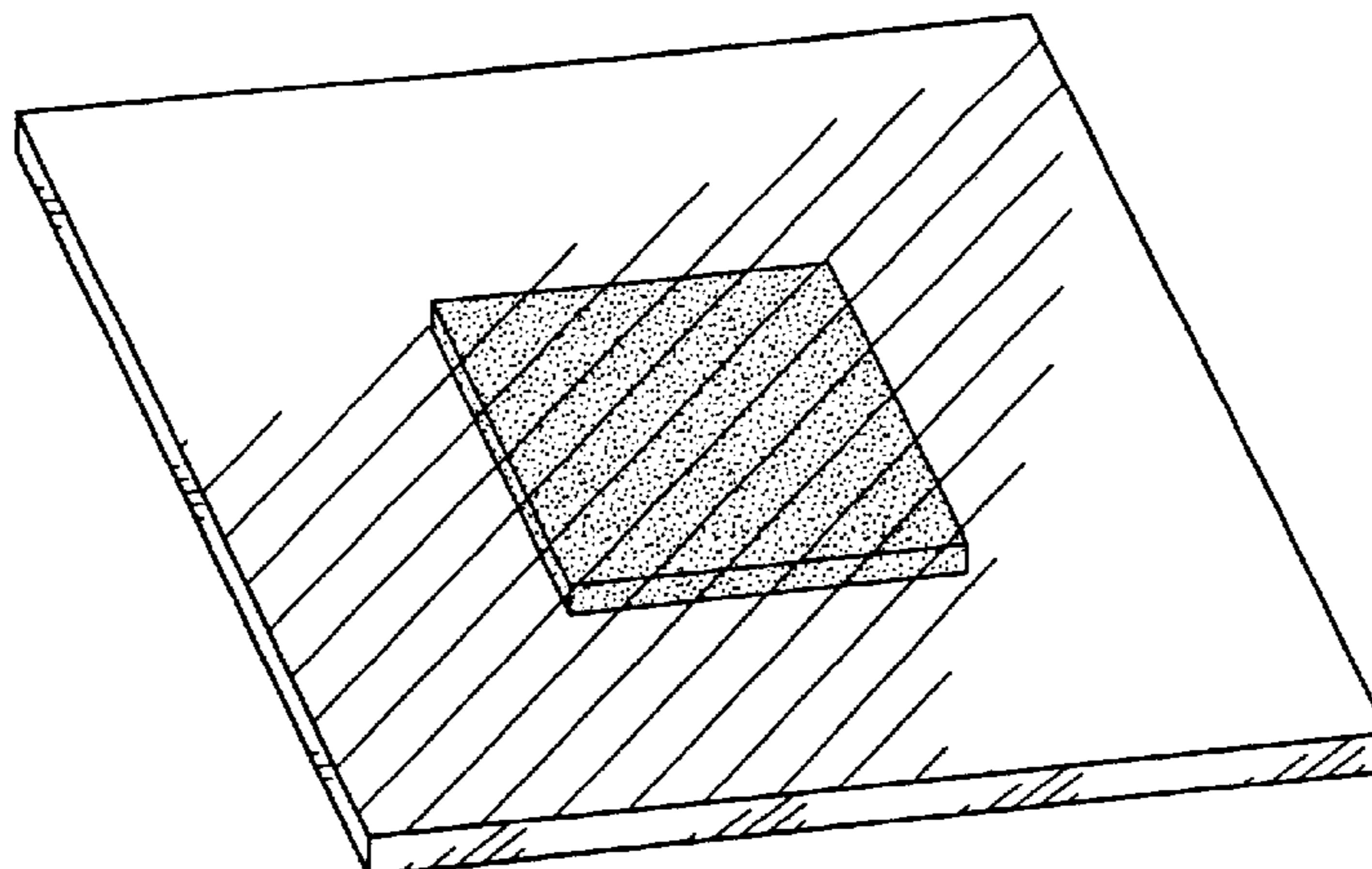
(57) **CLAIM**

The ornamental design for an adhesive patch, as shown and described.

DESCRIPTION

FIG. 1 is a perspective view of an embodiment of an adhesive patch, showing our new design;
FIG. 2 is a top plan view of the adhesive patch of FIG. 1;
FIG. 3 is a left side elevation view of the adhesive patch of FIG. 1, with all sides being identical thereto; and,
FIG. 4 is a bottom plan view of the adhesive patch of FIG. 1.

1 Claim, 2 Drawing Sheets



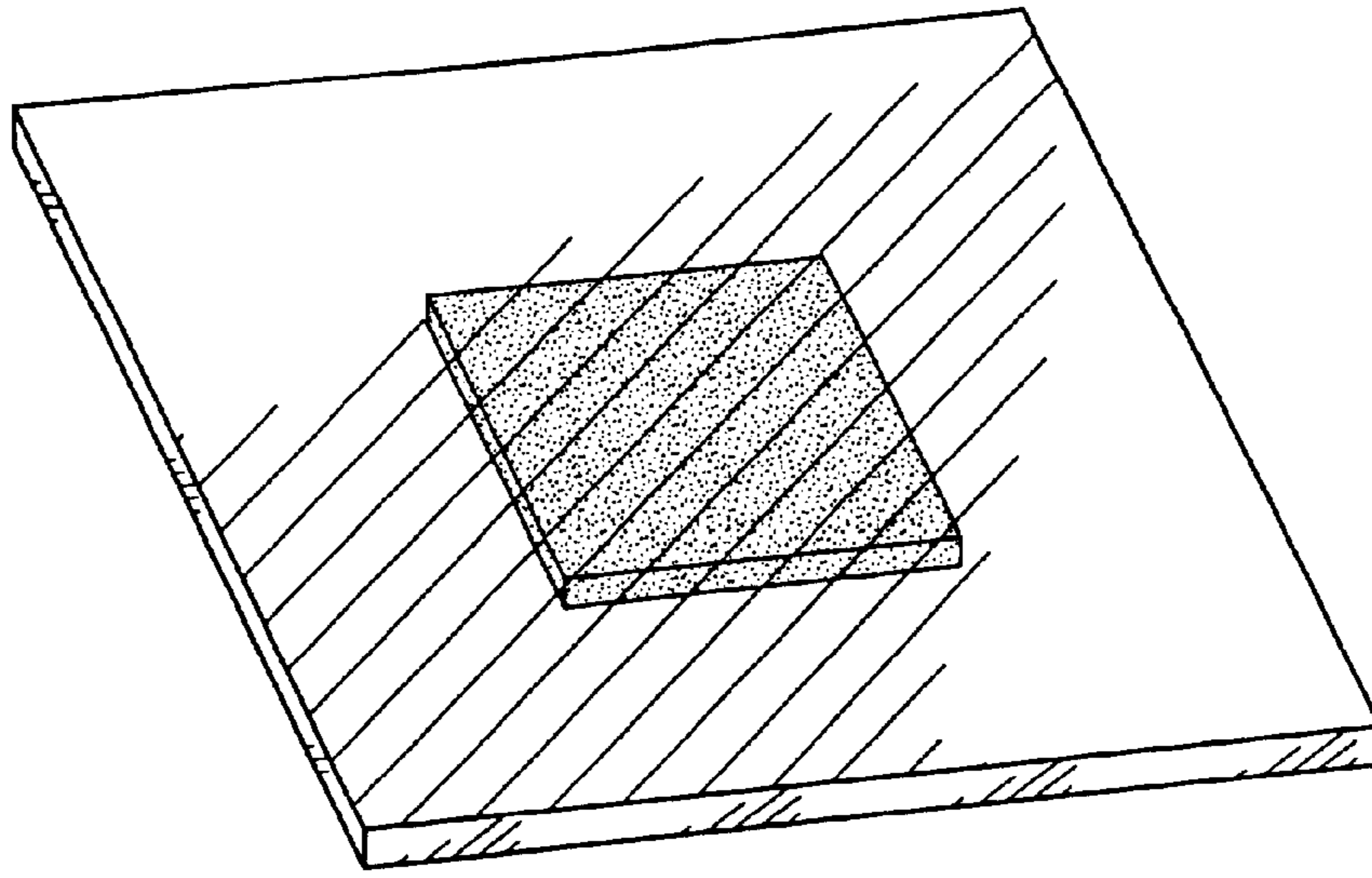


FIG. 1

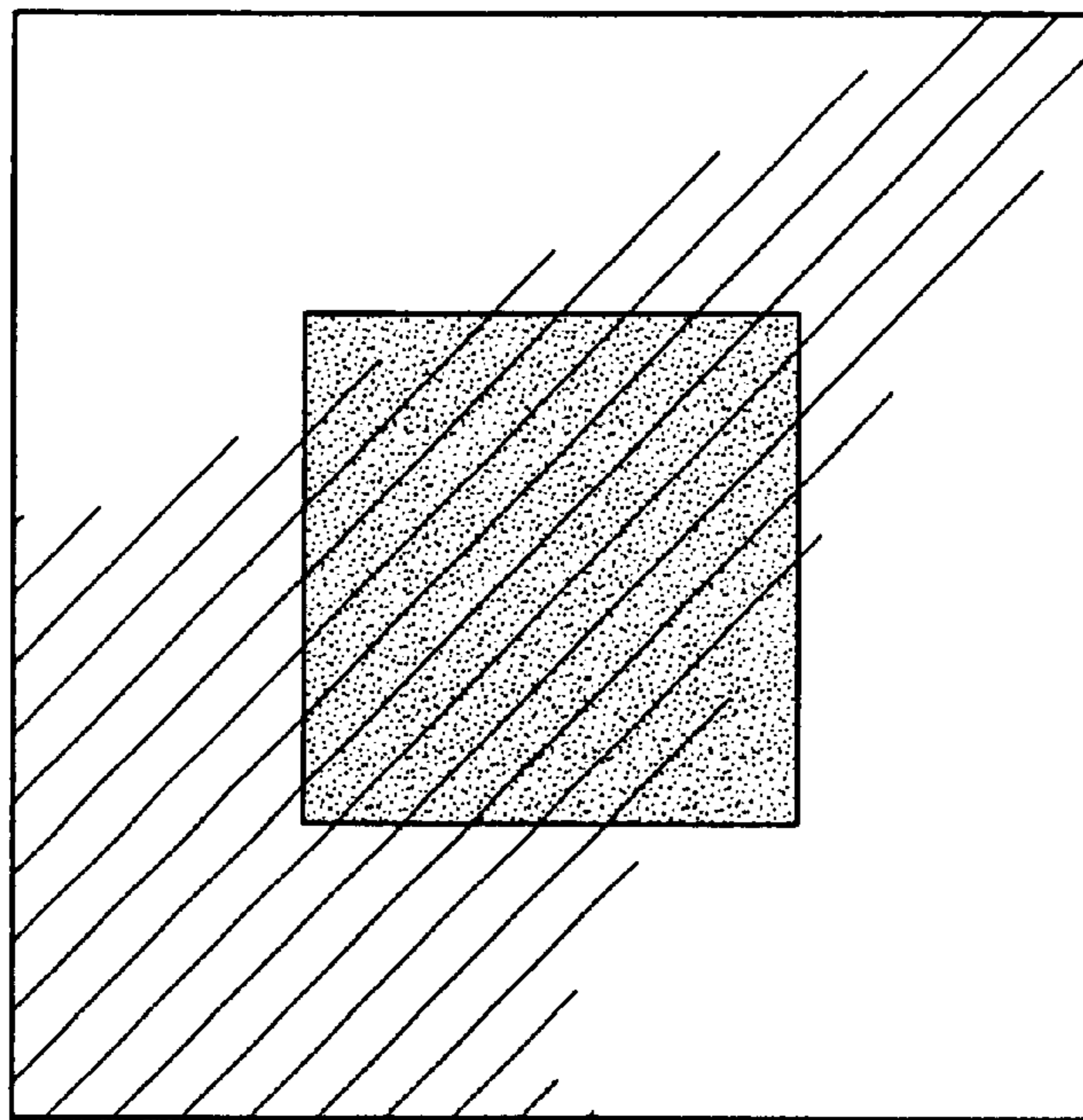


FIG. 2



FIG. 3

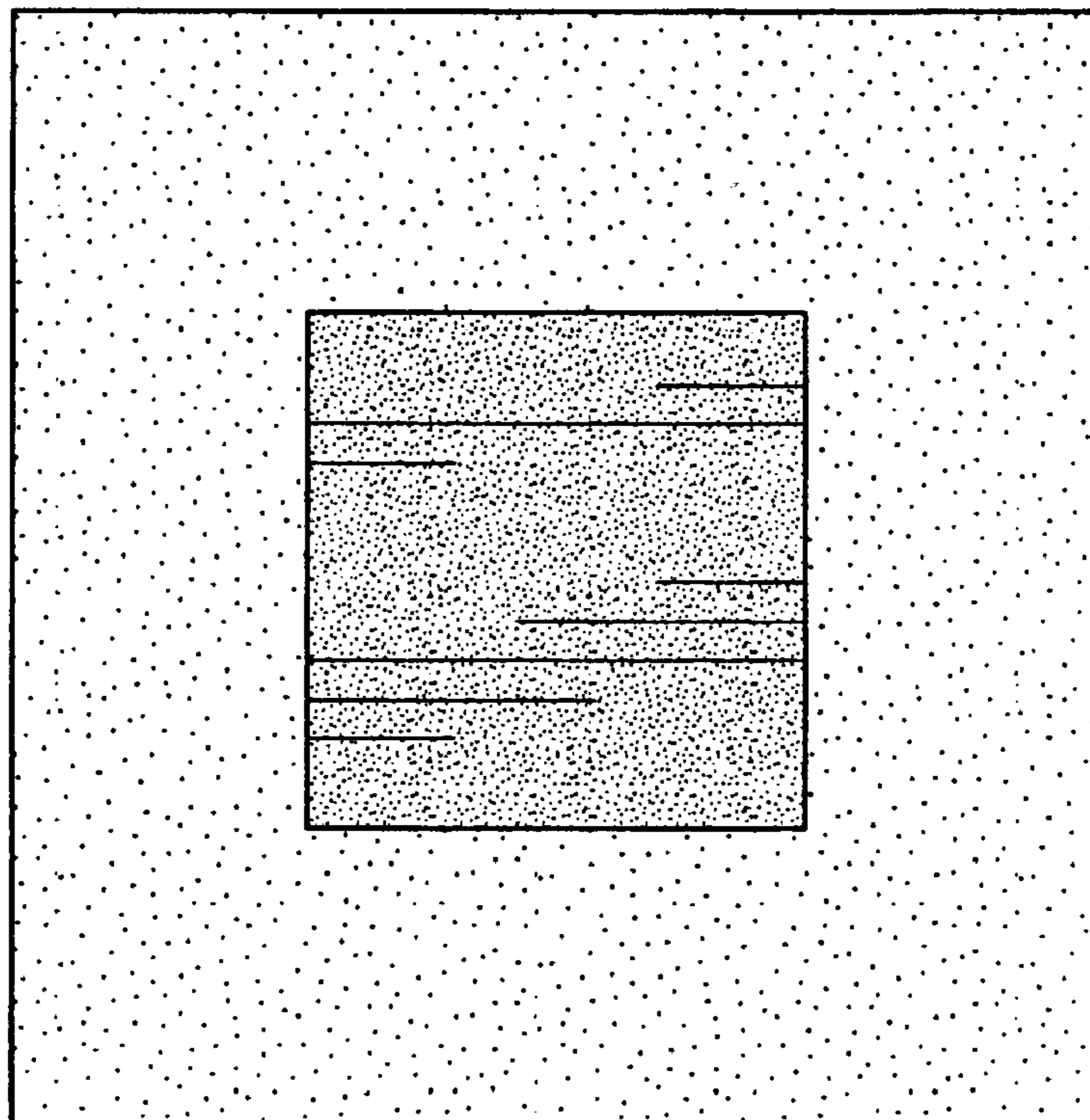


FIG. 4