



US00D513638S

(12) **United States Design Patent**
Pan

(10) **Patent No.:** **US D513,638 S**
(45) **Date of Patent:** **** Jan. 17, 2006**

(54) **TOOTH FLUSHING MACHINE**
(75) **Inventor:** **Kun-Chuan Pan, Tainan (TW)**
(73) **Assignee:** **Ya Horng Electronic Co., Ltd., Tainan (TW)**
(**) **Term:** **14 Years**

(21) **Appl. No.:** **29/197,864**
(22) **Filed:** **Jan. 20, 2004**

(51) **LOC (8) Cl.** **24-02**
(52) **U.S. Cl.** **D24/111**
(58) **Field of Classification Search** D24/111,
D24/176-182, 152-153, 133; D13/107, 108;
433/3, 39, 80, 50, 53, 114, 141, 144; 606/2,
606/28, 2.5, 161; 435/141, 2; 601/162; D26/43,
D26/45

See application file for complete search history.

(56) **References Cited**

U.S. PATENT DOCUMENTS

D222,862 S	*	1/1972	Cook	D24/111
D272,763 S	*	2/1984	Coffman	D24/111
D318,918 S	*	8/1991	Hartwein	D24/111
D346,212 S	*	4/1994	Hosl	D24/111
D369,656 S	*	5/1996	Vos	D24/111
D413,975 S	*	9/1999	Maeda	D24/111

D426,633 S	*	6/2000	Bachman et al.	D24/111
D484,971 S	*	1/2004	Hartwein	D24/111
6,699,208 B2	*	3/2004	Bachman et al.	601/162
2002/0193716 A1	*	12/2002	Bachman et al.	601/162
2005/0004498 A1	*	1/2005	Klupt	601/162

* cited by examiner

Primary Examiner—Charles A. Rademaker
(74) *Attorney, Agent, or Firm*—Alan D. Kamrath; Nikolai & Mersereau, P.A.

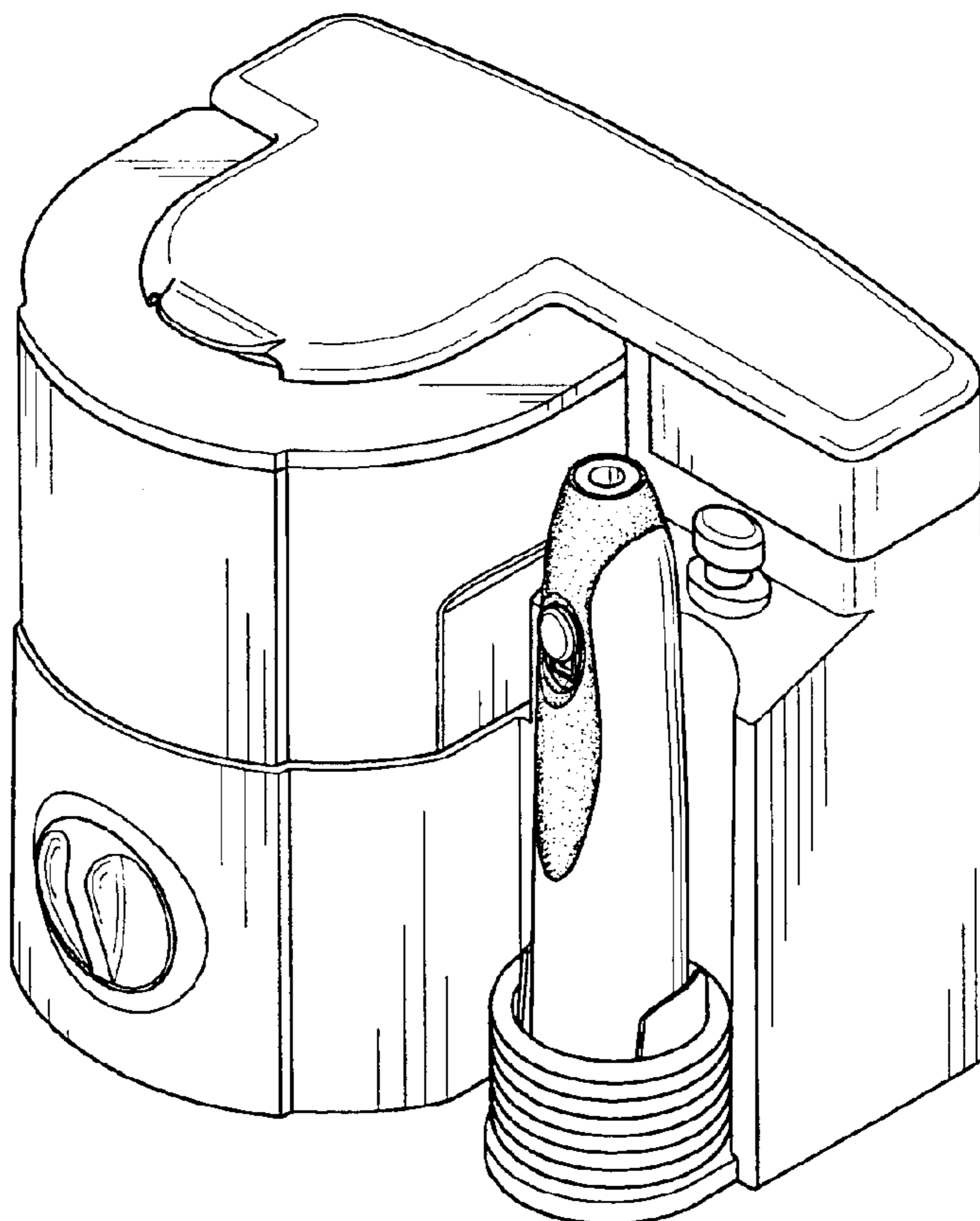
(57) **CLAIM**

The ornamental design for a tooth flushing machine, as shown and described.

DESCRIPTION

FIG. 1 is a perspective view of a tooth flushing machine showing my design;
FIG. 2 is a front elevational view thereof;
FIG. 3 is a rear elevational view thereof;
FIG. 4 is a right side elevational view thereof;
FIG. 5 is a left side elevational view thereof;
FIG. 6 is a top plan view thereof;
FIG. 7 is a bottom plan view thereof; and,
FIG. 8 is a perspective view of a modified embodiment thereof, the sides not shown being identical to what is shown in FIGS. 1 through 7.

1 Claim, 5 Drawing Sheets



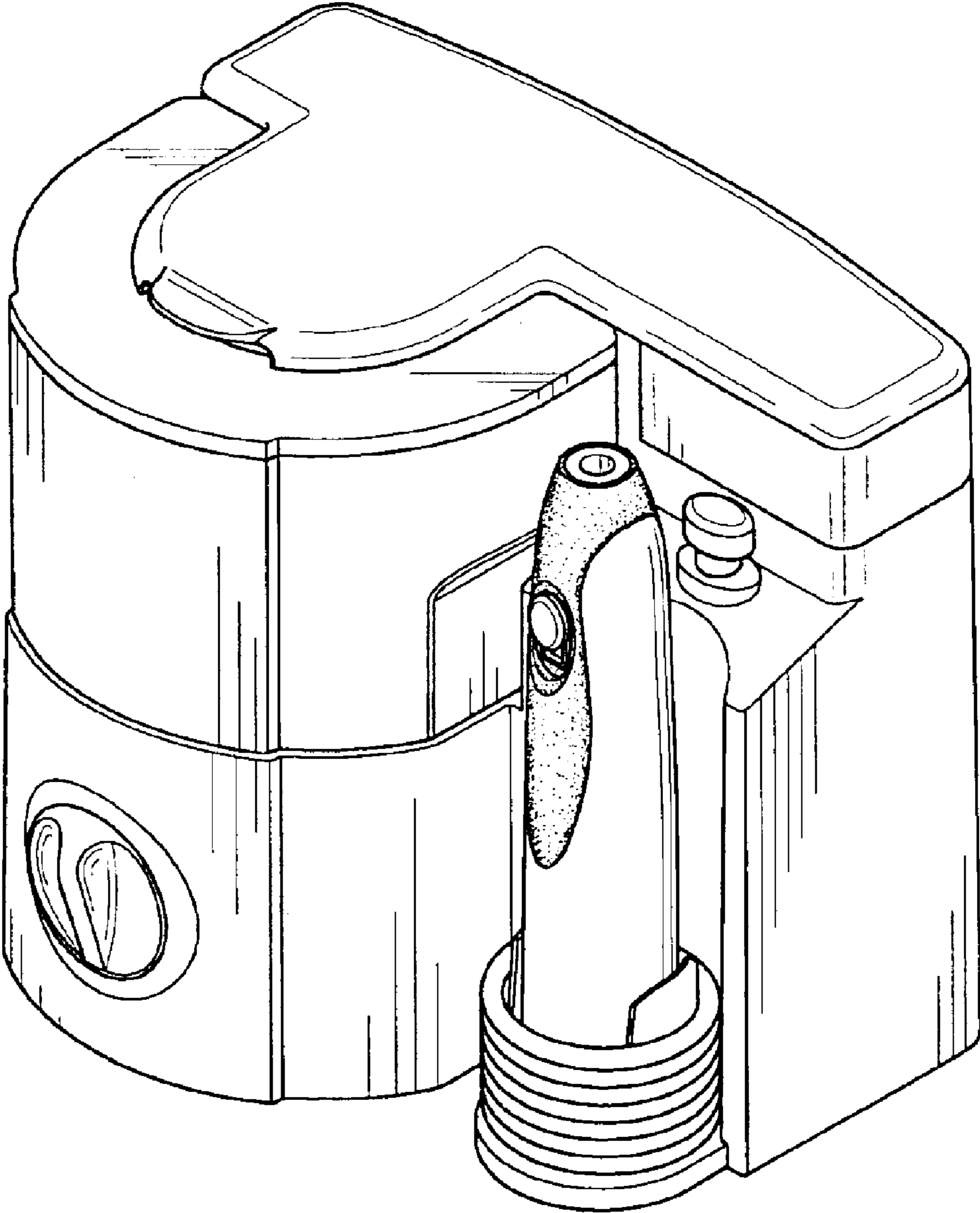


FIG. 1

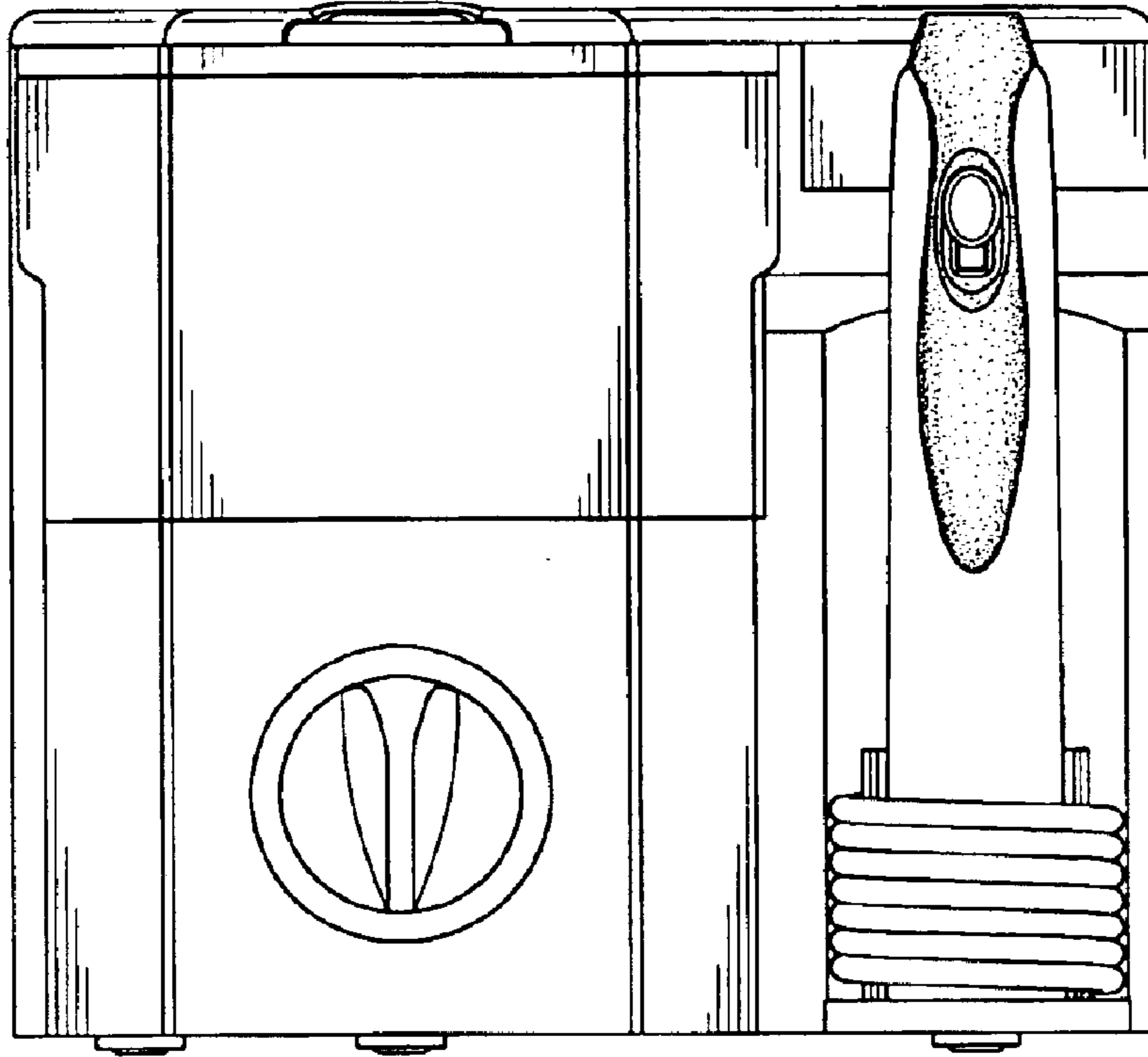


FIG. 2

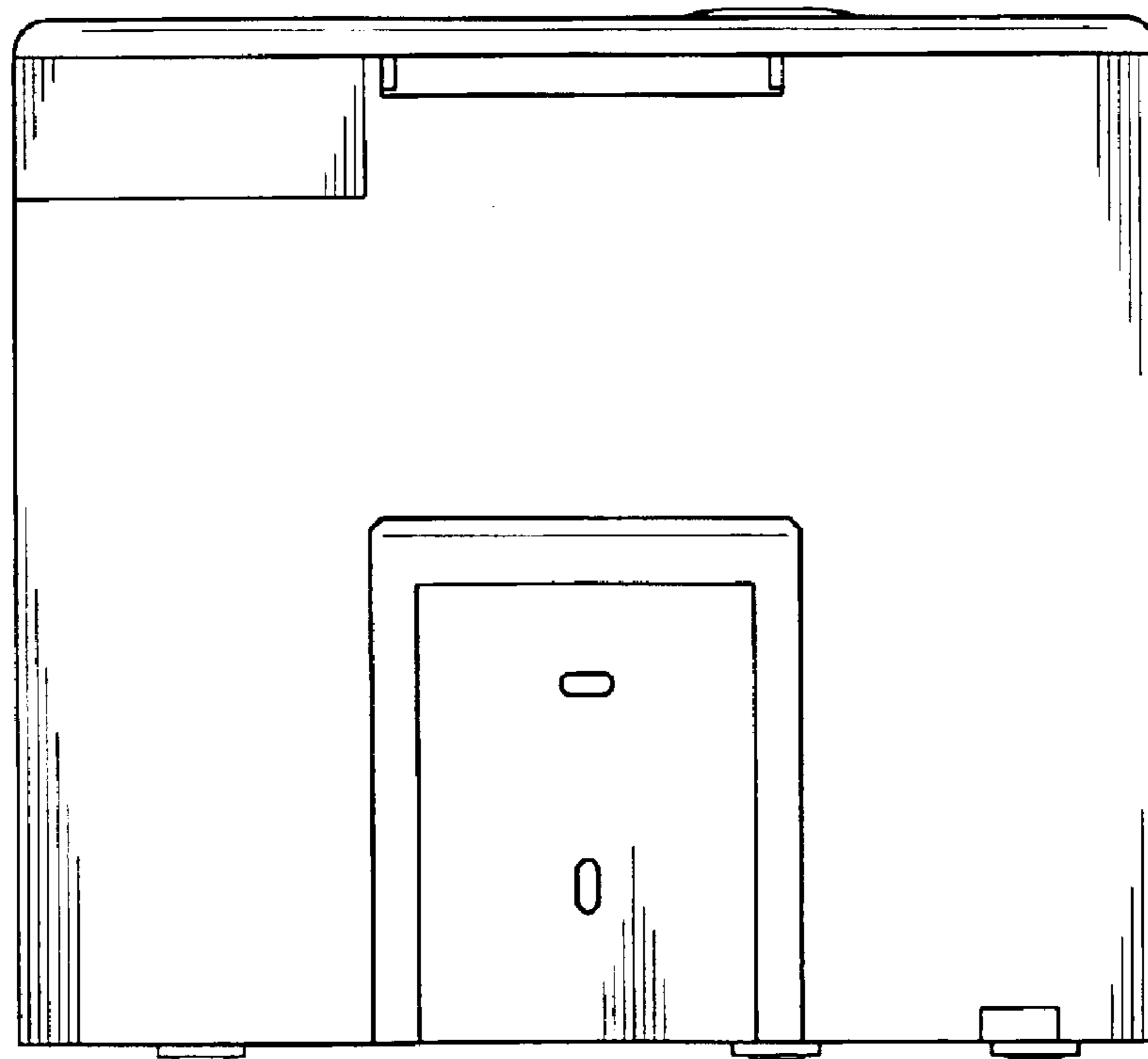


FIG. 3

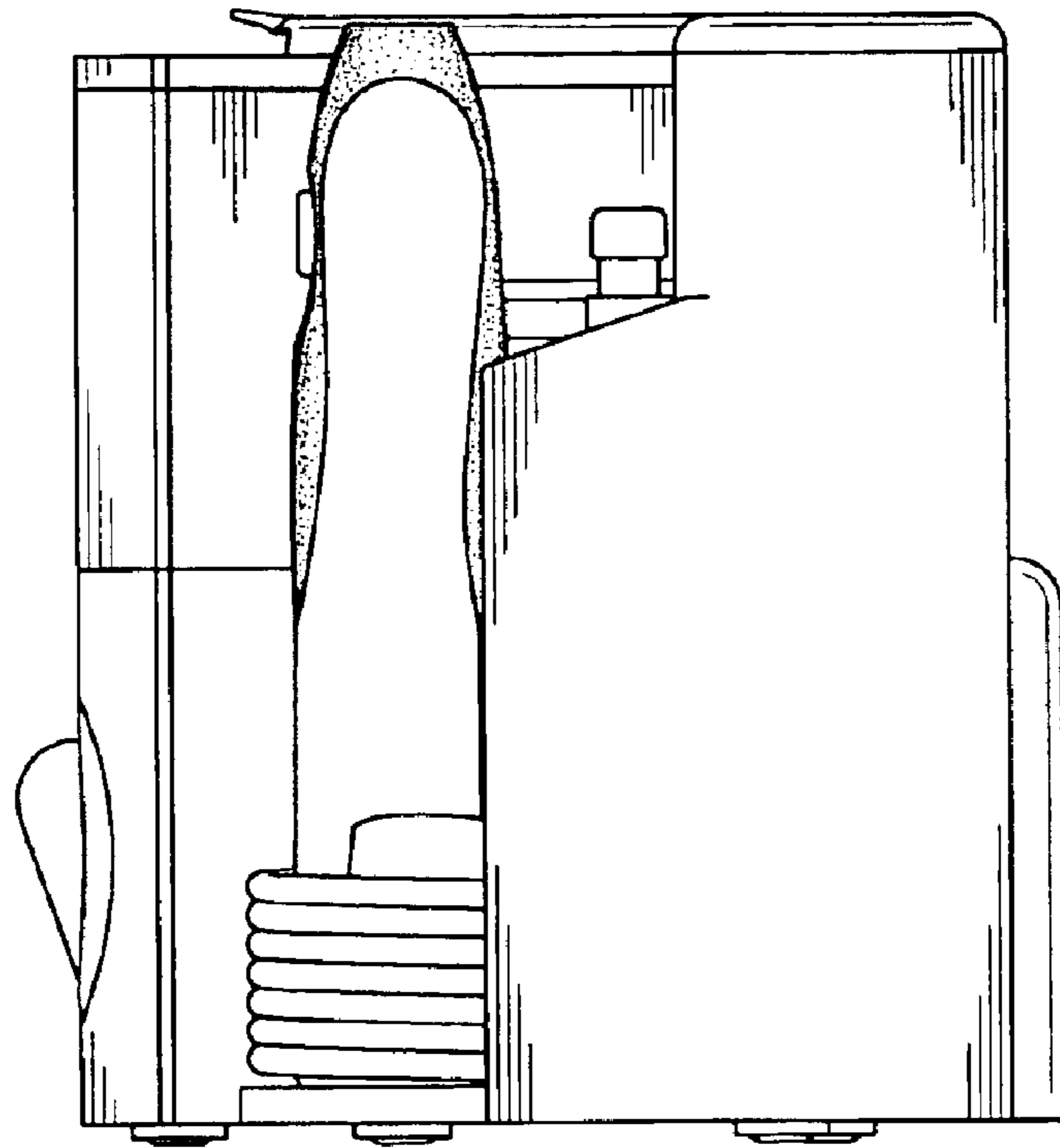


FIG. 4

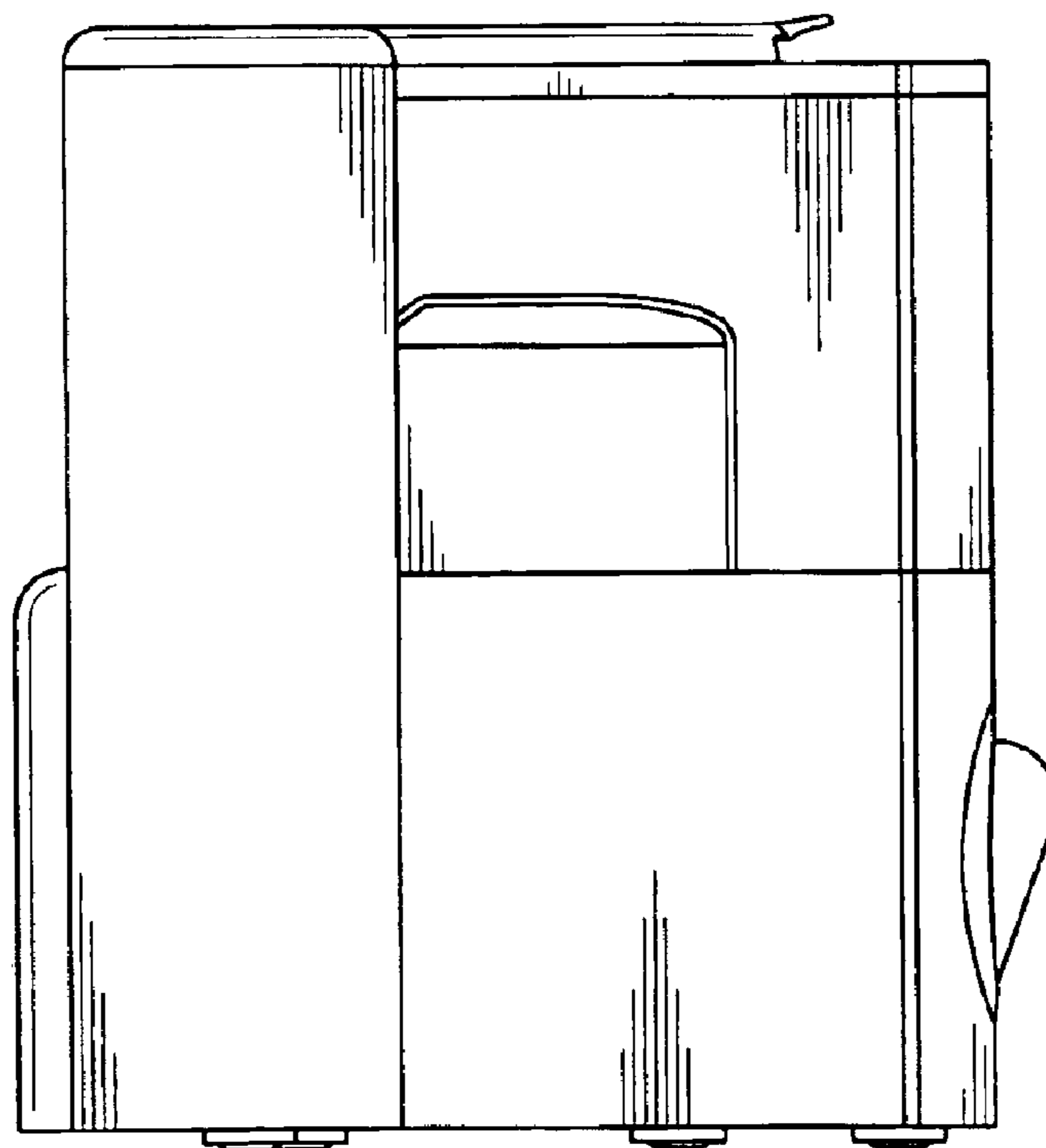


FIG. 5

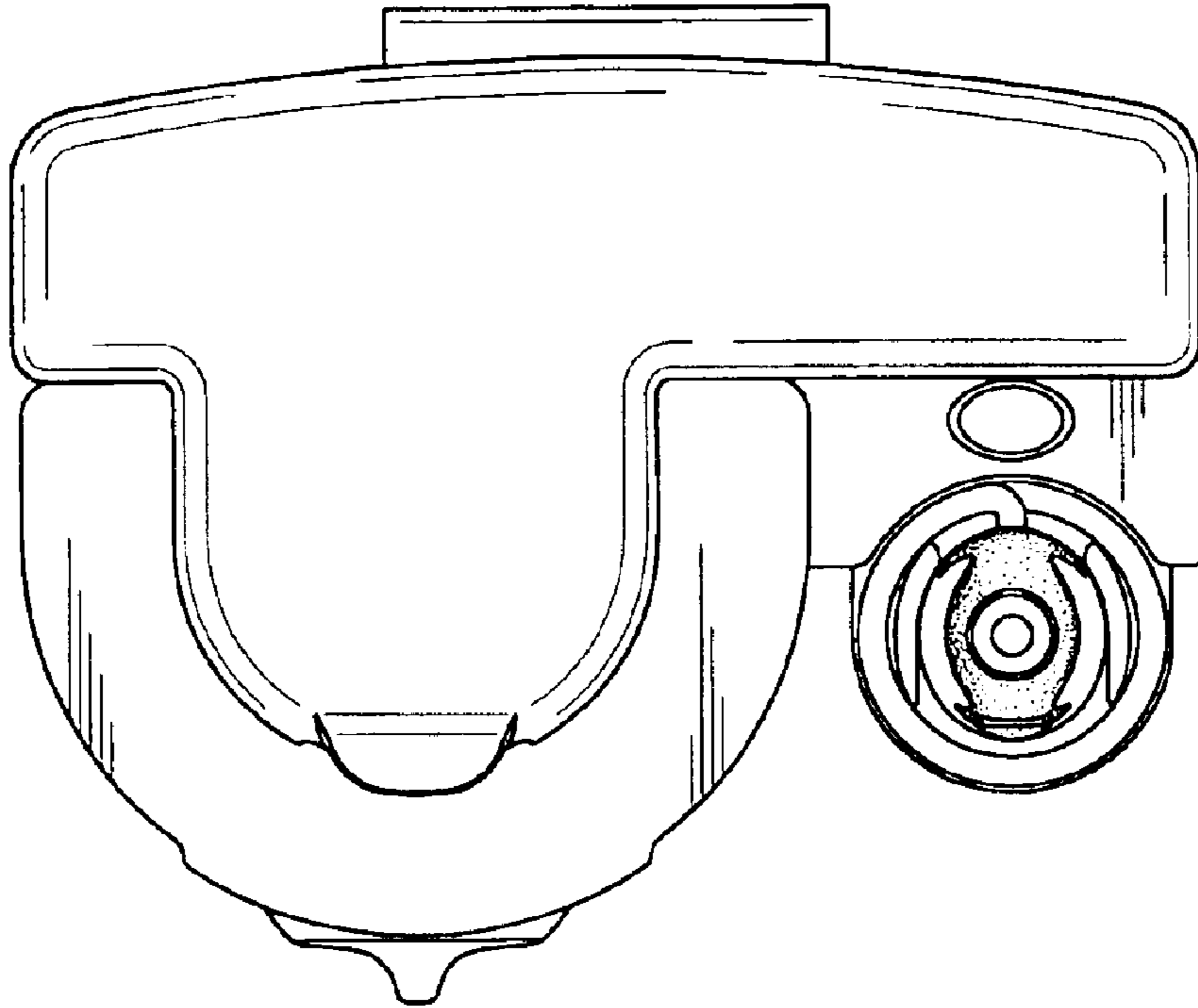


FIG. 6

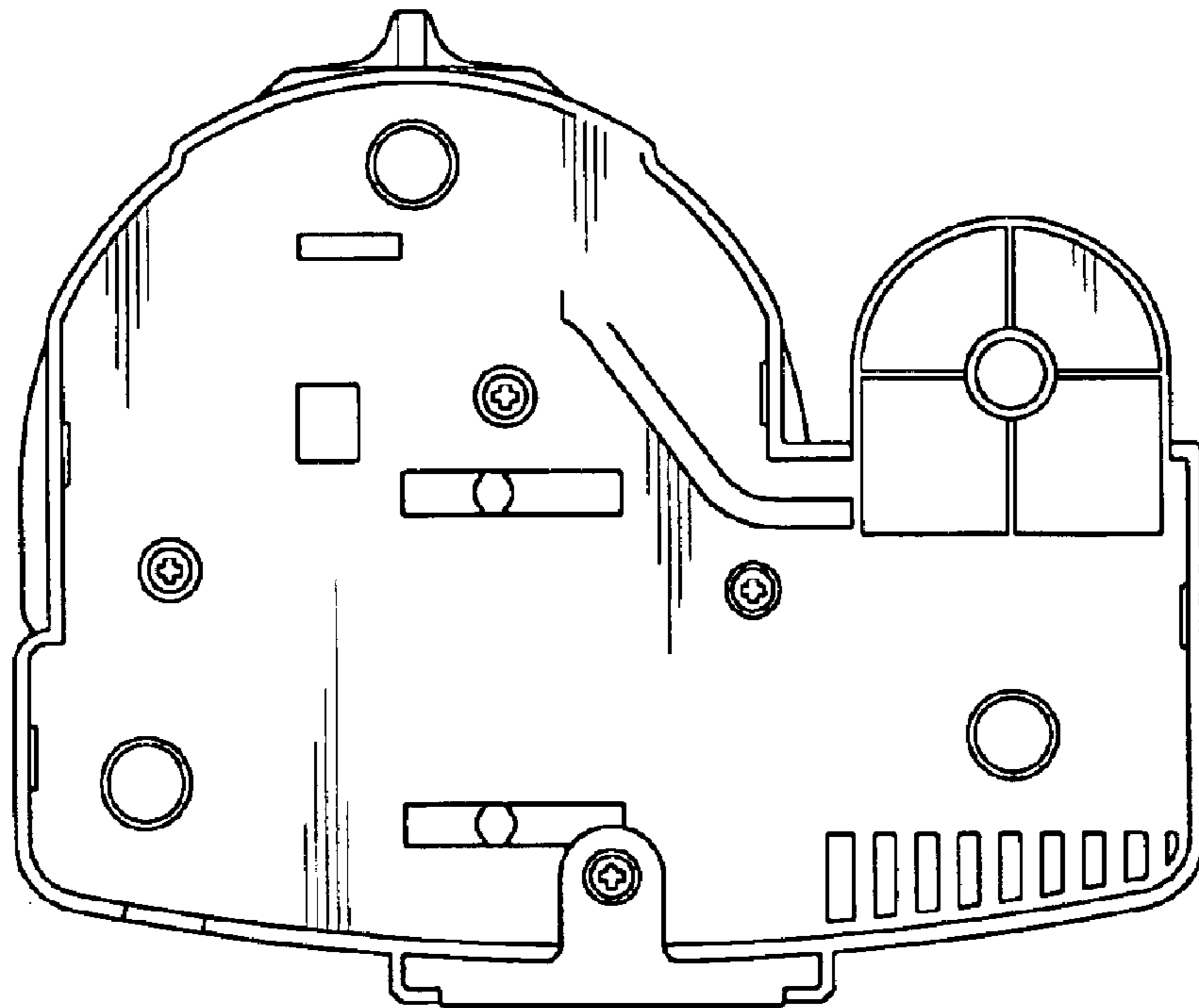


FIG. 7

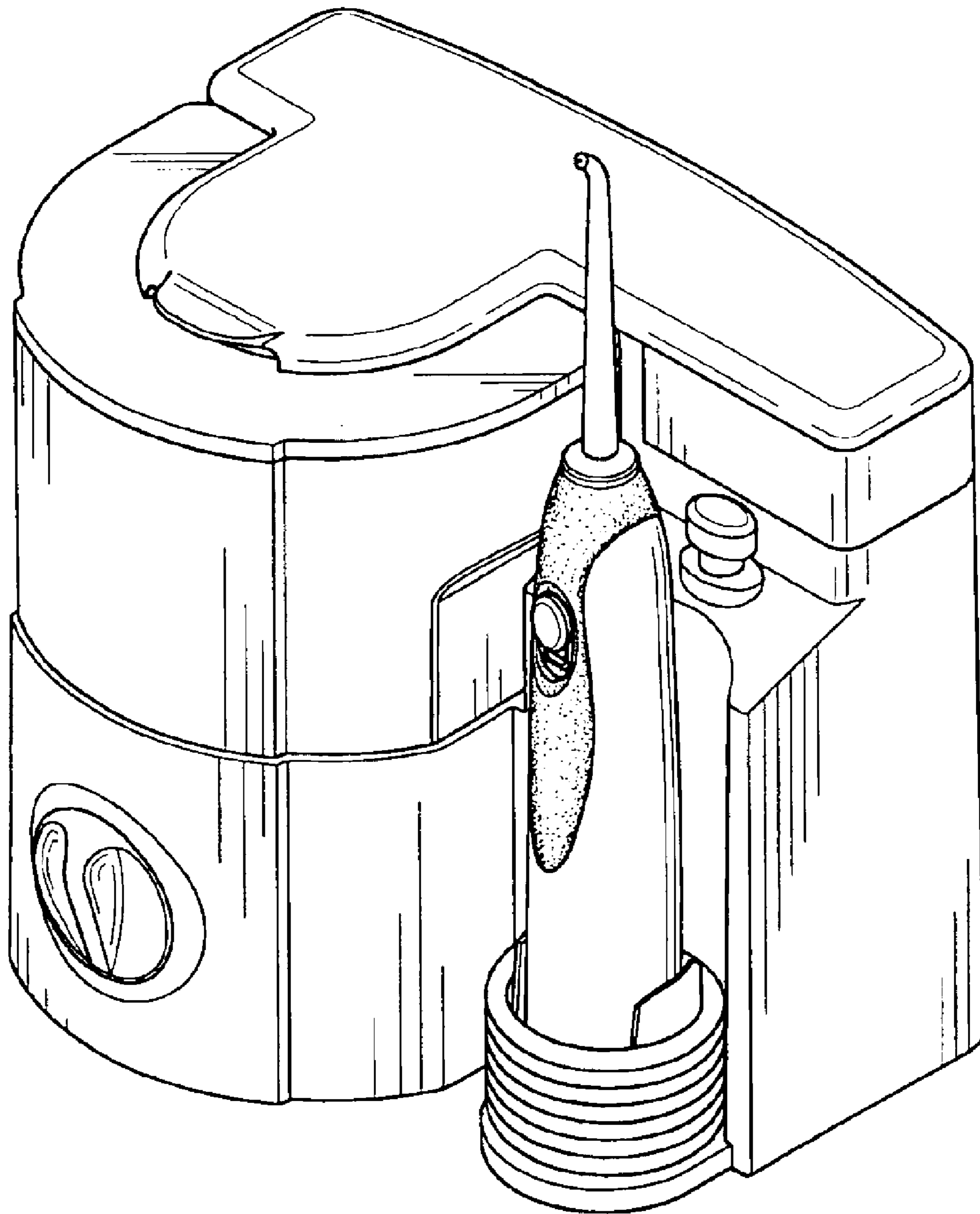


FIG. 8