



US00D513637S

(12) **United States Design Patent**
Haug et al.

(10) **Patent No.:** **US D513,637 S**
(45) **Date of Patent:** **** Jan. 17, 2006**

(54) **SHOWER PANEL**

D427,294 S * 6/2000 Haug et al. D23/304
6,134,722 A * 10/2000 Lowry et al. 4/601

(75) Inventors: **Andreas Haug**, Stuttgart (DE); **Tom Schonherr**, Stuttgart (DE); **Andreas Dimitriadis**, Lorch (DE); **Peter Kolin**, Schwabisch Gmund (DE)

* cited by examiner

Primary Examiner—Robert A. Delehanty
(74) *Attorney, Agent, or Firm*—Kwadjo Adusei-Poku; Lloyd D. Doigan

(73) Assignee: **Hansgrohe AG** (DE)

(**) Term: **14 Years**

(57) **CLAIM**

(21) Appl. No.: **29/211,008**

The ornamental design for a shower panel, as shown and described.

(22) Filed: **Aug. 10, 2004**

DESCRIPTION

(30) **Foreign Application Priority Data**

Feb. 11, 2004 (EM) 000131693

(51) **LOC (8) Cl.** **23-02**

(52) **U.S. Cl.** **D23/304**

(58) **Field of Classification Search** D23/270–271,
D23/275, 283, 303–304, 213, 228–229; 4/546,
4/552, 605, 596–597, 615, 617, 601
See application file for complete search history.

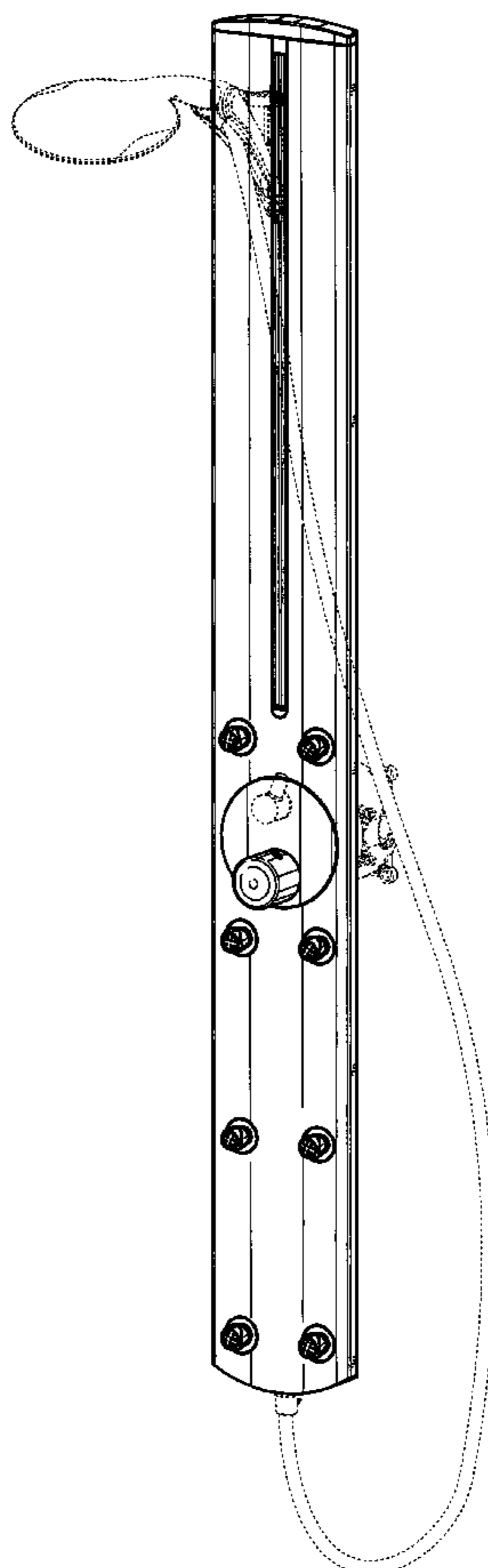
FIG. 1 is a front perspective view of a shower panel showing our new design;
FIG. 2 is a top plan view thereof;
FIG. 3 is a bottom plan view thereof;
FIG. 4 is a front elevational view thereof;
FIG. 5 is a left side elevational view thereof; and,
FIG. 6 is a right side elevational view thereof.
The broken line showing of portions of the shower panel is for illustrative purposes only and forms no part of the claimed design.

(56) **References Cited**

U.S. PATENT DOCUMENTS

4,561,136 A * 12/1985 Baer 4/615

1 Claim, 3 Drawing Sheets



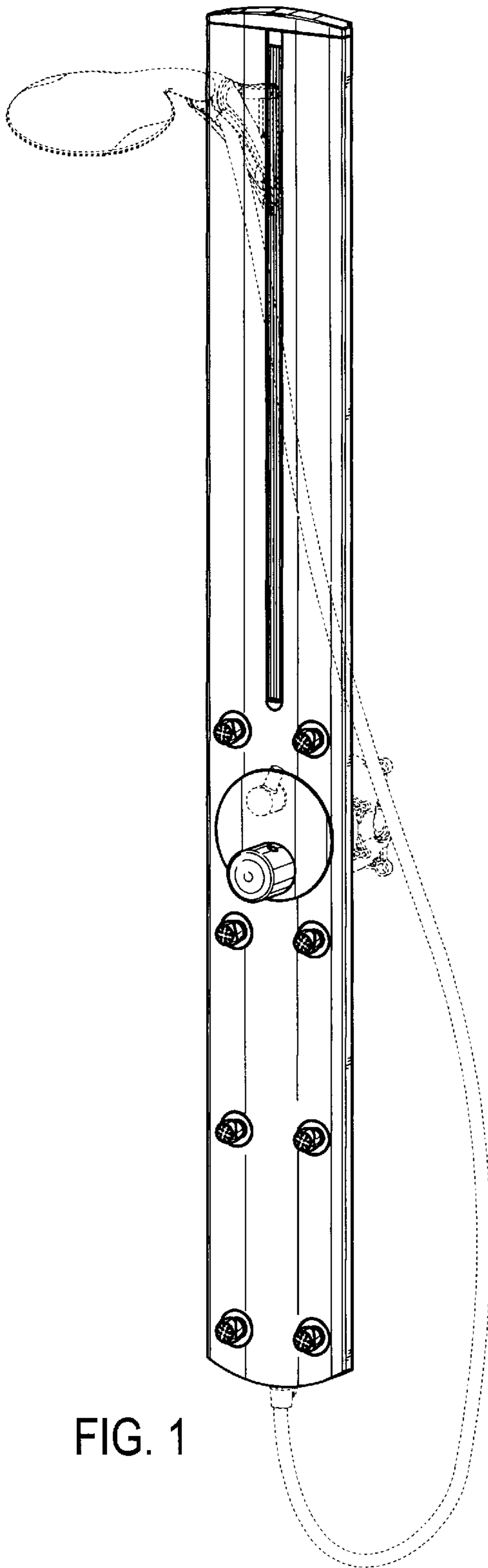


FIG. 1

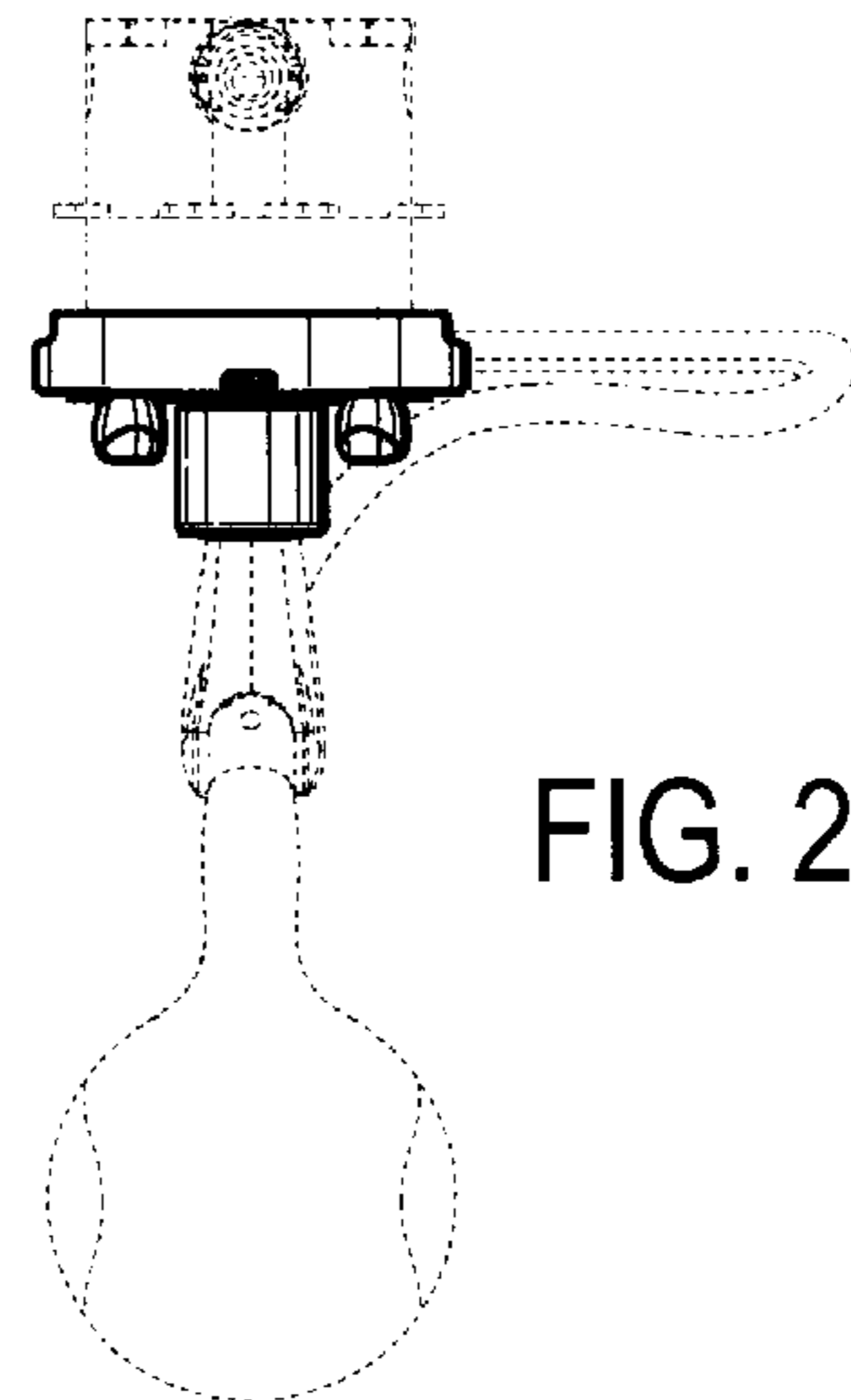


FIG. 2

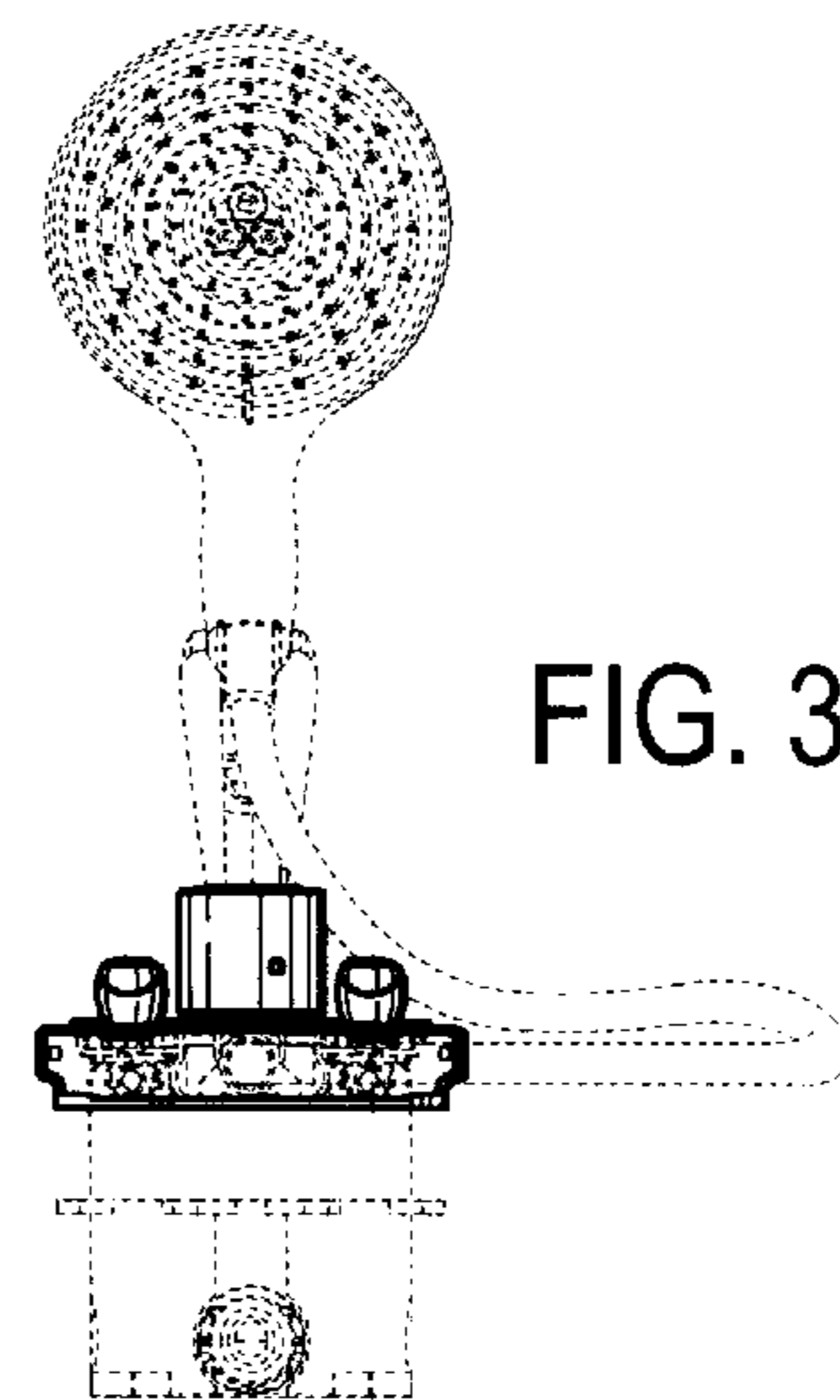


FIG. 3

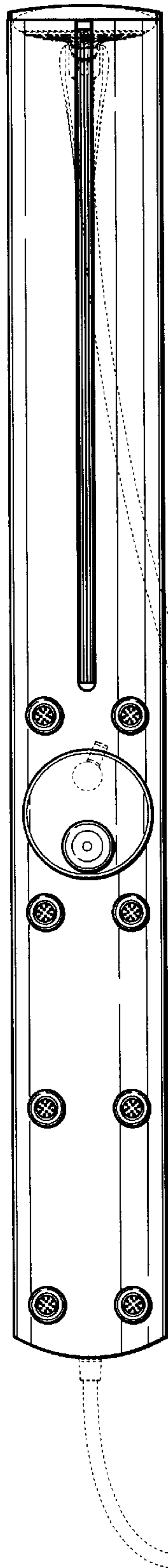


FIG. 4

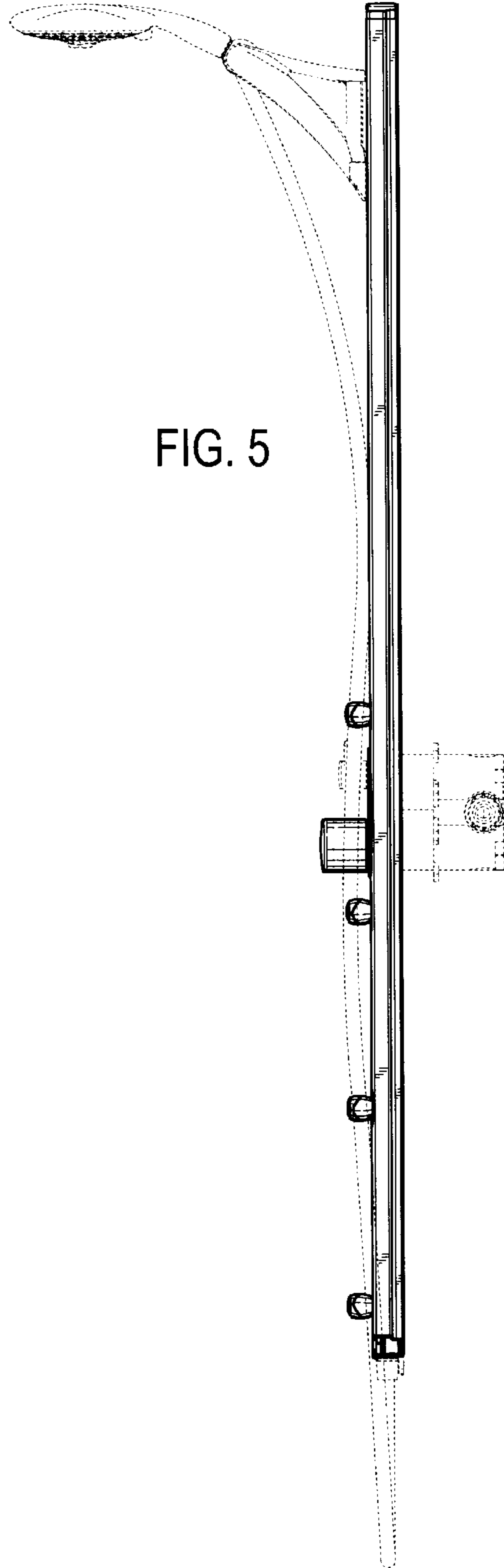


FIG. 5

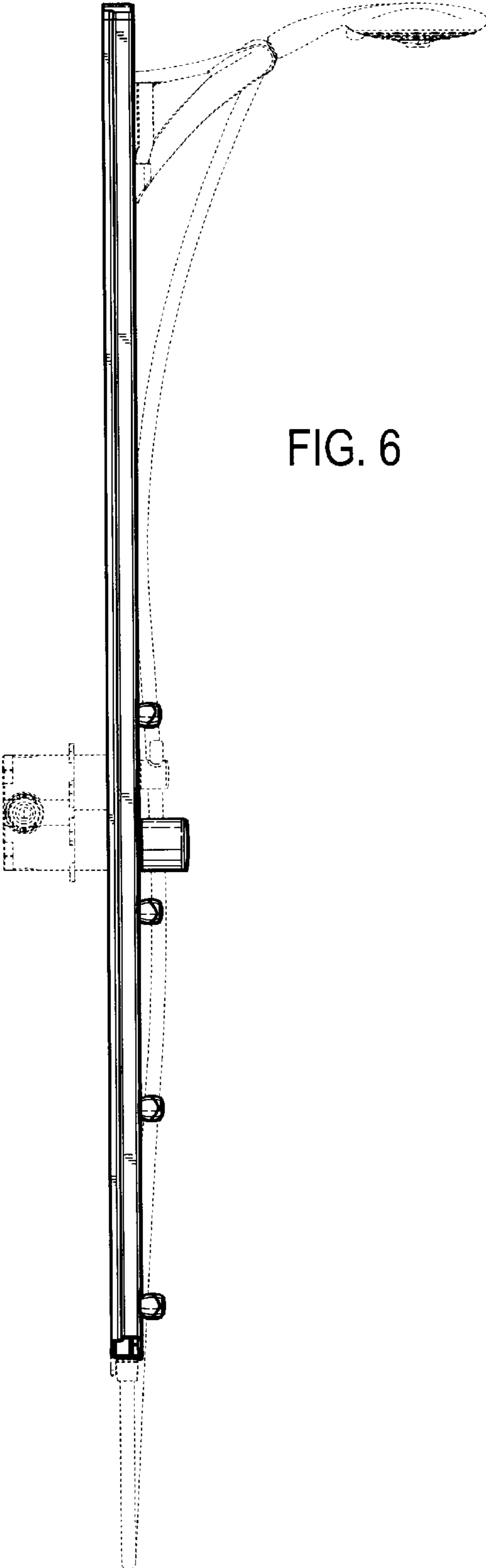


FIG. 6