



US00D513636S

(12) **United States Design Patent**
Blomstrom

(10) **Patent No.:** **US D513,636 S**
(45) **Date of Patent:** **** Jan. 17, 2006**

(54) **SPOUT**

D486,563 S 2/2004 Hsieh
D492,009 S * 6/2004 Egee D23/238

(75) **Inventor:** **John K. Blomstrom**, Sheboygan Falls,
WI (US)

* cited by examiner

(73) **Assignee:** **Kohler Co.**, Kohler, WI (US)

Primary Examiner—Louis S. Zarfes

Assistant Examiner—Gregory Andoll

(**) **Term:** **14 Years**

(74) *Attorney, Agent, or Firm*—Quarles & Brady LLP

(21) **Appl. No.:** **29/208,604**

(57) **CLAIM**

(22) **Filed:** **Jun. 30, 2004**

The ornamental design for a spout, as shown and described.

(51) **LOC (8) Cl.** **23-01**

DESCRIPTION

(52) **U.S. Cl.** **D23/241; D23/242**

In a preferred embodiment, the nature of this product is as a plumbing fixture in the form of a faucet spout primary useful for washing various items.

(58) **Field of Classification Search** D23/238–257;
4/675–678; 137/801

See application file for complete search history.

FIG. 1 is a left, top, front perspective view of a spout embodying my new design;

FIG. 2 is a front elevational view thereof;

FIG. 3 is a left side elevational view thereof, the right side view being a mirror image of the left side shown;

FIG. 4 is a top plan view thereof;

FIG. 5 is a rear elevational view thereof; and,

FIG. 6 is a bottom plan view thereof.

The broken lines in the Figures are for illustrative purposes only and form no part of the claimed design.

(56) **References Cited**

U.S. PATENT DOCUMENTS

D21,933 S	*	10/1892	Graham	D23/240
D96,839 S		1/1935	Johnston		
D287,269 S	*	12/1986	Piesco	D23/241
D355,956 S	*	2/1995	Jans	D23/241
D375,345 S	*	11/1996	Warshawsky	D23/241
D382,940 S		8/1997	Ku		
D468,810 S		1/2003	Smith		

1 Claim, 3 Drawing Sheets

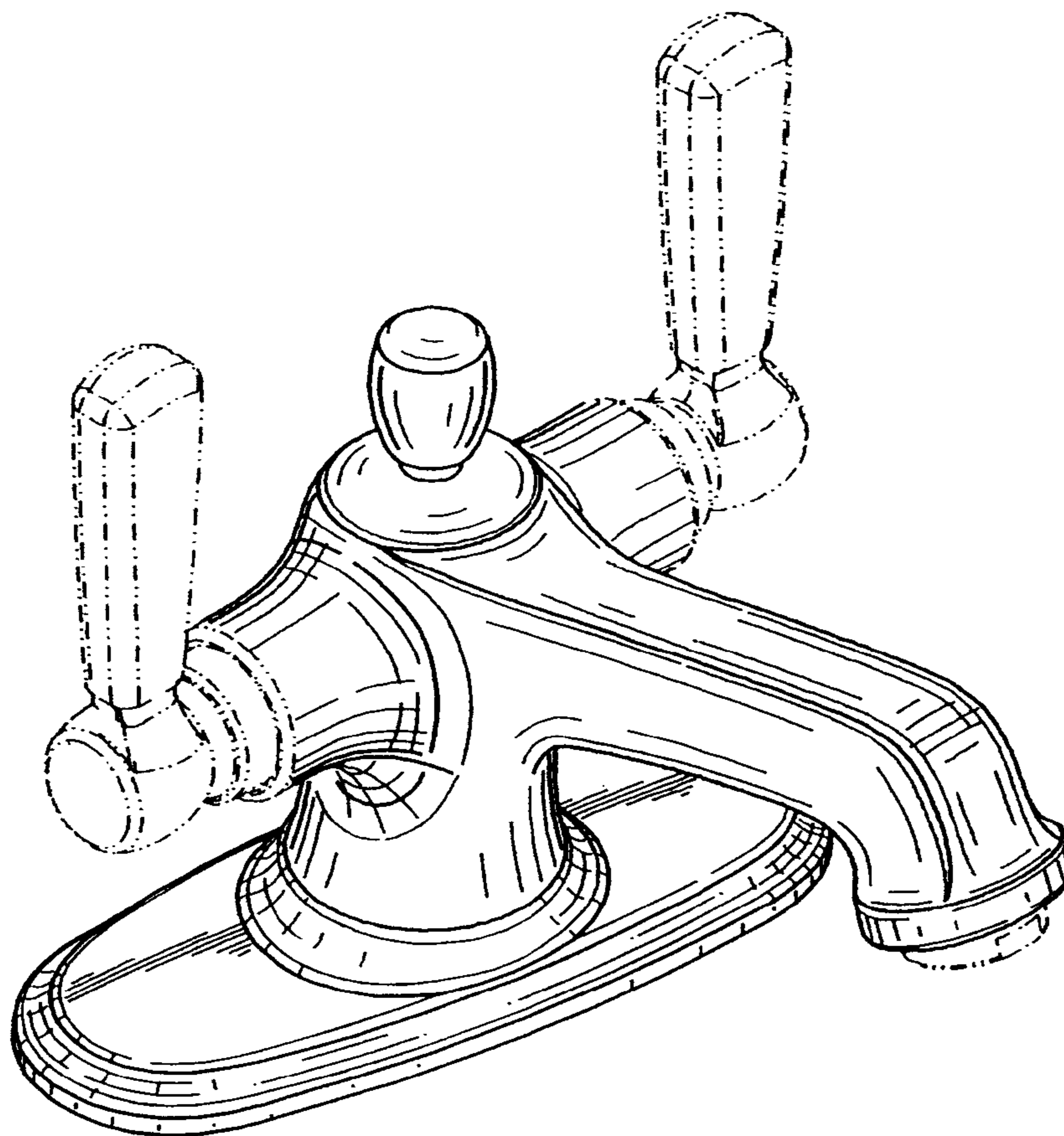


FIG. 1

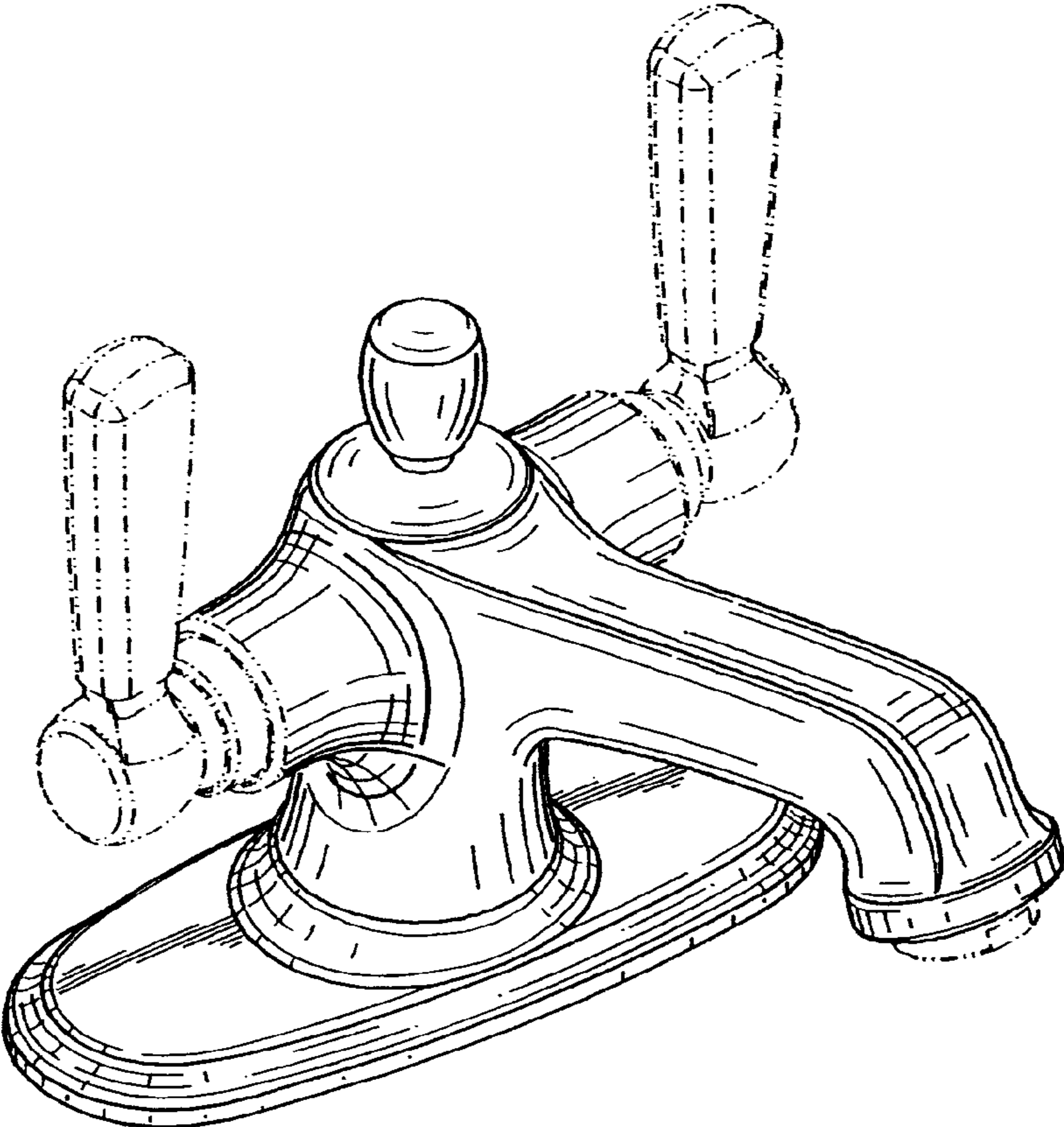


FIG. 2

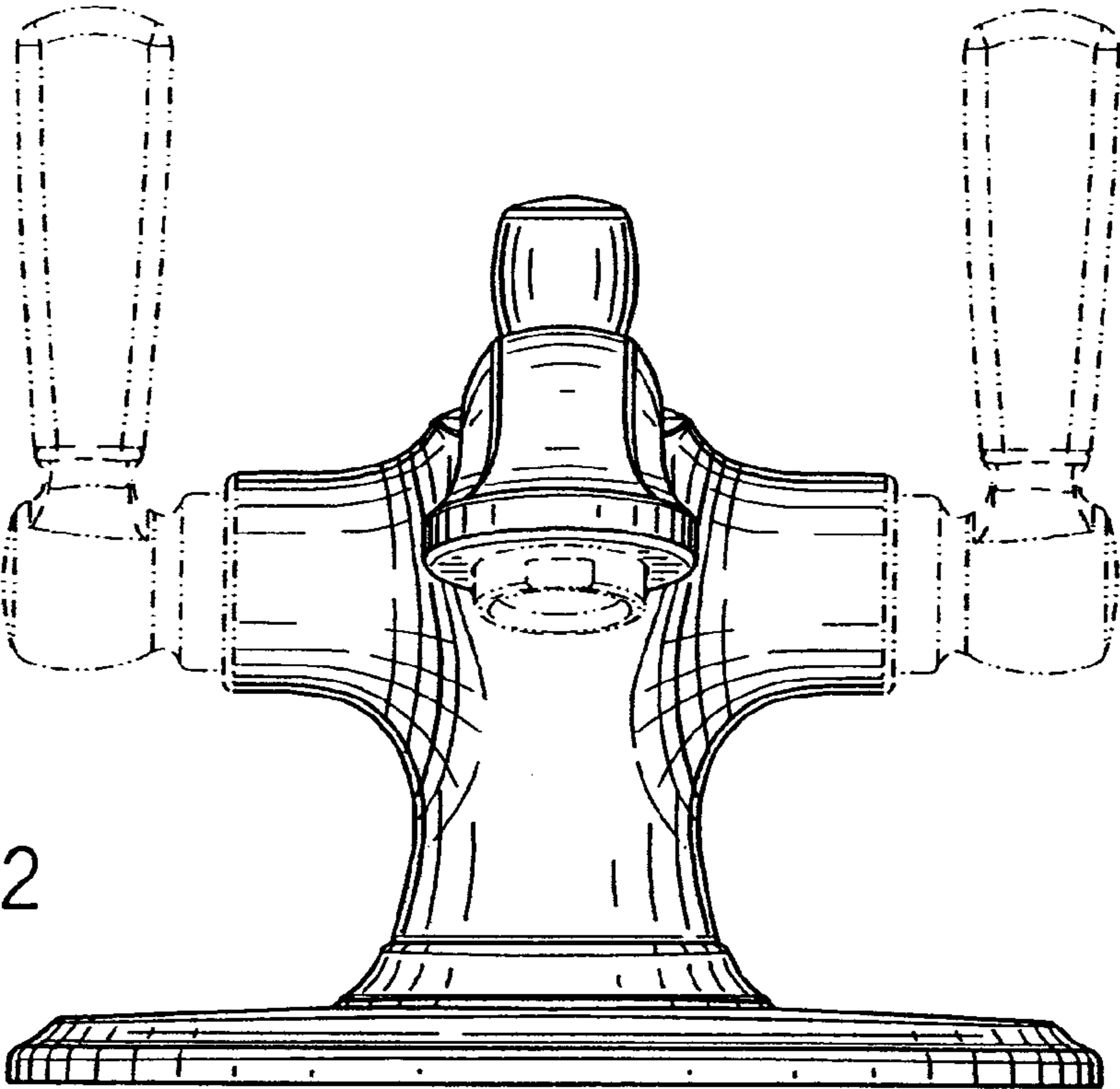


FIG. 3

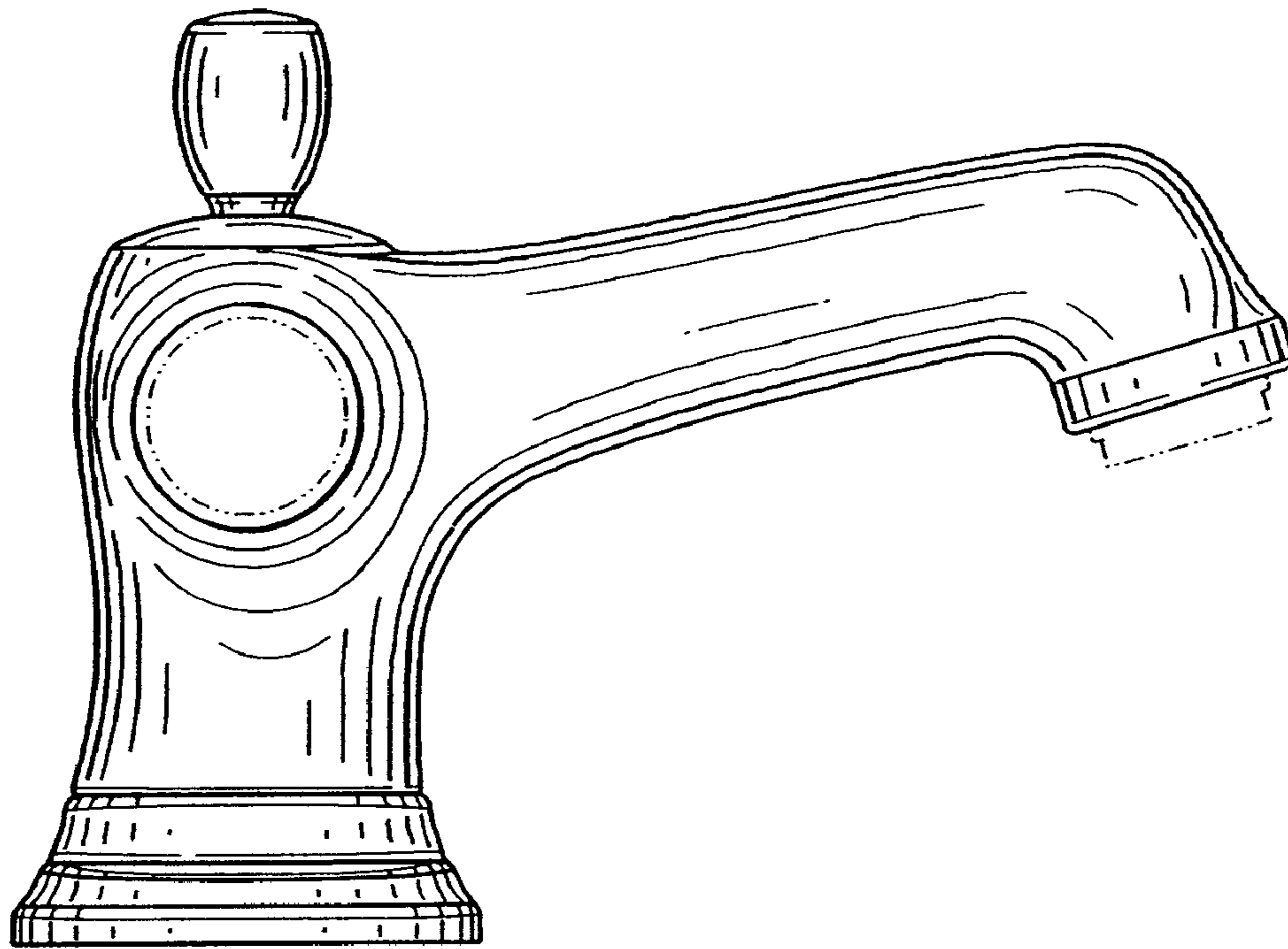
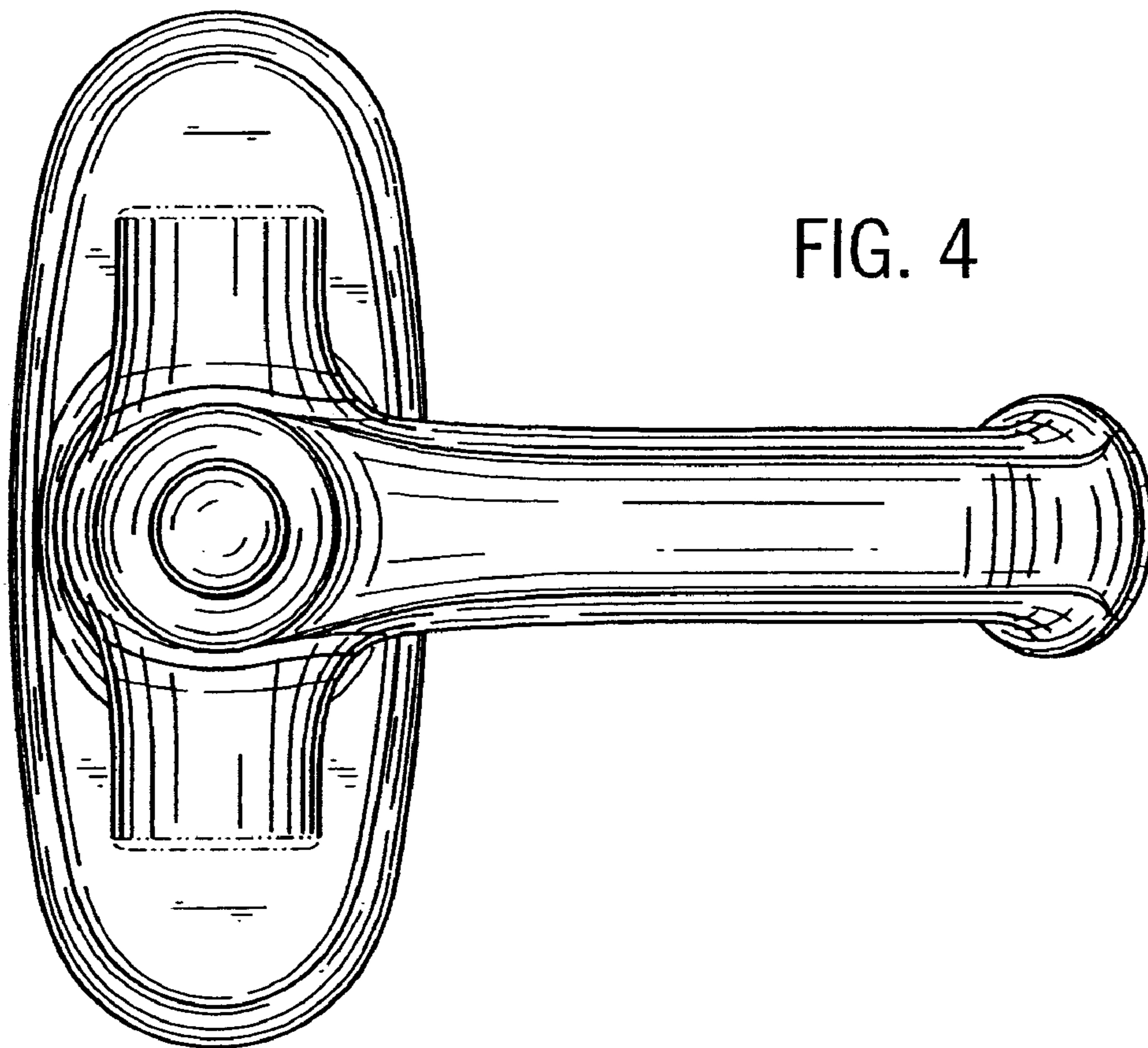


FIG. 4



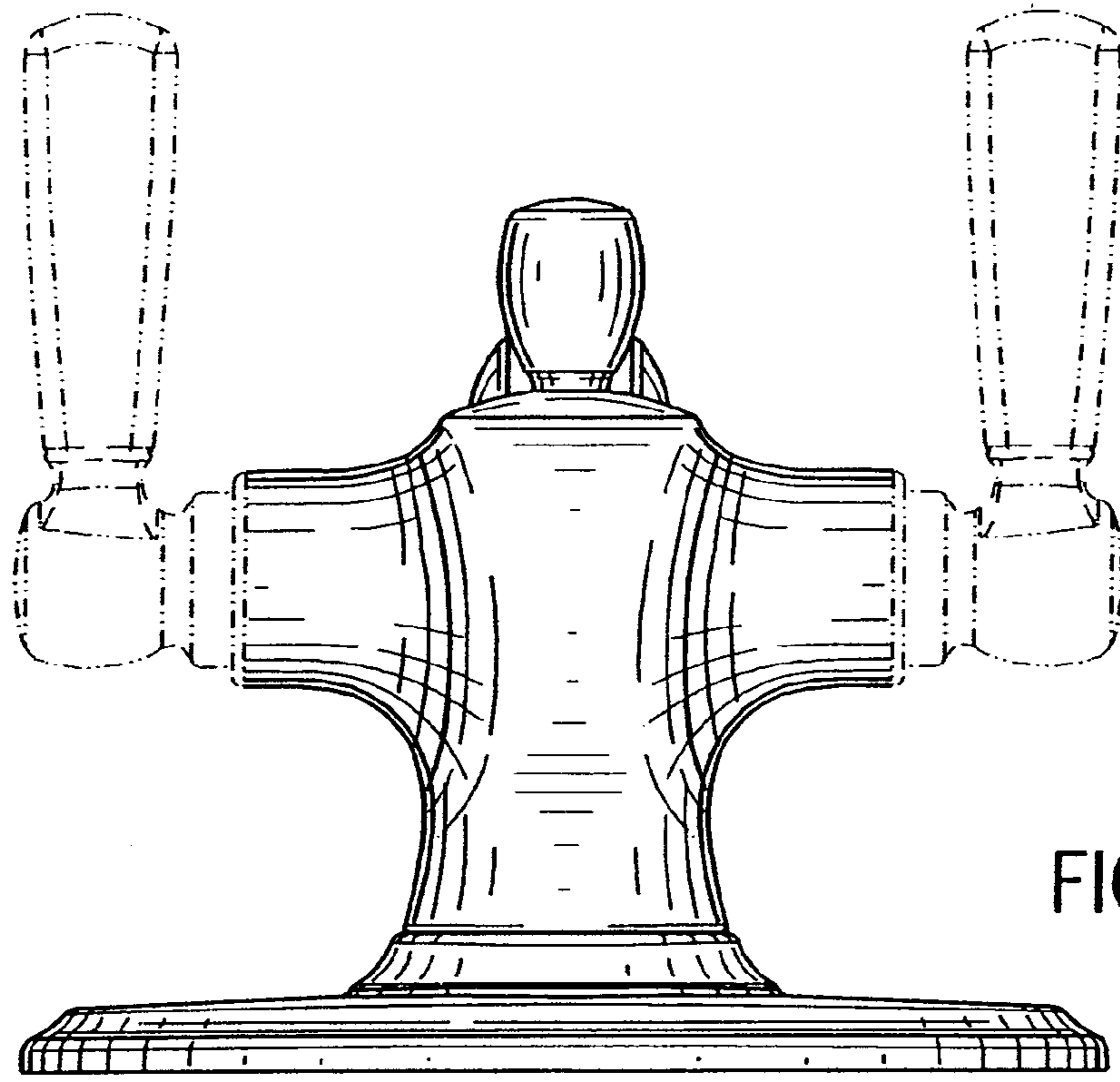


FIG. 5

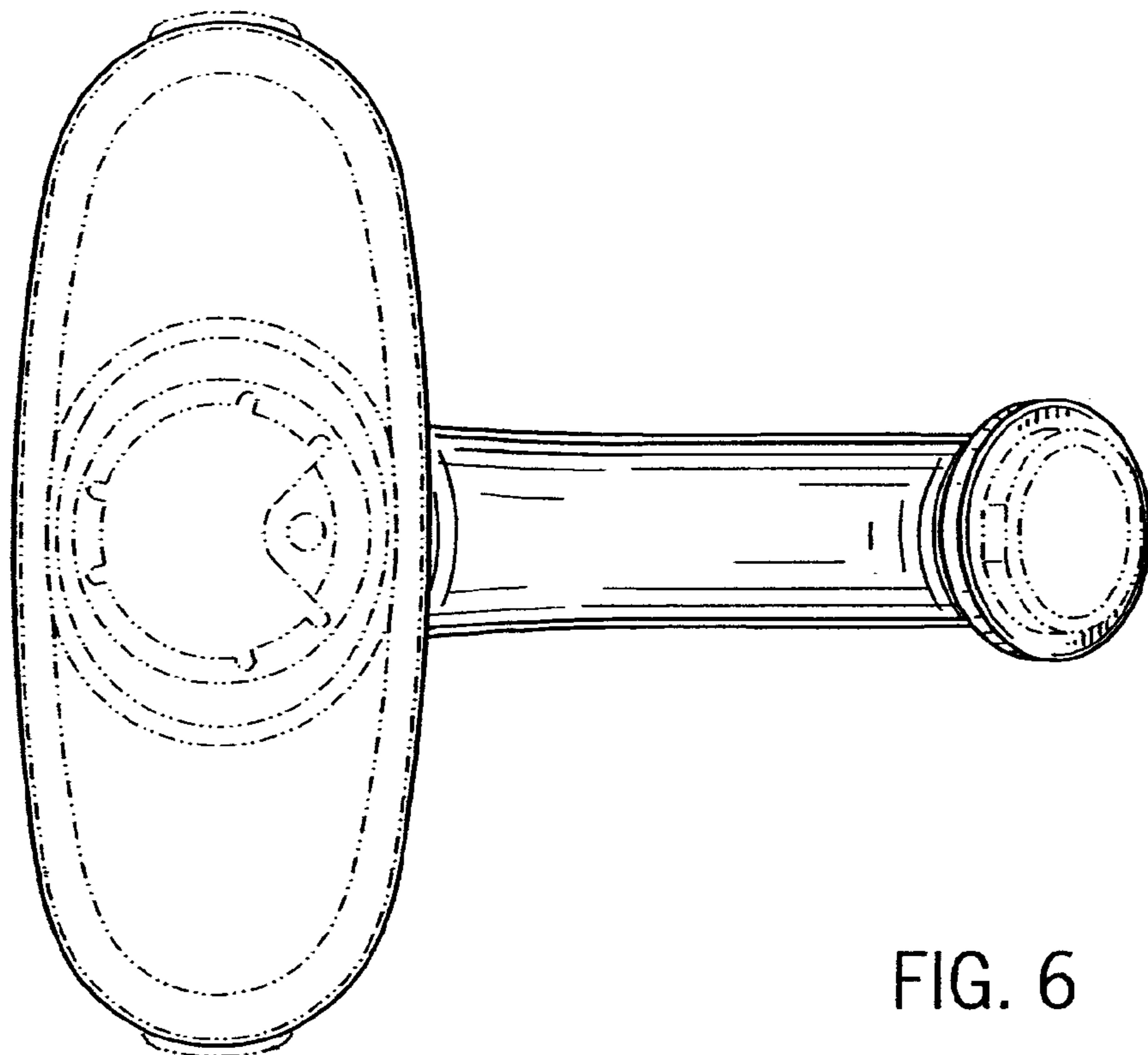


FIG. 6