



US00D513635S

(12) **United States Design Patent**
Haug et al.

(10) **Patent No.:** **US D513,635 S**
(45) **Date of Patent:** **** Jan. 17, 2006**

(54) **FAUCET ASSEMBLY**

D477,859 S * 7/2003 Citterio D23/241
D487,133 S * 2/2004 Haug et al. D23/238
D492,754 S * 7/2004 Blattner D23/238

(75) Inventors: **Andreas Haug**, Stuttgart (DE); **Tom Schonherr**, Stuttgart (DE); **Andreas Dimitriadis**, Lorch (DE); **Peter Kolin**, Schwabisch Gmund (DE)

* cited by examiner

(73) Assignee: **Hansgrohe AG** (DE)

Primary Examiner—Louis S. Zarfes
Assistant Examiner—Gregory A Andoll
(74) *Attorney, Agent, or Firm*—Kwadjo Adusei-Poku; Lloyd D. Doigan

(**) Term: **14 Years**

(21) Appl. No.: **29/207,625**

(57) **CLAIM**

(22) Filed: **Jun. 16, 2004**

The ornamental design for a faucet assembly, as shown and described.

(30) **Foreign Application Priority Data**

DESCRIPTION

Dec. 19, 2003 (EM) 000118997-0006

(51) **LOC (8) Cl.** **23-01**

FIG. 1 is a front perspective view of a faucet assembly showing our new design;

(52) **U.S. Cl.** **D23/238**

FIG. 2 is a top plan view thereof;

(58) **Field of Classification Search** D23/238-257;
4/675-678; 137/801

FIG. 3 is a front elevational view thereof;

See application file for complete search history.

FIG. 4 is a bottom elevational view thereof;

FIG. 5 is a right side elevational view thereof; and,

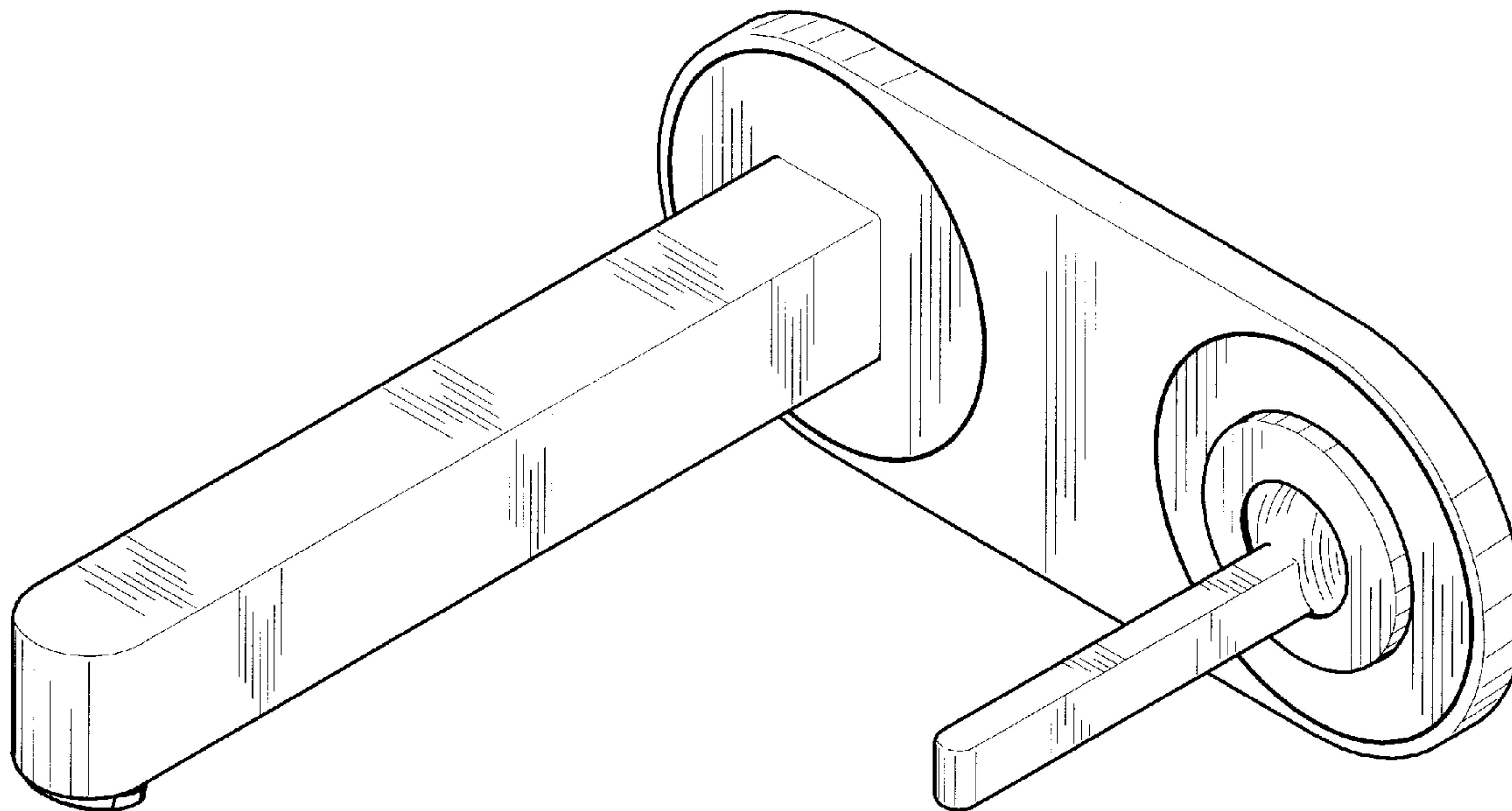
FIG. 6 is a left side elevational view thereof.

(56) **References Cited**

U.S. PATENT DOCUMENTS

D467,307 S * 12/2002 Sieger D23/242

1 Claim, 5 Drawing Sheets



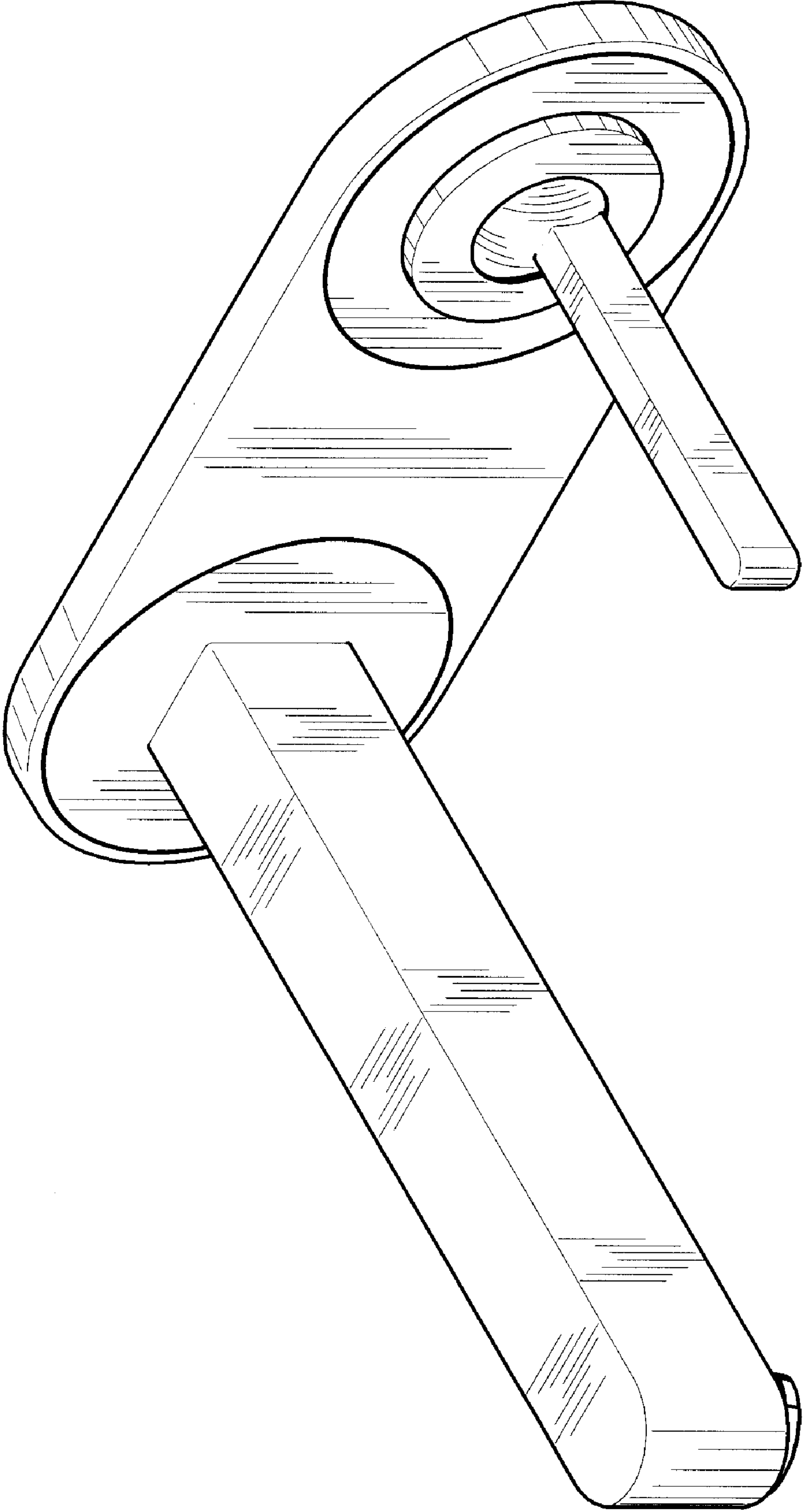
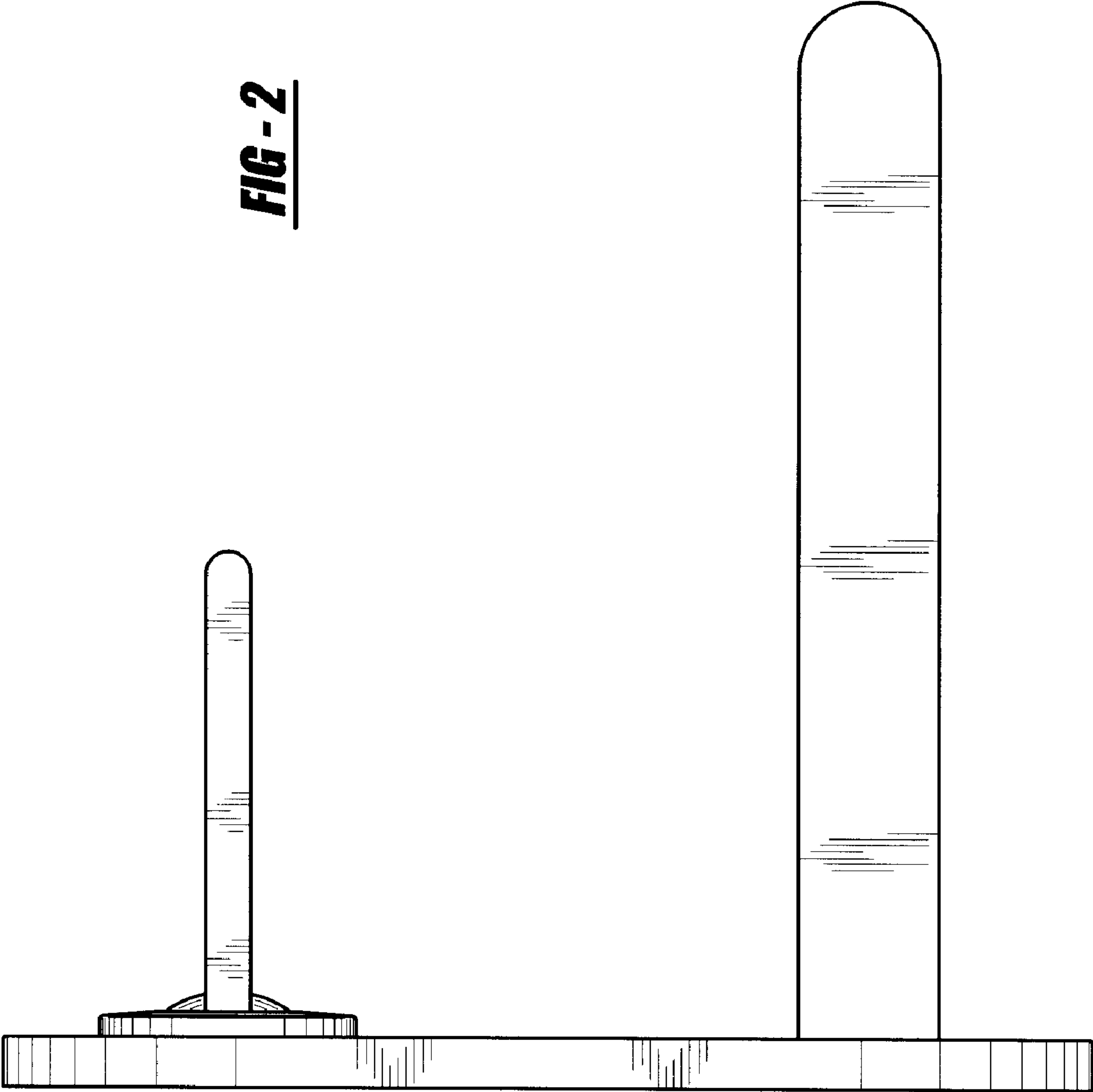


FIG - 1

FIG - 2



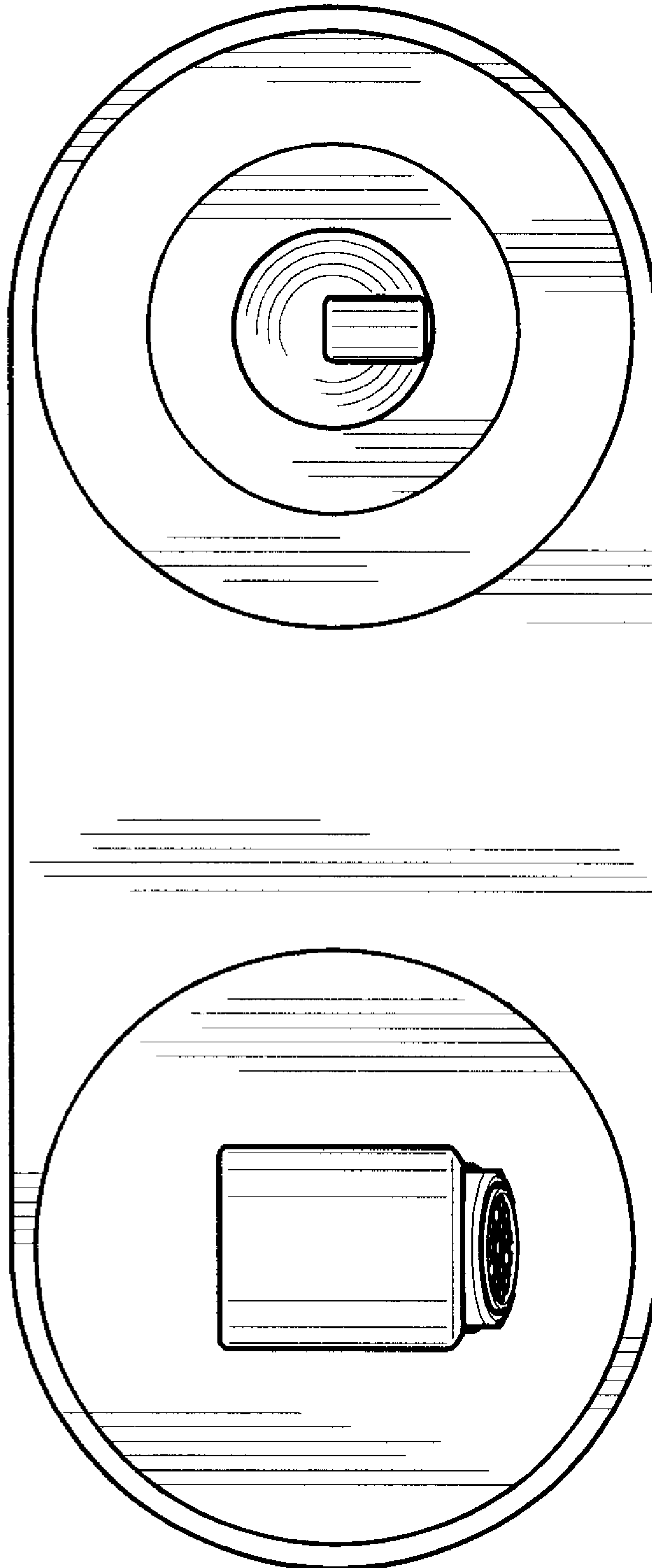


FIG - 3

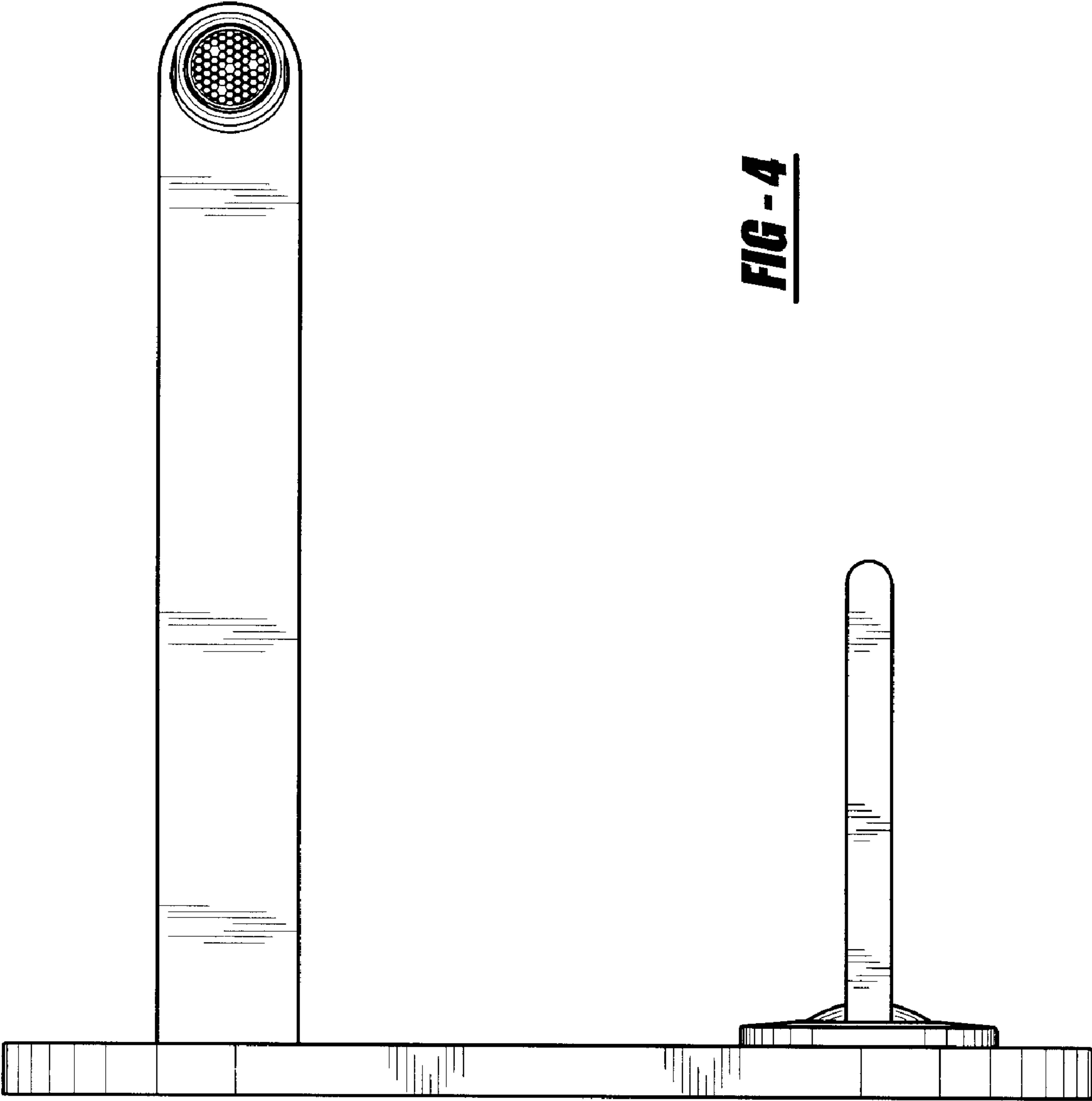


FIG - 4

FIG - 5

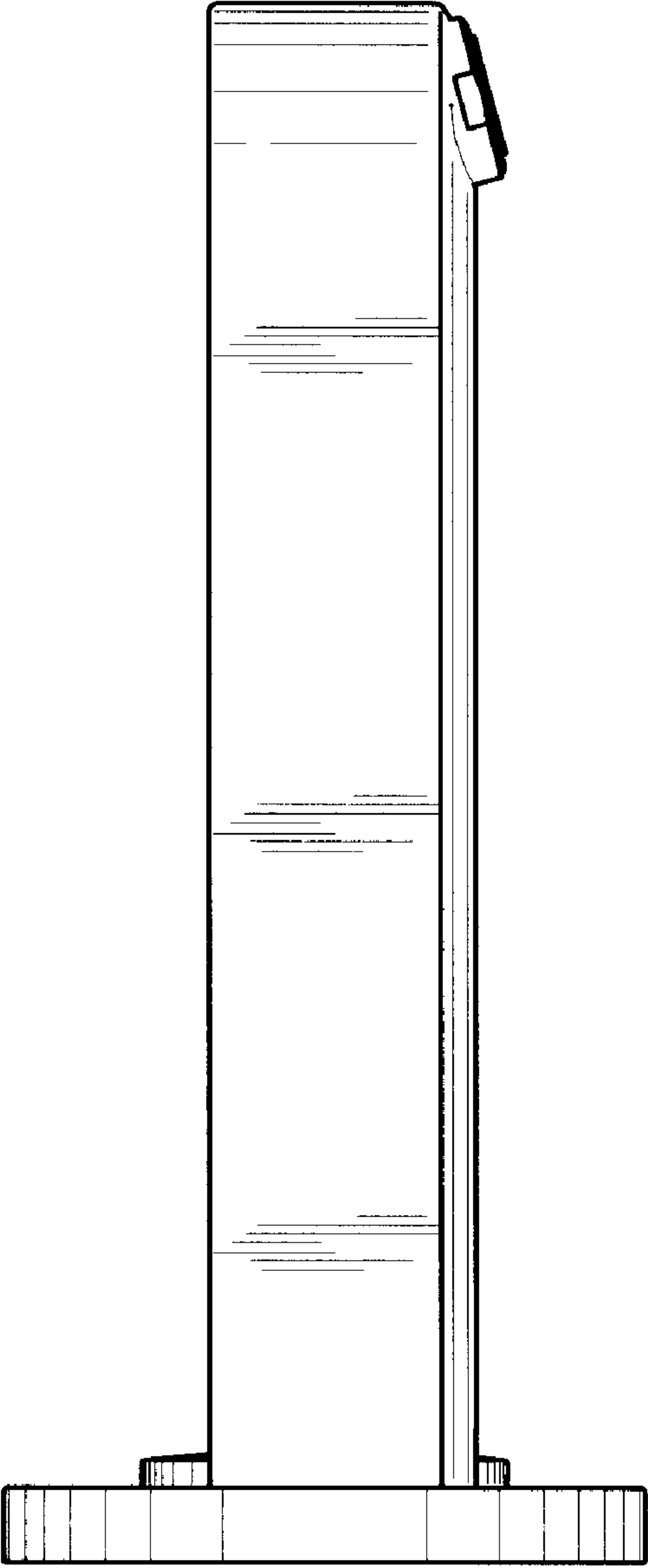


FIG - 6

