

US00D513633S

(12) **United States Design Patent**
Ding

(10) **Patent No.:** **US D513,633 S**
(45) **Date of Patent:** **** Jan. 17, 2006**

(54) **MULTI-RAIL FIREARM ACCESSORY MOUNT**

(75) Inventor: **Tai-Lai Ding**, Northville, MI (US)

(73) Assignee: **Leapers, Inc**, Livonia, MI (US)

(**) Term: **14 Years**

(21) Appl. No.: **29/229,048**

(22) Filed: **May 3, 2005**

6,499,245	B1	*	12/2002	Swan	42/71.01
6,508,027	B1	*	1/2003	Kim	42/124
6,606,813	B1	*	8/2003	Squire et al.	42/90
6,618,976	B1	*	9/2003	Swan	42/114
D486,878	S		2/2004	Selvaggio		
D487,792	S		3/2004	Selvaggio		
6,779,288	B1	*	8/2004	Kim	42/72
6,792,711	B2	*	9/2004	Battaglia	42/114
6,826,864	B1	*	12/2004	Houtsma	42/90
6,854,206	B2	*	2/2005	Oz	42/124
6,895,708	B2	*	5/2005	Kim et al.	42/72

* cited by examiner

Related U.S. Application Data

(62) Division of application No. 29/197,048, filed on Jan. 9, 2004.

(51) **LOC (8) Cl.** **22-01**

(52) **U.S. Cl.** **D22/110**

(58) **Field of Classification Search** D22/100,
D22/108, 109, 110, 199; 42/11, 113, 116,
42/119, 124, 125, 90, 127, 145, 115, 126,
42/128, 72, 106, 114, 142, 85, 75.02, 71.01;
42/248/205.1, 201

See application file for complete search history.

Primary Examiner—Louis S. Zarfes

Assistant Examiner—Melanie Levy

(74) *Attorney, Agent, or Firm*—Honigman Miller Schwartz & Cohn LLP

(57) **CLAIM**

The ornamental design for multi-rail firearm accessory mount, as shown and described.

DESCRIPTION

FIG. 1 is a top isometric perspective view of a multi-rail firearm accessory mount according to the present invention; FIG. 2 is a right side elevational view of FIG. 1; FIG. 3 is a left side elevational view of FIG. 1; FIG. 4 is a rear end elevational view of FIG. 1; FIG. 5 is a front and elevational view of FIG. 1; FIG. 6 is a top view of FIG. 1; and, FIG. 7 is a bottom view of FIG. 1.

(56) **References Cited**

U.S. PATENT DOCUMENTS

5,533,292	A	7/1996	Swan	
D410,061	S	5/1999	Emerson	
D435,885	S	1/2001	Wallace	
6,418,657	B1	7/2002	Brown	
6,490,822	B1	* 12/2002	Swan 42/71.01

1 Claim, 3 Drawing Sheets

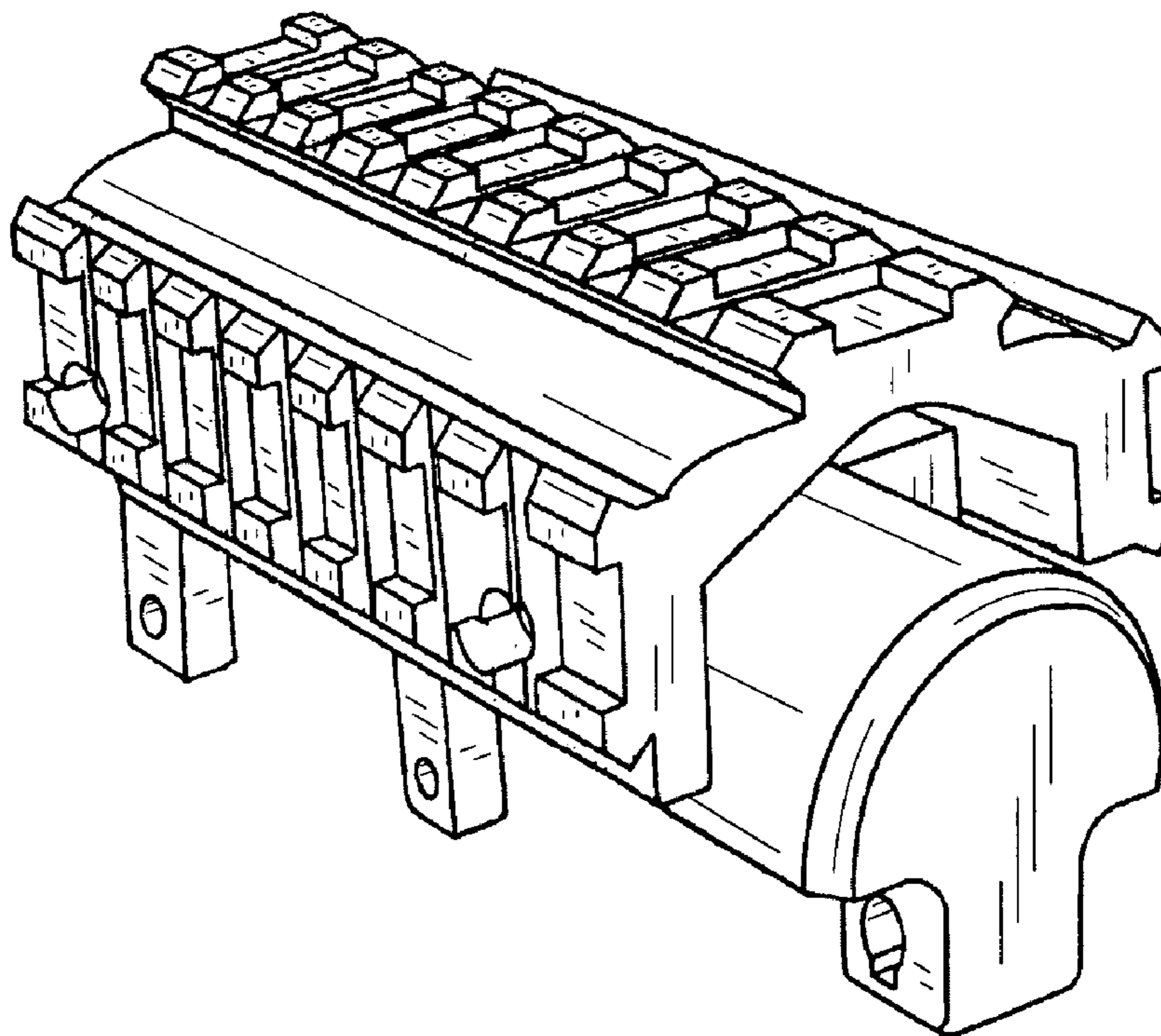


FIG 1

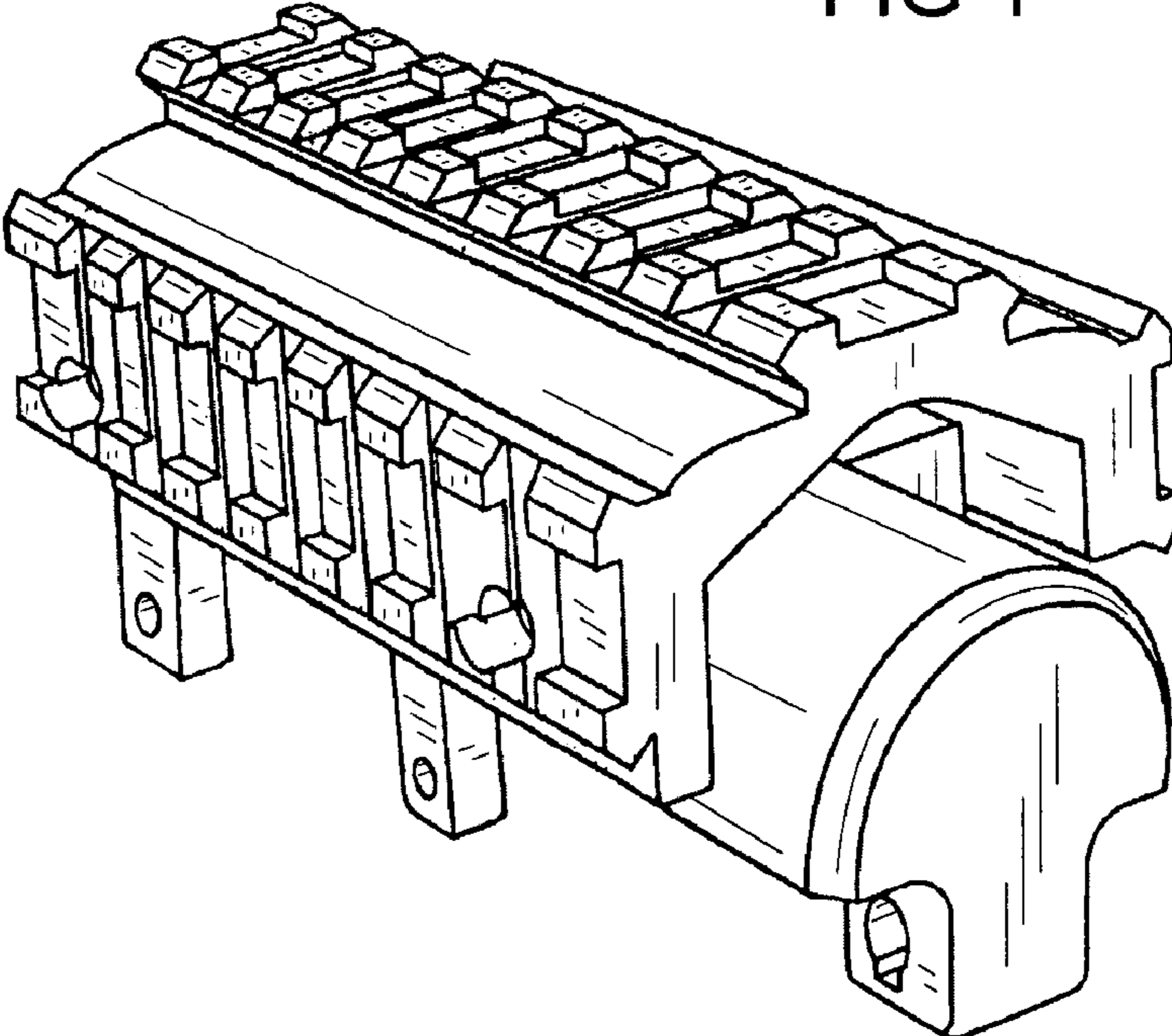


FIG 6

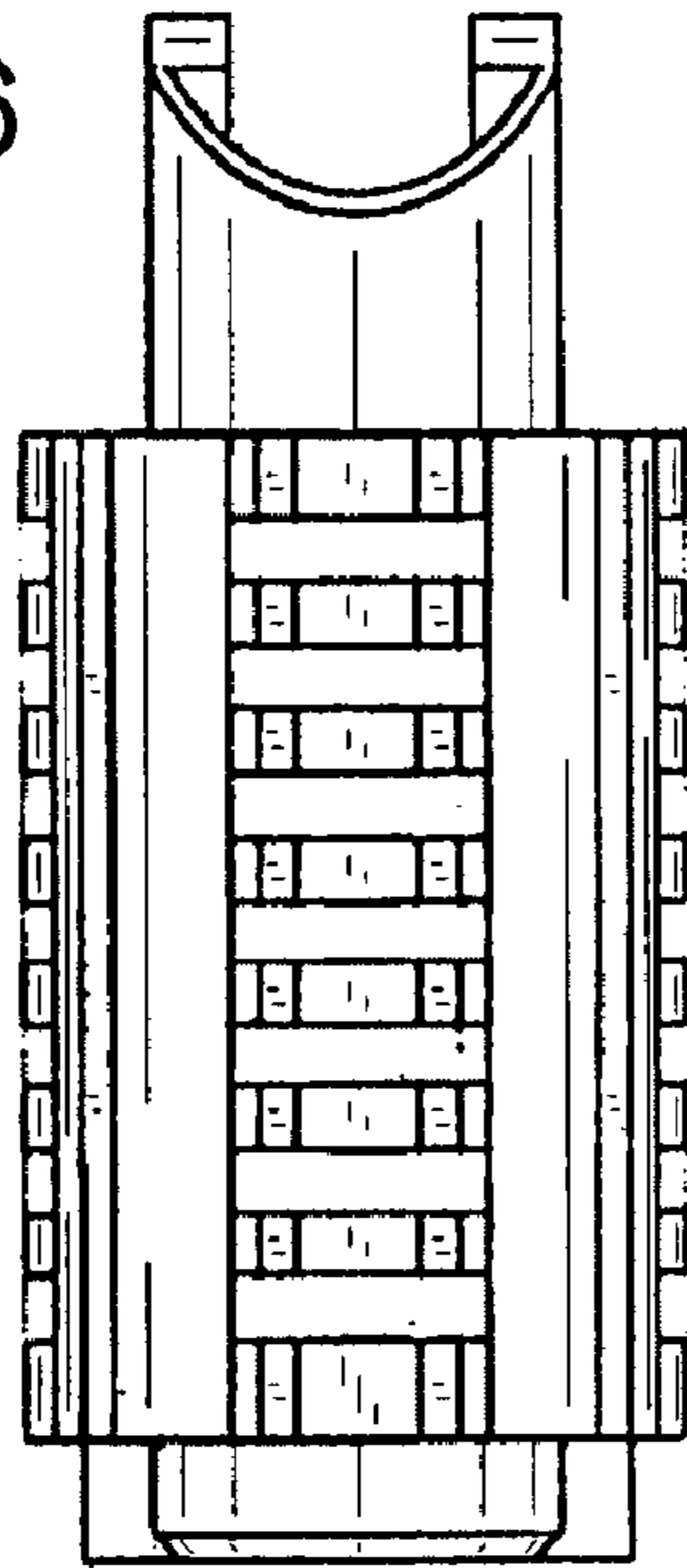


FIG 2

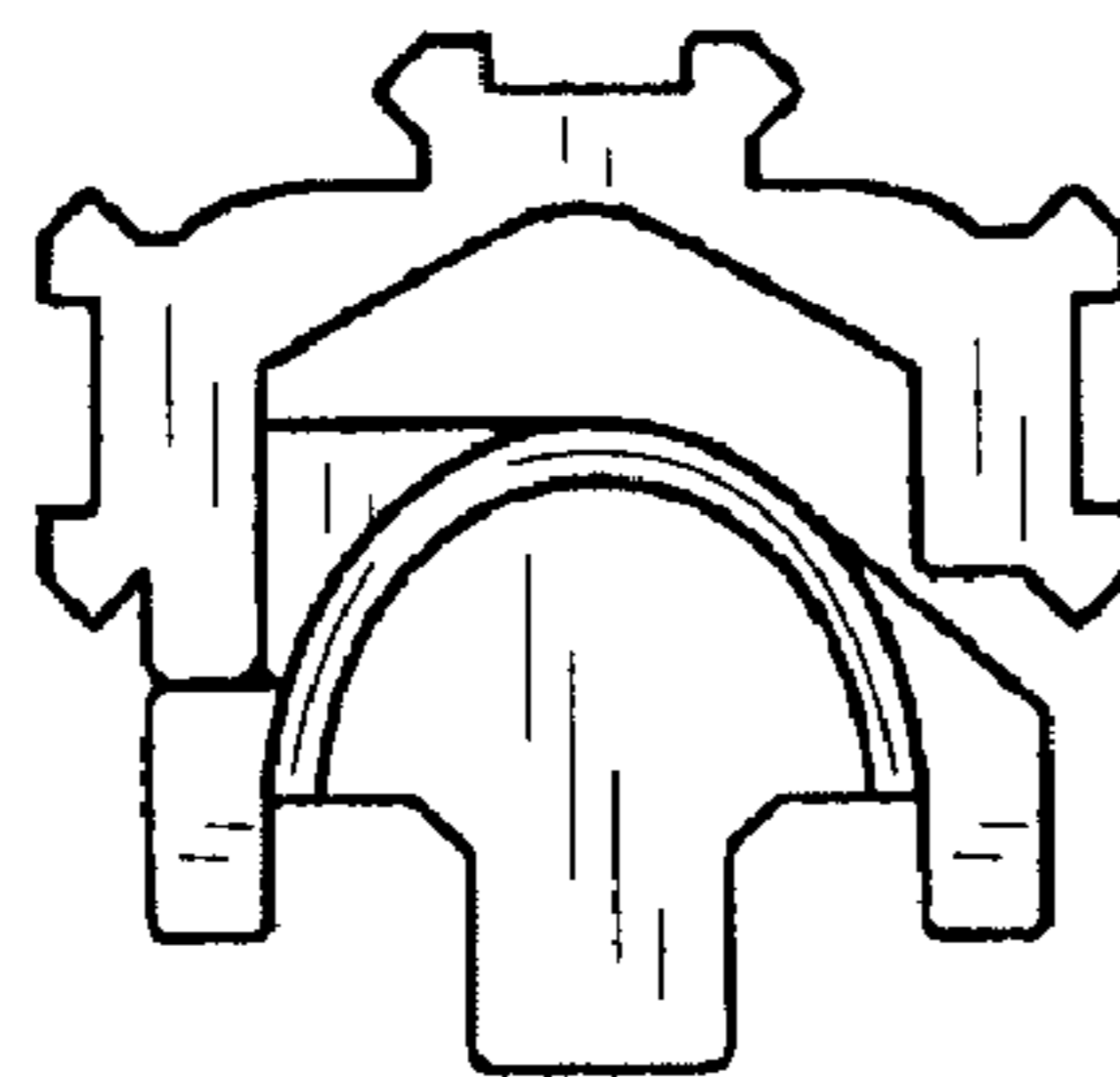
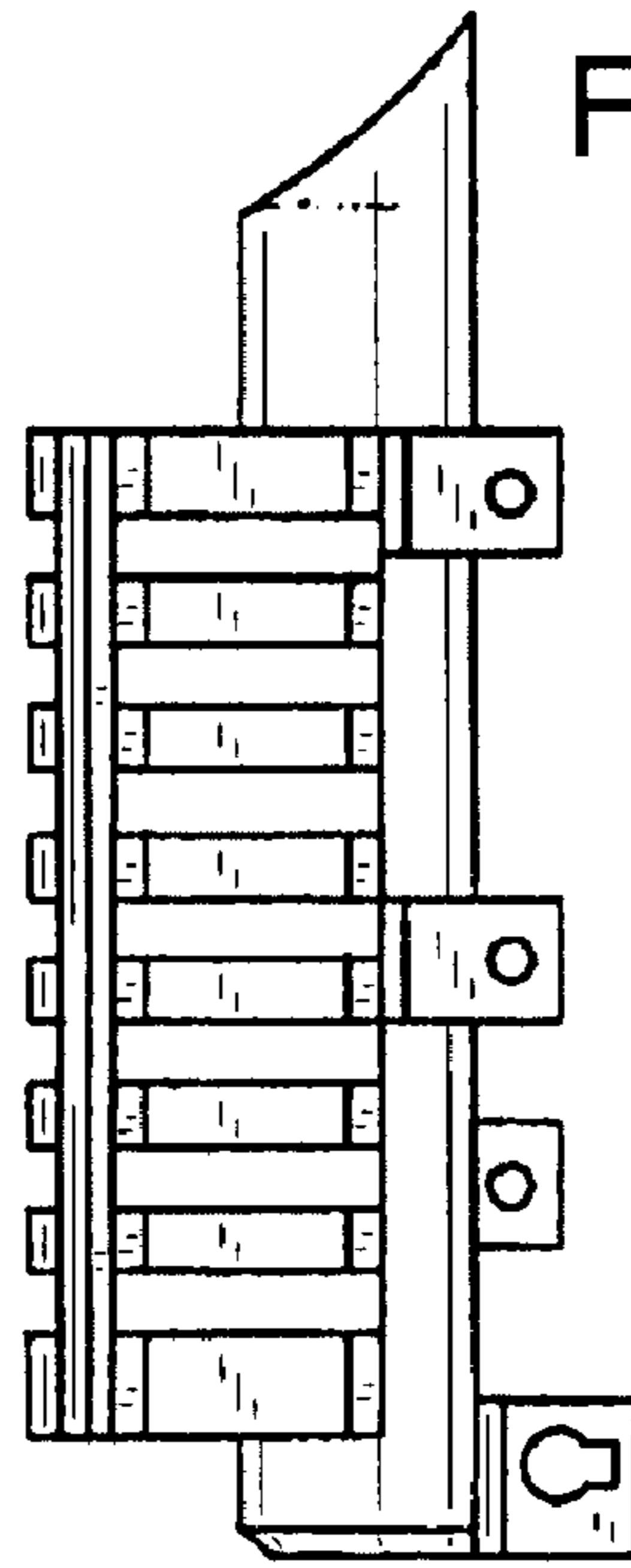


FIG 5

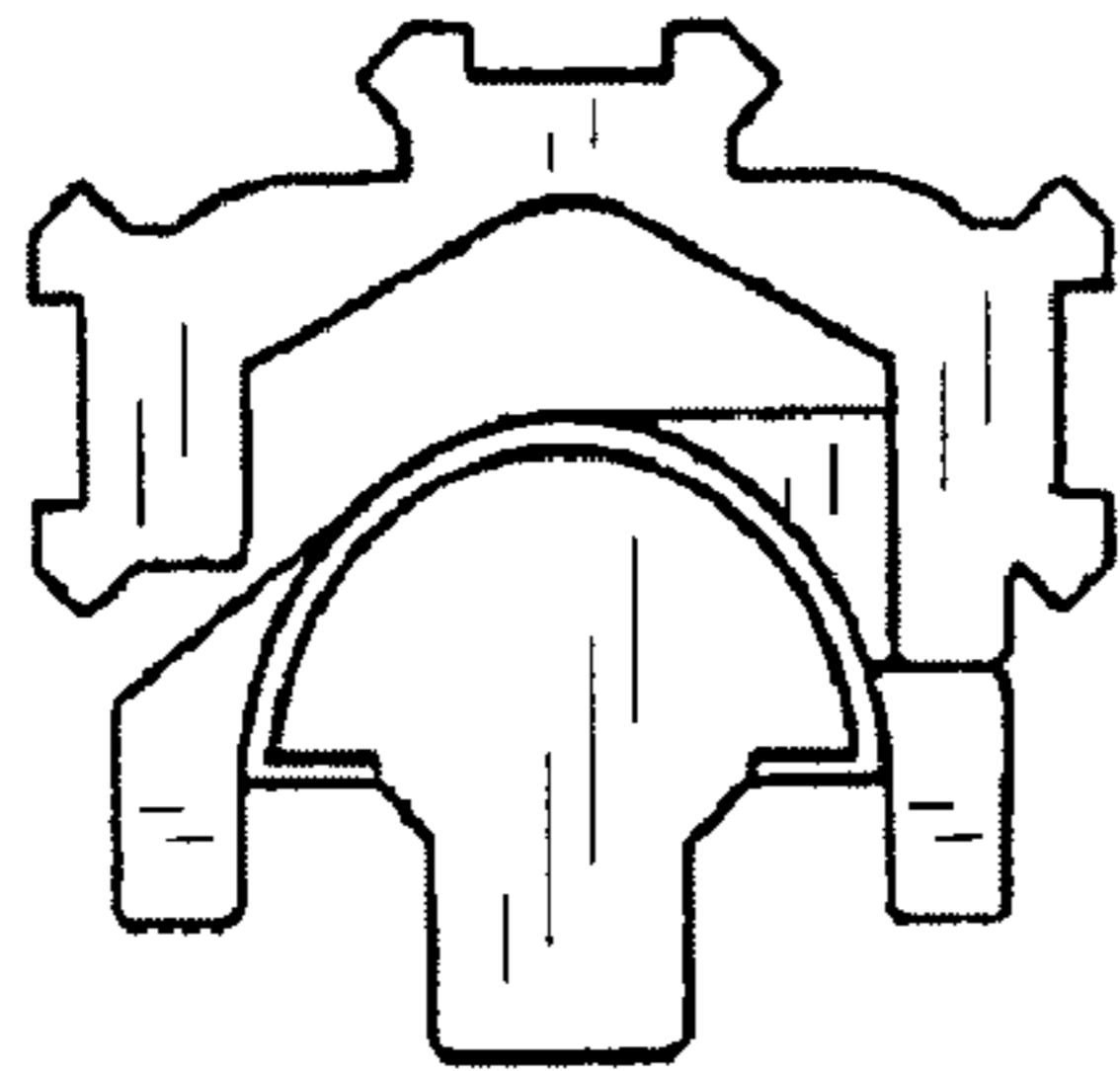


FIG 4

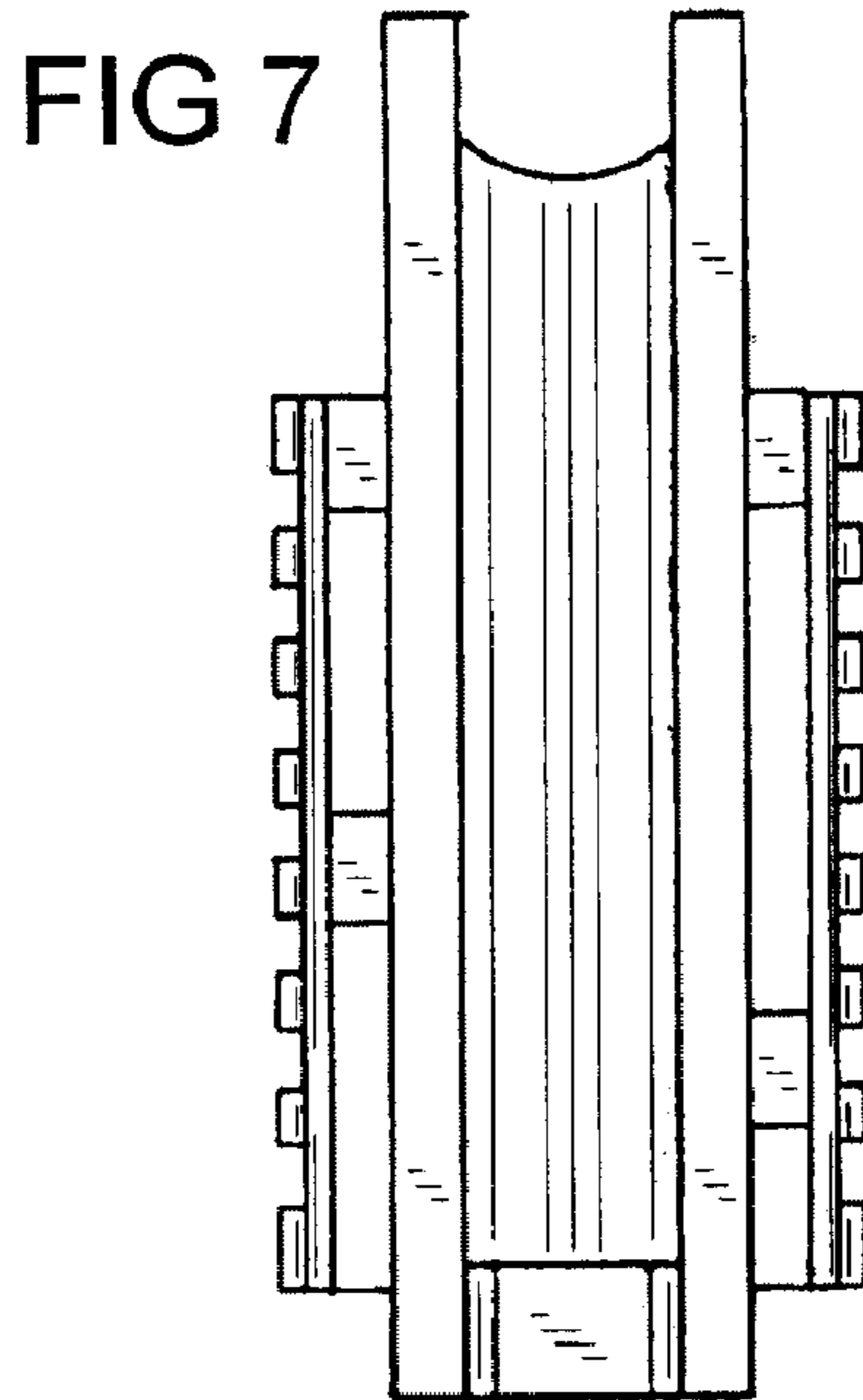


FIG 7

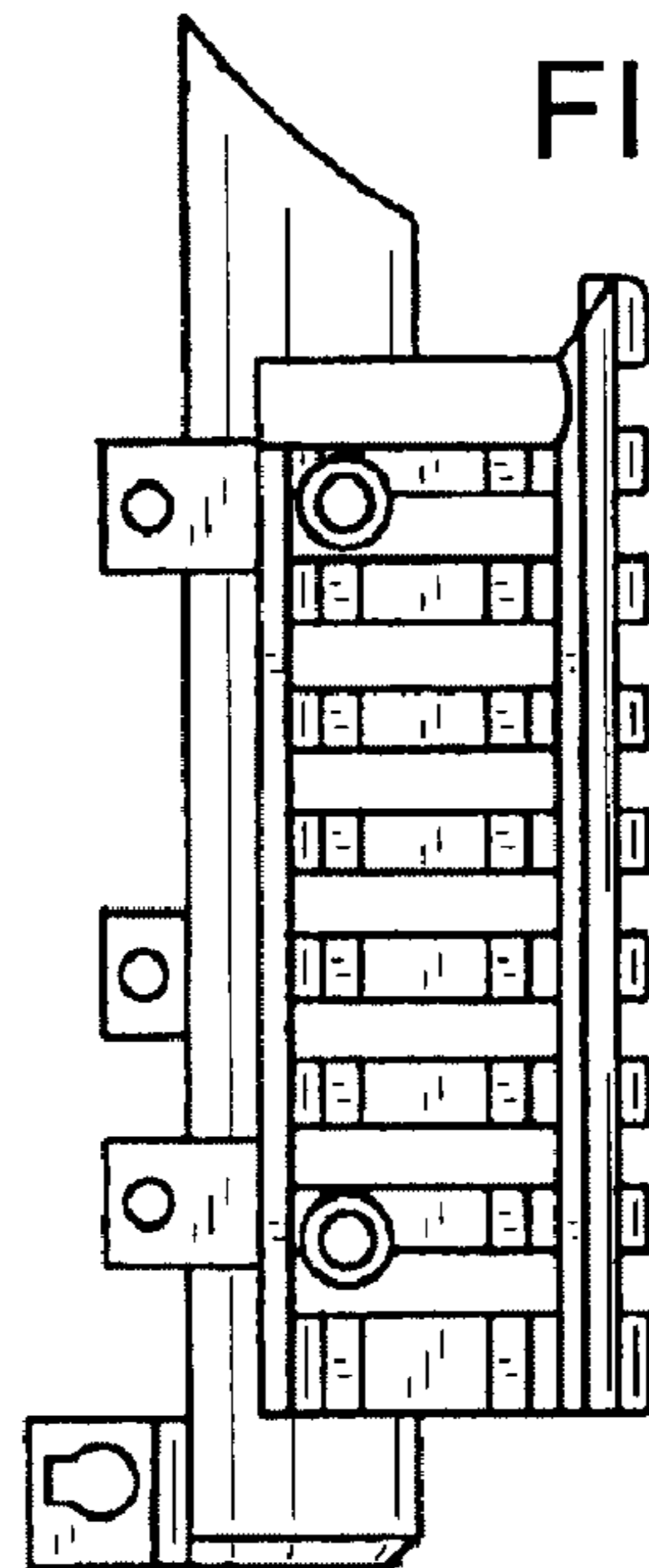


FIG 3

UNITED STATES PATENT AND TRADEMARK OFFICE
CERTIFICATE OF CORRECTION

PATENT NO. : Des. 513,633 S
DATED : January 17, 2006
INVENTOR(S) : Tai L. Ding

Page 1 of 1

It is certified that error appears in the above-identified patent and that said Letters Patent is hereby corrected as shown below:

Title page.

Item [57], **DESCRIPTION**,

Line 6, "FIG. 5" should read as follows:

-- FIG. 5 is a front end elevational view of FIG. 1; --.

Signed and Sealed this

Twenty-eighth Day of March, 2006

A handwritten signature in black ink on a light gray dotted background. The signature reads "Jon W. Dudas" in a cursive style.

JON W. DUDAS

Director of the United States Patent and Trademark Office