



US00D513631S

(12) **United States Design Patent**  
**Panatta**

(10) **Patent No.: US D513,631 S**  
(45) **Date of Patent: \*\* Jan. 17, 2006**

(54) **BODY-BUILDING MACHINE**

D481,428 S \* 10/2003 Giannelli et al. .... D21/675

(76) Inventor: **Rodolfo Panatta**, Via Madonna della Fonte, 2, Apiro (IT)

**OTHER PUBLICATIONS**

Gopher Catalog, Fall 2003, pp. 230 and 240, Power Source Selectorized Machines.\*

(\*\*) Term: **14 Years**

\* cited by examiner

(21) Appl. No.: **29/198,027**

*Primary Examiner*—Philip S. Hyder

(22) Filed: **Jan. 23, 2004**

(74) *Attorney, Agent, or Firm*—Armstrong, Kratz, Quintos, Hanson & Brooks, LLP

(51) **LOC (8) Cl.** ..... **21-02**

(52) **U.S. Cl.** ..... **D21/676**

(58) **Field of Classification Search** ..... D21/662,  
D21/673, 674, 675, 676; 482/93, 94, 95,  
482/97, 98, 99, 100, 101, 133, 134, 135,  
482/137, 138

(57) **CLAIM**

I claim the ornamental design for a body-building machine, as shown and described.

See application file for complete search history.

**DESCRIPTION**

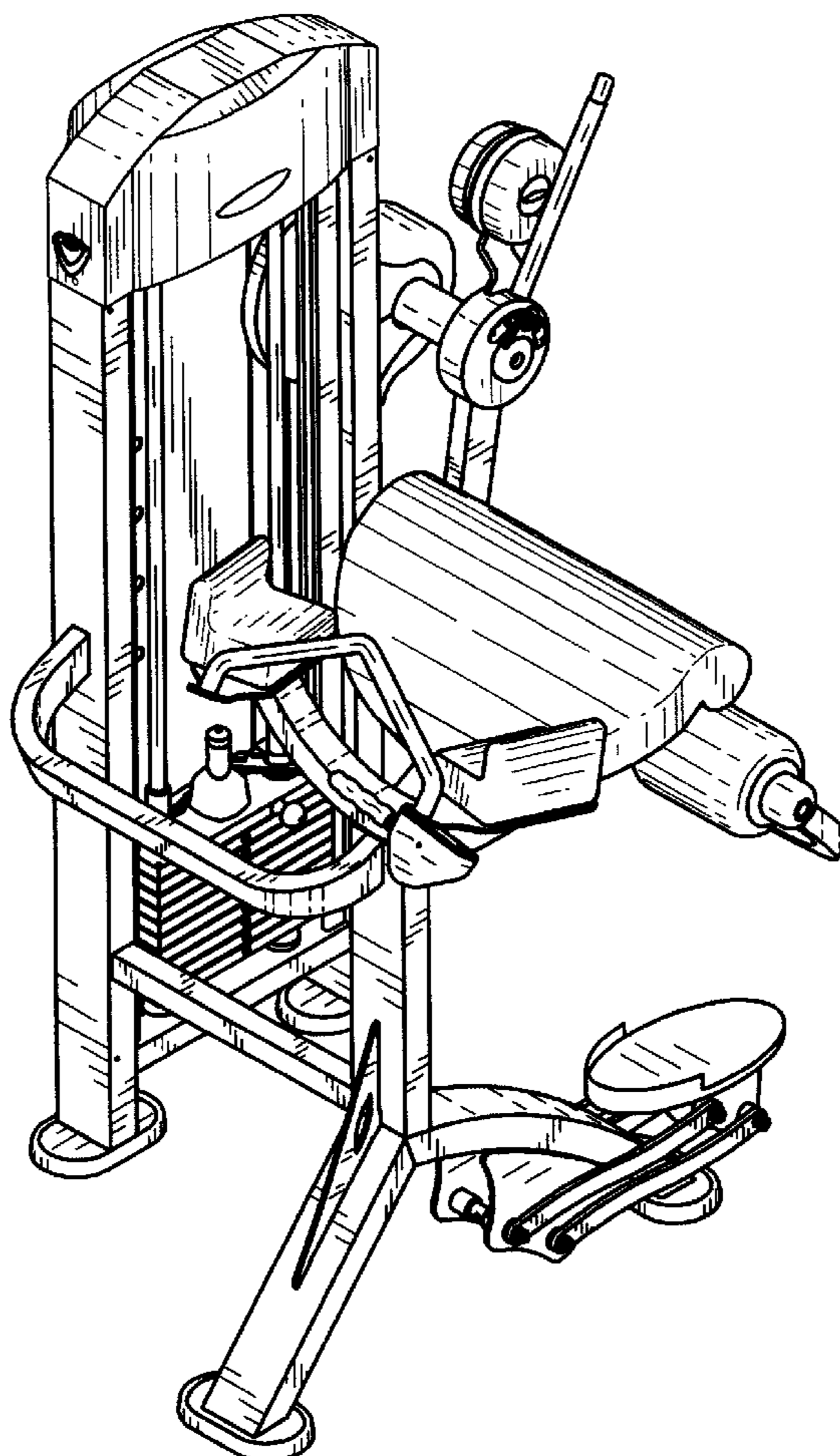
(56) **References Cited**

FIG. 1 is a front elevational view thereof.  
FIG. 2 is a right side elevational view thereof.  
FIG. 3 is a left side elevational view thereof.  
FIG. 4 is a top plan elevational view thereof.  
FIG. 5 is a bottom plan elevational view thereof.  
FIG. 6 is a rear elevational view thereof; and,  
FIG. 7 is a right perspective view of a body-building machine.

**U.S. PATENT DOCUMENTS**

4,621,807	A	*	11/1986	Stramer	.....	482/100
5,308,308	A	*	5/1994	Bauman	.....	493/199
5,354,252	A	*	10/1994	Habing	.....	482/100
5,685,810	A	*	11/1997	Chung	.....	482/100
6,059,701	A	*	5/2000	George et al.	.....	482/137
D446,831	S	*	8/2001	Webber et al.	.....	D21/662

**1 Claim, 7 Drawing Sheets**



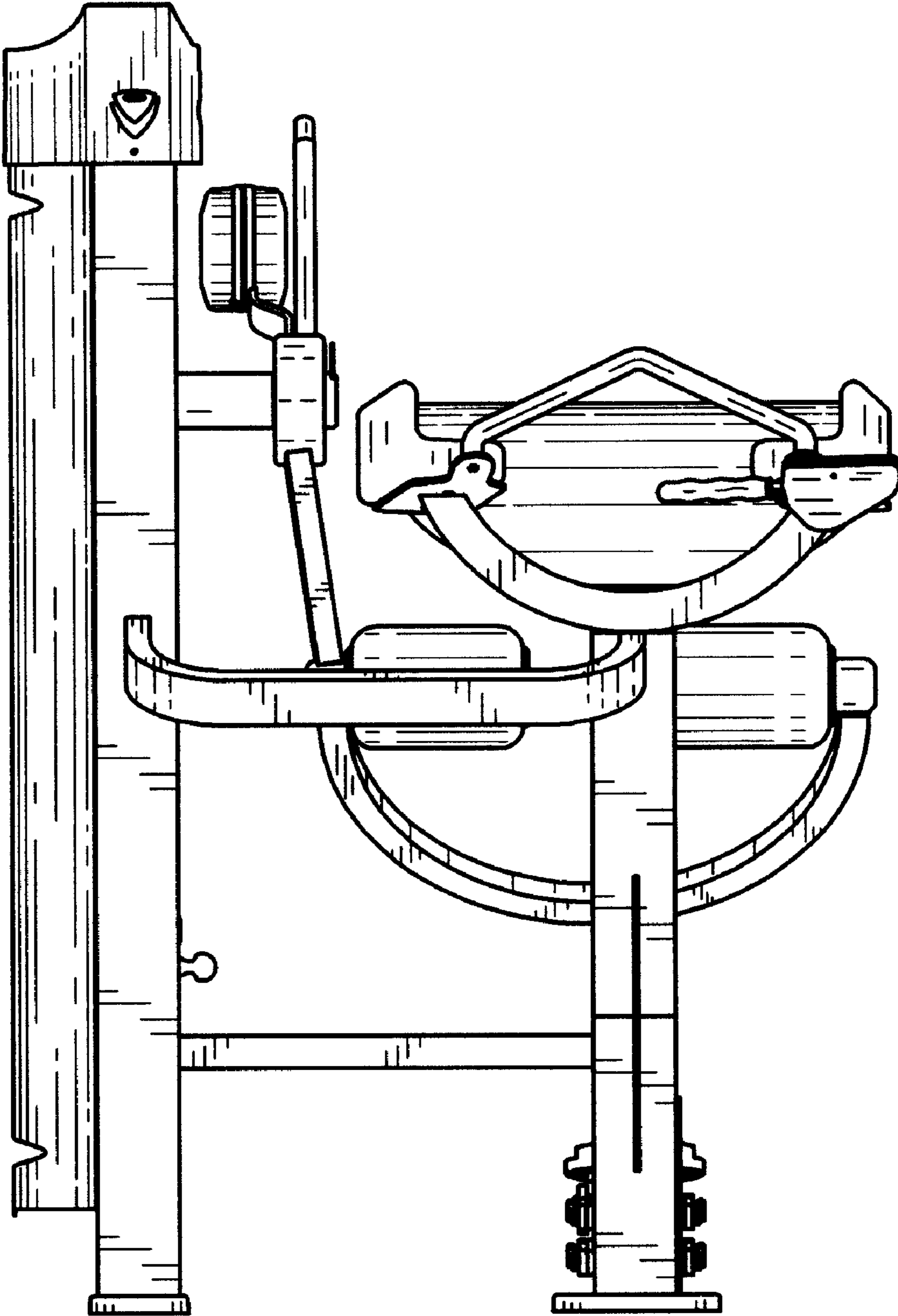


FIG. 1

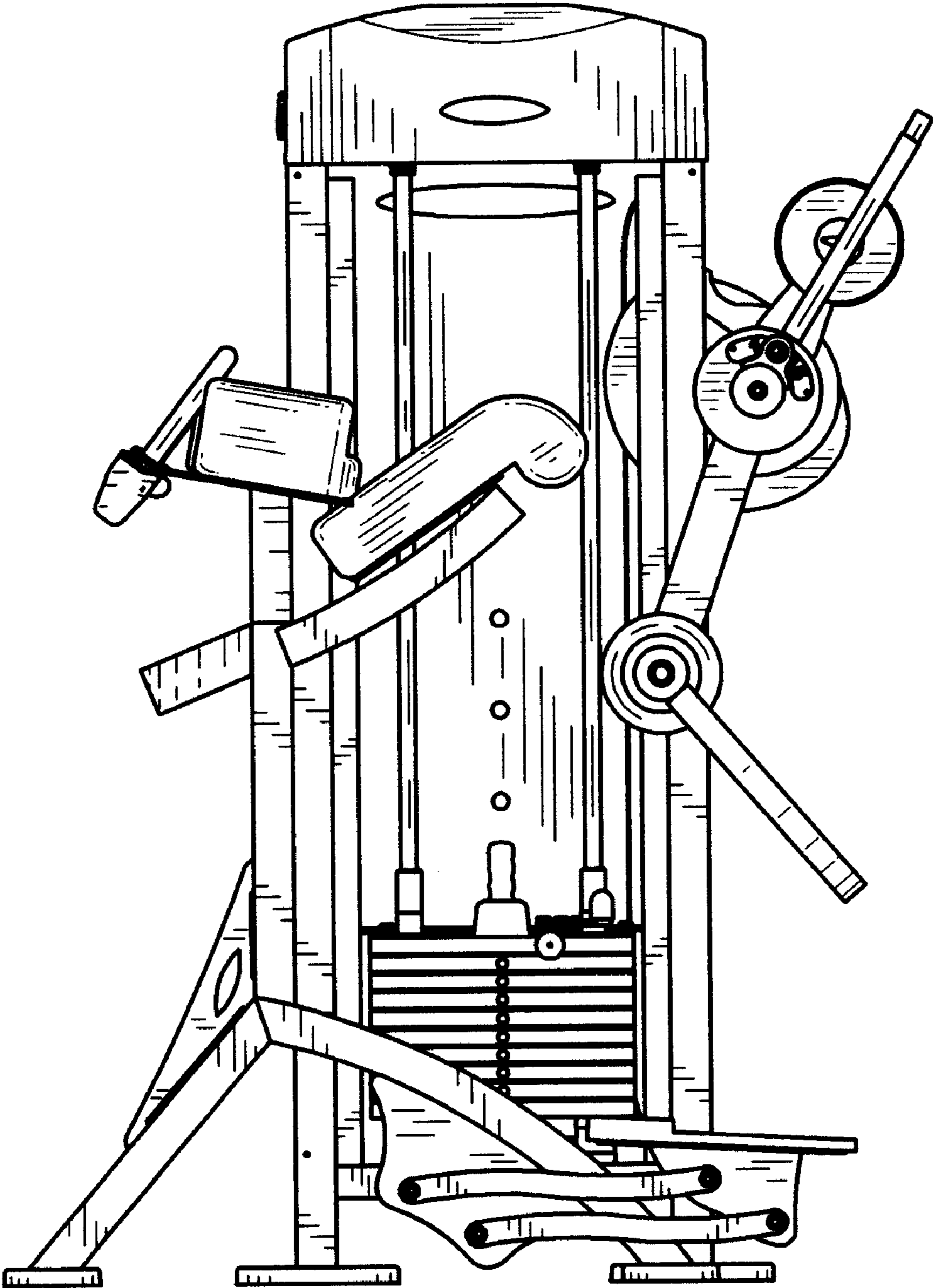


FIG. 2

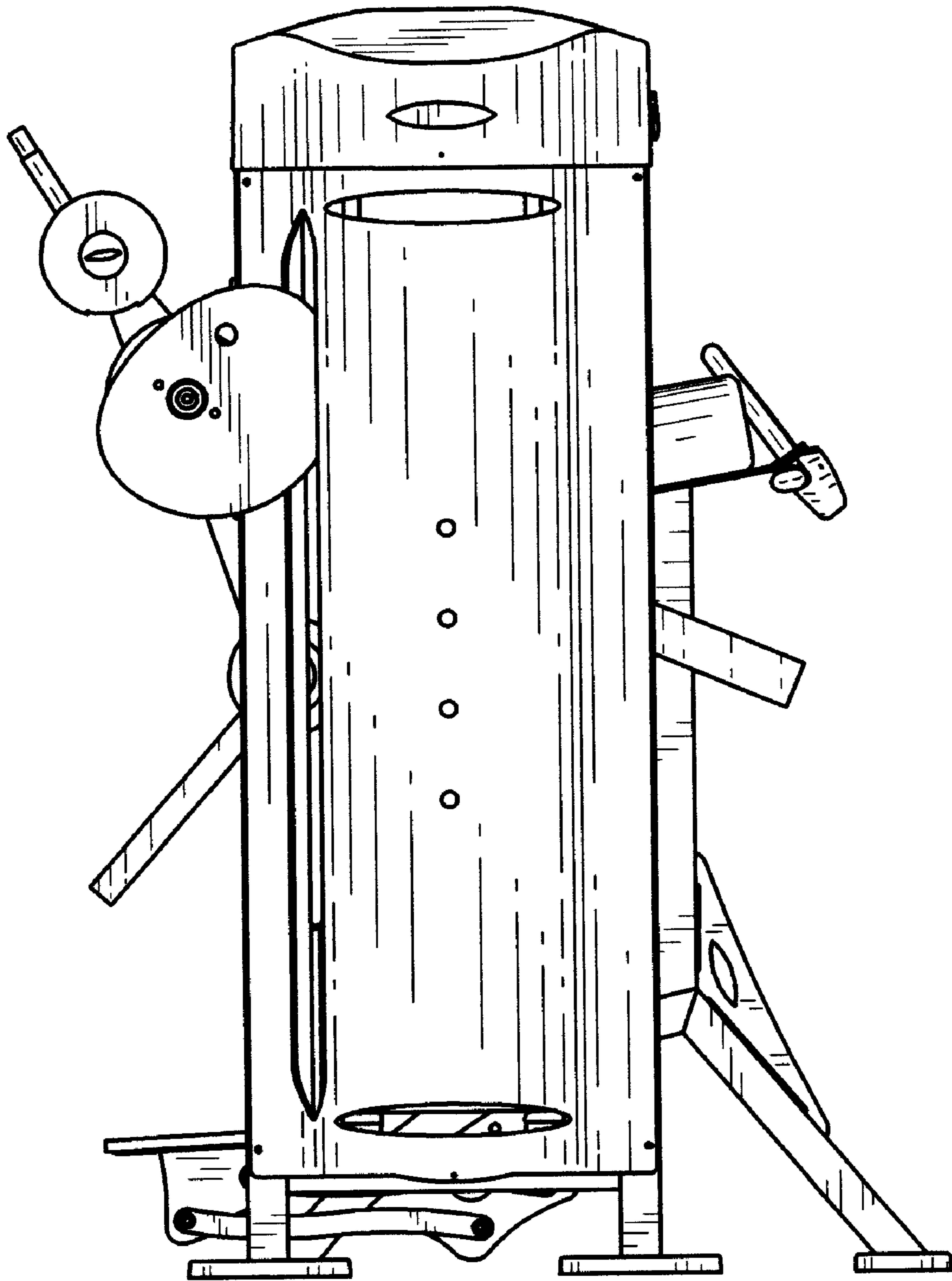


FIG. 3

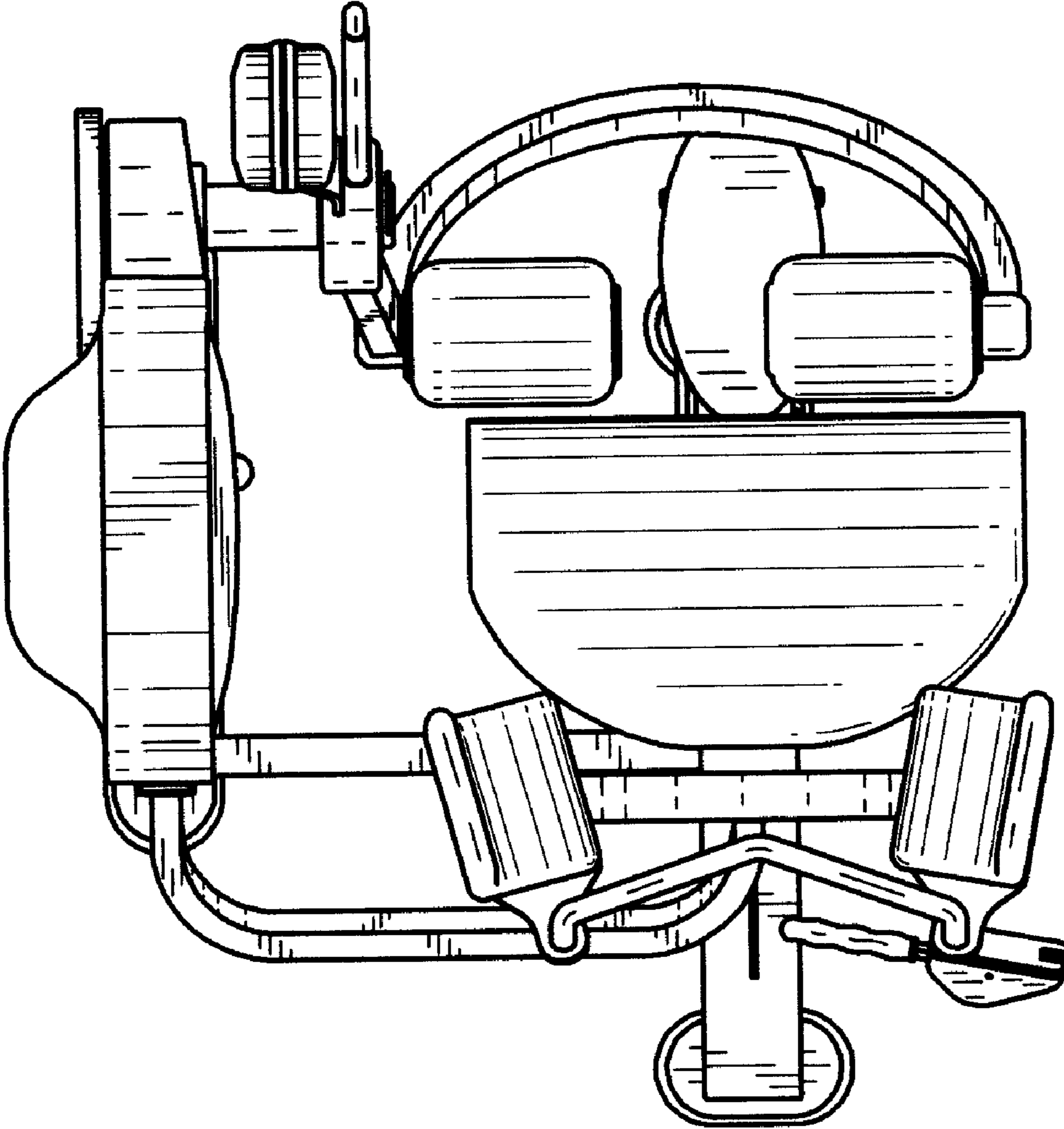


FIG. 4



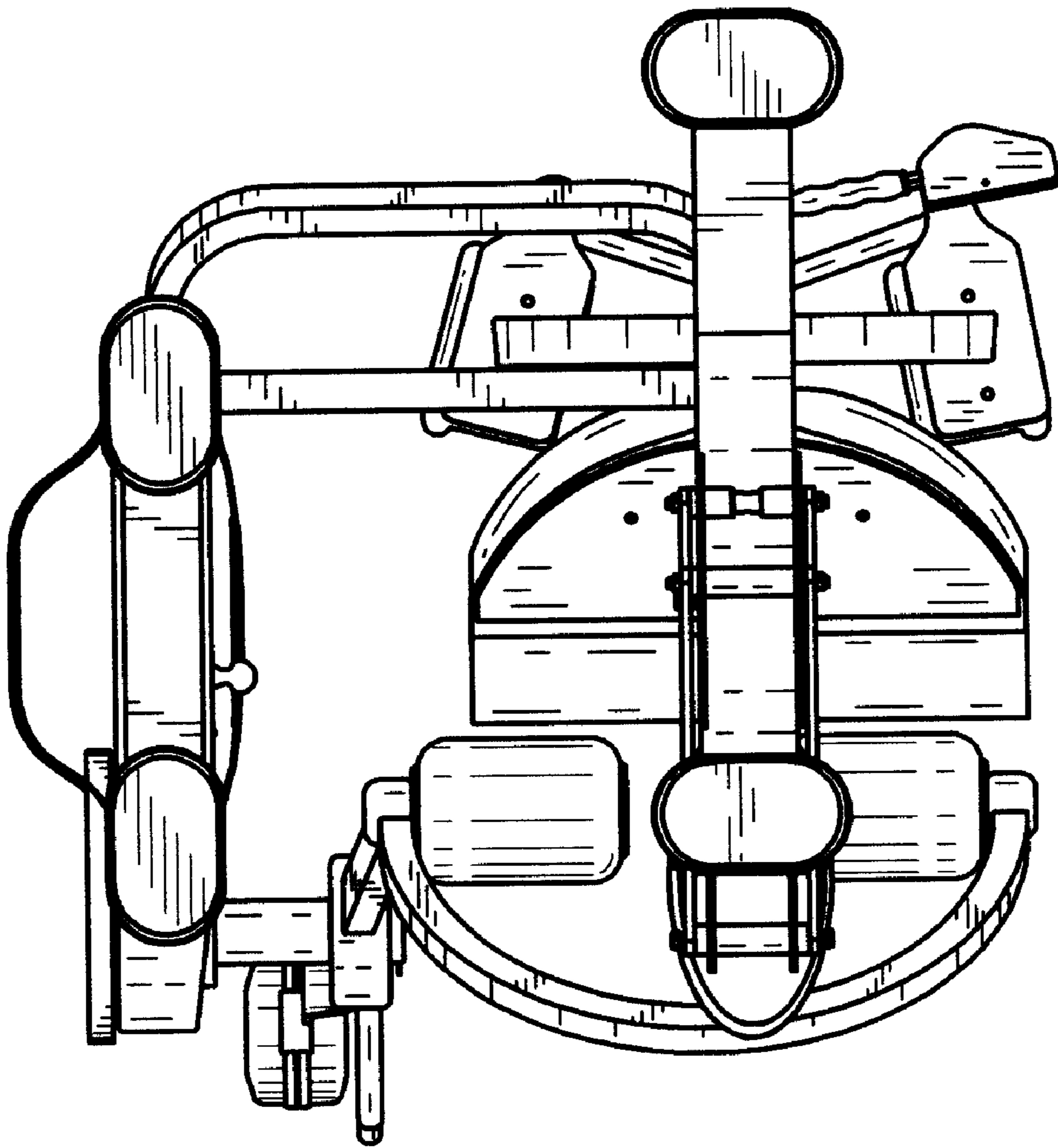


FIG. 5

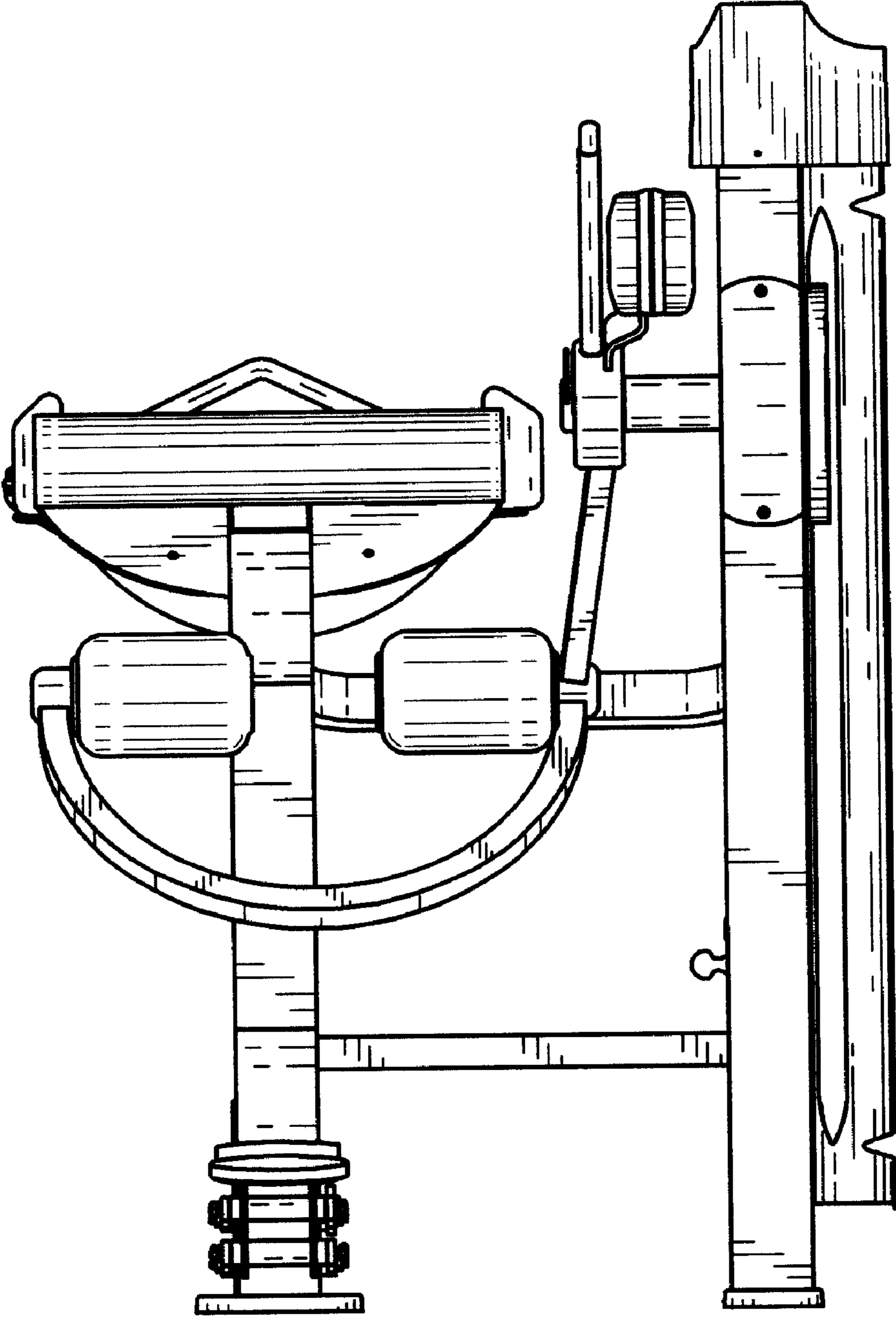


FIG. 6

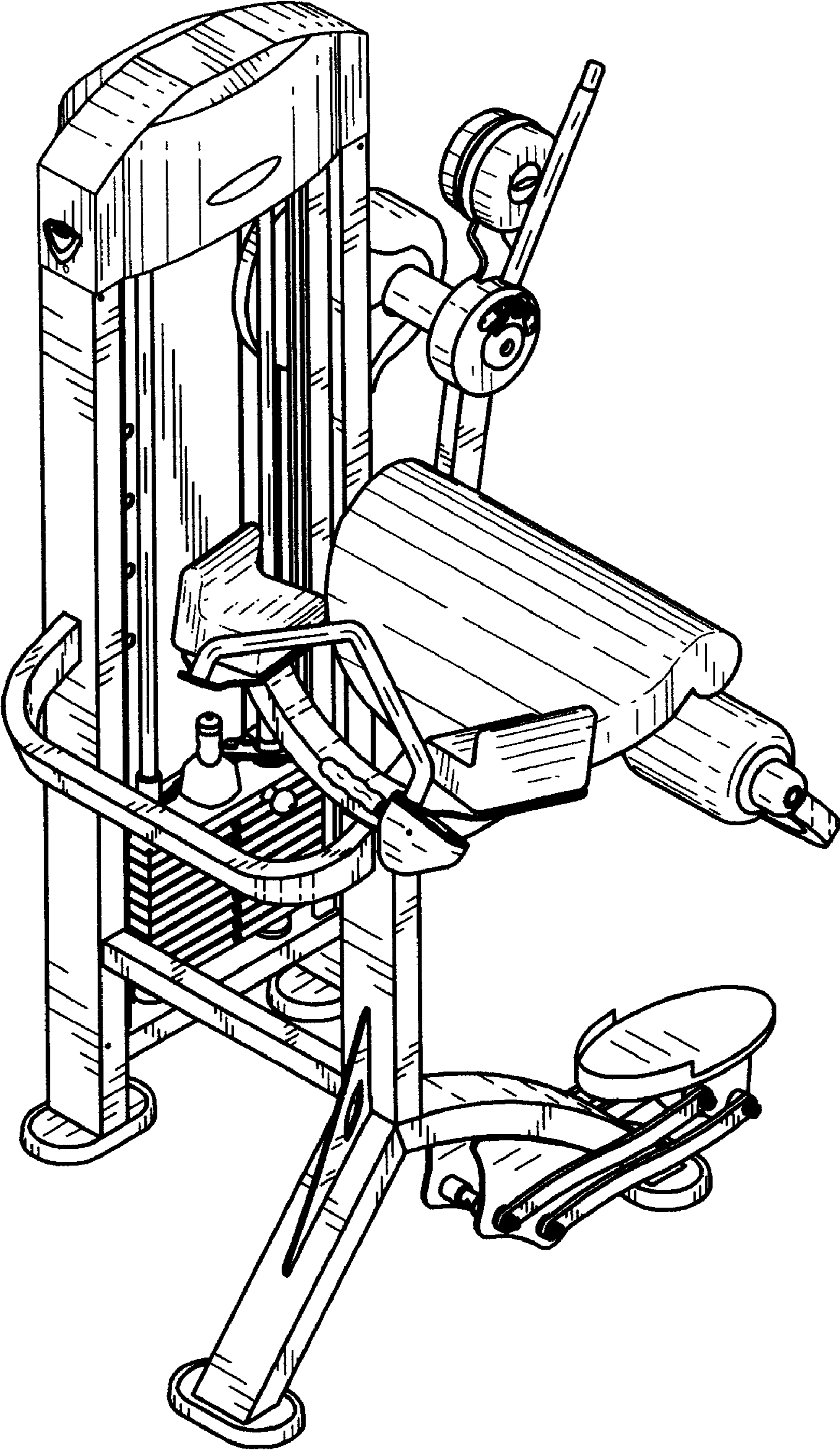


FIG. 7