



US00D513624S

(12) **United States Design Patent**
Johannesson et al.

(10) **Patent No.: US D513,624 S**
(45) **Date of Patent: ** Jan. 17, 2006**

(54) **DOCUMENT PROCESSING DEVICE**

(75) Inventors: **Glen Johannesson, Waterloo (CA); Jeff Dayman, Waterloo (CA)**

(73) Assignee: **RDM Corporation, Waterloo (CA)**

(**) Term: **14 Years**

(21) Appl. No.: **29/199,594**

(22) Filed: **Feb. 19, 2004**

Related U.S. Application Data

(63) Continuation-in-part of application No. 29/168,822, filed on Oct. 10, 2002, now Pat. No. Des. 487,478.

(51) **LOC (8) Cl. 18-99**

(52) **U.S. Cl. D18/46; D18/5; D18/54; D18/54.1**

(58) **Field of Classification Search D18/1, D18/2, 3.1, 4.1-6, 46, 50, 51, 54, 54.1; D14/302, D14/341, 346, 383-387; 235/2-7 R, 379, 235/380, 412.01, 58 CW; 705/16, 17; 194/205-212**
See application file for complete search history.

(56) **References Cited**

U.S. PATENT DOCUMENTS

- 4,442,769 A 4/1984 Kallin
- 5,061,100 A 10/1991 Brouwer et al.
- D323,526 S * 1/1992 Kobayashi D18/54
- 5,274,567 A 12/1993 Kallin et al.

- D409,650 S * 5/1999 Hanna et al. D18/4.6
- 6,354,491 B2 3/2002 Nichols et al.
- 6,354,700 B1 3/2002 Roth
- 6,356,281 B1 3/2002 Isenman
- 6,361,043 B1 3/2002 Hutchison
- D487,478 S * 3/2004 Johannesson et al. D18/4.6

* cited by examiner

Primary Examiner—Caron D. Veynar

(57) **CLAIM**

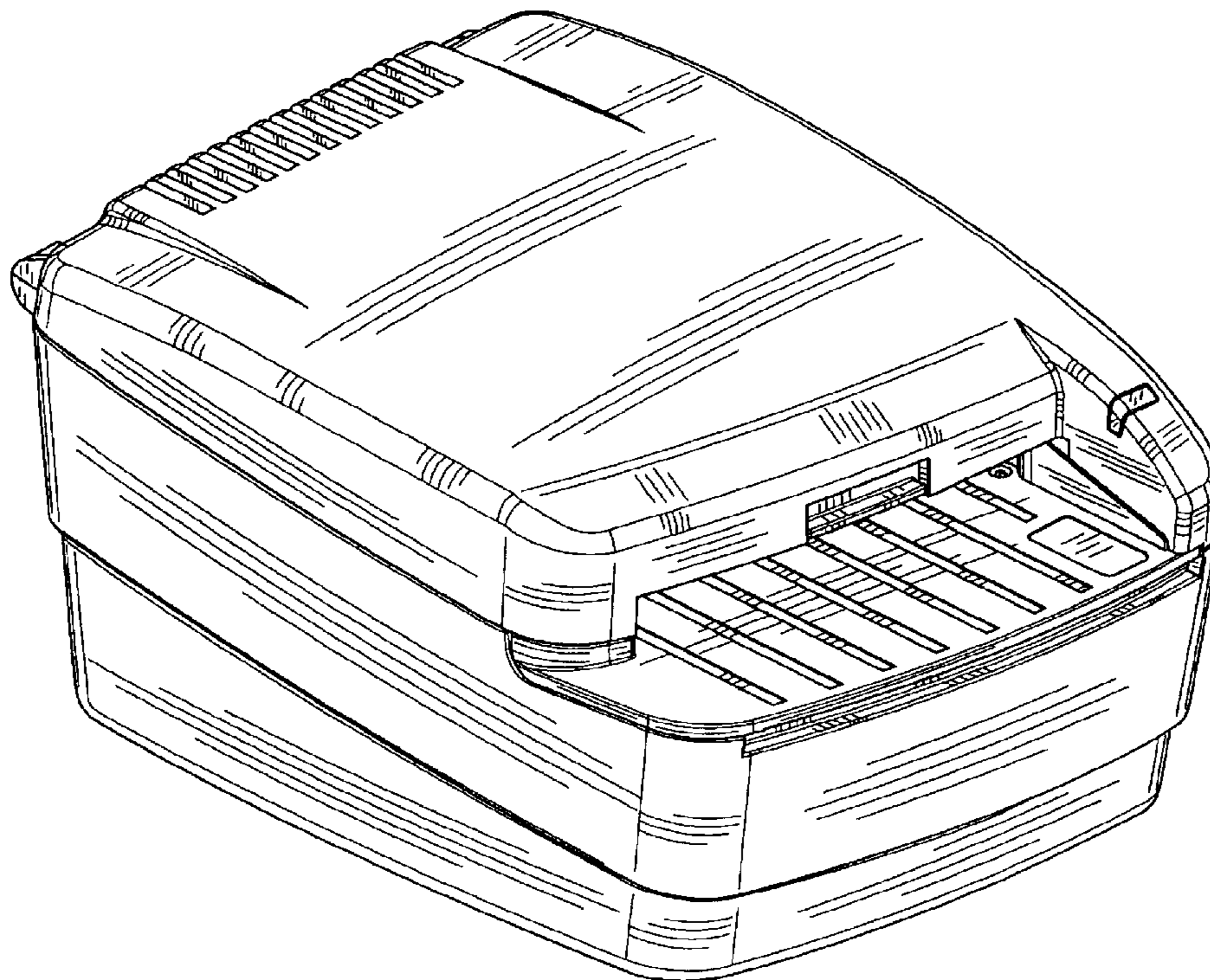
The ornamental design for a document processing device, as shown and described.

DESCRIPTION

FIG. 1 is a perspective view of the front and left side of the document processing device showing our new design;
 FIG. 2 is a perspective view of the front and right side thereof;
 FIG. 3 is a left side view thereof;
 FIG. 4 is a front view thereof;
 FIG. 5 is a right side view thereof;
 FIG. 6 is a back view thereof;
 FIG. 7 is a top view thereof;
 FIG. 8 is a bottom view thereof; and,
 FIG. 9 is a perspective view of the front and left side thereof showing a document in chain-dotted outline positioned in the document processing device.

The broken lines showing of environment are for illustrative purposes only and form no part of the claimed design.

1 Claim, 6 Drawing Sheets



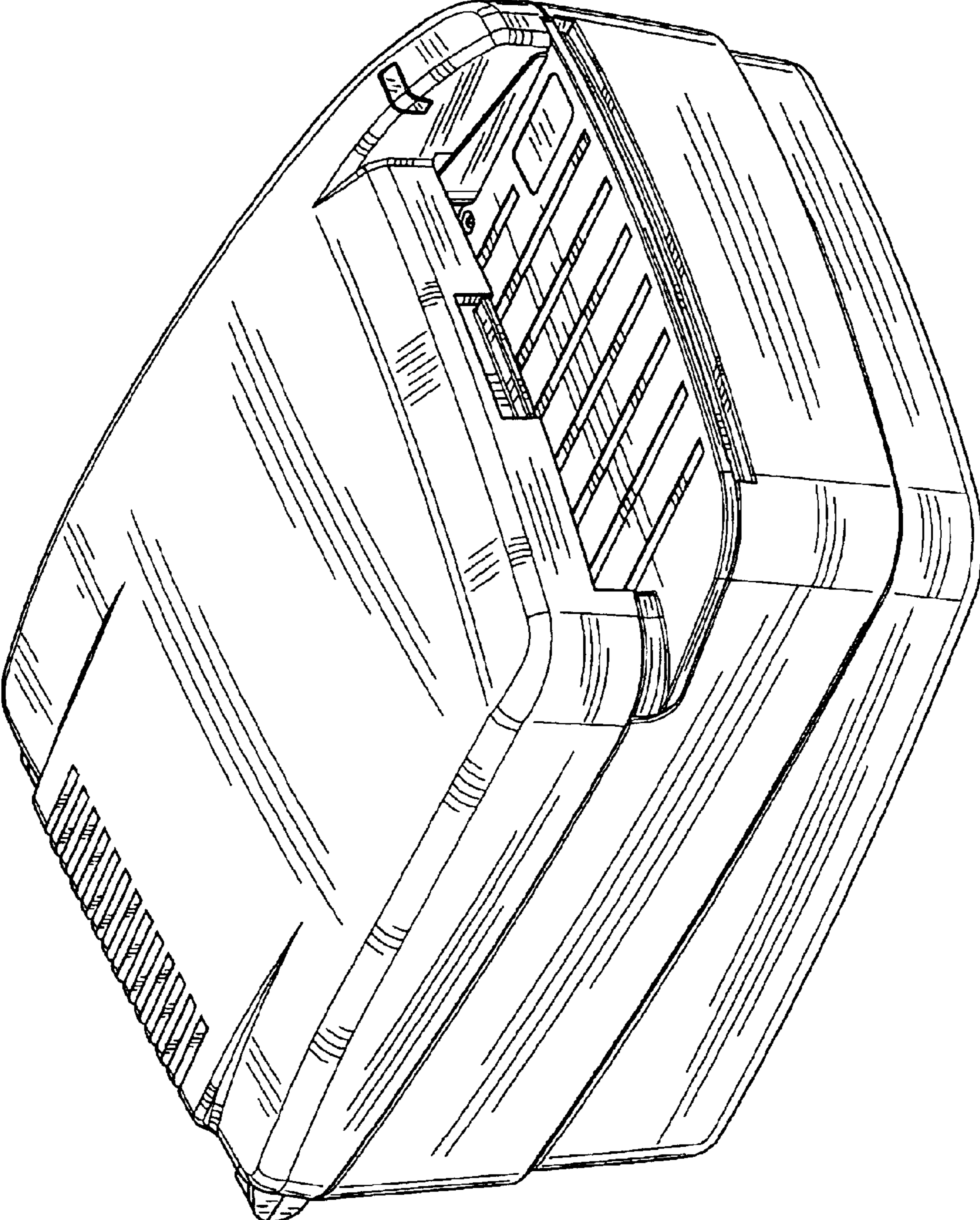


FIG. 1

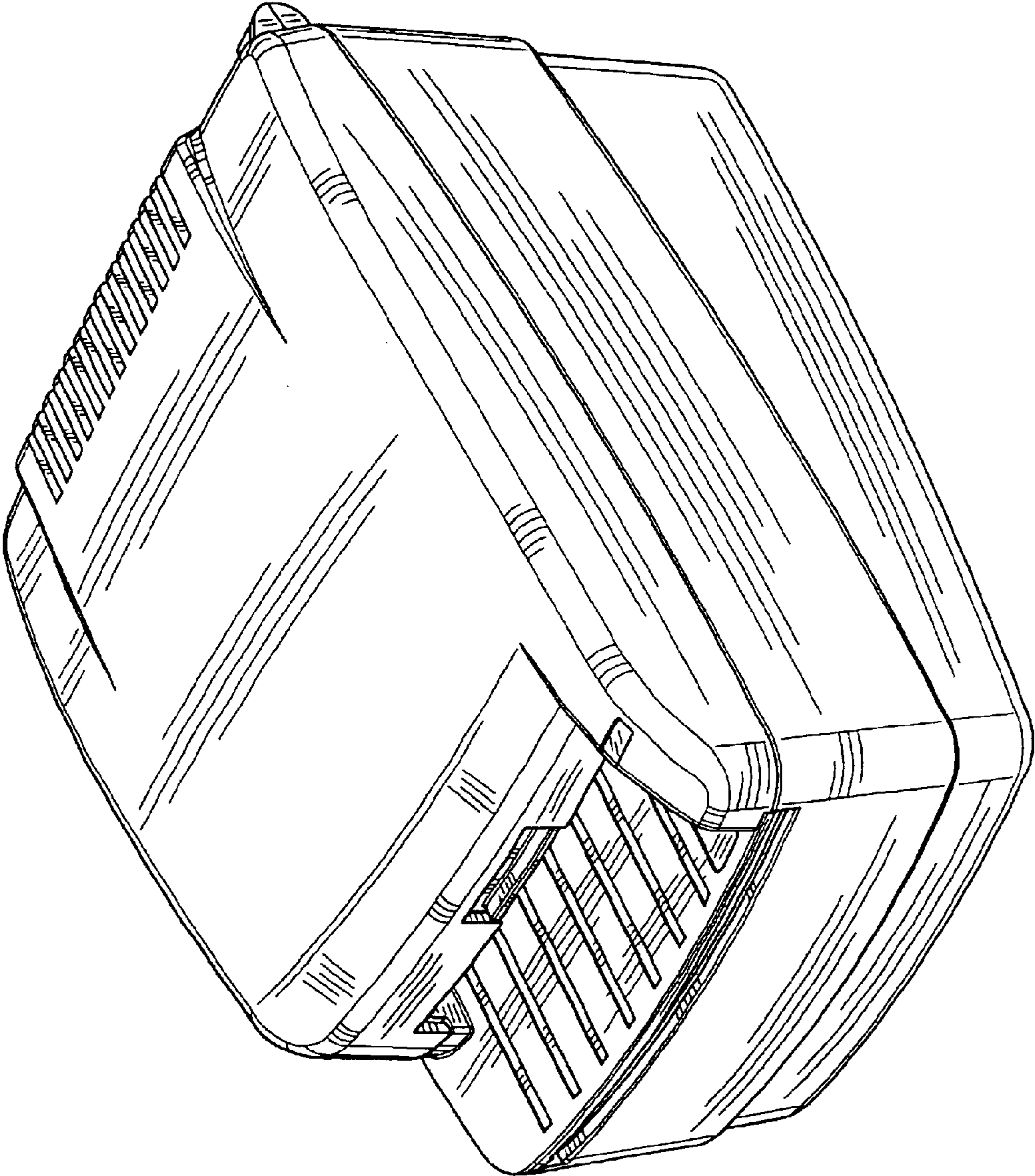


FIG. 2

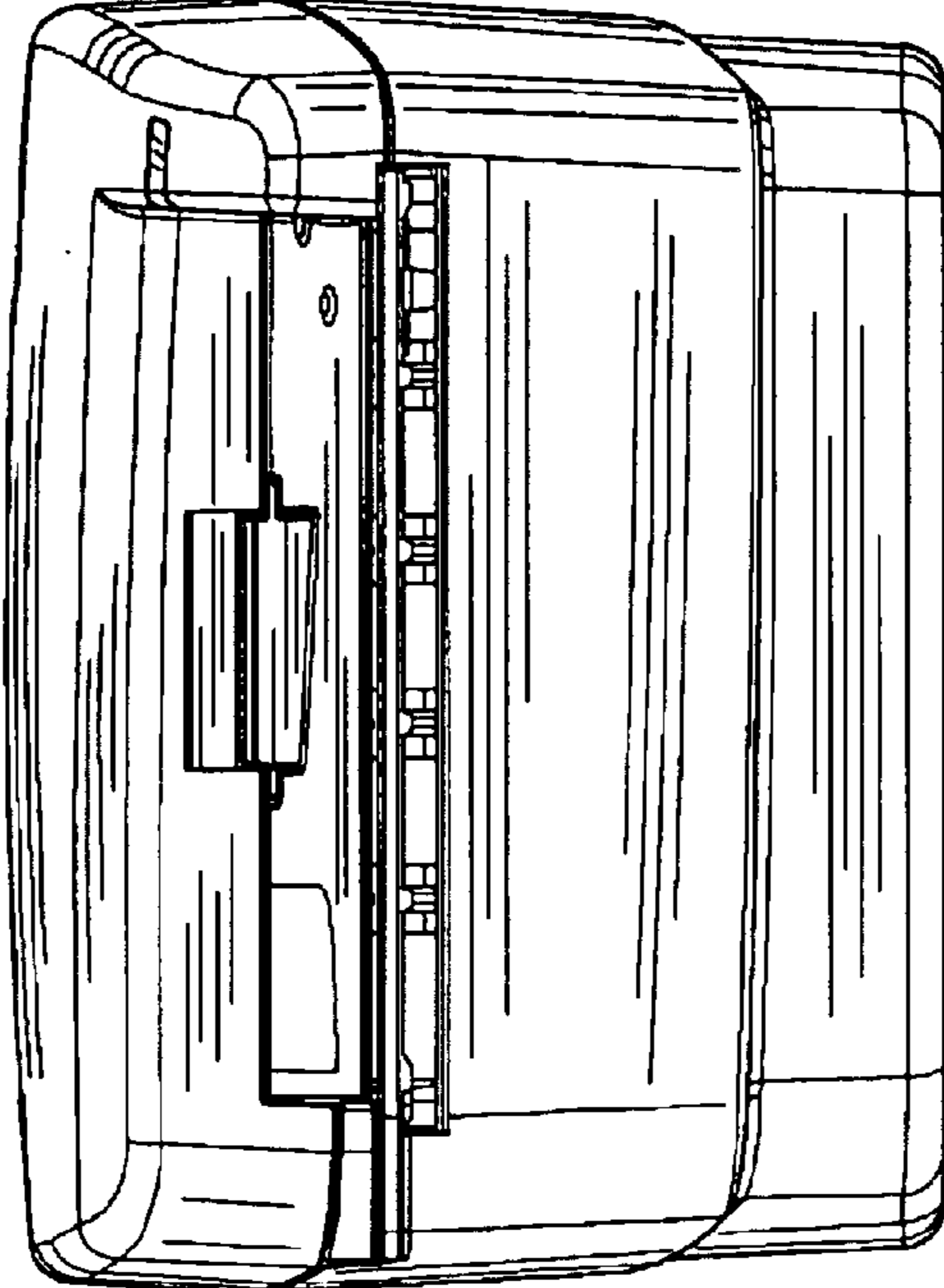


FIG. 4



FIG. 3

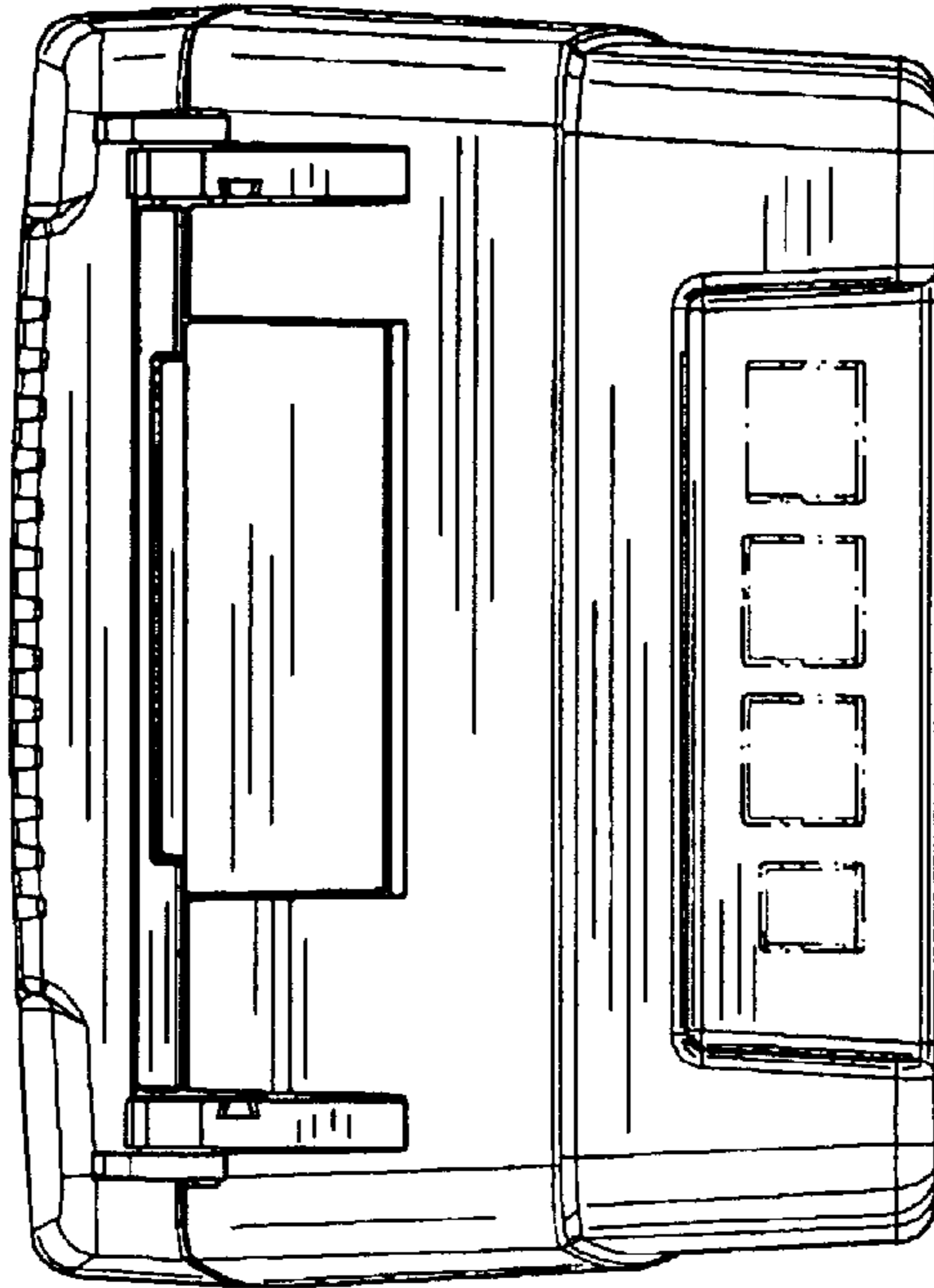


FIG. 6



FIG. 5

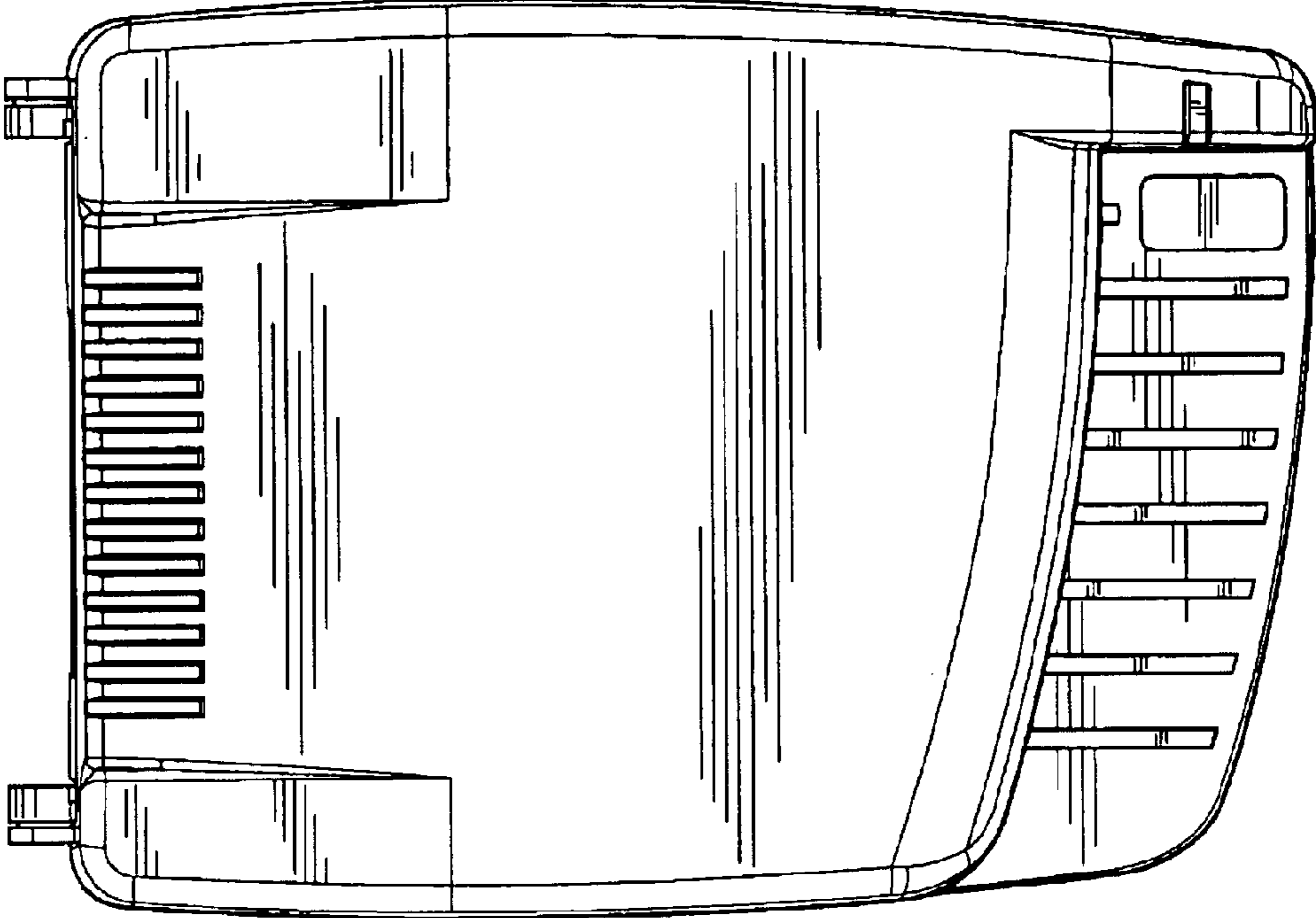


FIG. 7

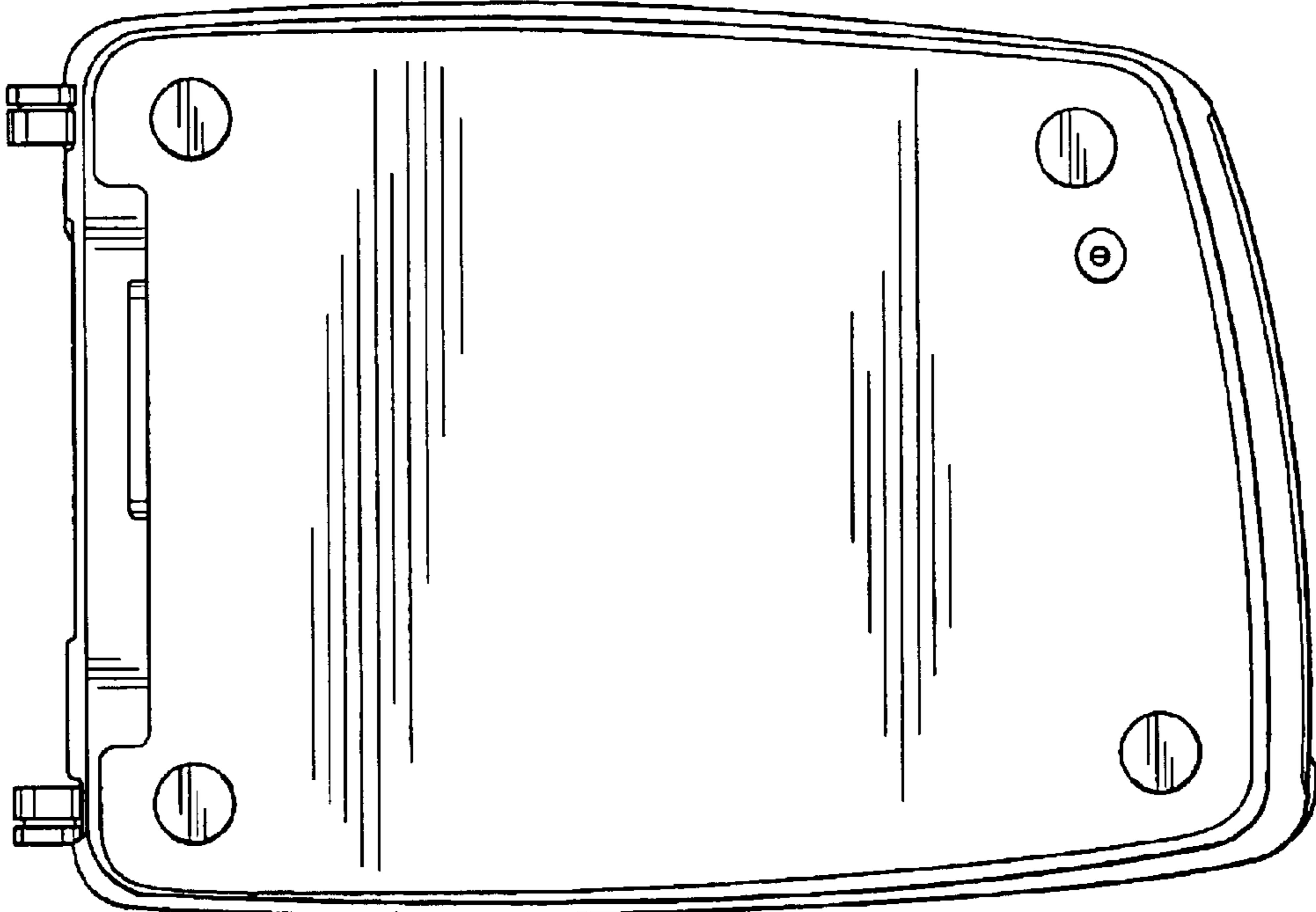


FIG. 8

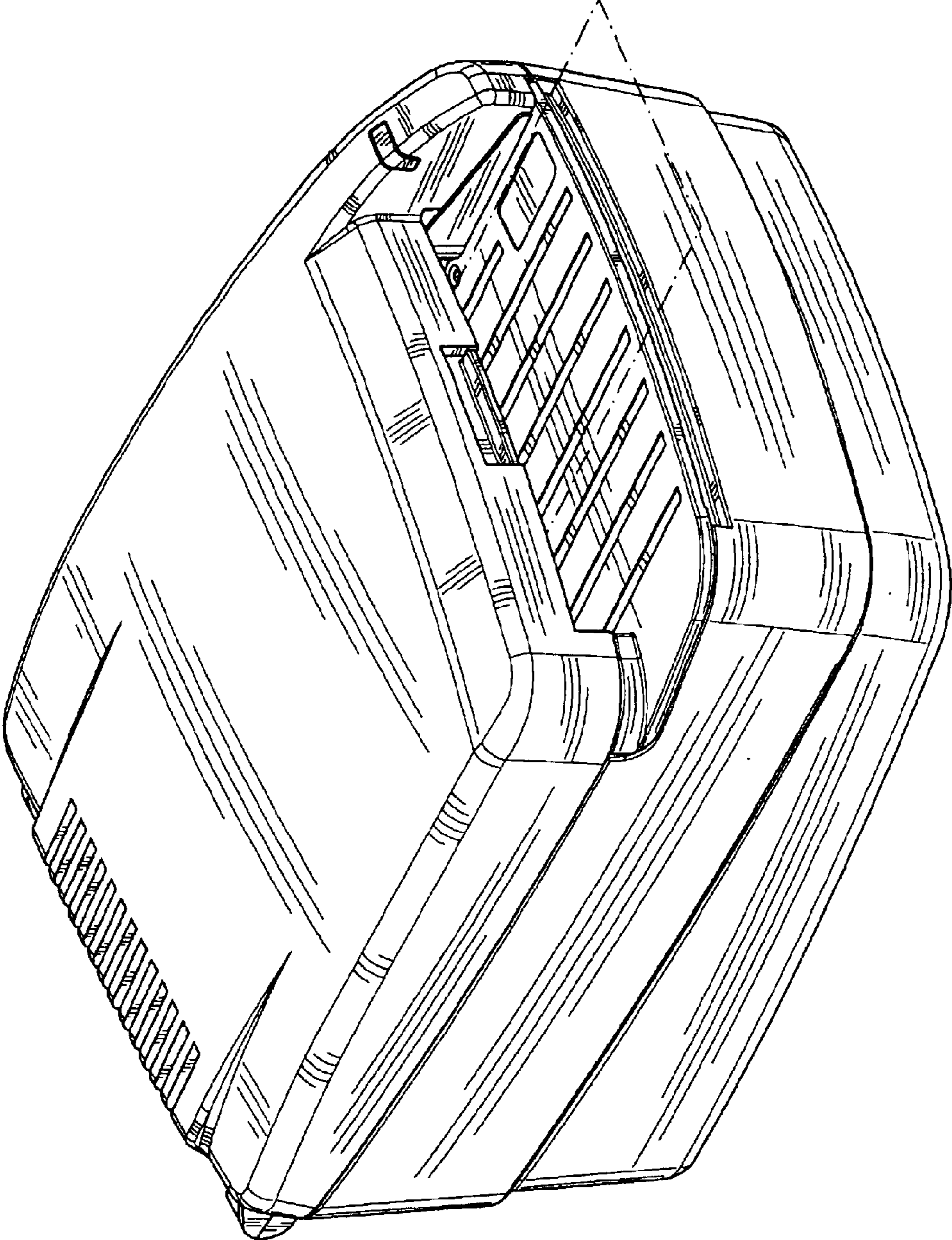


FIG. 9