

US00D513622S

(12) **United States Design Patent**
Kao

(10) **Patent No.: US D513,622 S**
(45) **Date of Patent: ** Jan. 17, 2006**

(54) **COIN COUNTER**

(75) Inventor: **Li-Hui Kao, Yonghe (TW)**

(73) Assignees: **Origo Klebe Technik Co., Taipei (TW); Scan Coin International AB, Malmo (SE)**

(**) Term: **14 Years**

(21) Appl. No.: **29/218,991**

(22) Filed: **Dec. 13, 2004**

(51) **LOC (8) Cl. 18-01**

(52) **U.S. Cl. D18/3.1**

(58) **Field of Classification Search** D18/3.1,
D18/12.1, 12.2, 12.3; D99/34-37; 194/317,
194/334; 221/92; 232/4 R; 453/2, 3, 4, 9,
453/12, 13, 14, 15, 17, 30, 32, 34, 41, 44,
453/31, 56-58, 61; 53/212, 501

See application file for complete search history.

(56) **References Cited**

U.S. PATENT DOCUMENTS

D233,694 S * 11/1974 Tamura et al. D18/3.1

D274,337 S * 6/1984 Austin et al. D18/3.1
D359,152 S * 6/1995 Adams et al. D18/3.1
D460,102 S * 7/2002 Perkitny D18/3.1
D505,693 S * 5/2005 Kurosawa D18/3.1

* cited by examiner

Primary Examiner—Paula A. Greene

(74) *Attorney, Agent, or Firm*—Troxell Law Office, PLLC

(57) **CLAIM**

The ornamental design for a coin counter, as shown and described.

DESCRIPTION

FIG. 1 is a perspective view of a coin counter showing our design;

FIG. 2 is a front elevational view thereof;

FIG. 3 is a rear elevational view thereof;

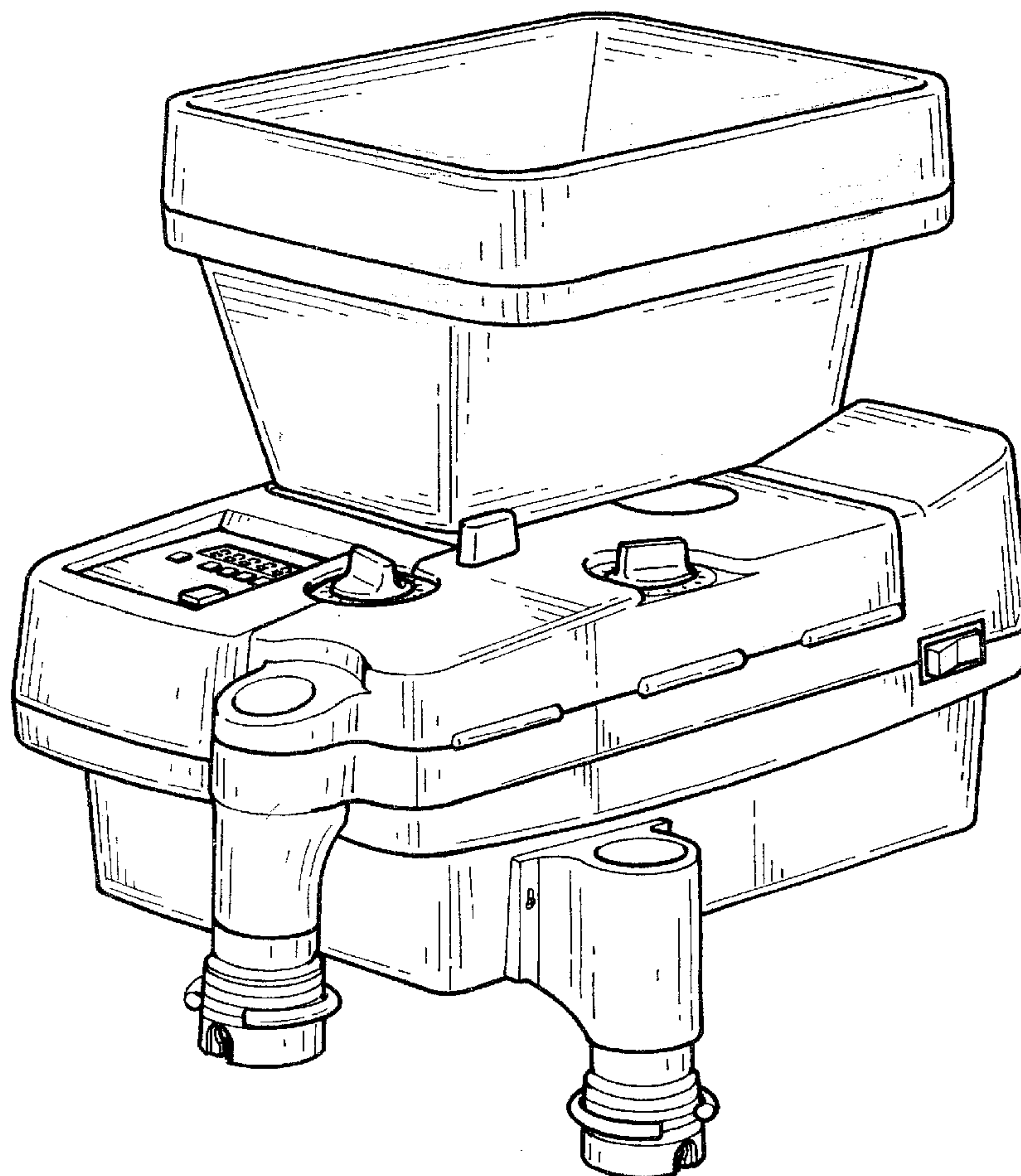
FIG. 4 is a left side elevational view thereof;

FIG. 5 is a right side elevational view thereof;

FIG. 6 is a top plan view thereof; and,

FIG. 7 is a bottom plan view thereof.

1 Claim, 7 Drawing Sheets



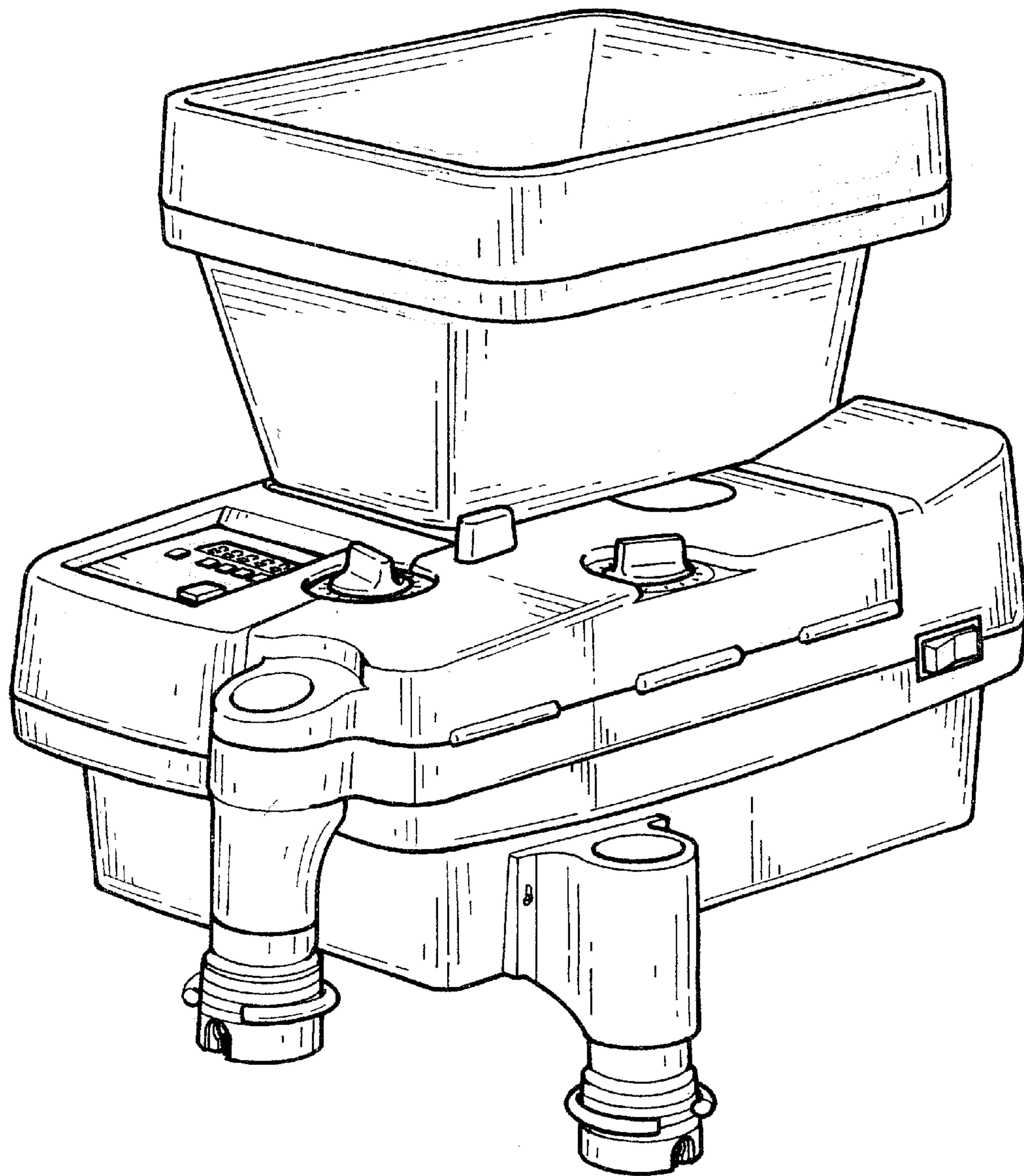


FIG. 1

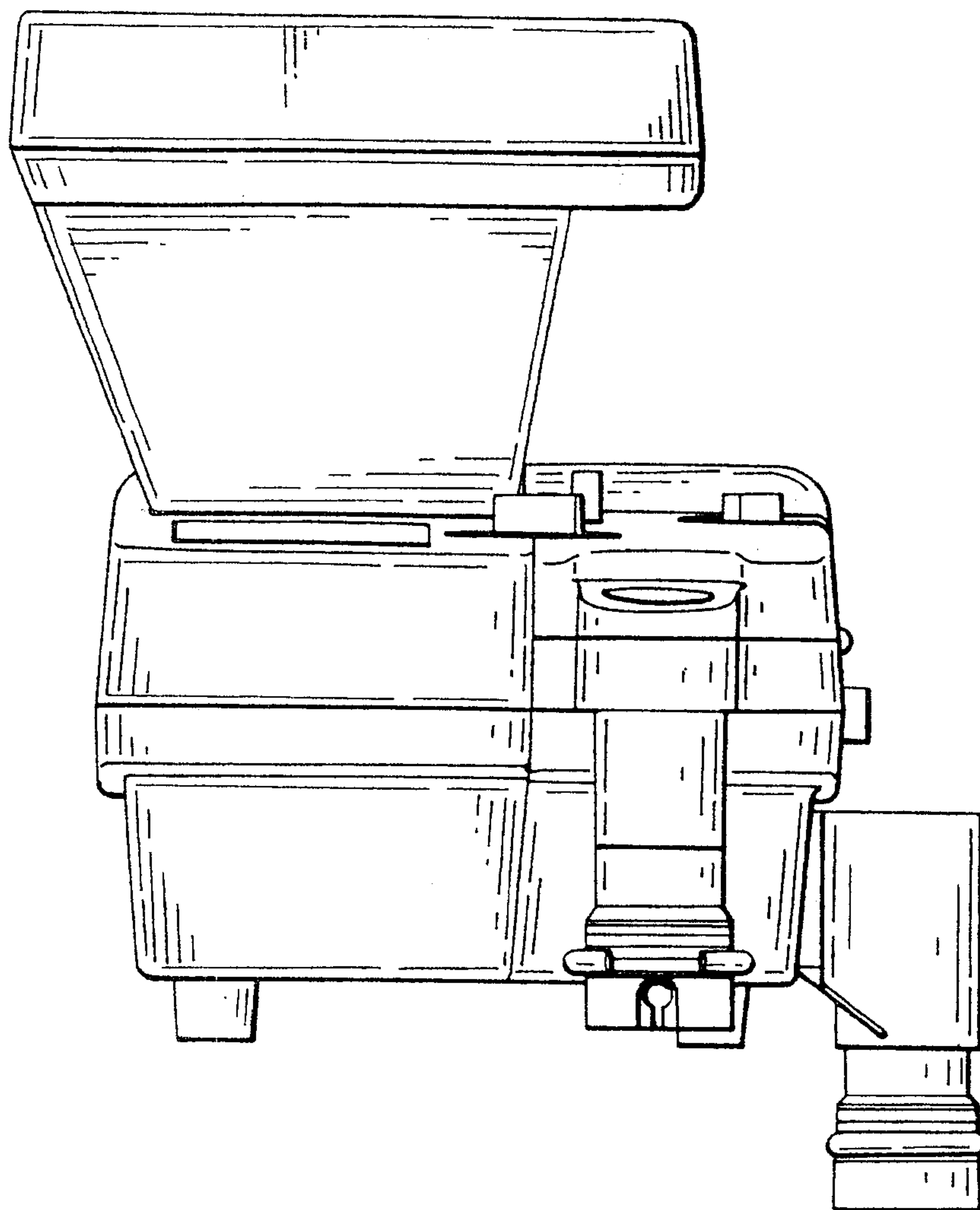


FIG. 2

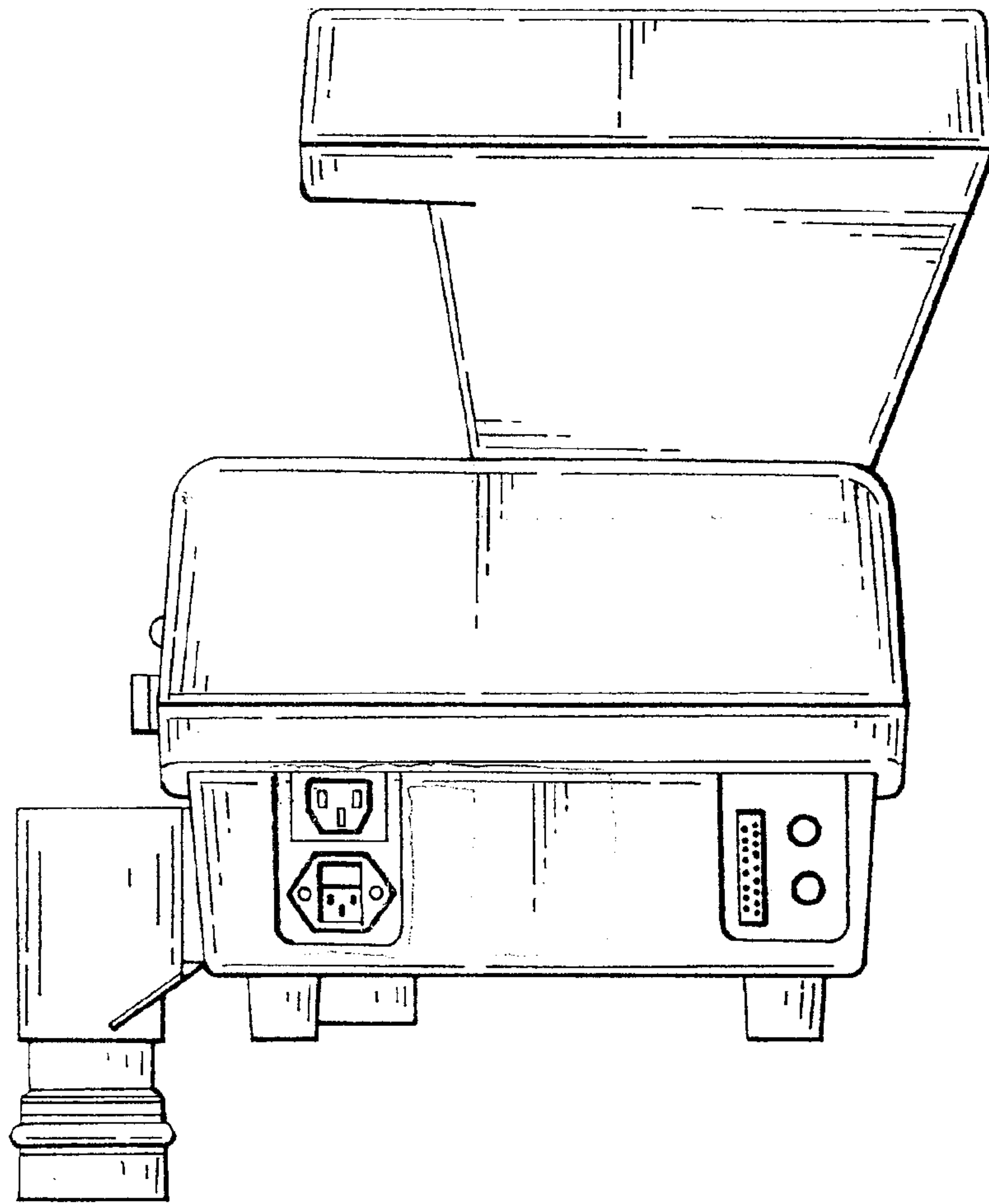


FIG. 3

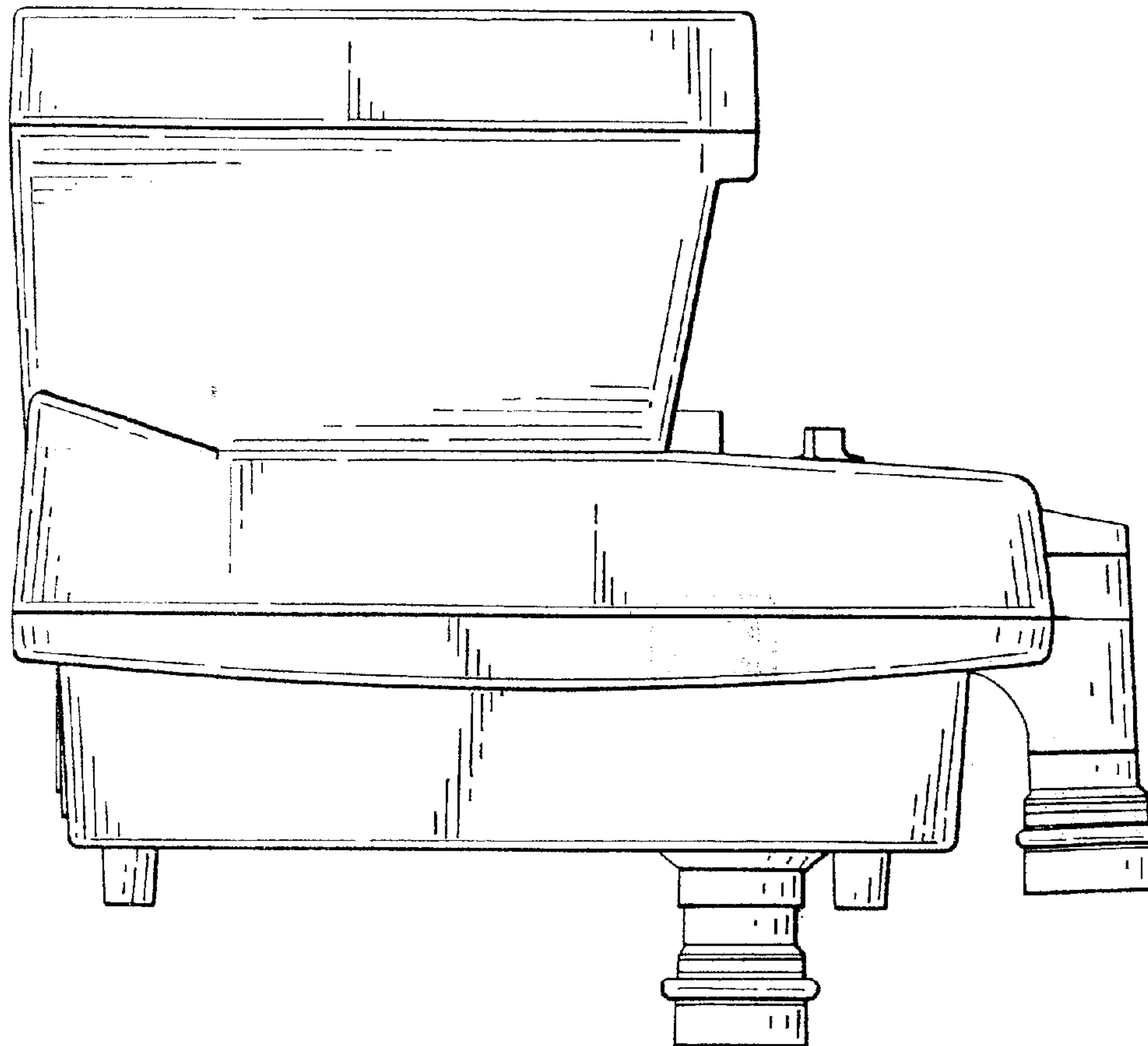


FIG. 4

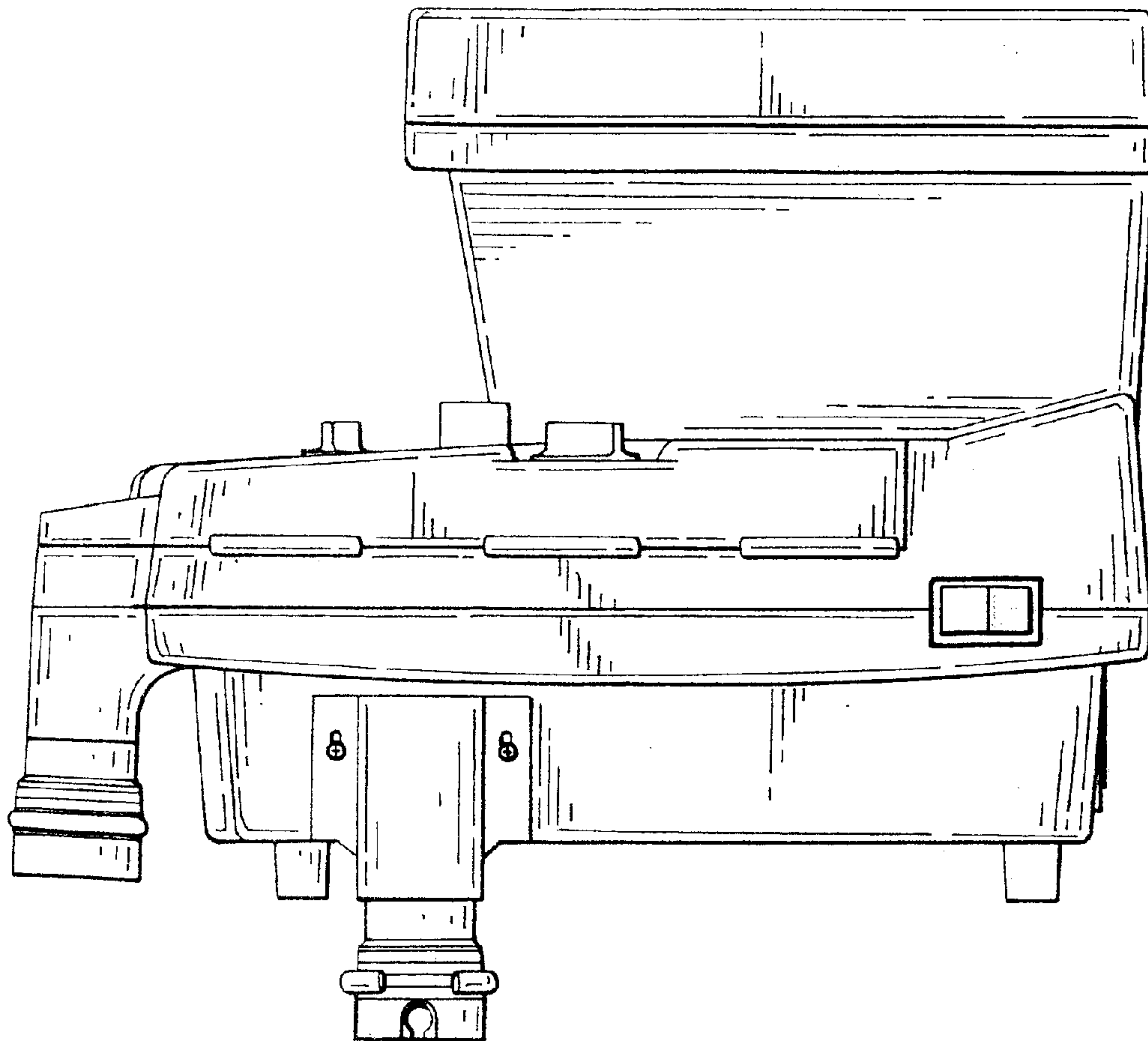


FIG. 5

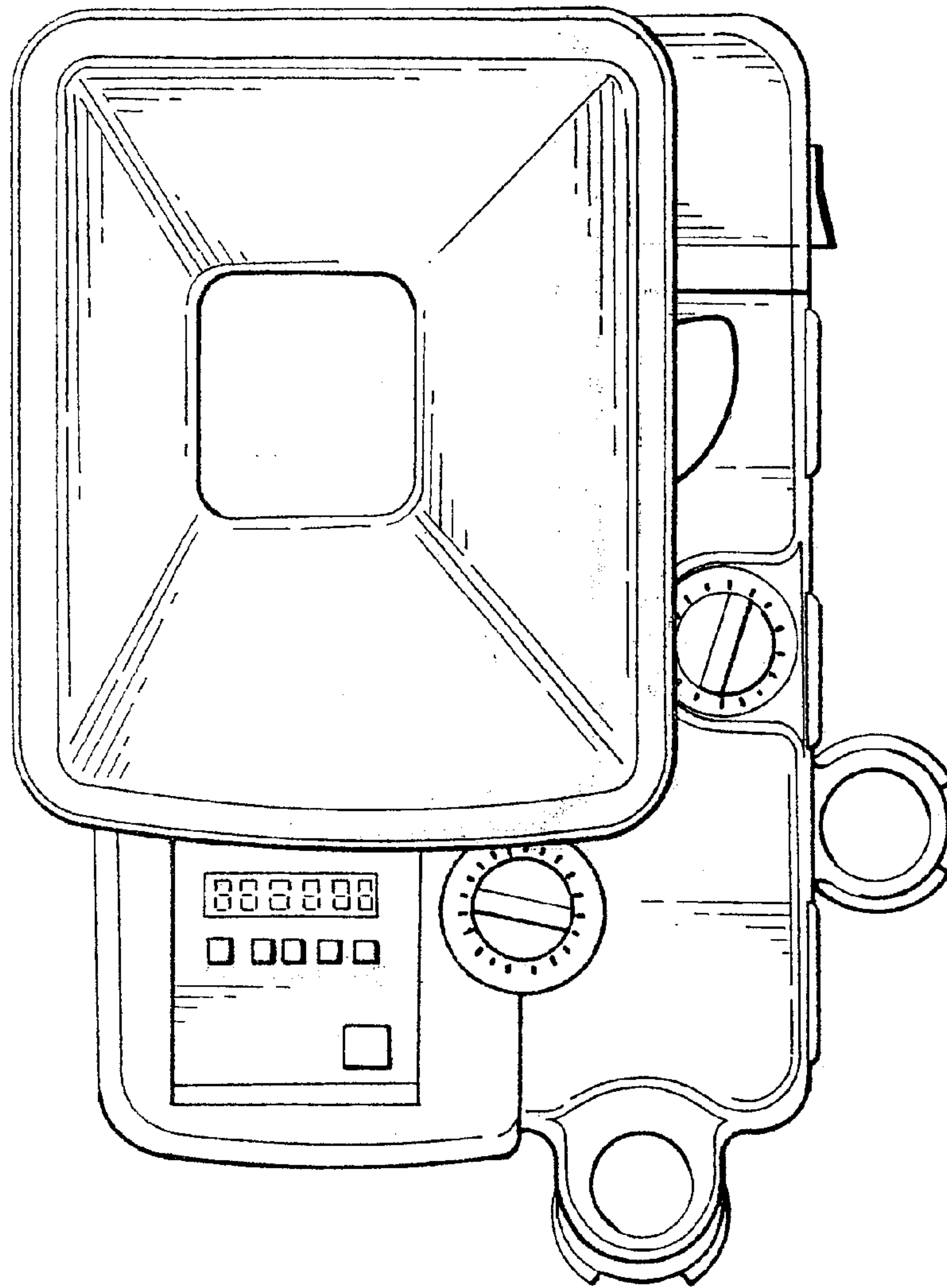


FIG. 6

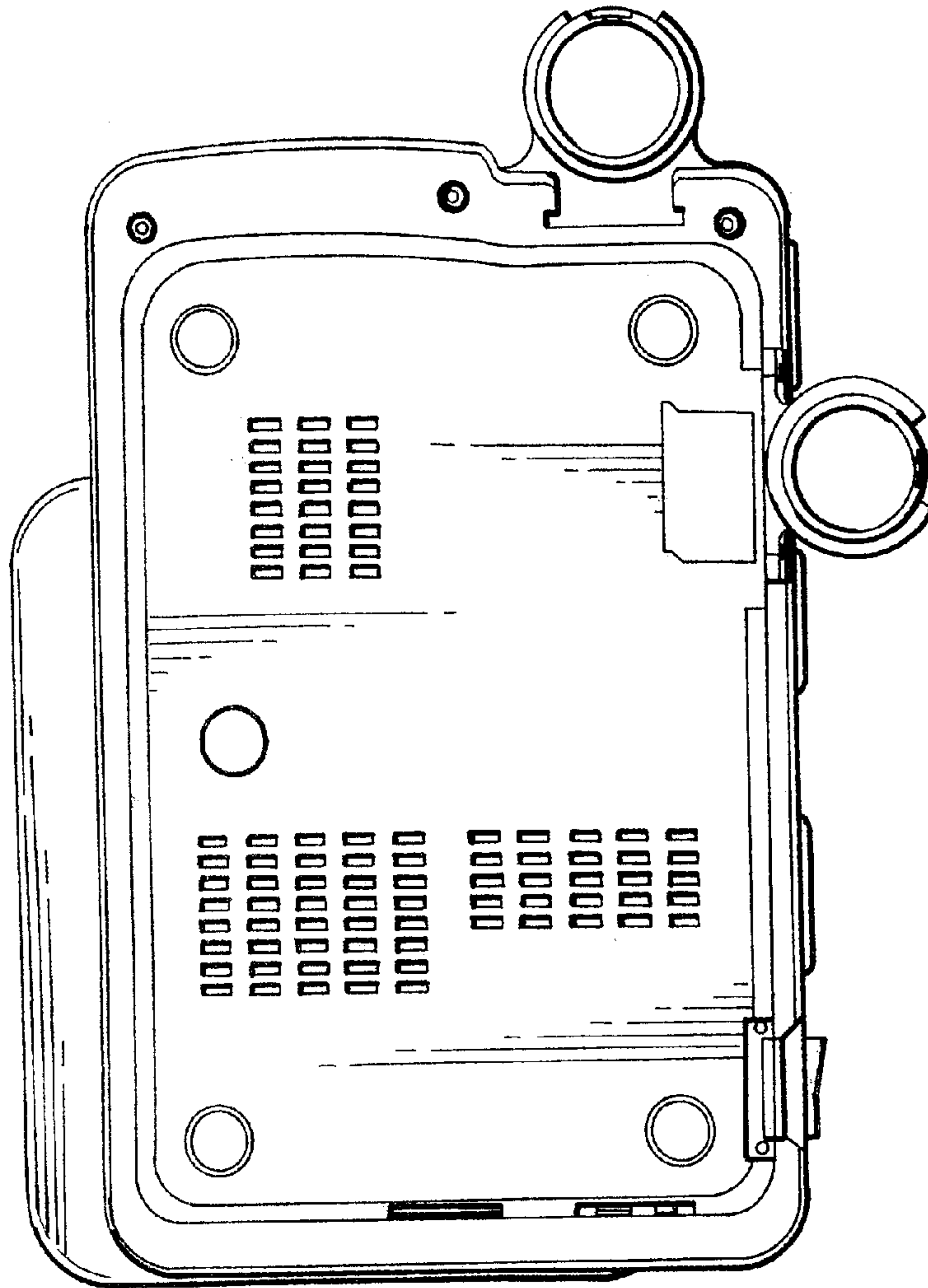


FIG. 7