



US00D513621S

(12) **United States Design Patent**
Funakoshi

(10) **Patent No.:** **US D513,621 S**
(45) **Date of Patent:** **** Jan. 17, 2006**

(54) **DIGITAL CAMERA**

(75) **Inventor:** **Yasuo Funakoshi, Hachioji (JP)**

(73) **Assignee:** **Olympus Corporation, Tokyo (JP)**

(**) **Term:** **14 Years**

(21) **Appl. No.:** **29/197,188**

(22) **Filed:** **Jan. 12, 2004**

(30) **Foreign Application Priority Data**

Nov. 28, 2003	(JP)	2003-035553
Nov. 28, 2003	(JP)	2003-035554
Nov. 28, 2003	(JP)	2003-035555
Nov. 28, 2003	(JP)	2003-035556

(51) **LOC (8) Cl.** **16-01**

(52) **U.S. Cl.** **D16/202**

(58) **Field of Search** D16/200–206,
D16/208, 218; 348/373–376; 358/906, 909.1;
396/535–541

(56) **References Cited**

U.S. PATENT DOCUMENTS

6,033,130 A * 3/2000 Muroi et al. 396/535

D433,693 S	*	11/2000	Kobayashi	D16/202
D441,778 S	*	5/2001	Funakoshi	D16/202
D446,532 S	*	8/2001	Takahashi	D16/202
D474,793 S	*	5/2003	Yoshida	D16/202
D484,162 S	*	12/2003	Moore et al.	D16/218

* cited by examiner

Primary Examiner—Adir Aronovich

(74) *Attorney, Agent, or Firm*—Hogan & Hartson LLP

(57) **CLAIM**

The ornamental design for a digital camera, as shown and described.

DESCRIPTION

FIG. 1 is a front top and right side perspective view of a digital camera showing my new design;
 FIG. 2 is a rear, bottom and left side perspective view thereof;
 FIG. 3 is a front elevational view thereof;
 FIG. 4 is a rear elevational view thereof;
 FIG. 5 is a top plan view thereof;
 FIG. 6 is a bottom plan view thereof;
 FIG. 7 is a right side elevational view thereof; and,
 FIG. 8 is a left side elevational view thereof.

1 Claim, 8 Drawing Sheets

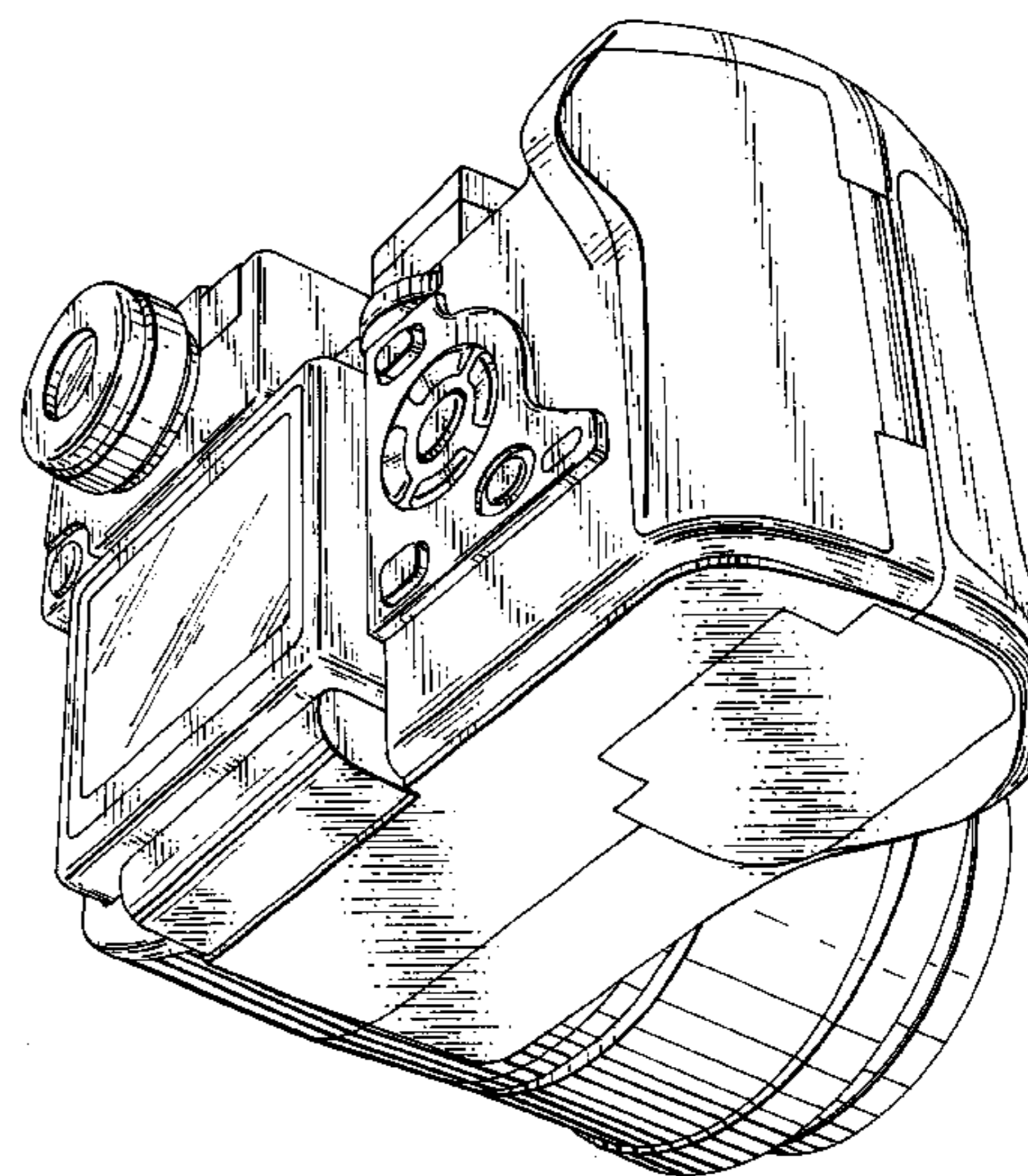
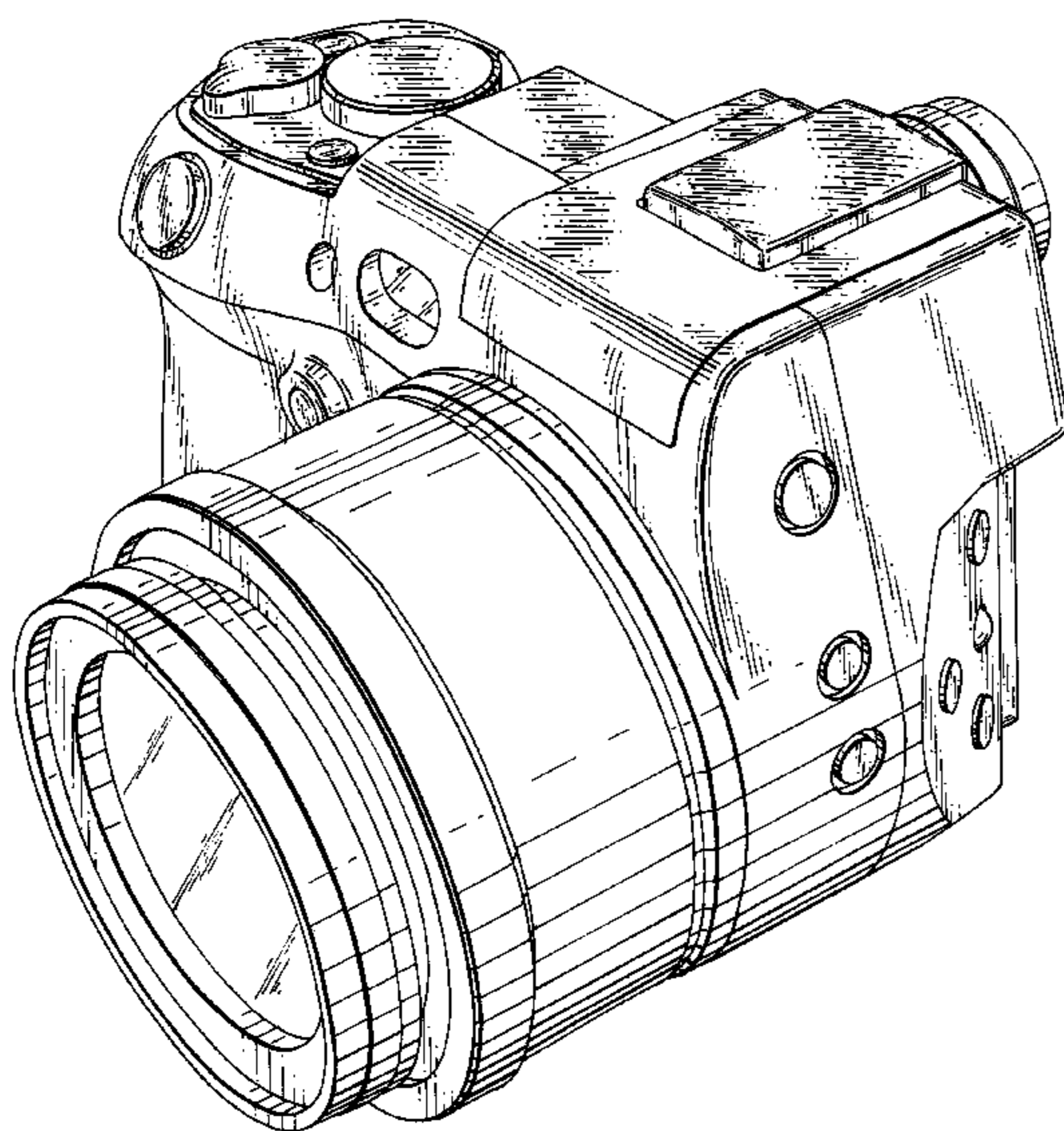


FIG. 1

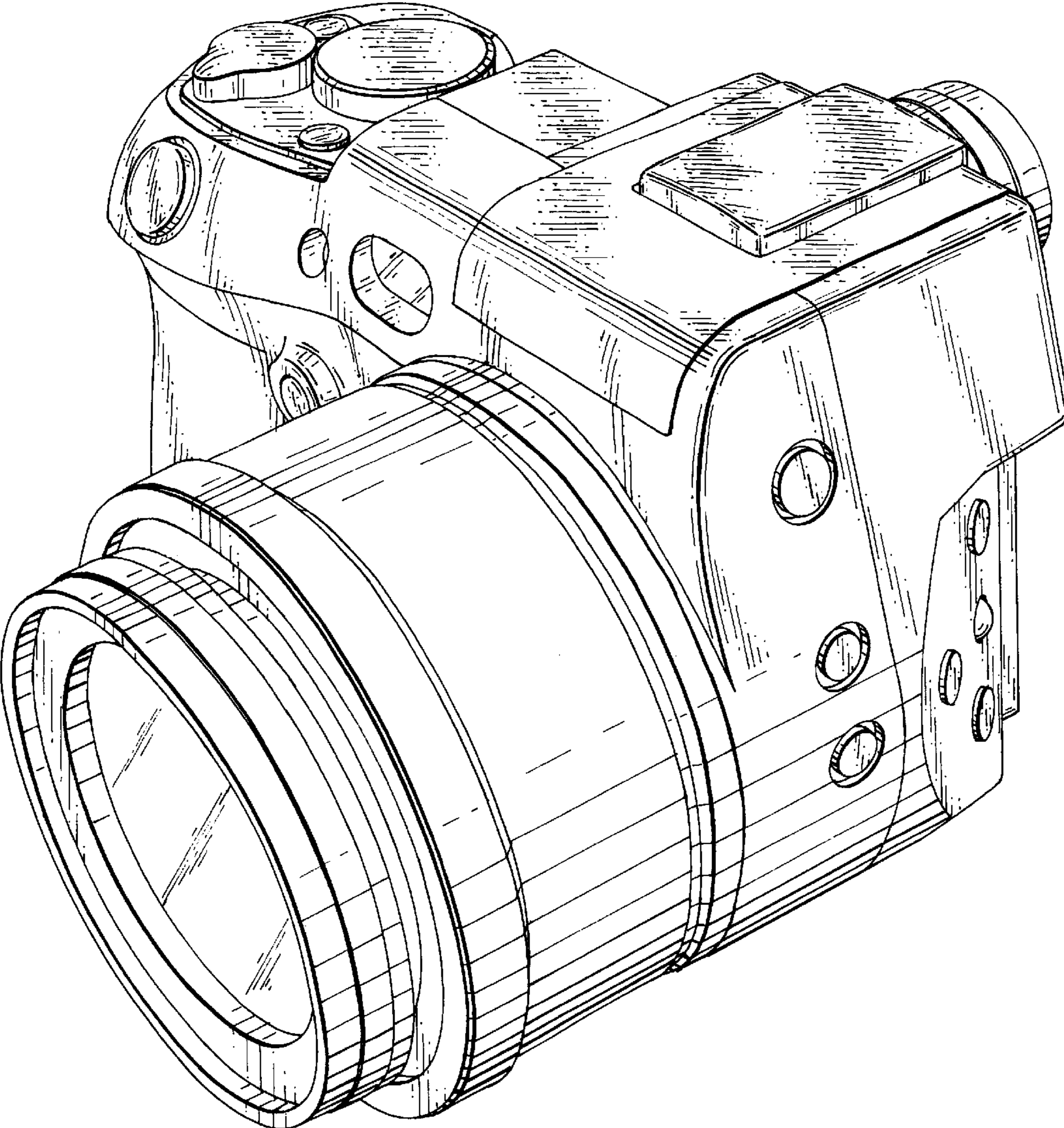


FIG.2

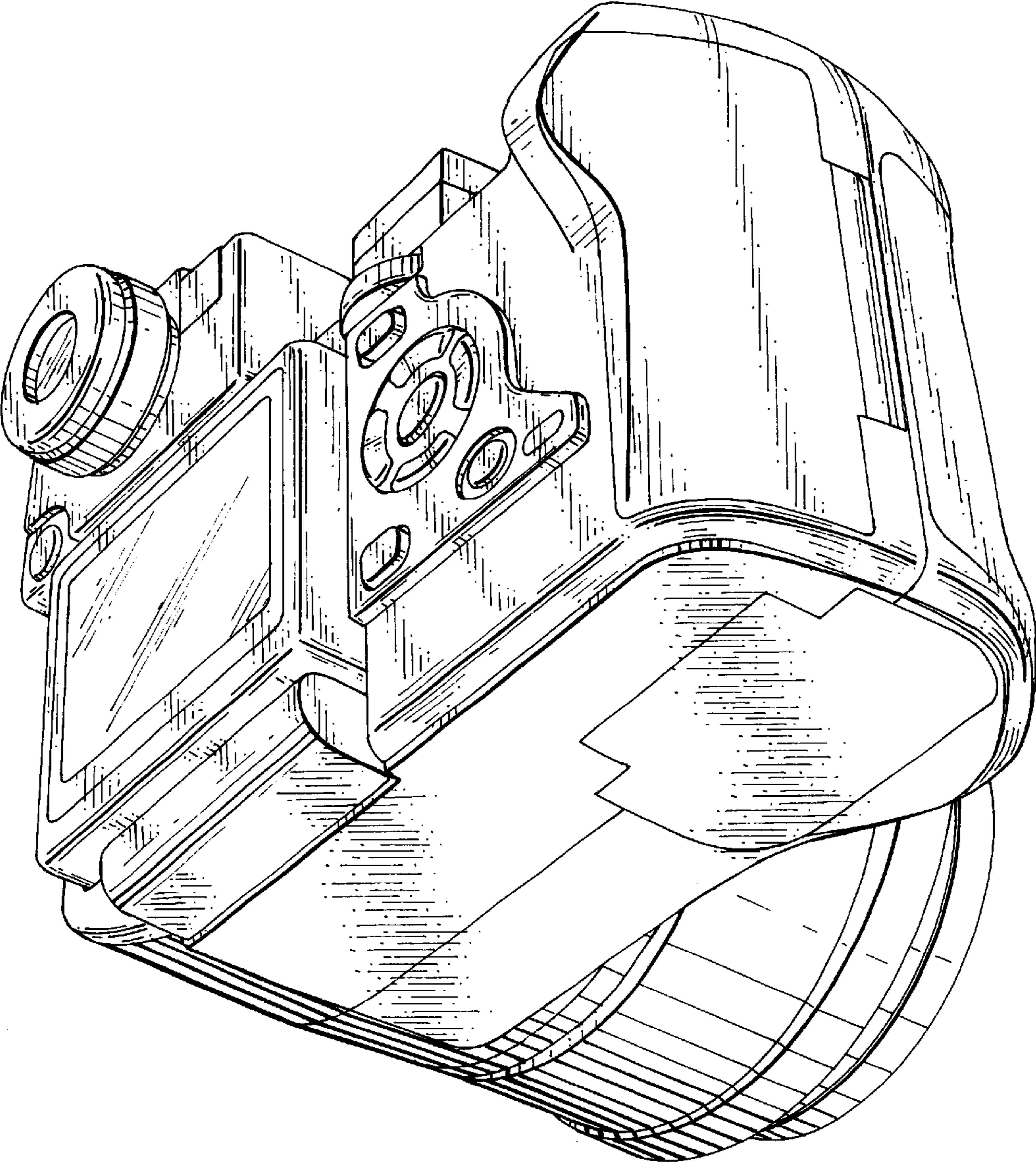


FIG.3

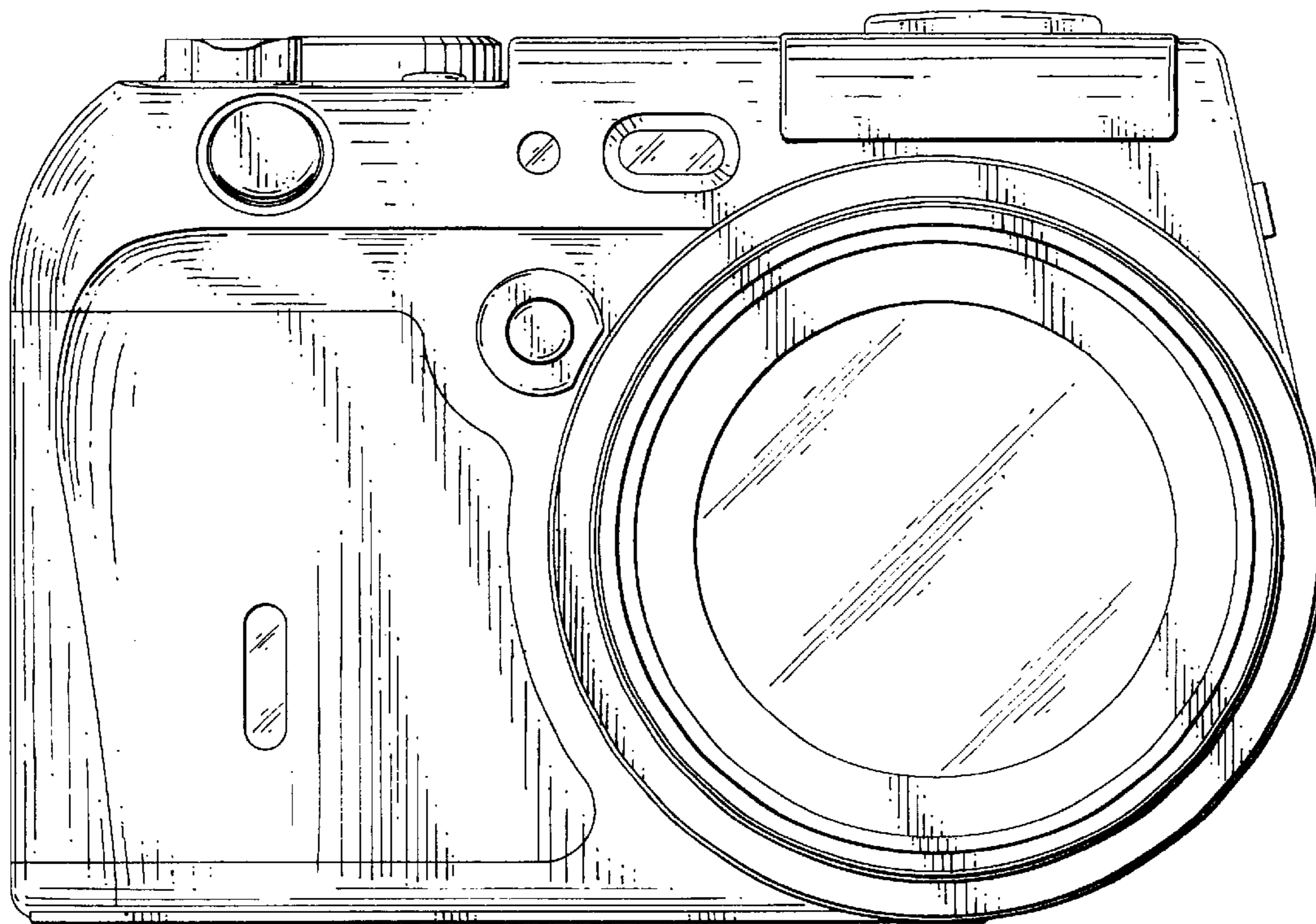


FIG.4

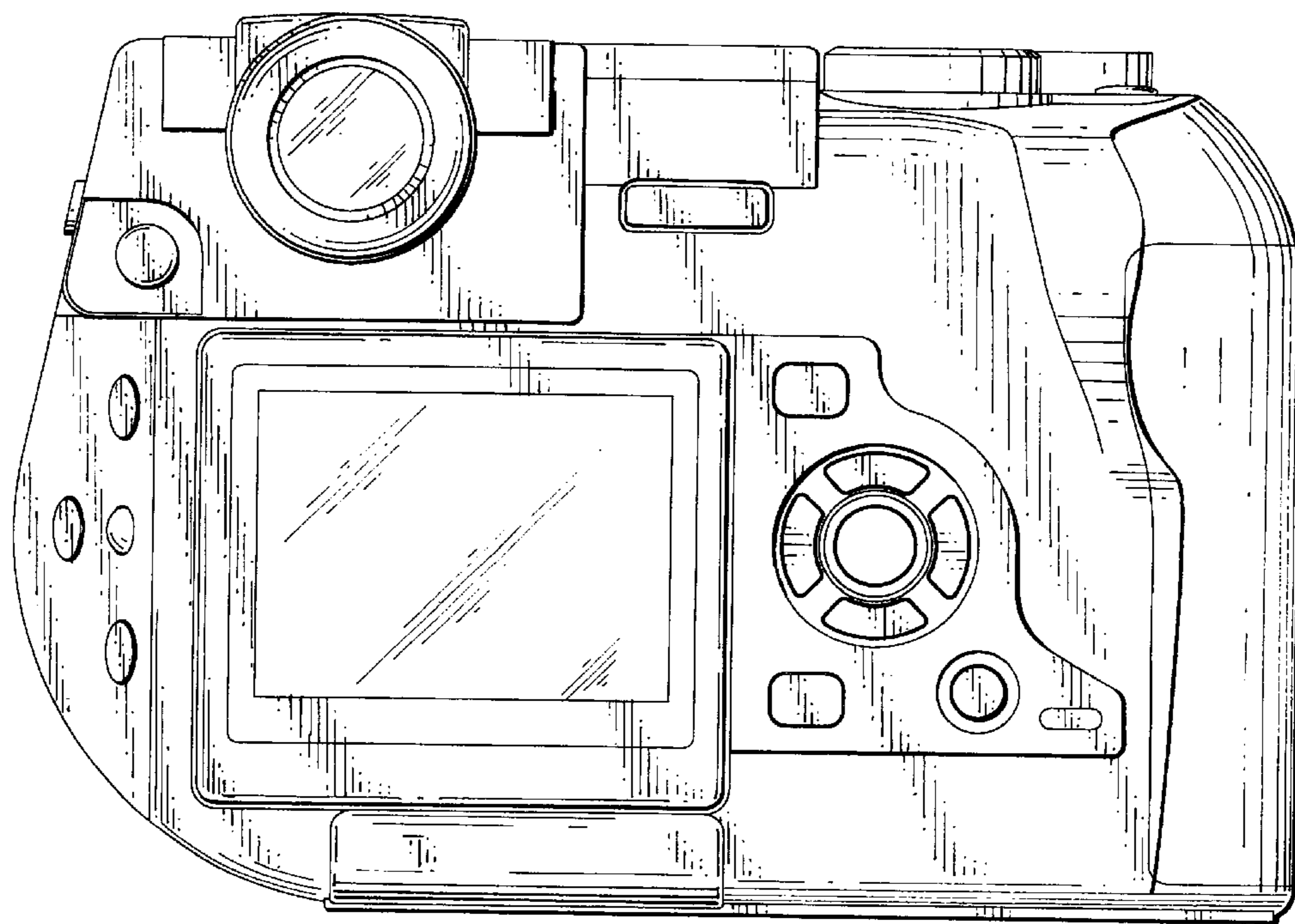


FIG.5

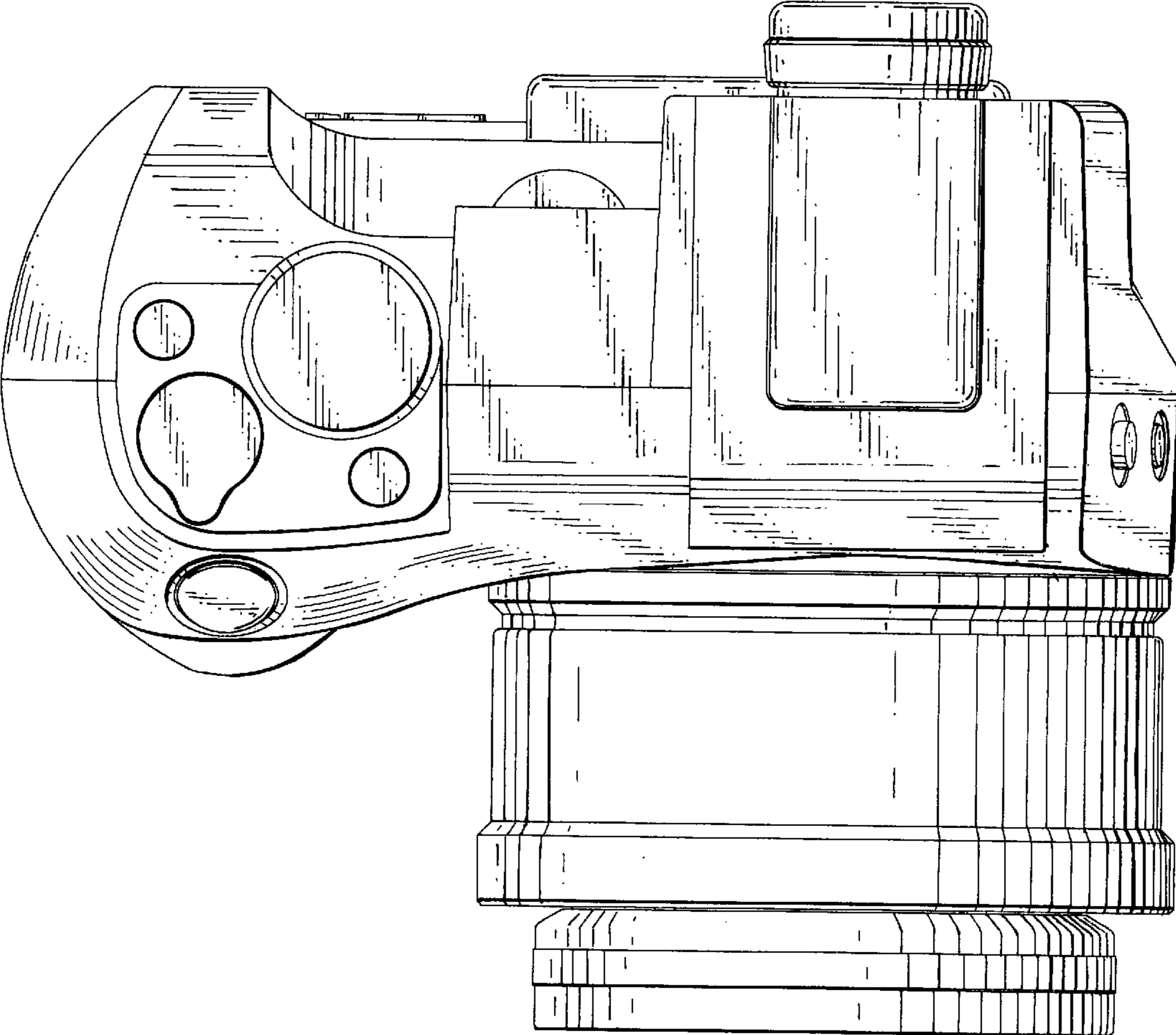


FIG.6

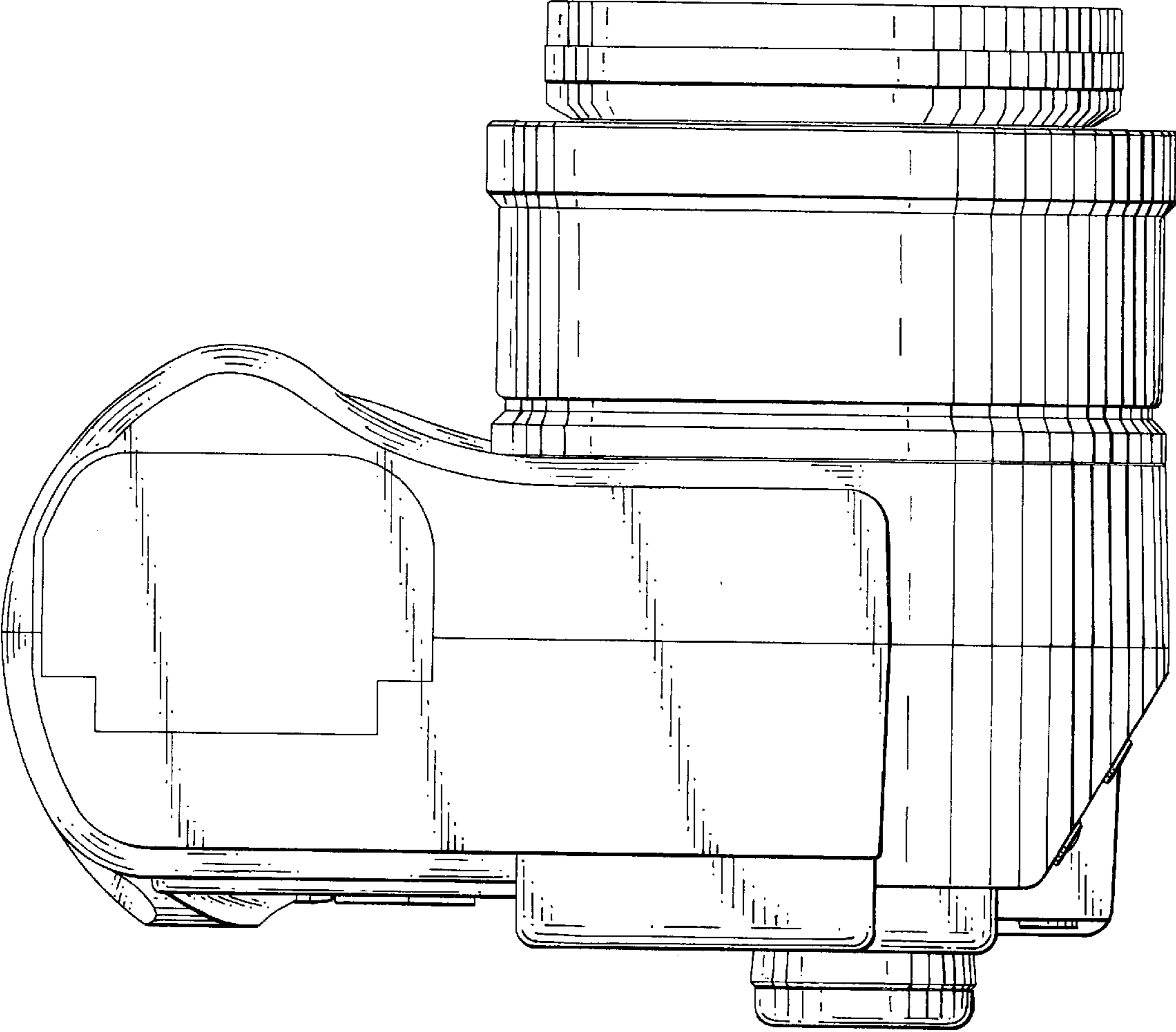


FIG.7

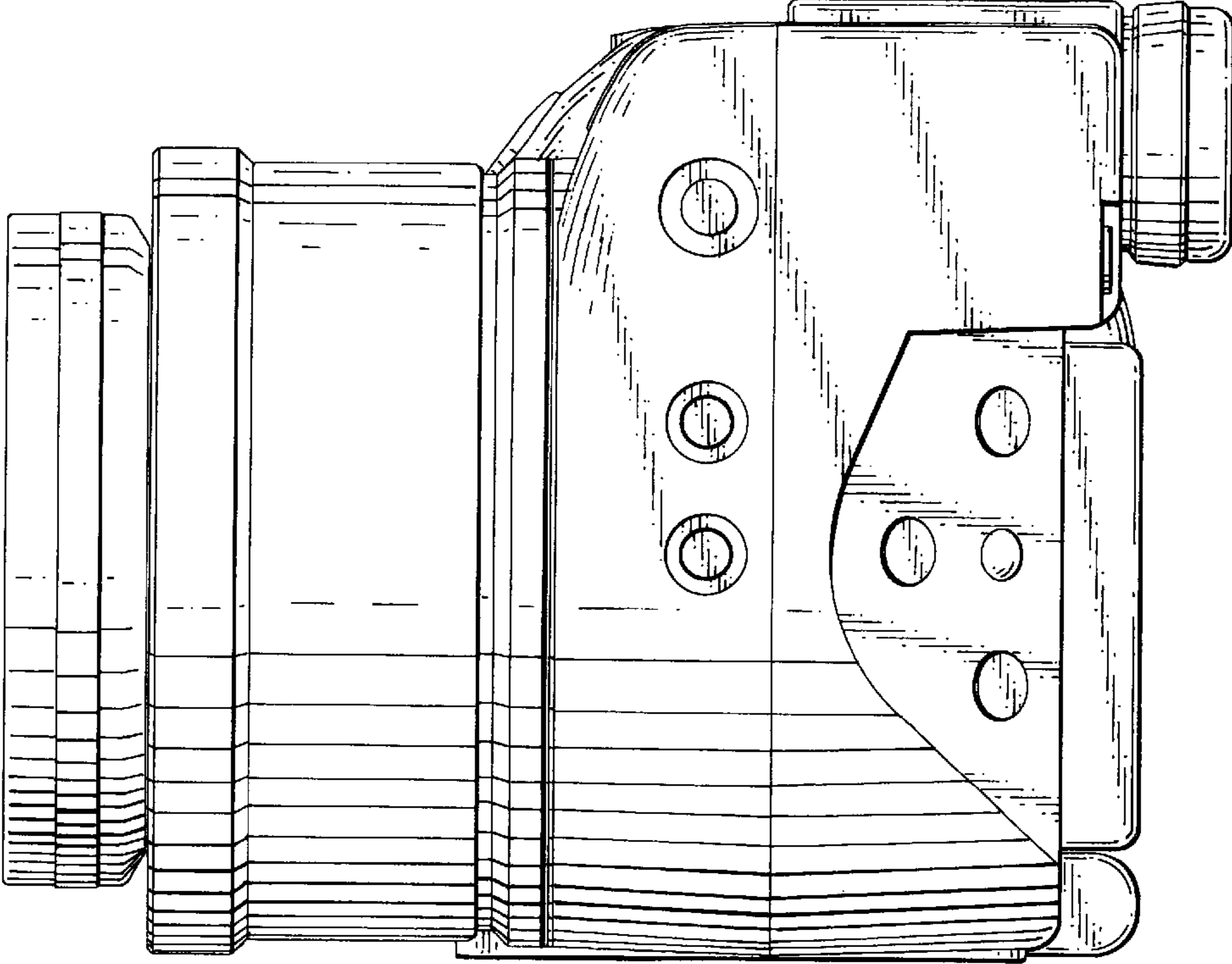


FIG.8

