



US00D513620S

(12) **United States Design Patent**  
**Kuo**

(10) **Patent No.:** **US D513,620 S**  
(45) **Date of Patent:** **\*\* Jan. 17, 2006**

(54) **BINOCULAR**

(75) **Inventor:** **Roger Kuo**, Tainan Hsien (TW)

(73) **Assignee:** **Digivogue Tech Co., Ltd.**, Tainan Hsien (TW)

(\*\*) **Term:** **14 Years**

(21) **Appl. No.:** **29/218,264**

(22) **Filed:** **Nov. 30, 2004**

(51) **LOC (8) Cl.** ..... **16-06**

(52) **U.S. Cl.** ..... **D16/133; D16/208**

(58) **Field of Classification Search** ..... D16/130,  
D16/133, 208, 218; 359/407-413, 363, 415,  
359/432, 630; 396/429, 432, 535-541  
See application file for complete search history.

(56) **References Cited**

**U.S. PATENT DOCUMENTS**

2,882,791 A \* 4/1959 Moller et al. .... 359/363  
D307,154 S \* 4/1990 Shishikura ..... D16/133  
5,579,165 A \* 11/1996 Michel et al. .... 359/630

5,986,803 A \* 11/1999 Kelly ..... 359/409  
D488,178 S \* 4/2004 Huang ..... D16/218  
D496,673 S \* 9/2004 Hines et al. .... D16/133  
D502,201 S \* 2/2005 Hines et al. .... D16/208

\* cited by examiner

*Primary Examiner*—Paula A. Greene

(74) *Attorney, Agent, or Firm*—Law Offices of Albert Wai-Kit Chan, LLC

(57) **CLAIM**

The ornamental design for binocular, as shown and described.

**DESCRIPTION**

FIG. 1 is a perspective view of binocular showing the new design;  
FIG. 2 is a front elevational view thereof;  
FIG. 3 is a rear elevational view thereof;  
FIG. 4 is a left side elevational view thereof;  
FIG. 5 is a right side elevational view thereof;  
FIG. 6 is a top plan view thereof; and,  
FIG. 7 is a bottom plan view thereof.

**1 Claim, 4 Drawing Sheets**

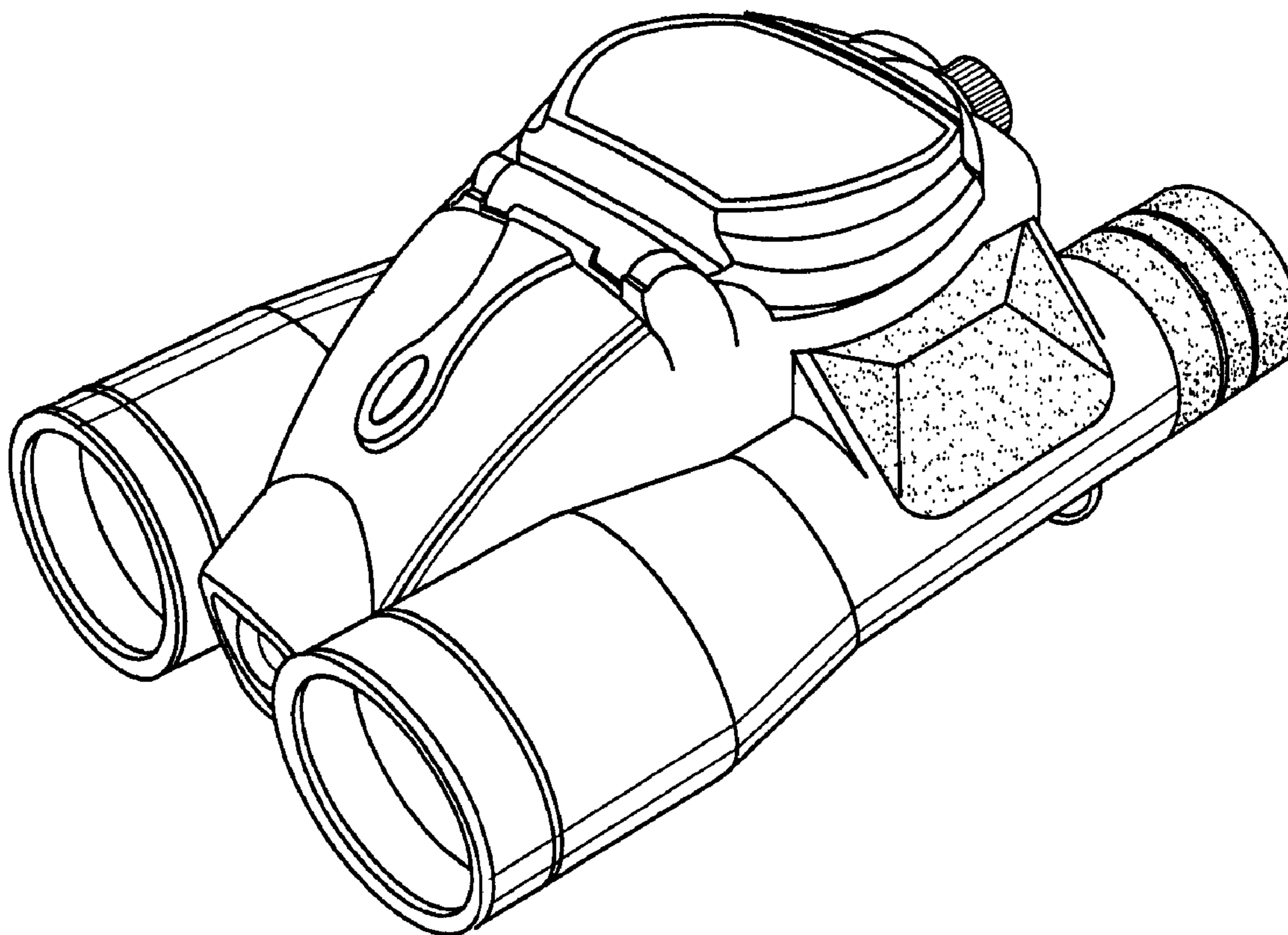




FIG. 1

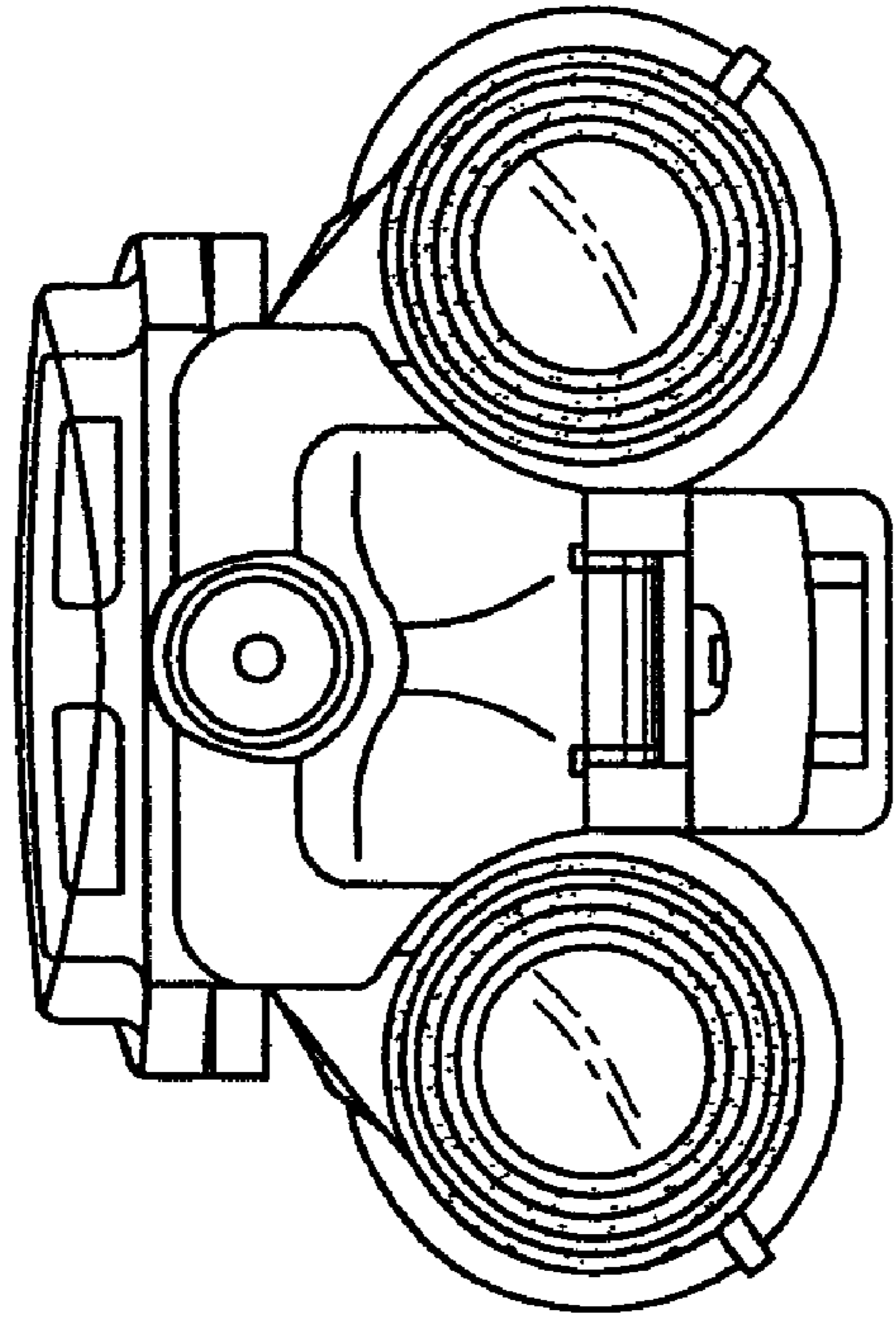


FIG. 3

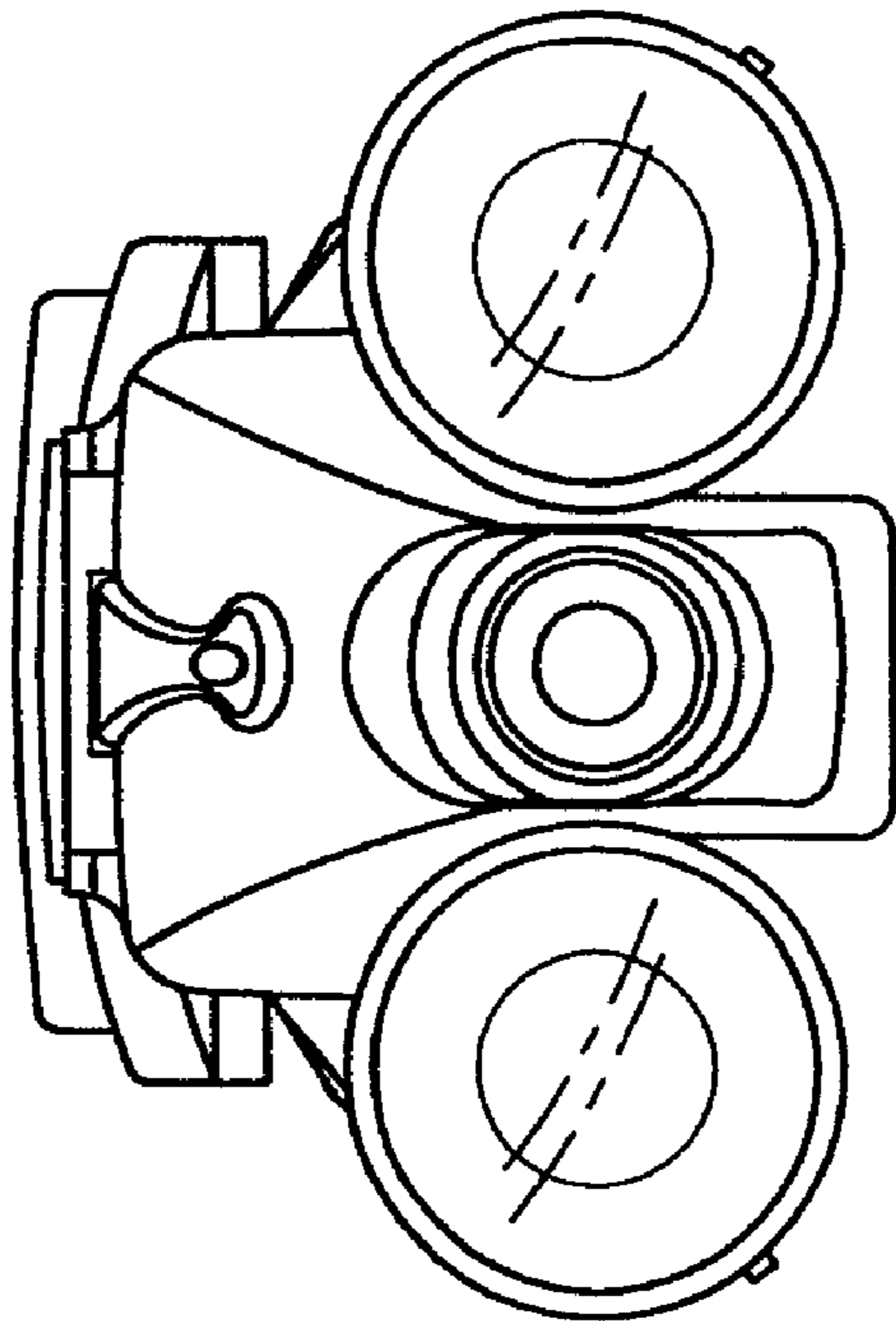


FIG. 2

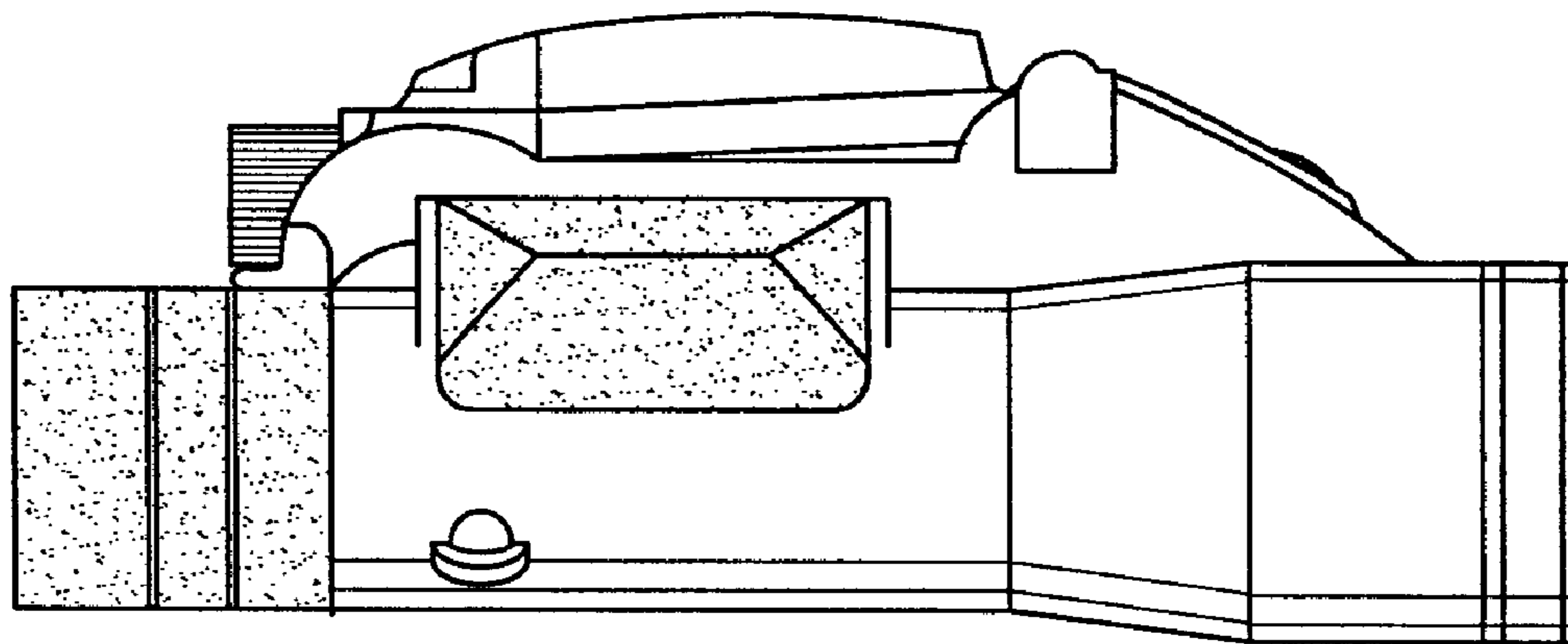


FIG. 4

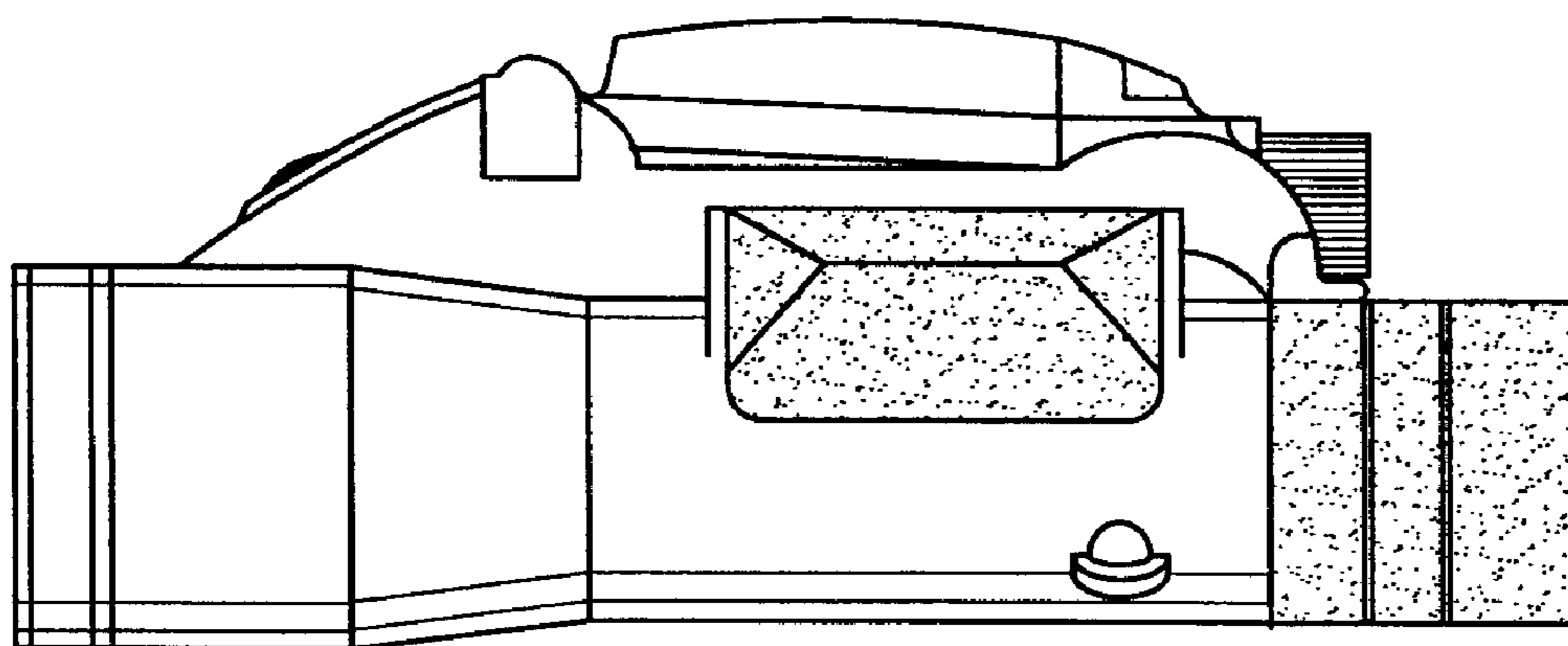


FIG. 5

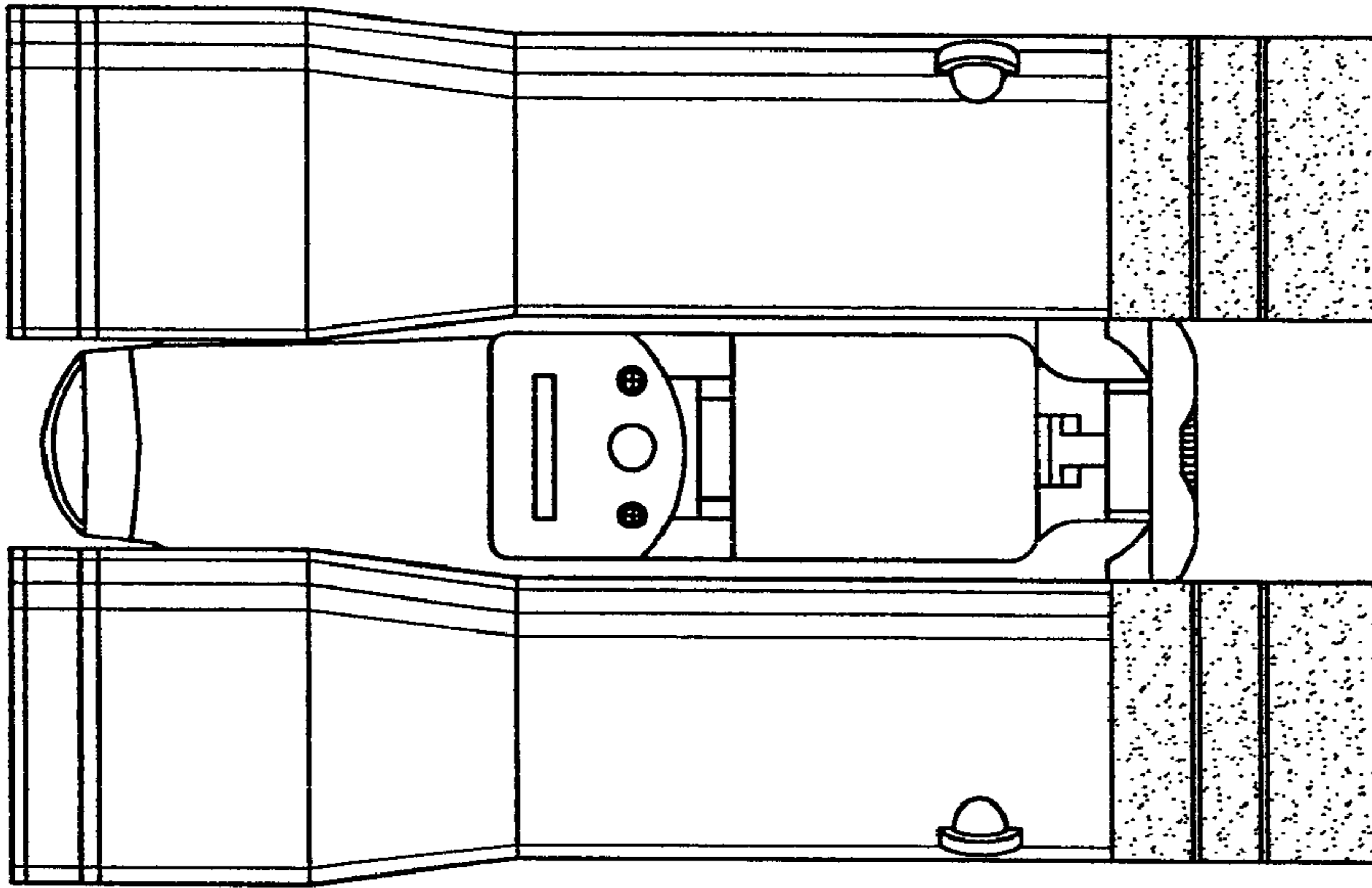


FIG. 7

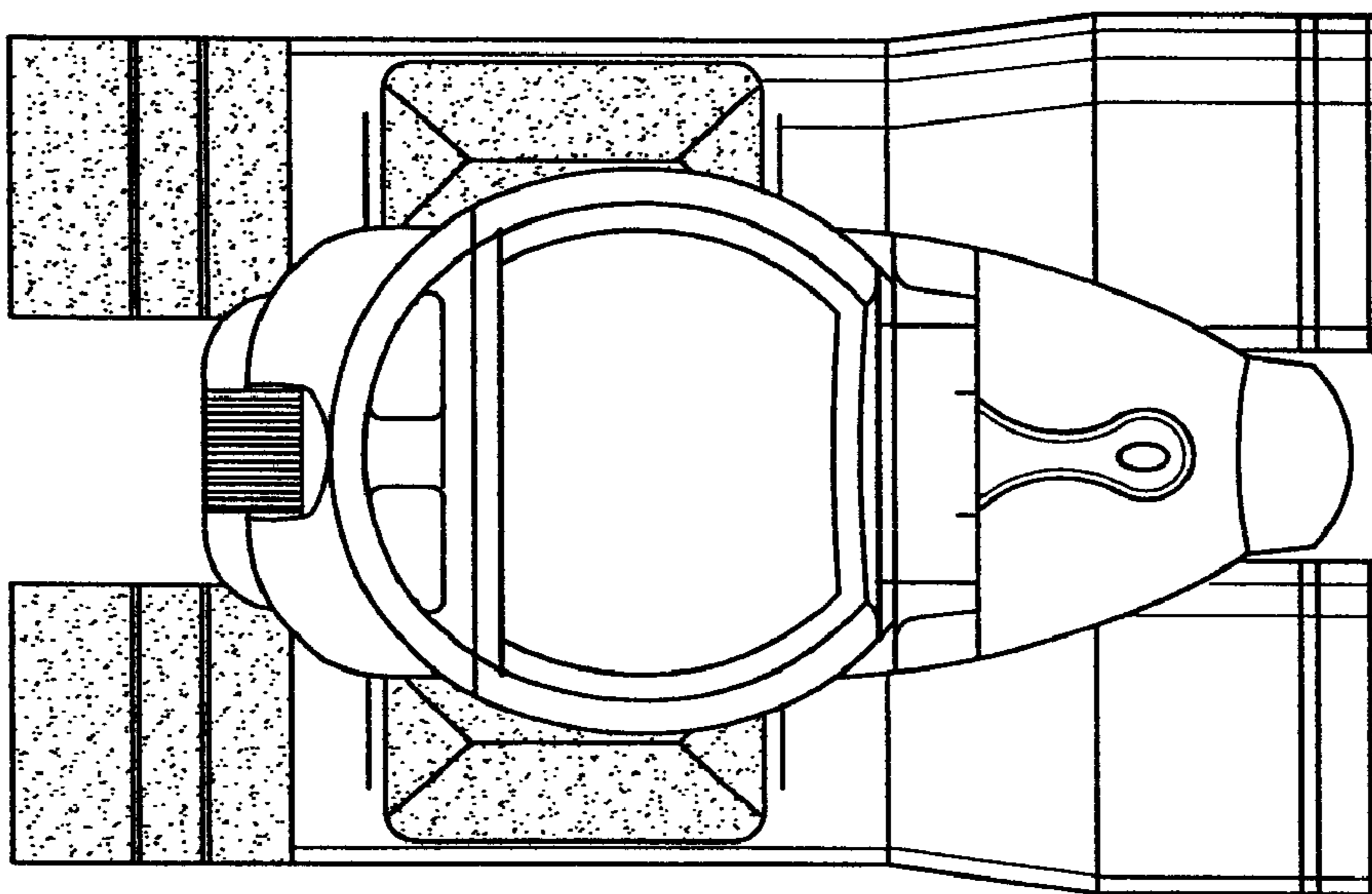


FIG. 6