



US00D513619S

(12) **United States Design Patent** (10) **Patent No.:** **US D513,619 S**
Hernandez et al. (45) **Date of Patent:** **** Jan. 17, 2006**

(54) **COMPRESSOR APPARATUS**

D505,430 S * 5/2005 Buck D15/9

(75) Inventors: **Hector R. Hernandez**, Fullerton, CA (US); **Jaime W. Nash**, Rancho Santa Margarita, CA (US)

* cited by examiner

Primary Examiner—Ralf Seifert
(74) *Attorney, Agent, or Firm*—Fulwider Patton Lee & Utecht, LLP

(73) Assignee: **Alltrade Tools LLC**, Long Beach, CA (US)

(57) **CLAIM**

(**) Term: **14 Years**

The new ornamental design of a compressor apparatus, as shown and described.

(21) Appl. No.: **29/216,288**

DESCRIPTION

(22) Filed: **Nov. 1, 2004**

(51) **LOC (8) Cl.** **15-02**

(52) **U.S. Cl.** **D15/9**

(58) **Field of Classification Search** D15/7-9;
D23/231, 232; 417/410.4, 359, 415, 410.3,
417/234, 229, 321, 265, 405

See application file for complete search history.

FIG. 1 is a perspective view, depicting a compressor apparatus of the present invention;

FIG. 2 is a perspective view, depicting the compressor apparatus of FIG. 1 rotated clockwise;

FIG. 3 is an elevational view, depicting a rear view of the compressor apparatus of the present invention;

FIG. 4 is an elevational view, depicting a left side view of the compressor apparatus of the present invention;

FIG. 5 is an elevational view, depicting a right side view of the compressor apparatus of the present invention;

FIG. 6 is a top view, depicting an upper side view of the compressor apparatus of the present invention; and,

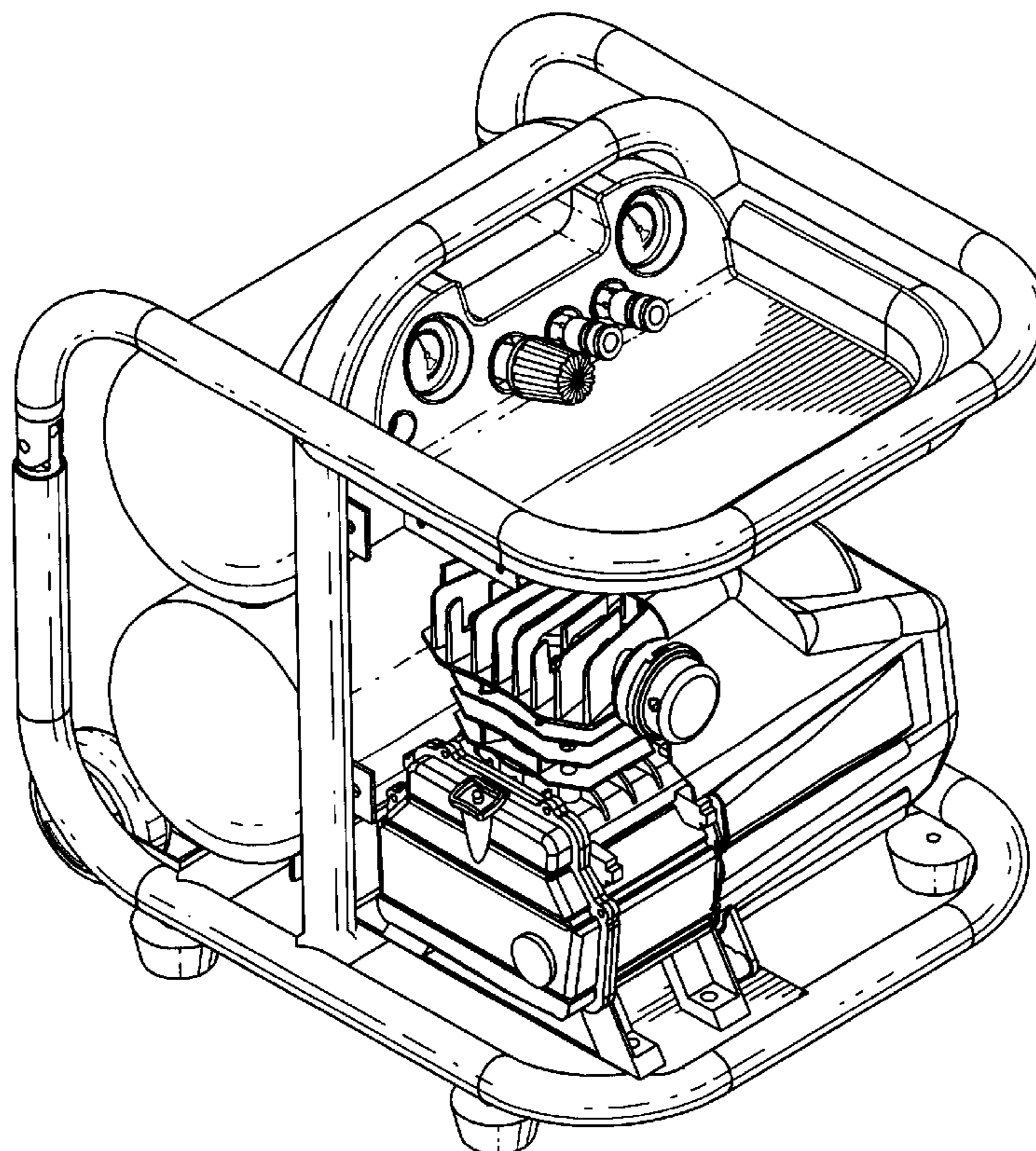
FIG. 7 is a bottom view, depicting a lower side view of the compressor apparatus of the present invention.

(56) **References Cited**

U.S. PATENT DOCUMENTS

D444,796 S	*	7/2001	Morgan	D15/9
D454,357 S	*	3/2002	Diels	D15/7
D499,431 S	*	12/2004	Chen	D15/9
D500,050 S	*	12/2004	Lucchi	D15/7
D500,052 S	*	12/2004	Lucchi	D15/9
D500,328 S	*	12/2004	Lucchi	D15/9

1 Claim, 4 Drawing Sheets



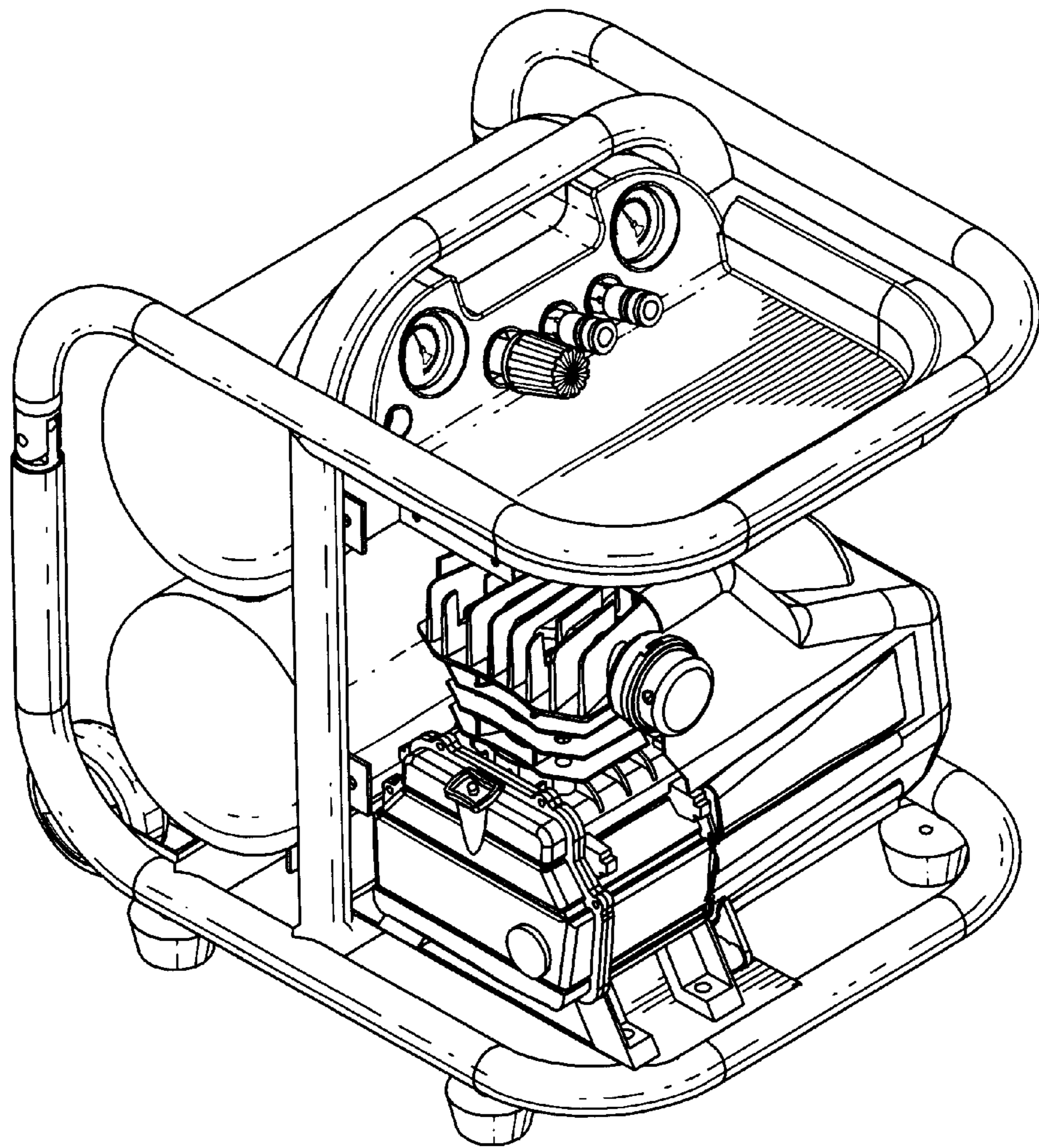


FIG. 1

FIG. 2

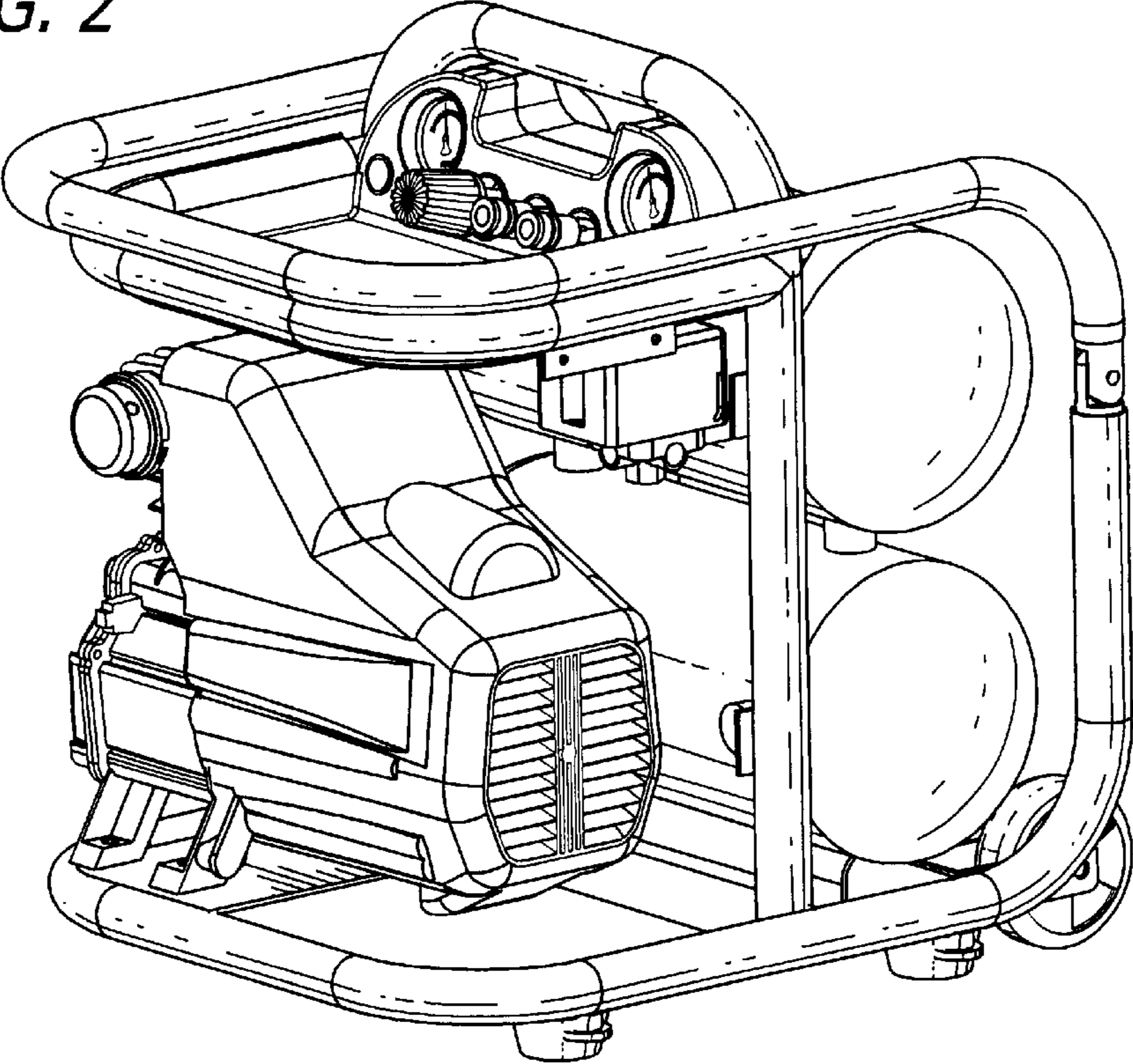


FIG. 3

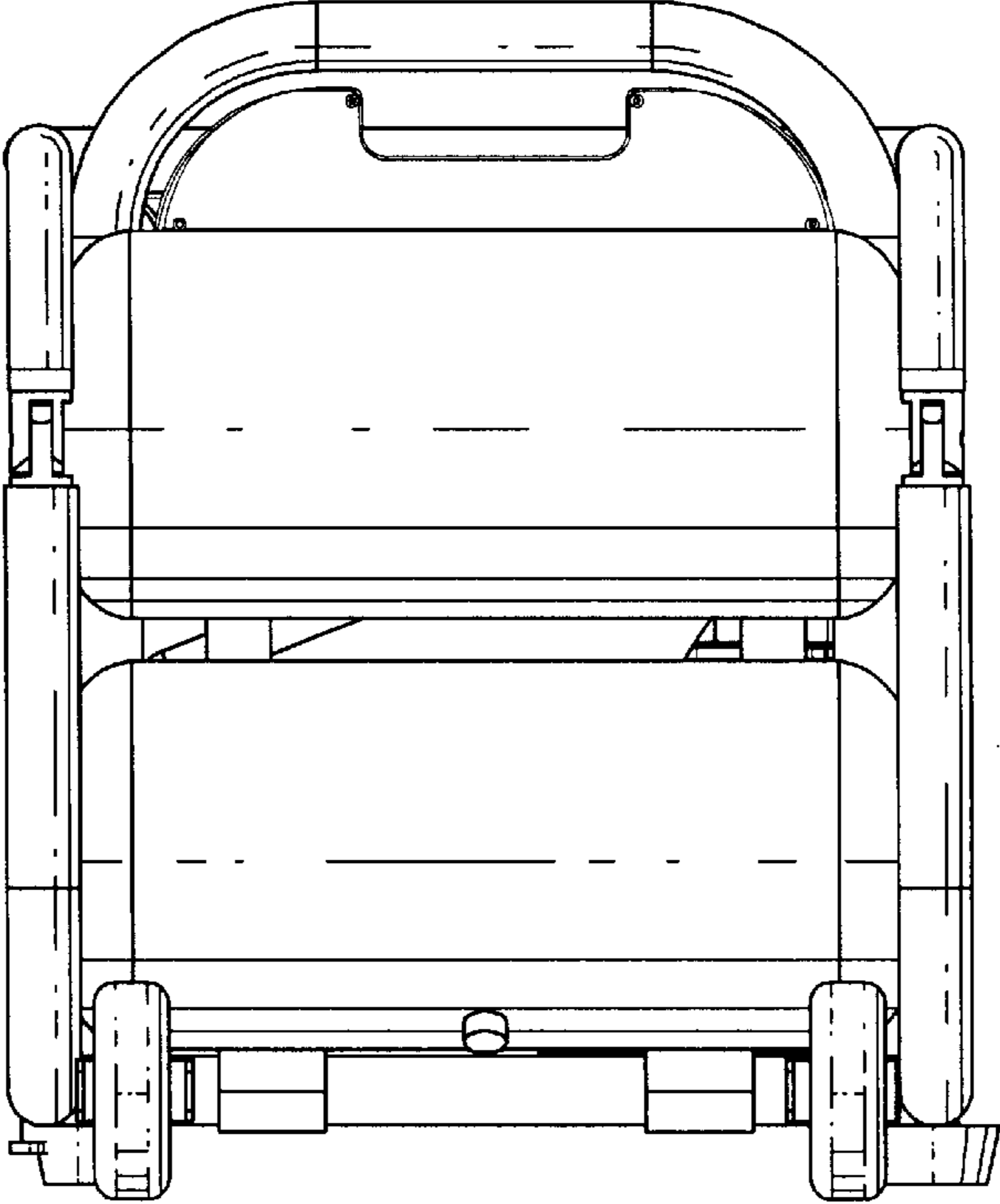


FIG. 4

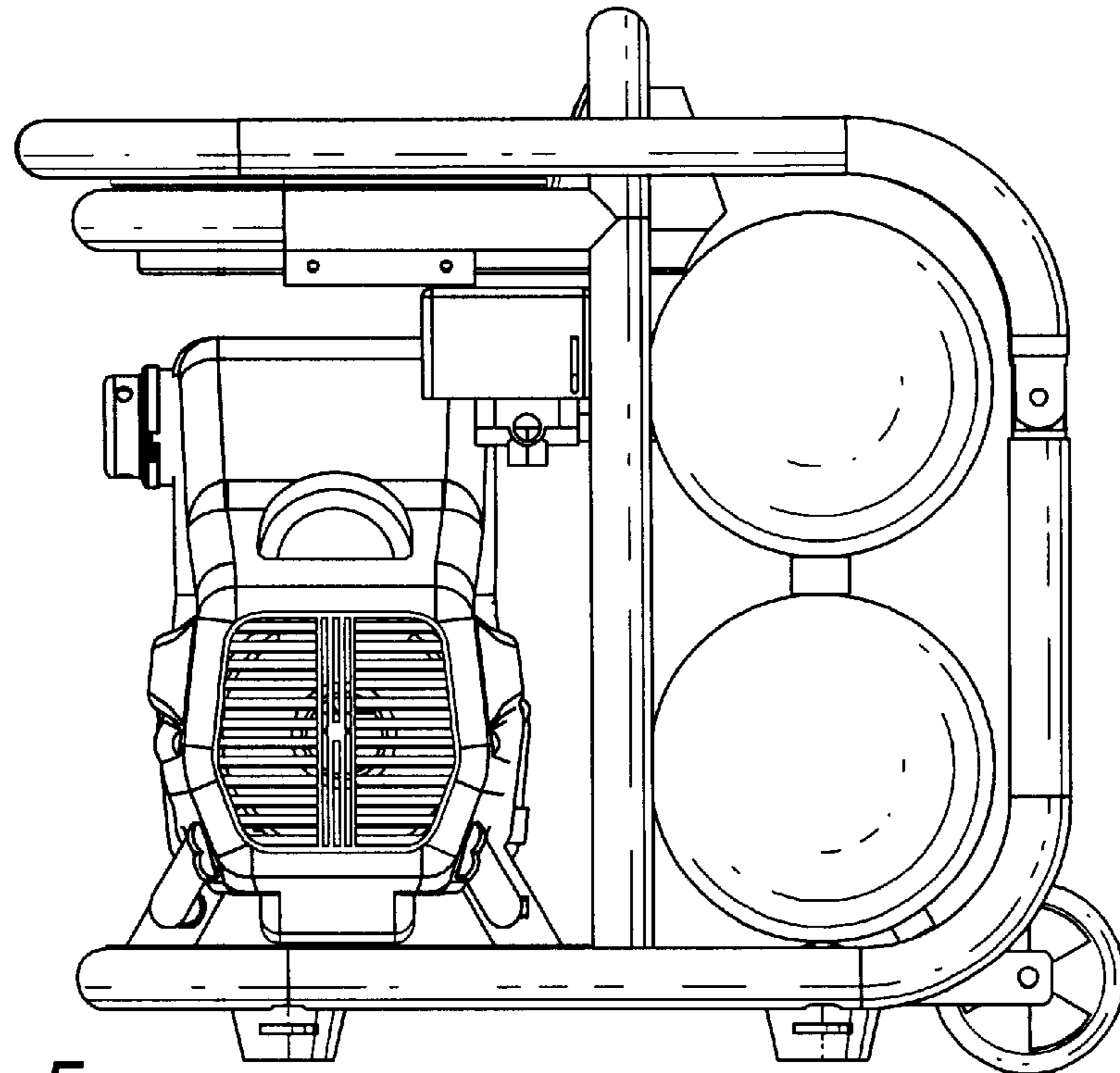
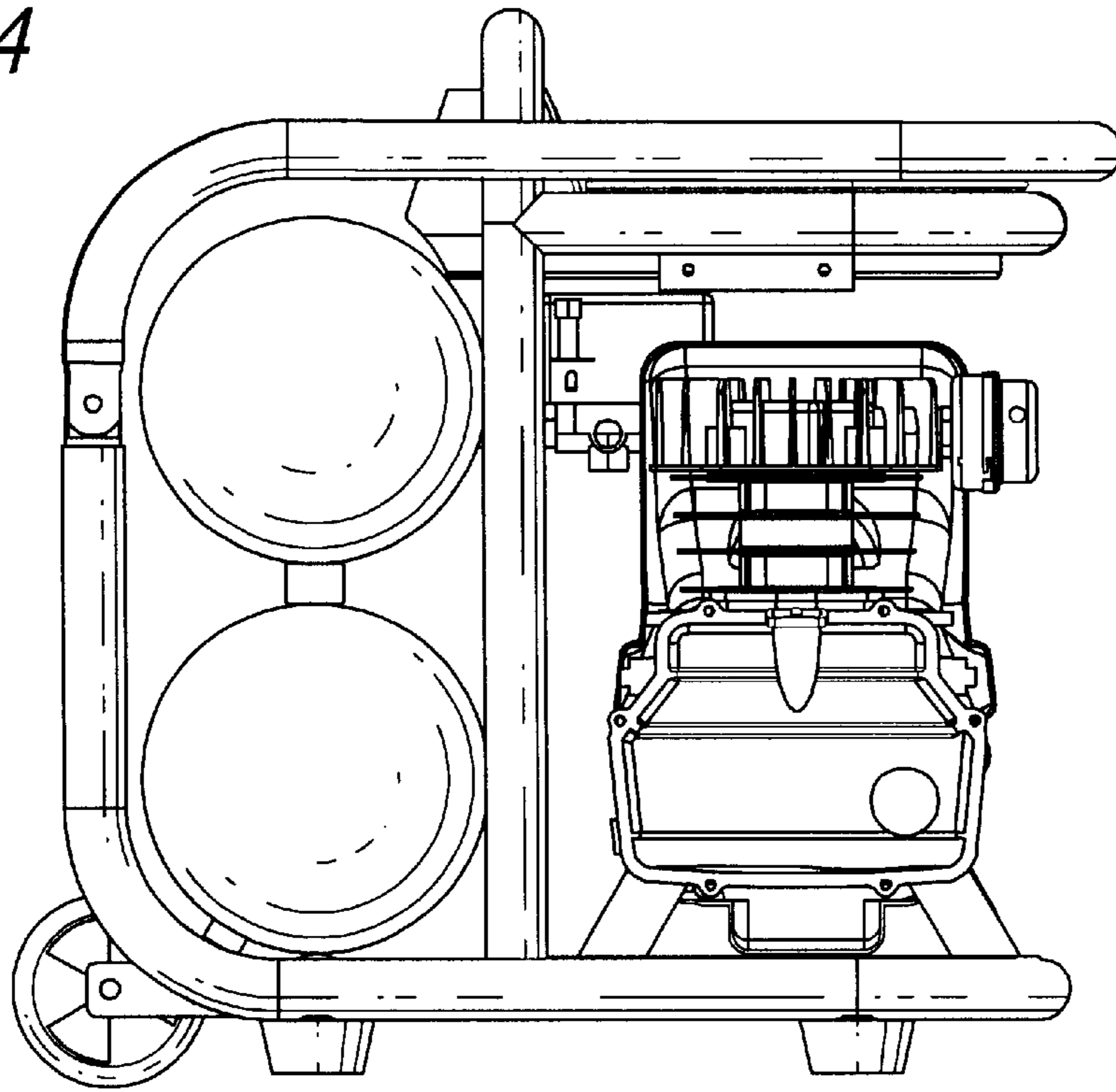


FIG. 5

FIG. 6

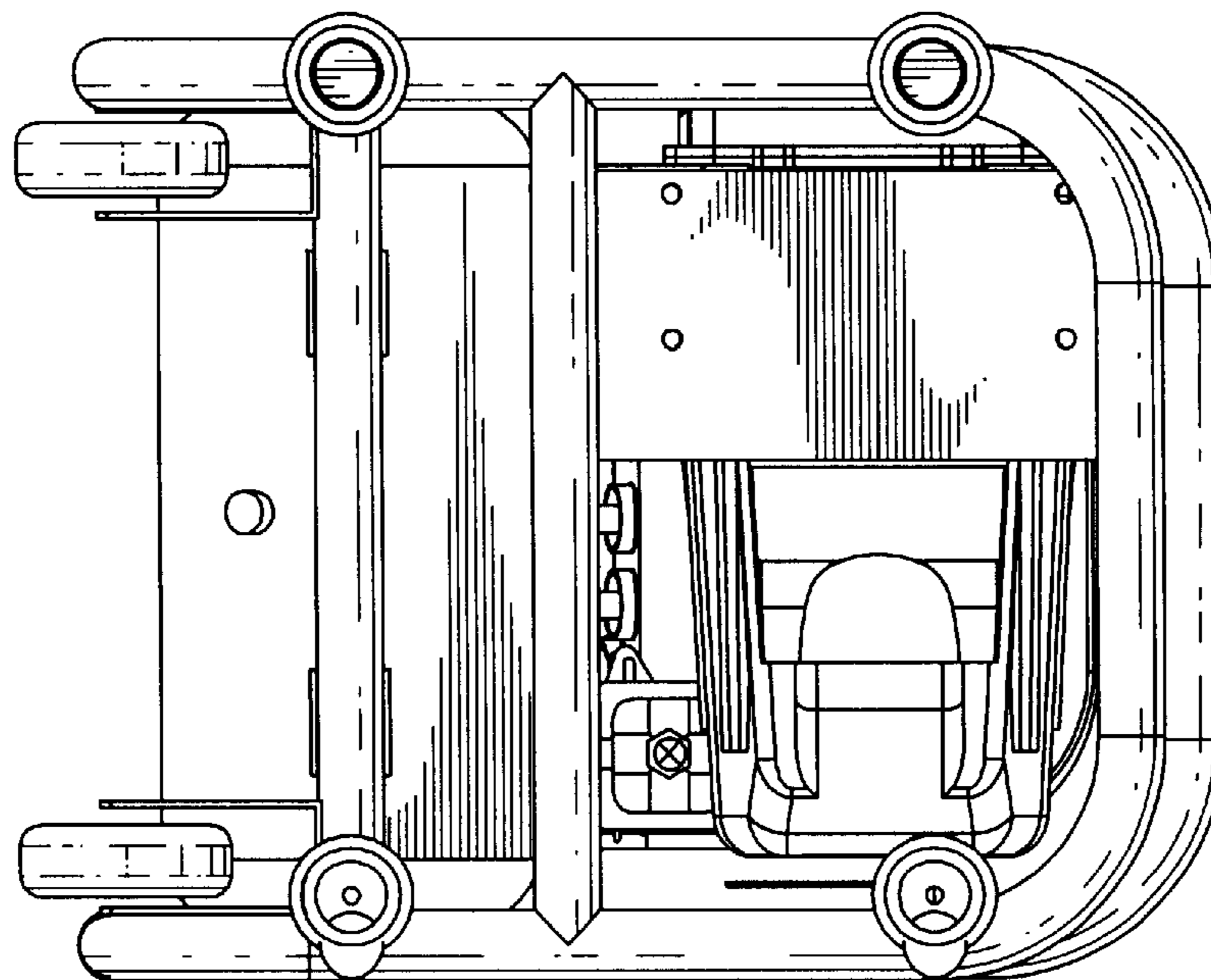
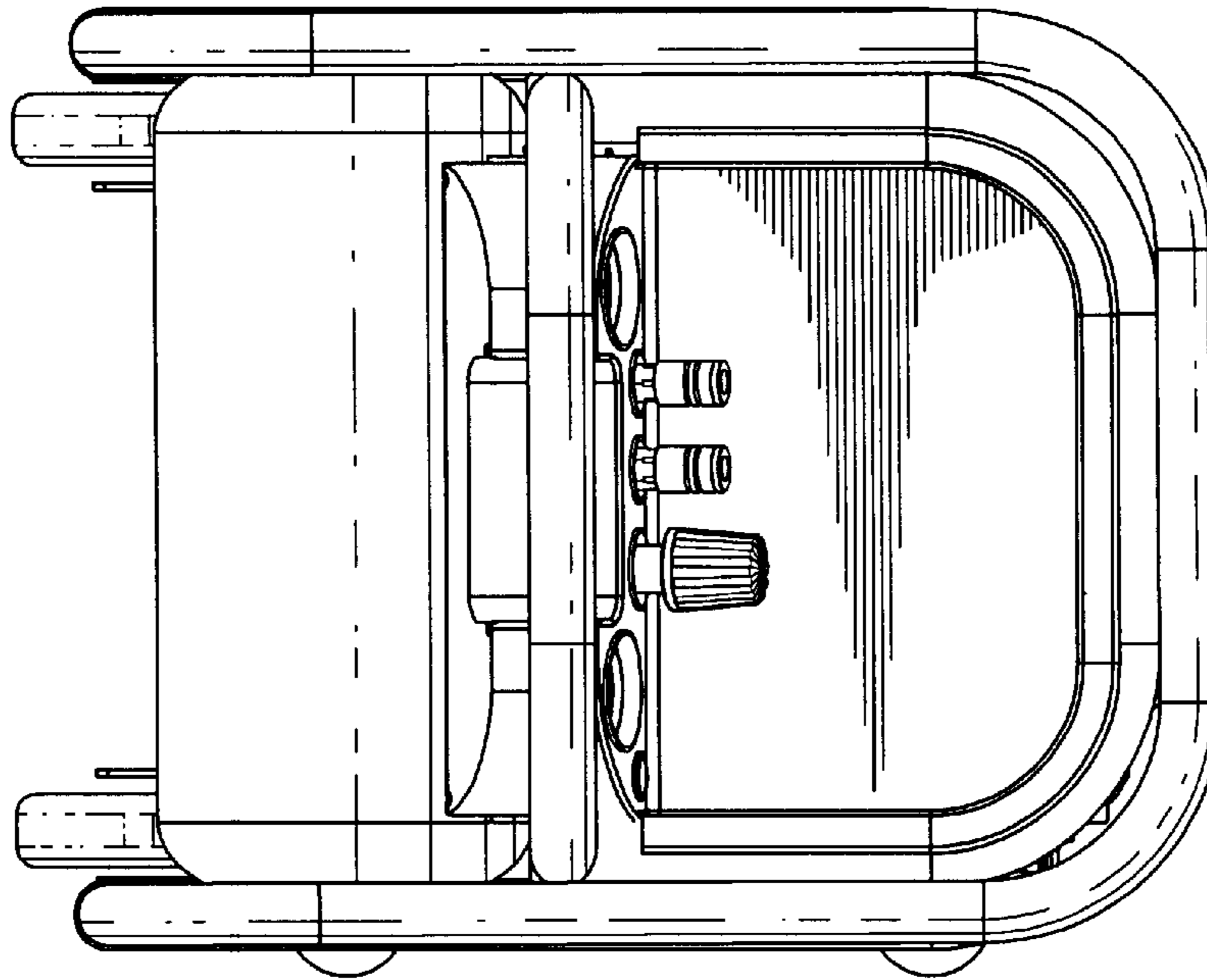


FIG. 7