



US00D513618S

(12) **United States Design Patent**
Bender

(10) **Patent No.:** **US D513,618 S**
(45) **Date of Patent:** **** Jan. 17, 2006**

(54) **AIR FLOW INLET**

(76) **Inventor:** **Lee Frederick Bender**, 207G Green
Cove Rd., Huntsville, AL (US) 35803

(**) **Term:** **14 Years**

(21) **Appl. No.:** **29/201,202**

(22) **Filed:** **Mar. 11, 2004**

(51) **LOC (8) Cl.** **15-01**

(52) **U.S. Cl.** **D15/5**

(58) **Field of Classification Search** **D15/1-5;**
123/561, 52 M, 559.2, 184.42, 184.61; **D12/194;**
60/602

See application file for complete search history.

(56) **References Cited**

U.S. PATENT DOCUMENTS

1,671,898	A	*	5/1928	Gingerich	123/184.42
4,592,329	A		6/1986	Yunick		
4,821,685	A		4/1989	Matsushima et al.		
4,901,681	A		2/1990	Pozniak et al.		
5,575,249	A		11/1996	Mielke et al.		
5,758,614	A		6/1998	Choi		
6,089,199	A		7/2000	Lohr et al.		
6,092,498	A		7/2000	Lohr et al.		
6,095,105	A		8/2000	Lohr et al.		
6,161,513	A		12/2000	Lohr et al.		
6,199,530	B1		3/2001	Brassell et al.		
6,234,131	B1		5/2001	Brassell et al.		
D453,773	S	*	2/2002	Garcia	D15/5
D453,774	S	*	2/2002	Garcia	D15/5
6,467,449	B2		10/2002	Brassell et al.		
6,474,318	B1		11/2002	Jones et al.		
6,510,833	B1		1/2003	Anthon		

6,553,955	B1	*	4/2003	Hada et al.	123/184.53
6,561,169	B2		5/2003	Sealy et al.		
6,571,780	B1		6/2003	Jones et al.		
6,637,396	B2		10/2003	Katayama		
6,637,397	B2		10/2003	Ward et al.		
6,675,756	B2		1/2004	Katayama		
6,786,044	B2	*	9/2004	Jones et al.	60/612
6,807,935	B2	*	10/2004	Pietrowski et al.	123/184.24
2002/0174847	A1		11/2002	Baumann et al.		
2002/0179030	A1		12/2002	Fiesel et al.		
2003/0010310	A1		1/2003	Pontoppidan		
2003/0010321	A1		1/2003	Rentschler et al.		
2003/0079707	A1		5/2003	Brassell et al.		
2003/0116116	A1		6/2003	Anton		
2003/0226535	A1		12/2003	Pietrowski et al.		
2005/0092278	A1	*	5/2005	Huang	123/184.21

* cited by examiner

Primary Examiner—Joel Sincavage
Assistant Examiner—Maurice Stevens

(57) **CLAIM**

An ornamental design for an air flow inlet, as shown and described.

DESCRIPTION

FIG. 1 is a bottom perspective view of the air flow inlet; FIG. 2 is top perspective view of the air flow inlet; FIG. 3 is a top plan view of the air flow inlet; FIG. 4 is a rear elevation view of the air flow inlet; FIG. 5 is a bottom plan view of the air flow inlet; FIG. 6 is a front plan view of the air flow inlet; FIG. 7 is a left perspective view of the air flow inlet; and, FIG. 8 is a right perspective view of the air flow inlet.

1 Claim, 4 Drawing Sheets

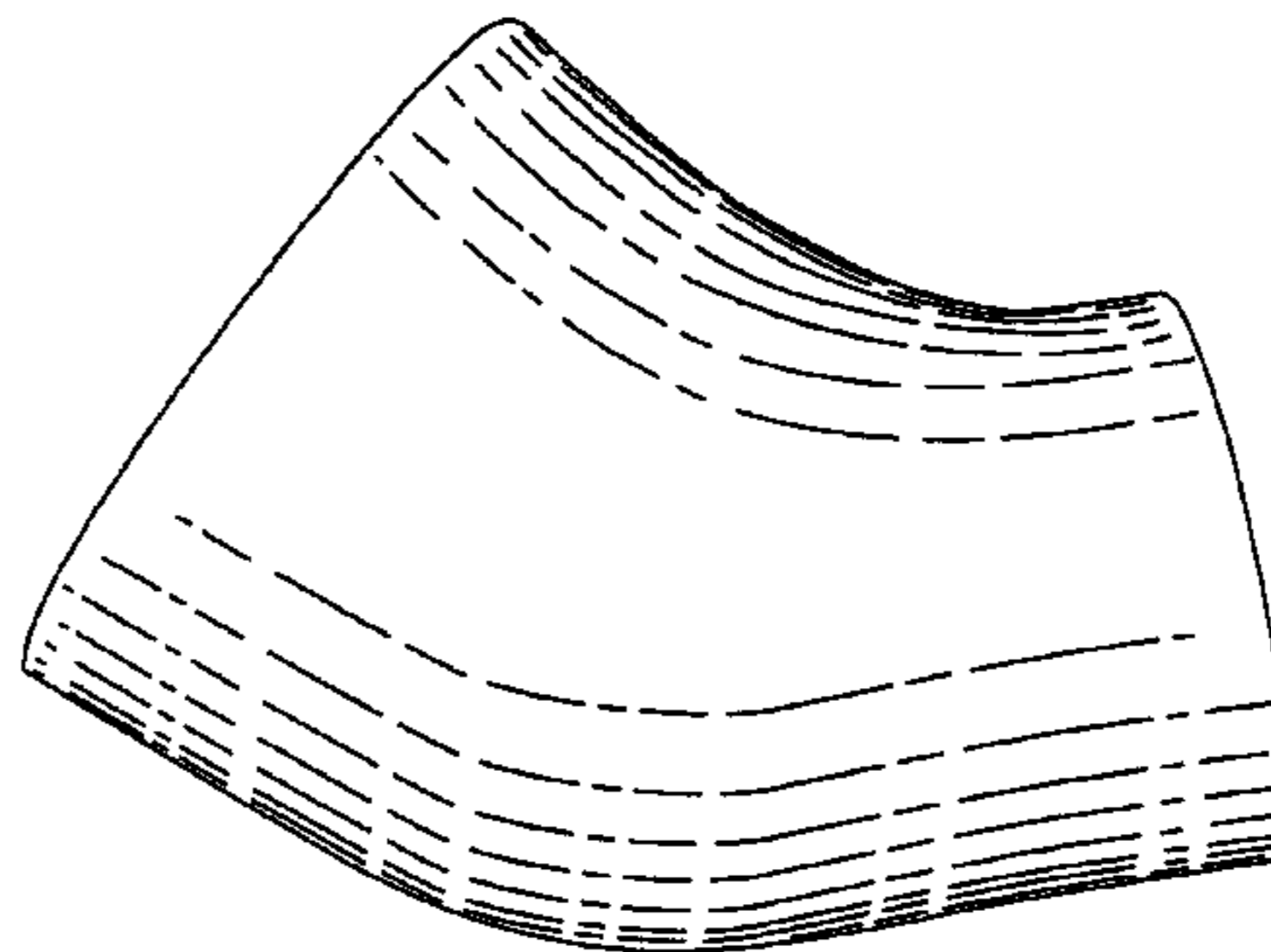
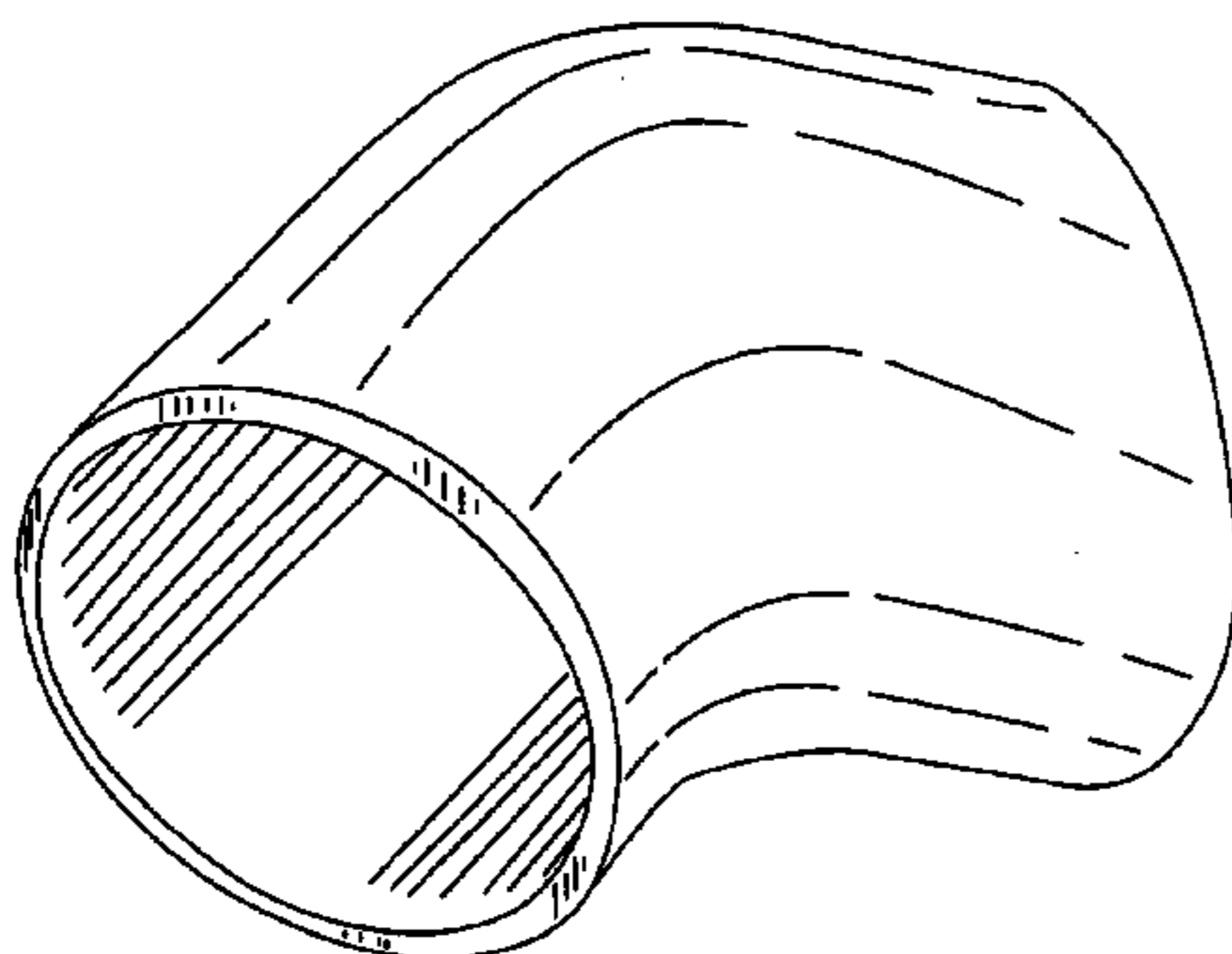
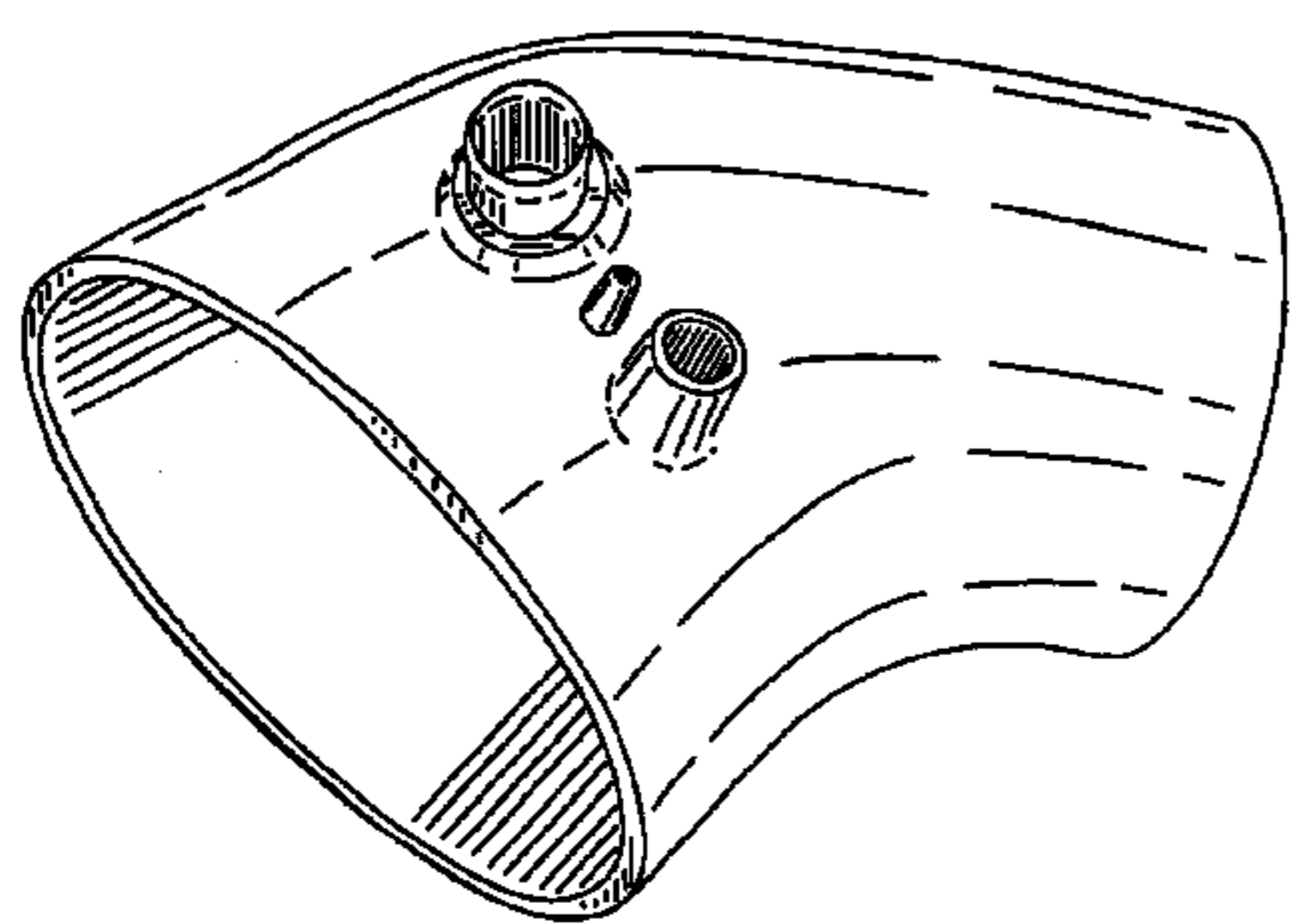


FIG. 1

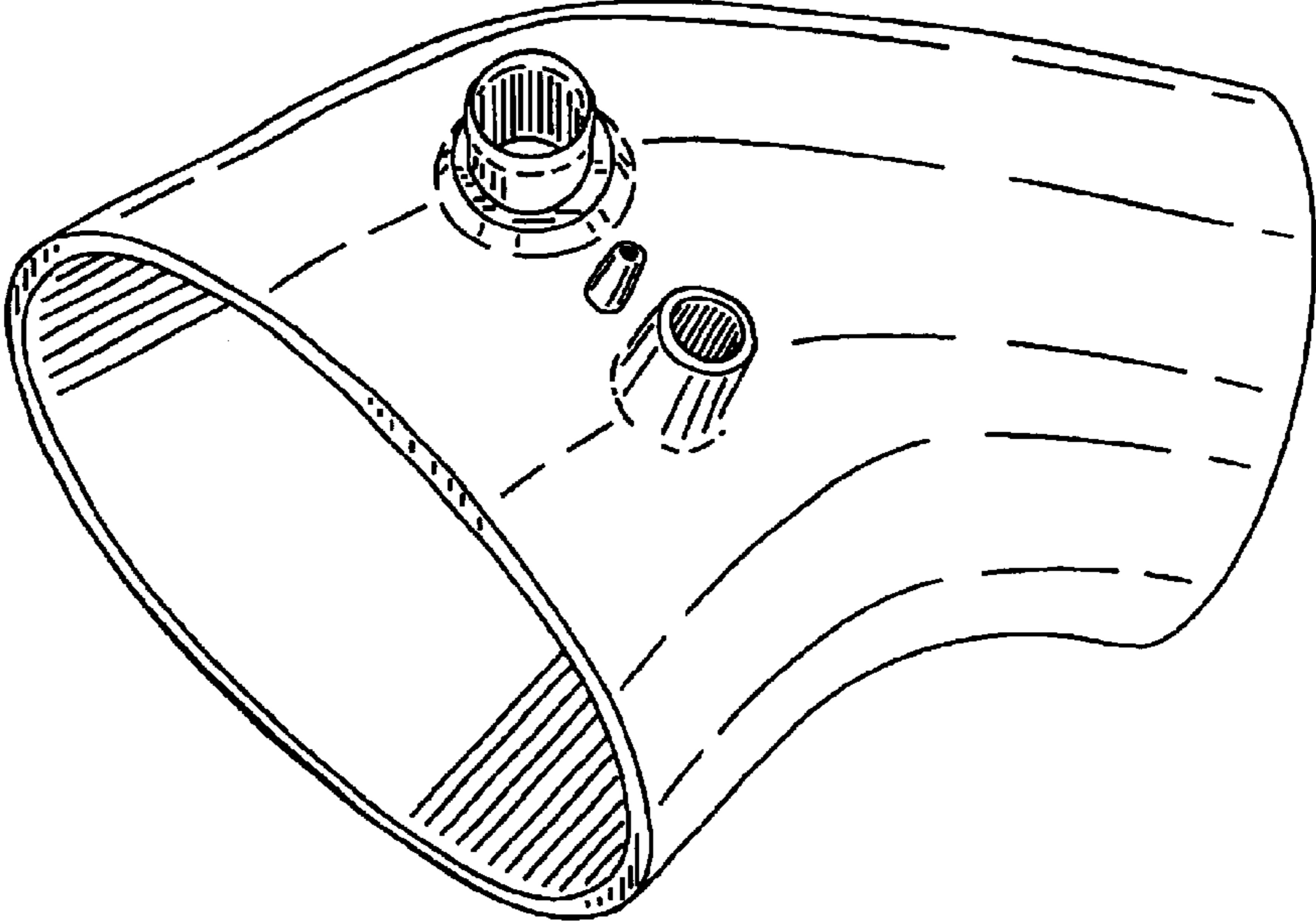


FIG. 2

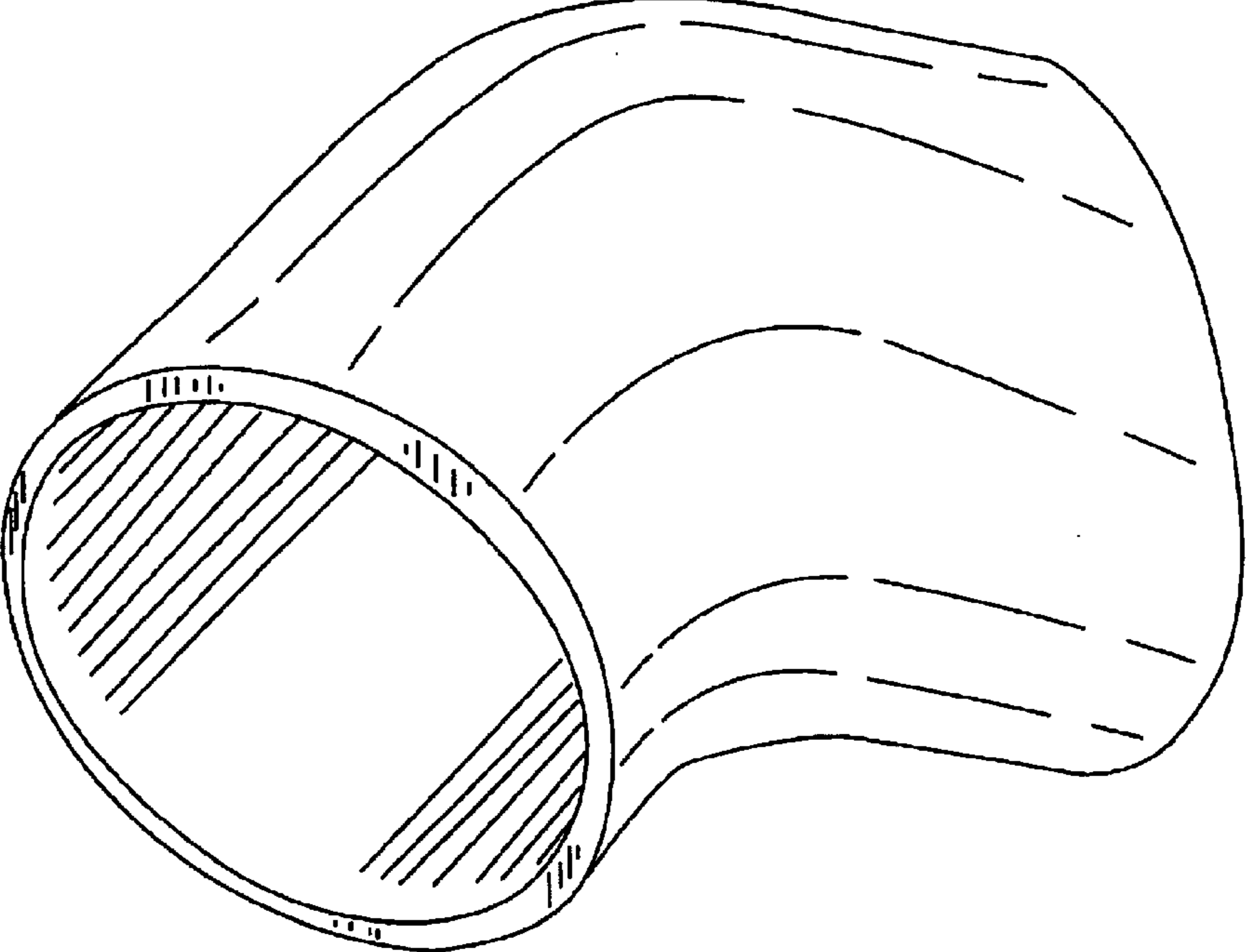


FIG. 3

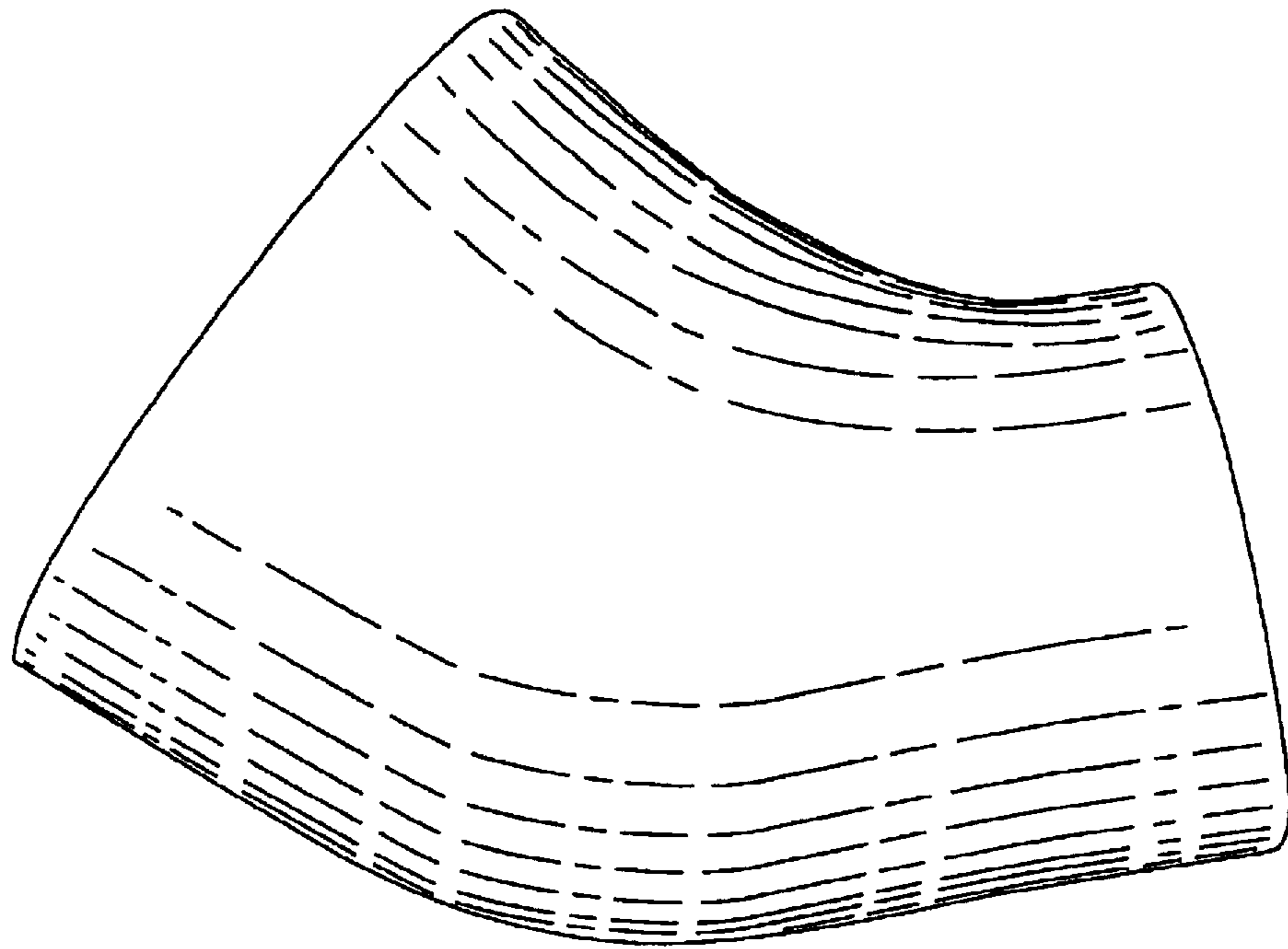


FIG. 4

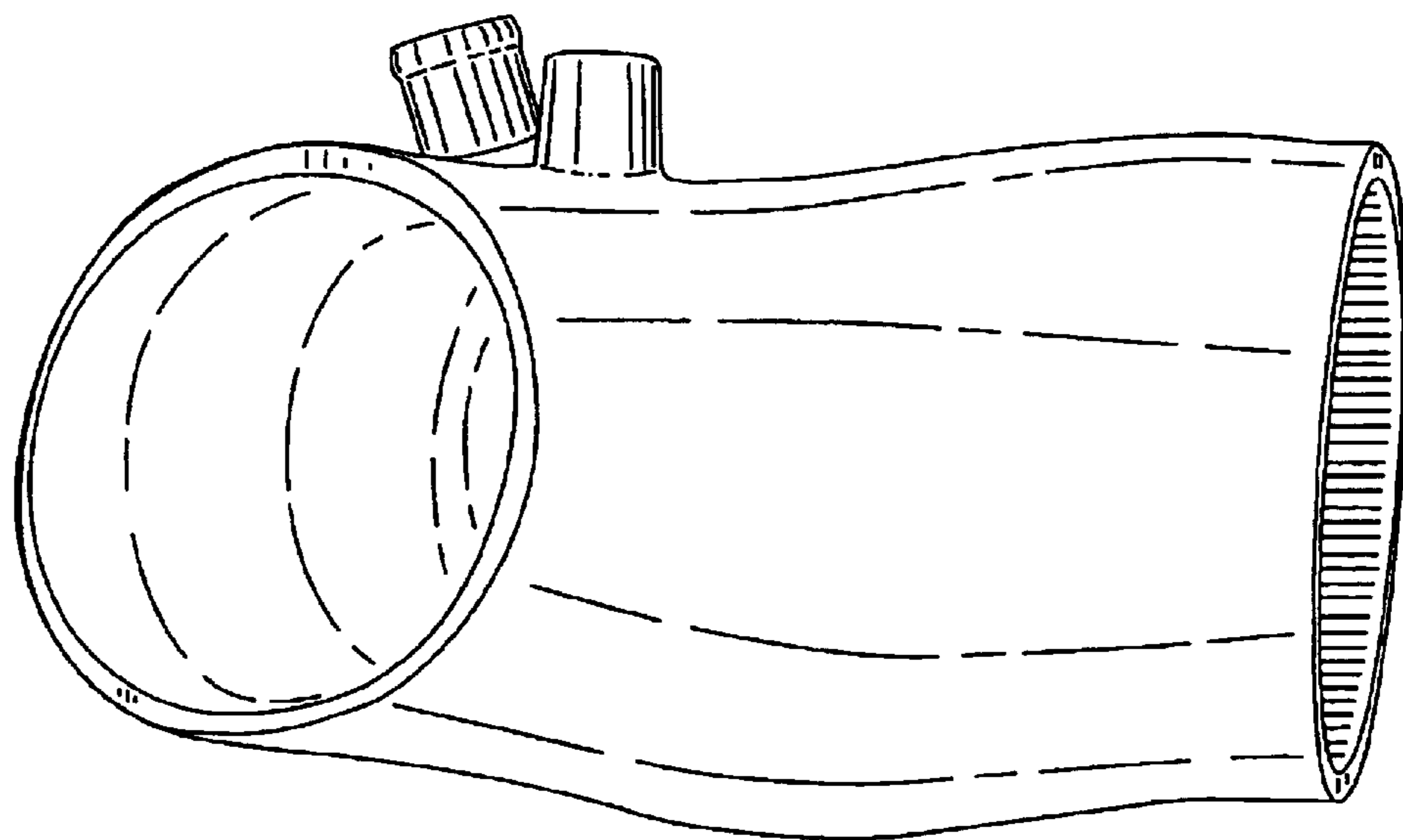


FIG. 5

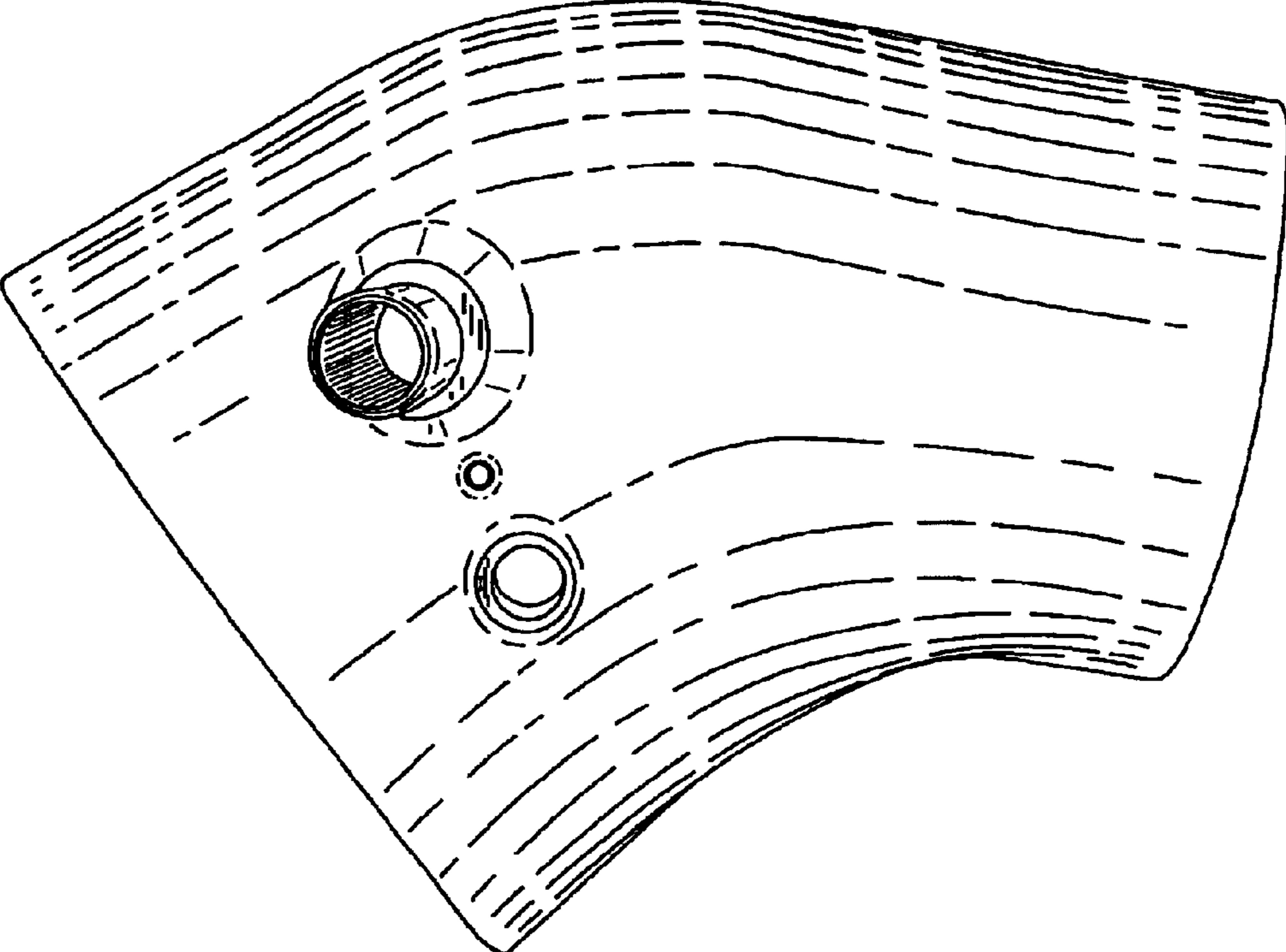


FIG. 6

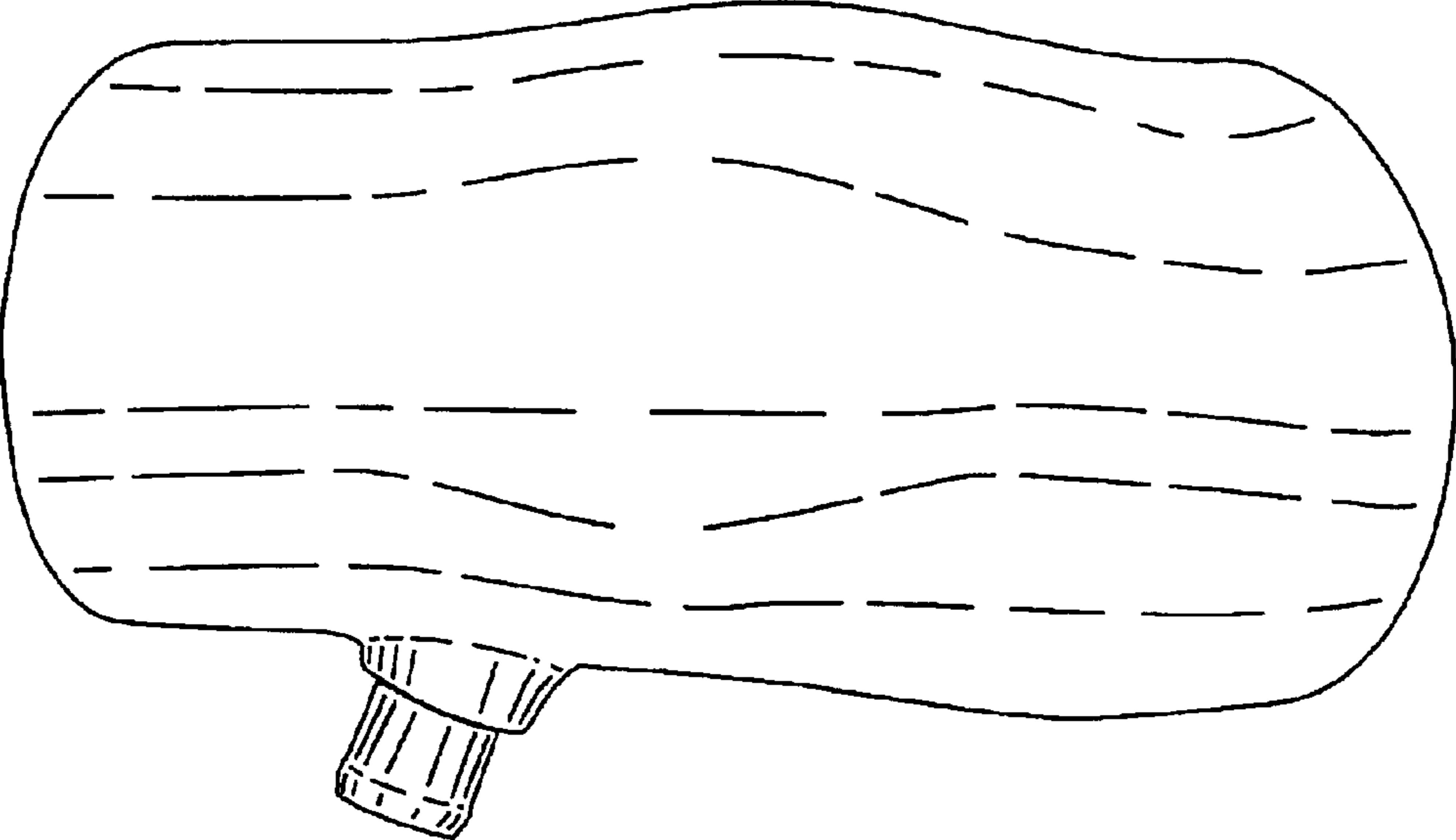


FIG. 7

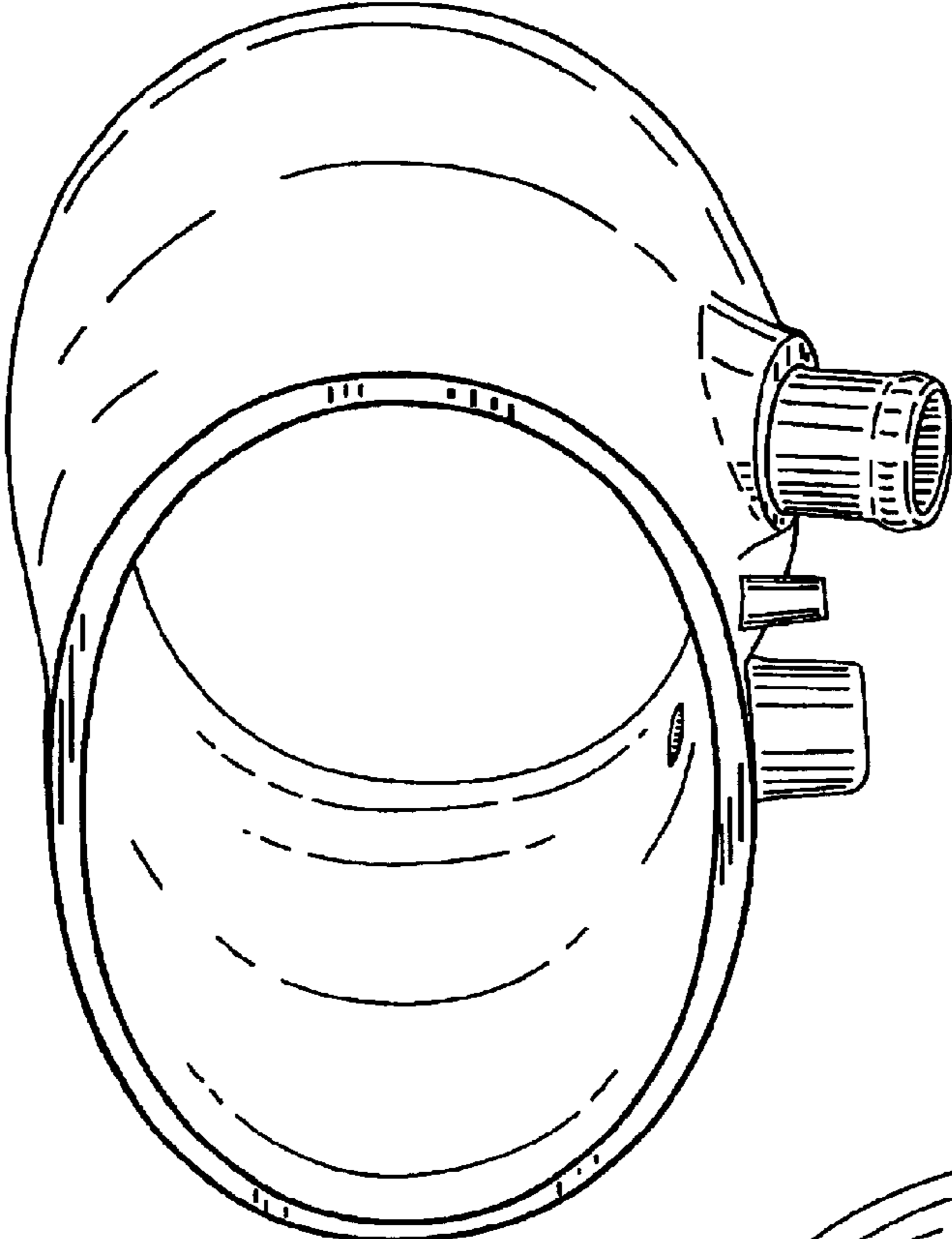


FIG. 8

