



US00D513612S

(12) **United States Design Patent**  
**Harris, Jr. et al.**

(10) **Patent No.:** **US D513,612 S**  
(45) **Date of Patent:** **\*\* Jan. 17, 2006**

(54) **ENTERTAINMENT SYSTEM**  
(75) **Inventors:** **Kenneth David Harris, Jr.**, Nashua, NH (US); **Rudy Woodard**, Boston, MA (US); **Tim Trzepacz**, Nashua, NH (US)

D430,550 S \* 9/2000 Nakajima et al. .... D14/156  
D431,547 S \* 10/2000 Mirone ..... D14/168  
D447,130 S \* 8/2001 Scott et al. .... D14/194  
D475,990 S \* 6/2003 Bhavnani ..... D14/197

\* cited by examiner

(73) **Assignee:** **Brookstone Purchasing, Inc.**, Merrimack, NH (US)

*Primary Examiner*—Nanda Bondade  
(74) *Attorney, Agent, or Firm*—Nixon Peabody LLP; Tim L. Brackett, Jr.; Andrea L. Hirst

(\*\*) **Term:** **14 Years**

(21) **Appl. No.:** **29/194,083**

(57) **CLAIM**

(22) **Filed:** **Nov. 19, 2003**

The ornamental design for an entertainment system, as shown and described.

(51) **LOC (8) Cl.** ..... **14-01**  
(52) **U.S. Cl.** ..... **D14/168**  
(58) **Field of Classification Search** ..... D14/204, D14/207, 209–216, 356, 156, 172, 168, 188, D14/194–198; 181/143–144, 147–148, 150, 181/157, 198–199, 151, 153; 381/300–302, 381/306, 333, 345, 361–364, 386–388, 332, 381/336

**DESCRIPTION**

See application file for complete search history.

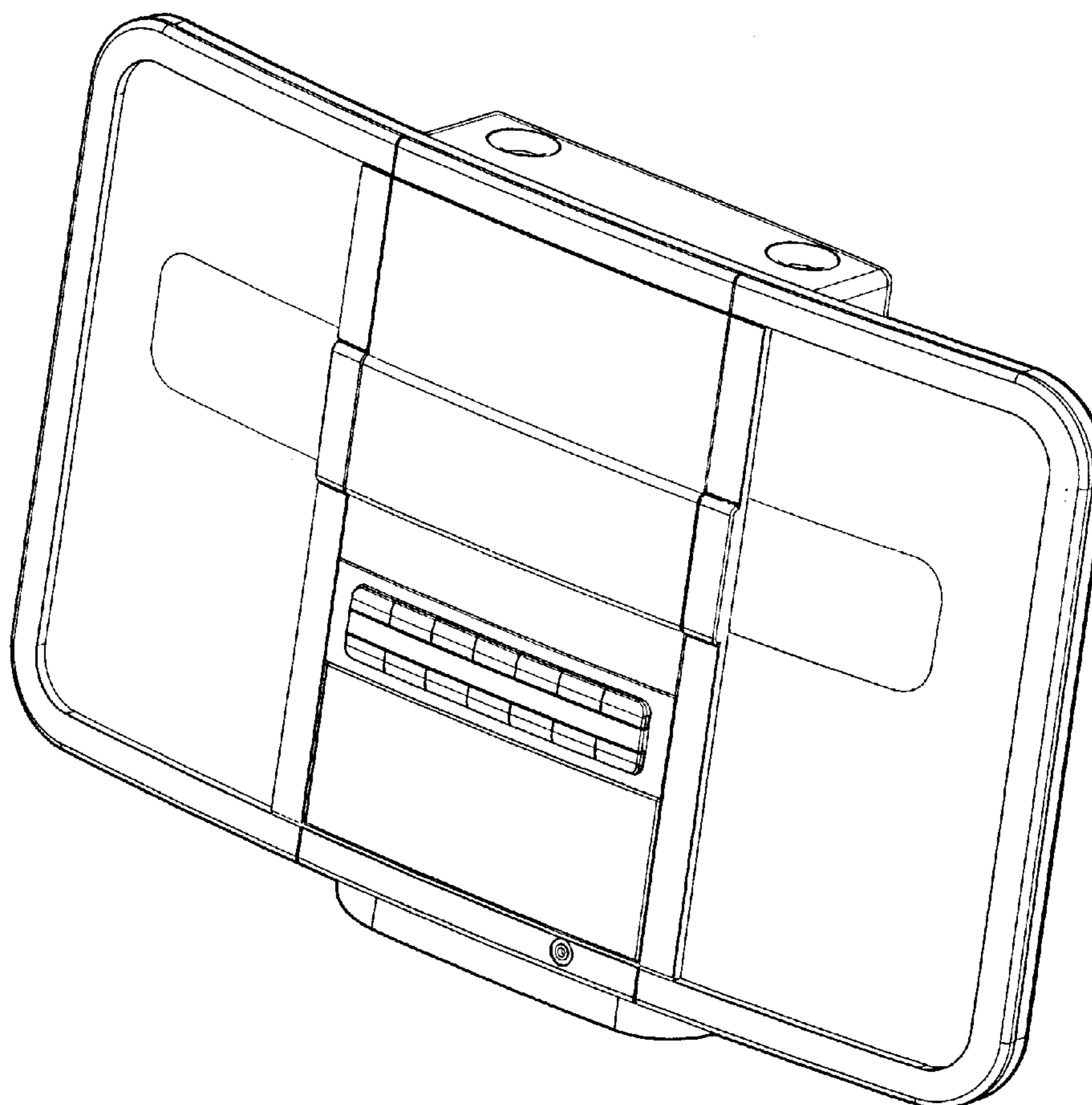
FIG. 1 is a front perspective view of an entertainment system showing our new design;  
FIG. 2 is front elevational view thereof;  
FIG. 3 is a rear elevational view thereof;  
FIG. 4 is a top plan view thereof;  
FIG. 5 is a bottom plan view thereof;  
FIG. 6 is a right side elevational view thereof; and,  
FIG. 7 is a left side elevational view thereof.

(56) **References Cited**

**U.S. PATENT DOCUMENTS**

D404,033 S \* 1/1999 Fong ..... D14/171

**1 Claim, 7 Drawing Sheets**



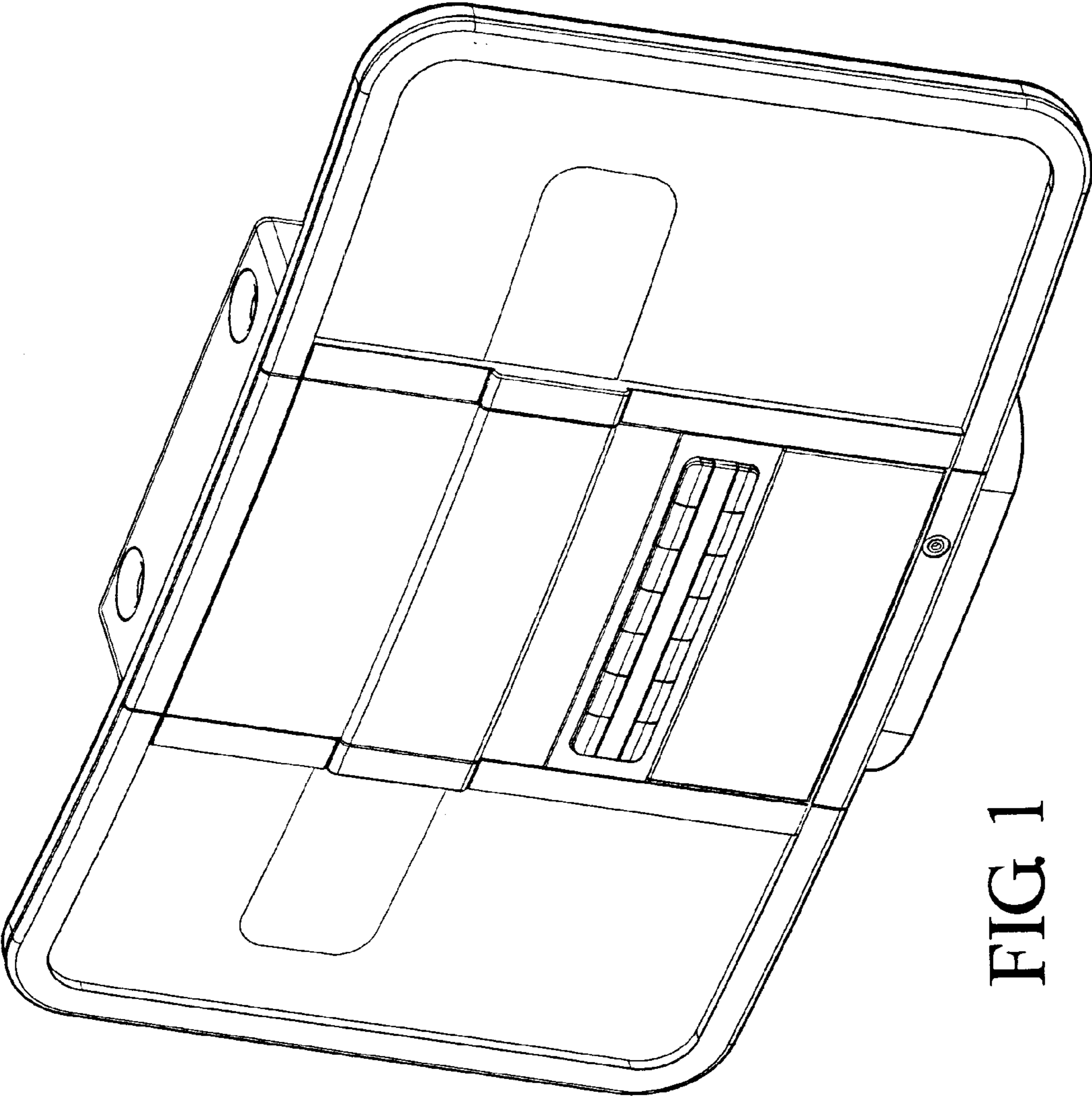


FIG 1

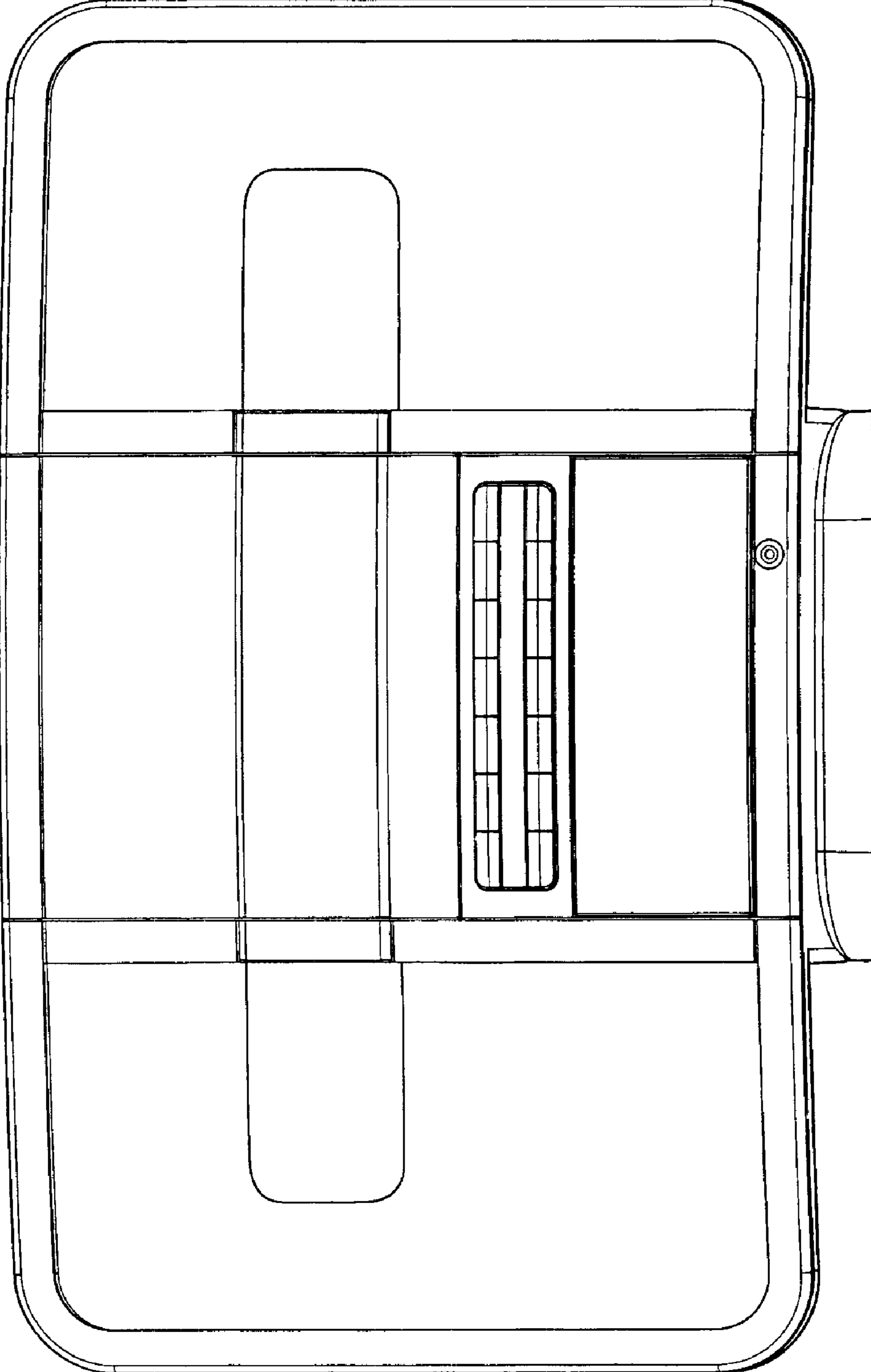


FIG. 2

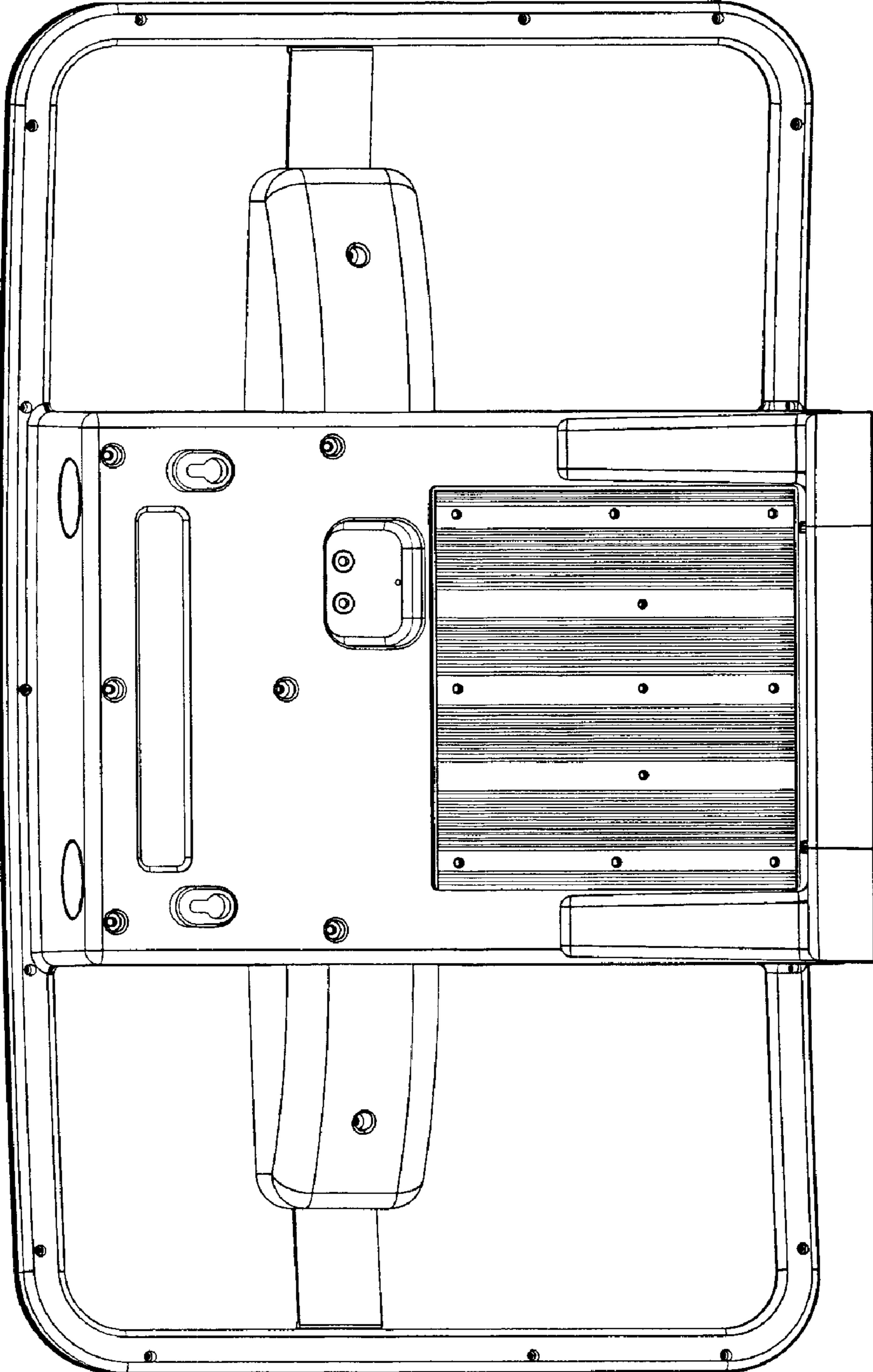


FIG 3

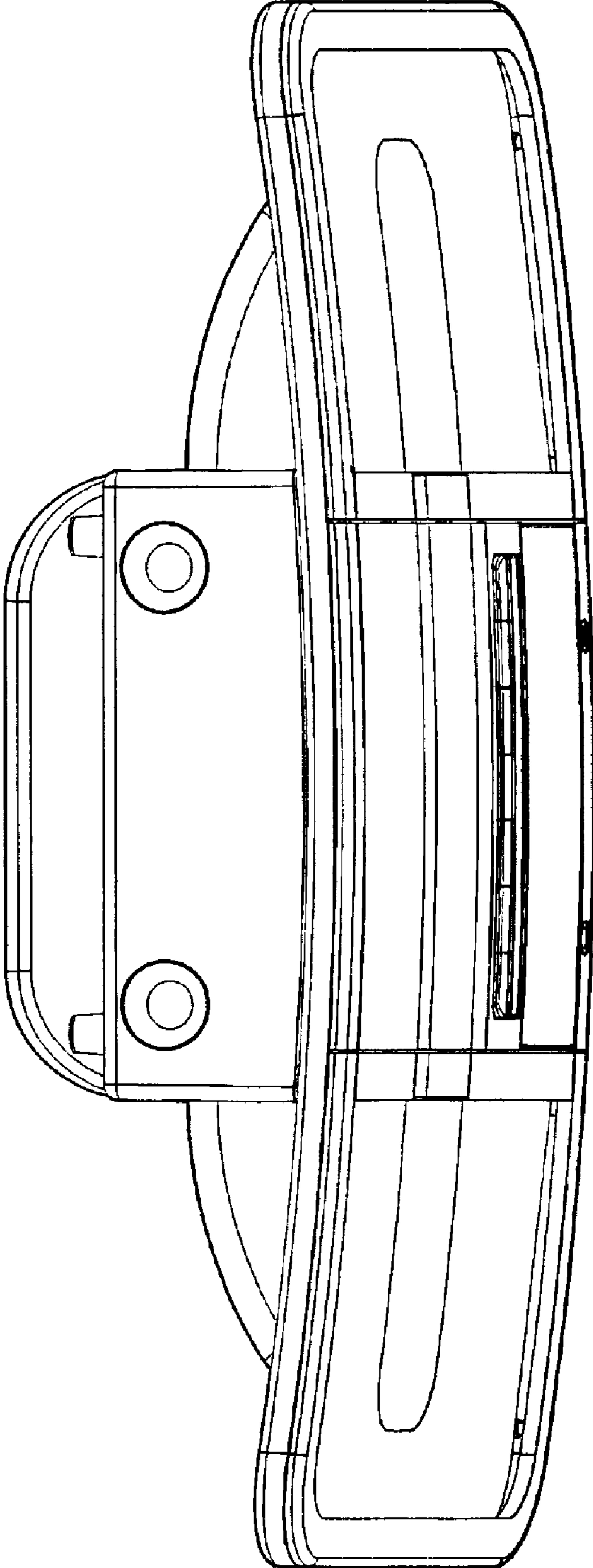


FIG 4

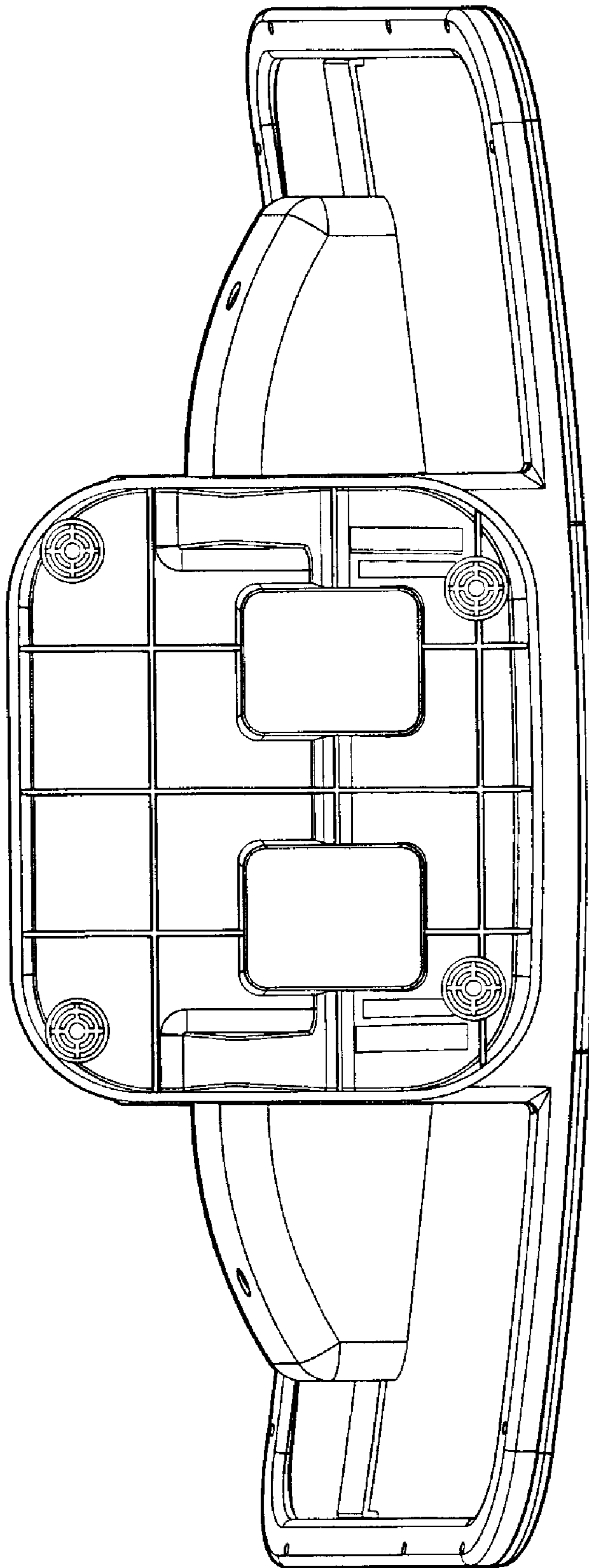


FIG 5

FIG 6

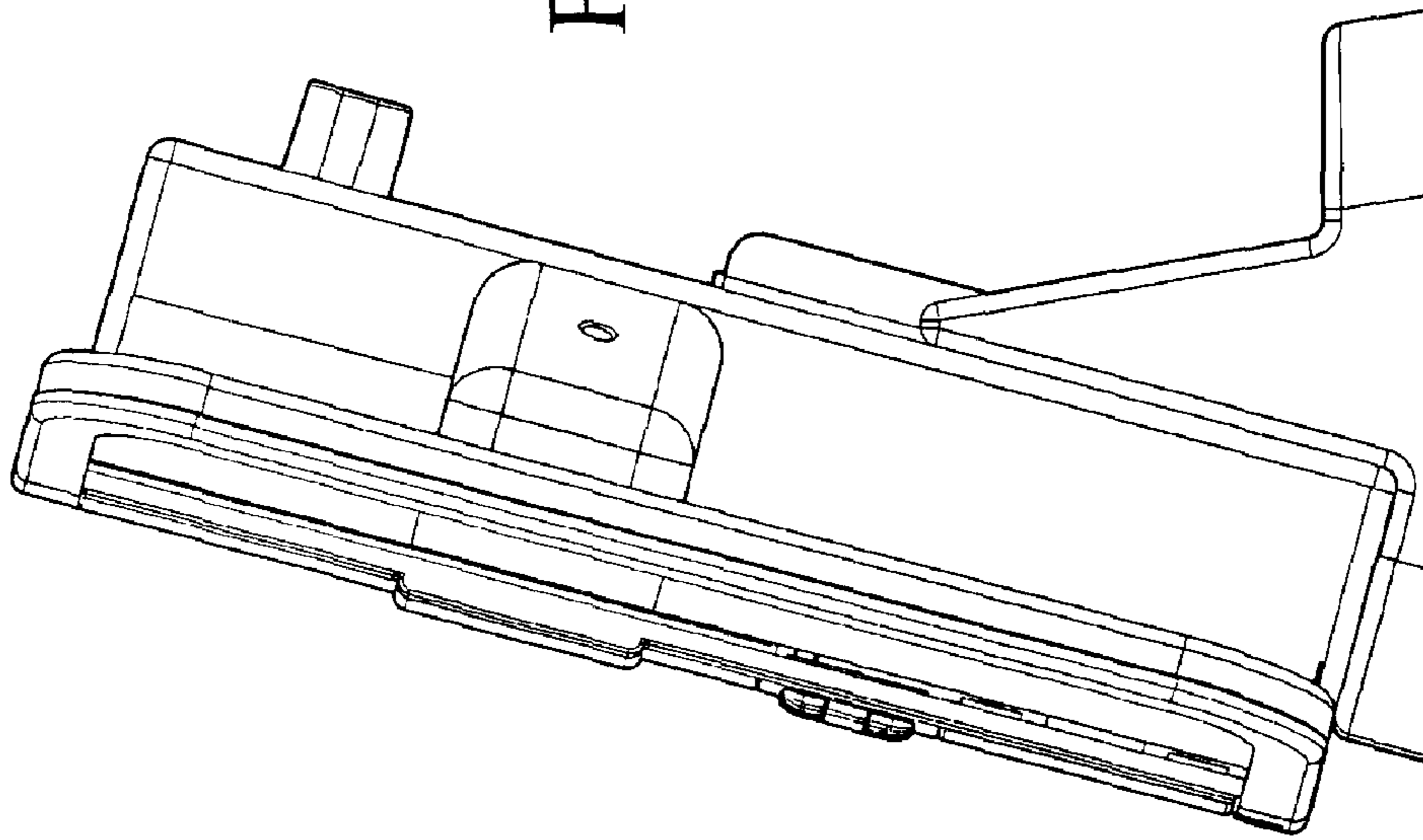


FIG 7

