



US00D513611S

(12) **United States Design Patent**
Hibi

(10) **Patent No.:** **US D513,611 S**
(45) **Date of Patent:** **** Jan. 17, 2006**

(54) **DISC PLAYER**

(75) Inventor: **Keita Hibi**, Tokyo (JP)

(73) Assignee: **Sony Corporation**, Tokyo (JP)

(**) Term: **14 Years**

(21) Appl. No.: **29/212,200**

(22) Filed: **Aug. 30, 2004**

(51) **LOC (8) Cl.** **14-01**

(52) **U.S. Cl.** **D14/156**

(58) **Field of Classification Search** D14/135-136,
D14/156-157, 160-165, 167-168, 192-198,
D14/188, 217, 257, 496; 360/99.02, 99.07;
369/75.11, 75.21, 77.21, 77.11; 720/612,
720/619, 647, 655; 455/344, 347-351

See application file for complete search history.

(56) **References Cited**

U.S. PATENT DOCUMENTS

- D322,068 S * 12/1991 Yamakawa D14/168
- D416,896 S * 11/1999 Ogasawara D14/156
- D435,533 S 12/2000 Hayashi
- D439,229 S 3/2001 Ishibashi
- D469,109 S * 1/2003 Andre et al. D14/496
- D489,052 S * 4/2004 Shiraki et al. D14/156

OTHER PUBLICATIONS

Web page “iPod Win, Mac Bilateral 15 GB [M9460J/A]”
www.yodobashi.com, 1 sheet, Yodobashi Camera (Jun.
2004).

Web page “lhp-120-M” www.yodobashi.com, 1 sheet,
Yodobashi Camera (Jun. 2004).

Web page “VGF-AP1 VAIO pocket portable music player”
www.yodobashi.com, 1 sheet, Yodobashi Camera (Jun.
2004).

Web page “PCVA-HVP20” www.yodobashi.com, 1 sheet,
Yodobashi Camera (Jun. 2004).

* cited by examiner

Primary Examiner—Nanda Bondade

(74) *Attorney, Agent, or Firm*—Rader, Fishman & Grauer
PLLC

(57) **CLAIM**

The ornamental design for a disc player, as shown.

DESCRIPTION

FIG. 1 is a perspective view of a disc player showing my
new design;

FIG. 2 is a front elevational view thereof;

FIG. 3 is a rear elevational view thereof;

FIG. 4 is a left side elevational view thereof;

FIG. 5 is a right side elevational view thereof;

FIG. 6 is a top plan view thereof; and,

FIG. 7 is a bottom plan view thereof.

1 Claim, 4 Drawing Sheets

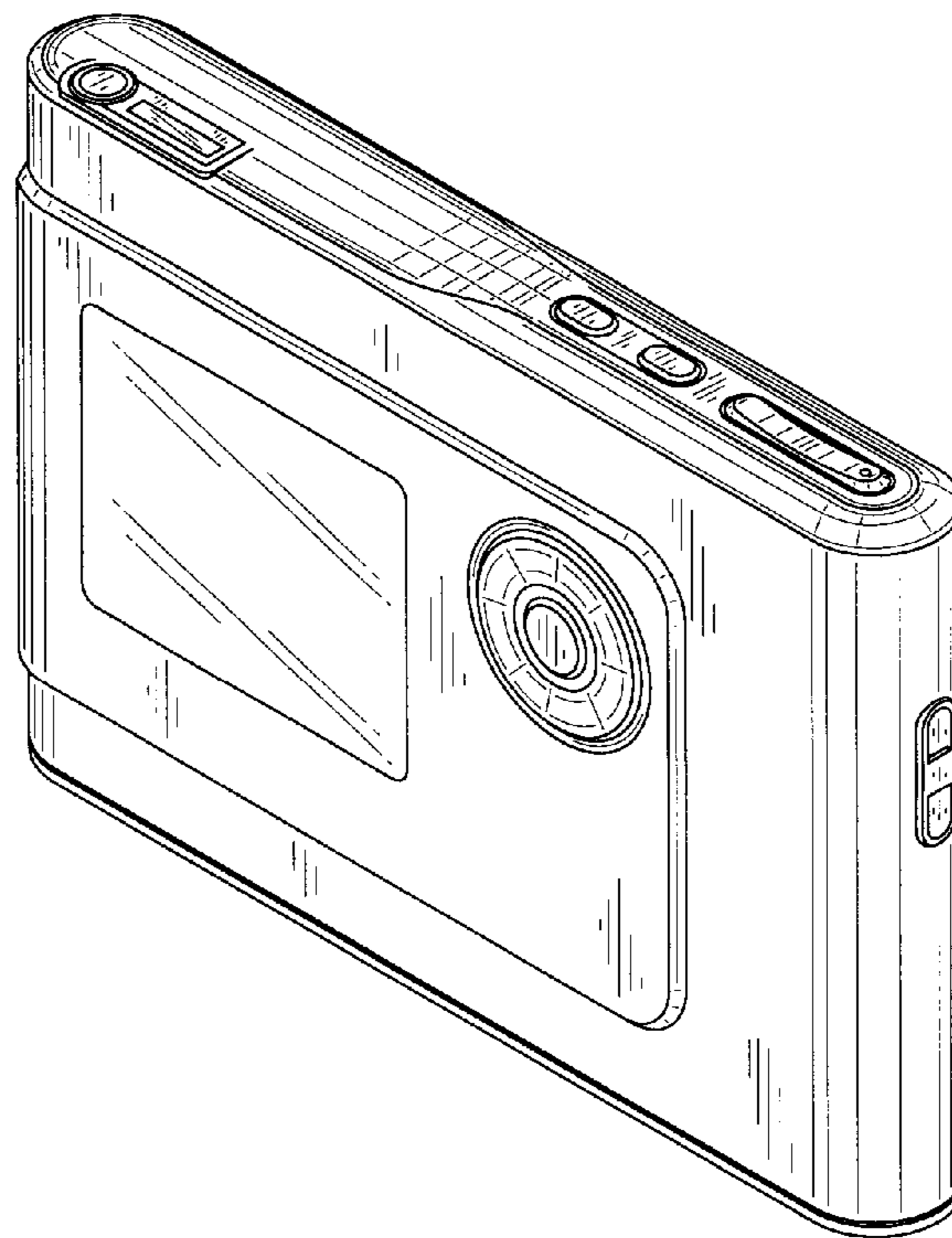


Fig. 1

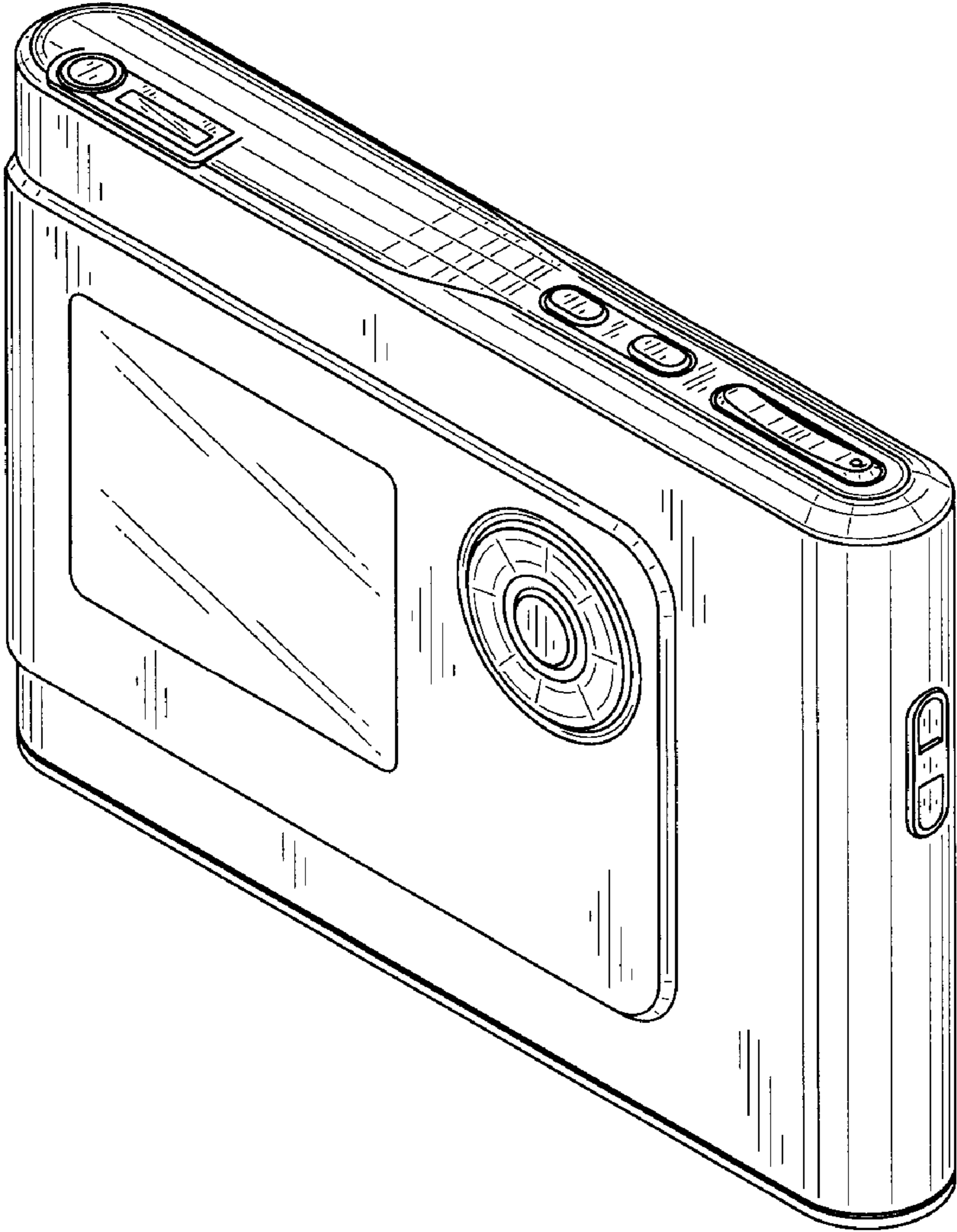


Fig.2

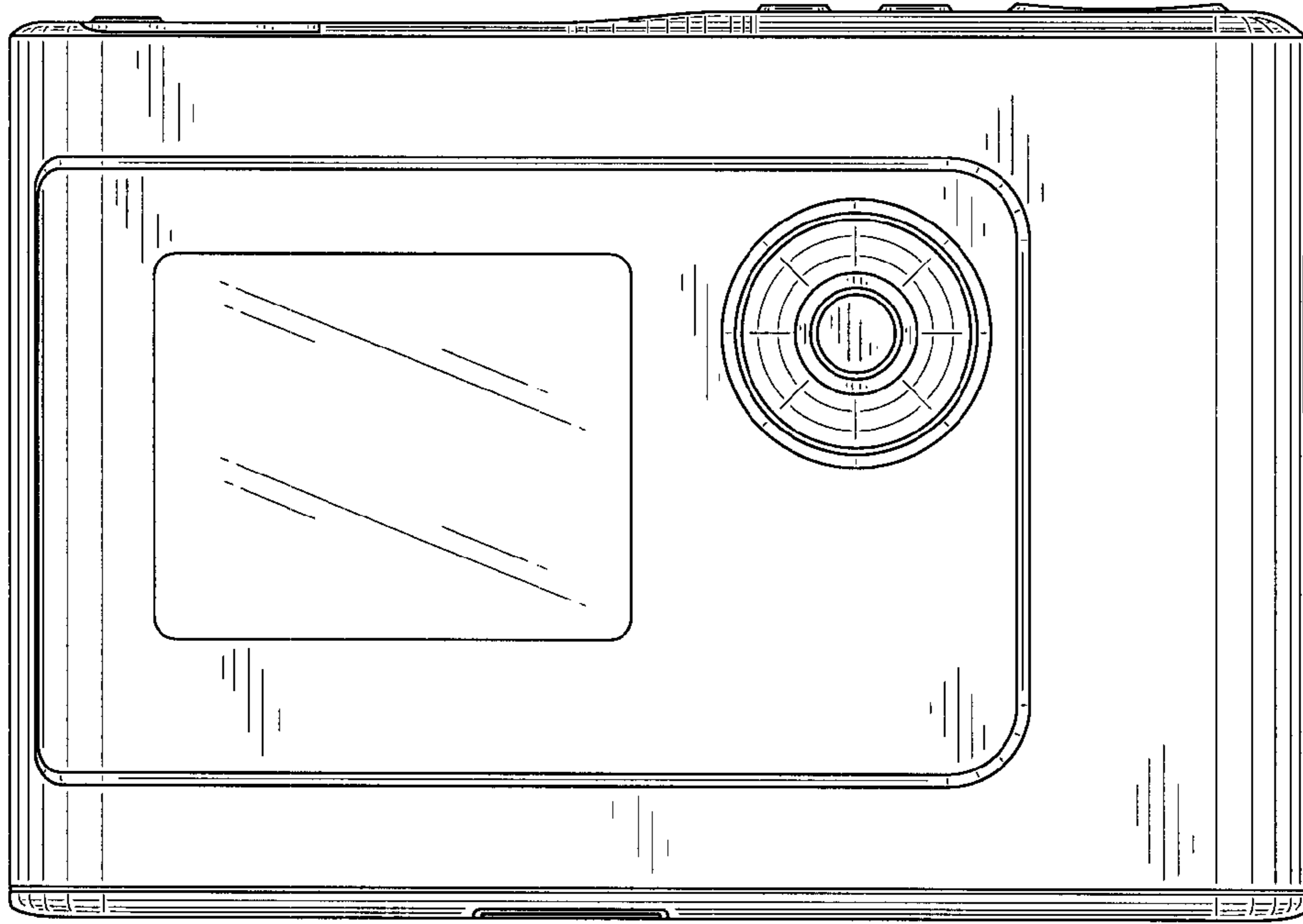


Fig.3

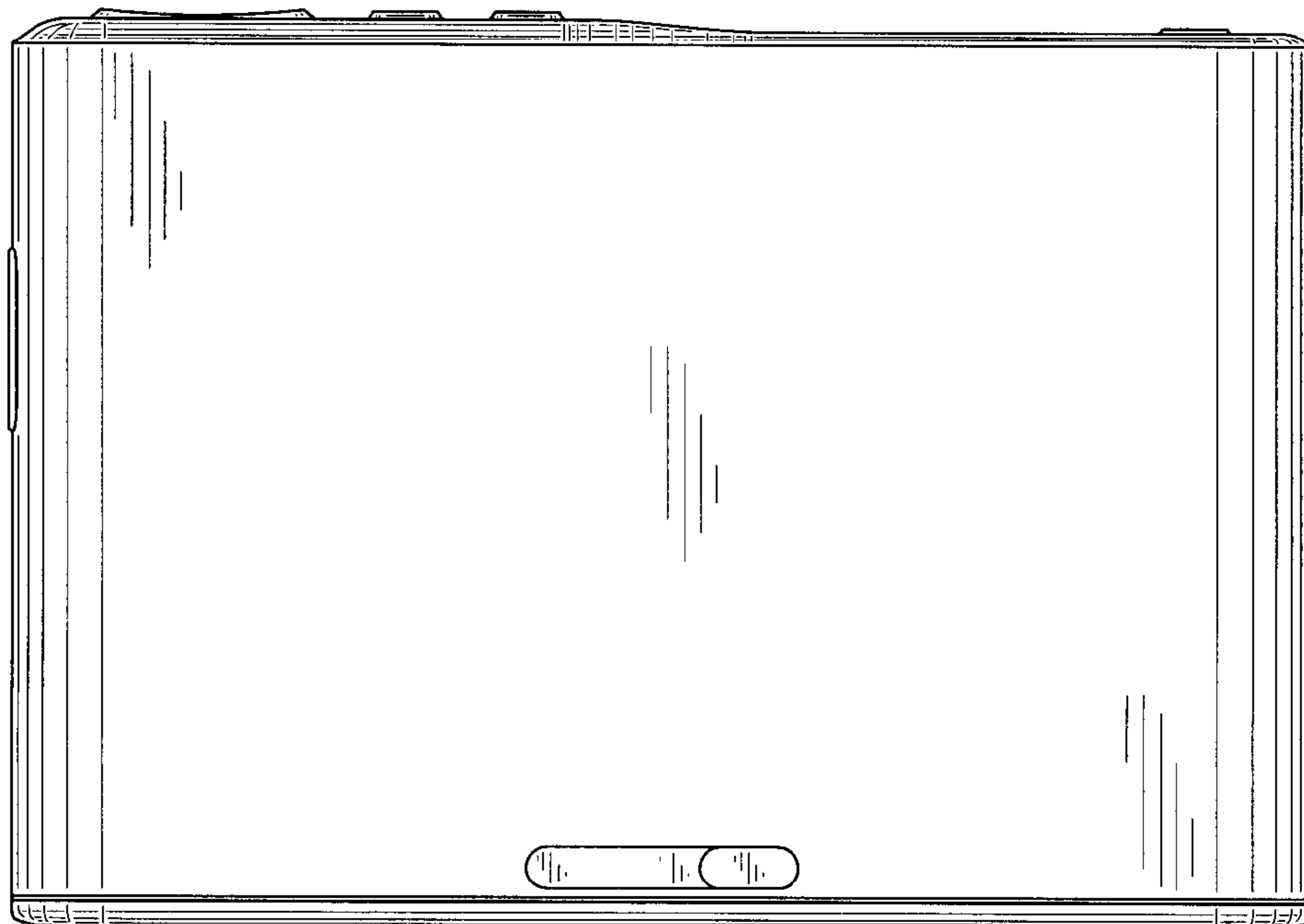


Fig.4

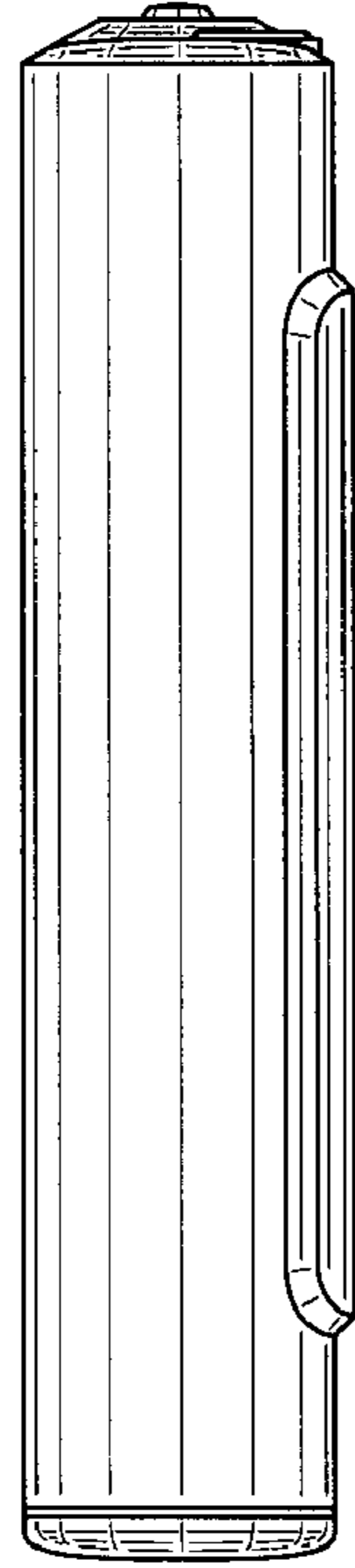


Fig.5

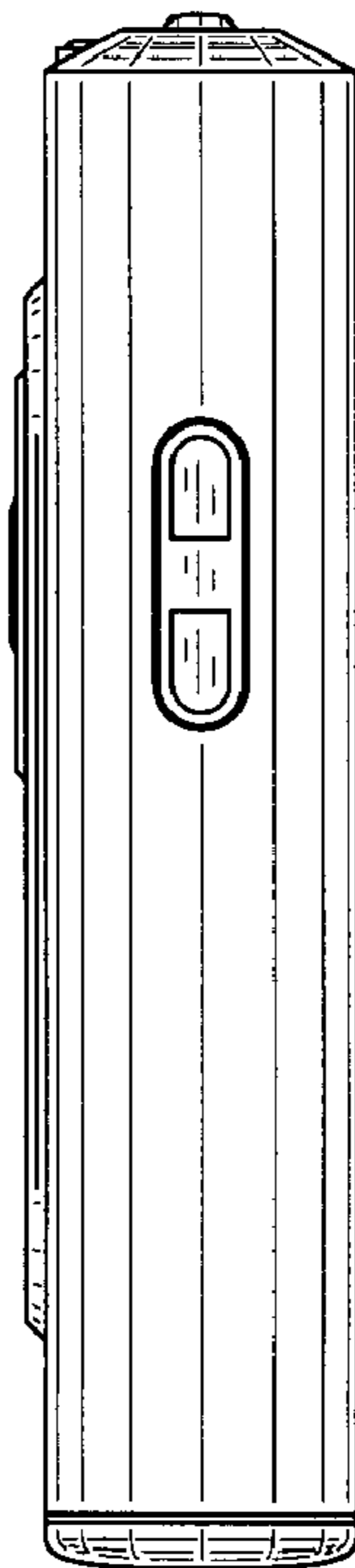


Fig.6

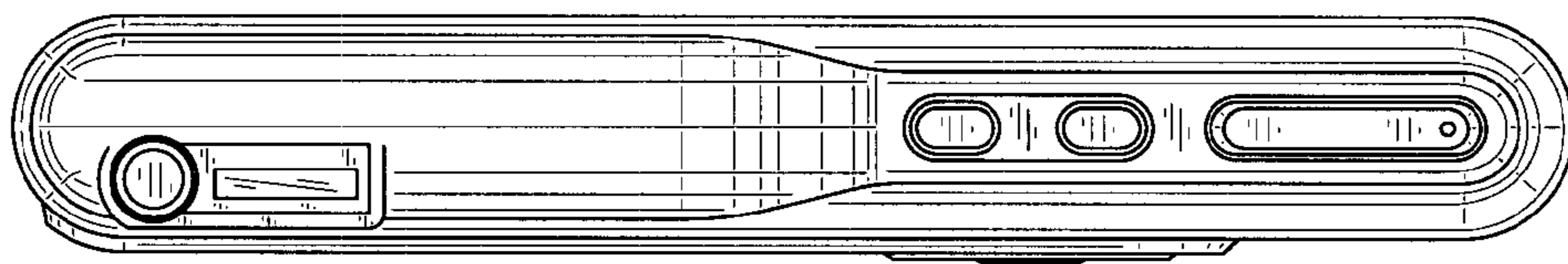


Fig.7

