



US00D513609S

(12) **United States Design Patent**
Nishii et al.

(10) **Patent No.:** **US D513,609 S**
(45) **Date of Patent:** **** Jan. 17, 2006**

(54) **TELEVISION RECEIVER FOR AN
AUTOMOBILE**

(75) Inventors: **Hiroki Nishii**, Sagamihara (JP);
Hiroyuki Mizokawa, Yokohama (JP);
Toshiyuki Itabashi, Yokohama (JP)

(73) Assignee: **Matsushita Electric Industrial Co.,
Ltd.**, Osaka (JP)

(**) Term: **14 Years**

(21) Appl. No.: **29/210,062**

(22) Filed: **Jul. 26, 2004**

(30) **Foreign Application Priority Data**

May 6, 2004 (JP) 2004-013394

(51) **LOC (8) Cl.** **14-03**

(52) **U.S. Cl.** **D14/132**

(58) **Field of Classification Search** D14/125-136,
D14/239, 371, 374-376; 312/7.2; 348/836-837,
348/838, 180, 184, 325, 739; 361/681; 341/12;
341/248/917-924; 345/104, 133, 156, 168,
345/87, 173; 353/74; 340/700, 461; D12/415-418,
D12/345; D21/329, 515

See application file for complete search history.

(56) **References Cited**

U.S. PATENT DOCUMENTS

4,983,951 A 1/1991 Igarashi et al.
5,161,028 A 11/1992 Kawata et al.
5,173,686 A 12/1992 Fujihara
D391,251 S 2/1998 Yuyama et al.

6,011,685 A * 1/2000 Otsuki 361/681
D450,678 S 11/2001 Mizokawa et al.
D454,122 S 3/2002 Hori et al.
D457,504 S 5/2002 Hori et al.
D468,285 S 1/2003 Mizokawa
D475,690 S 6/2003 Nose et al.
D475,691 S 6/2003 Nishii et al.
D482,669 S 11/2003 Hori et al.

* cited by examiner

Primary Examiner—Raphael Barkai

(74) *Attorney, Agent, or Firm*—Brinks Hofer Gilson &
Lione

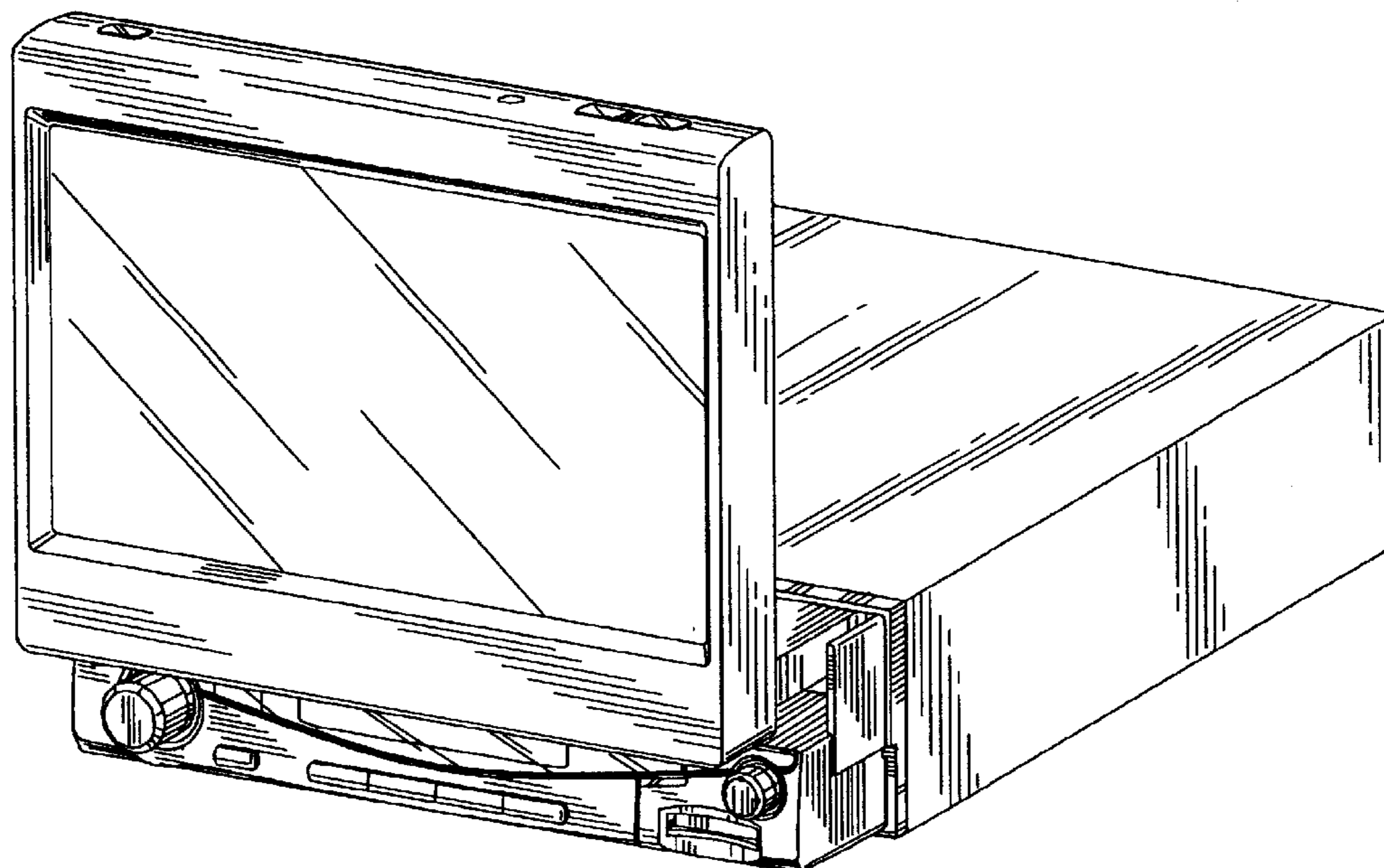
(57) **CLAIM**

We claim the ornamental design for a television receiver for
an automobile, as shown and described.

DESCRIPTION

FIG. 1 is a front view of a television receiver for an
automobile of the present invention, wherein the television
receiver is in an open position;
FIG. 2 is a first side view thereof;
FIG. 3 is a second side view thereof;
FIG. 4 is a top view thereof;
FIG. 5 is a bottom view thereof;
FIG. 6 is a top perspective view thereof; and,
FIG. 7 is a top perspective view of the television receiver for
an automobile of the present invention, wherein the televi-
sion receiver is in a closed position.
The rear view has been omitted and forms no part of the
claimed design.

1 Claim, 5 Drawing Sheets



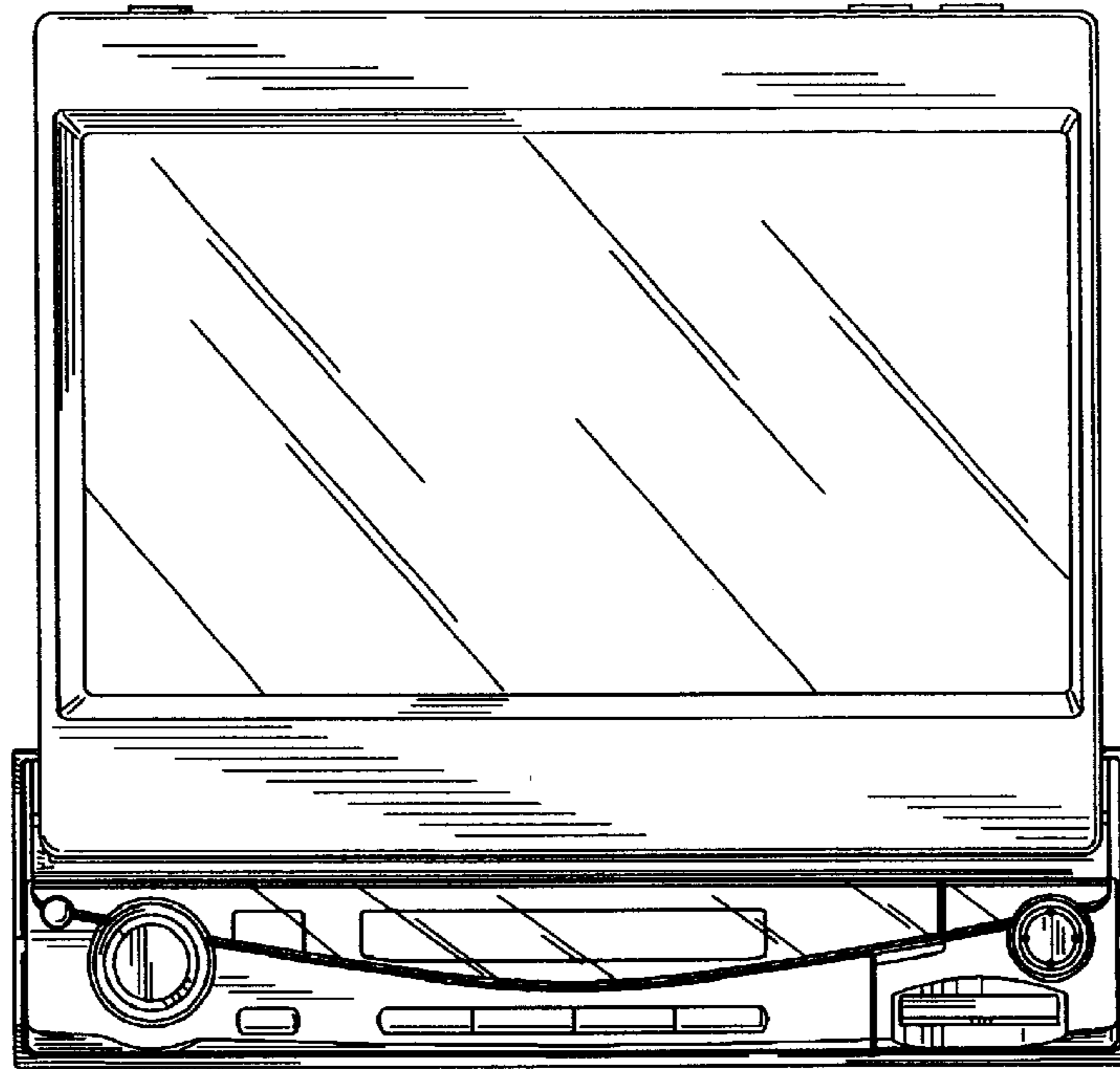


FIG. 1

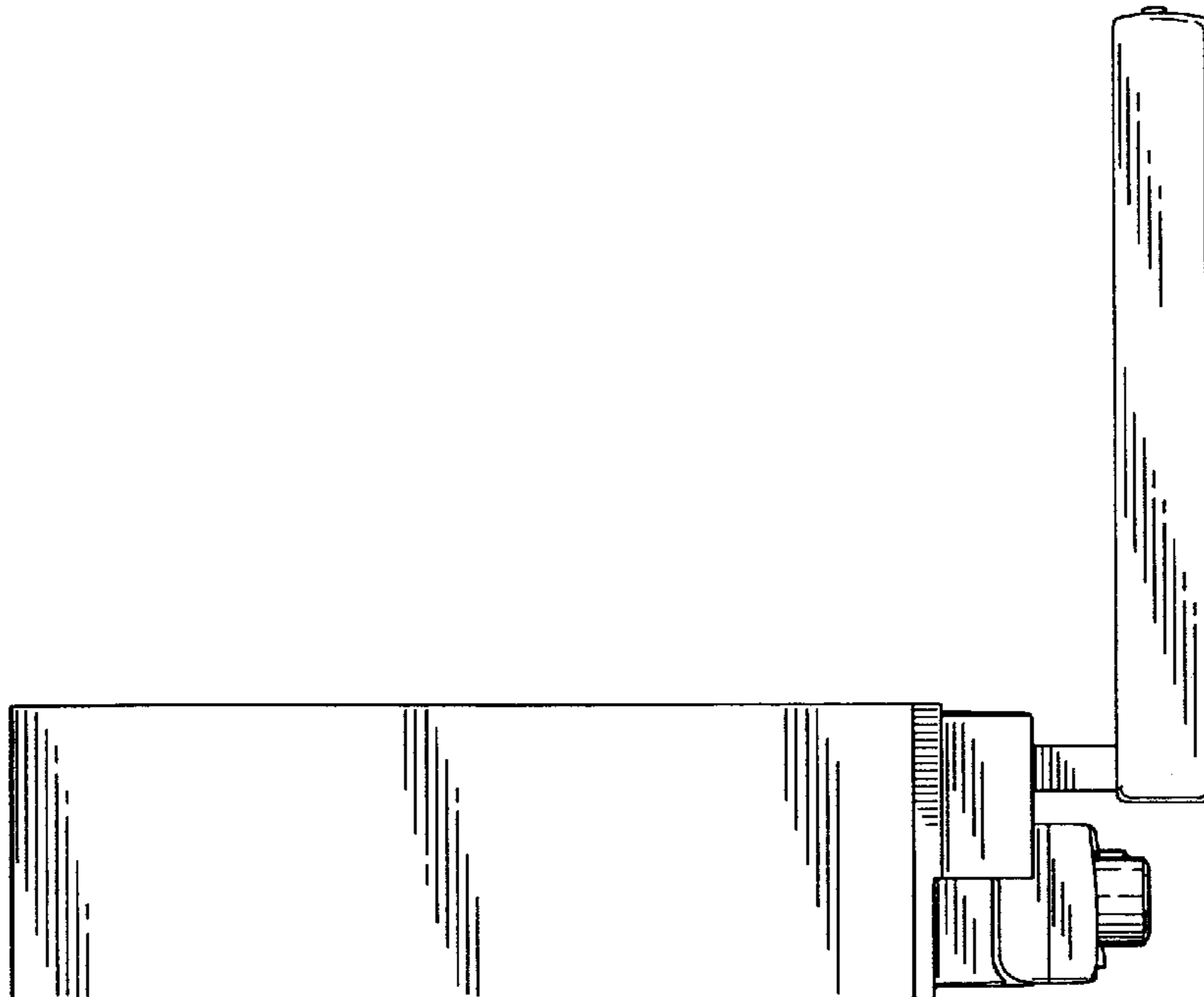


FIG. 2

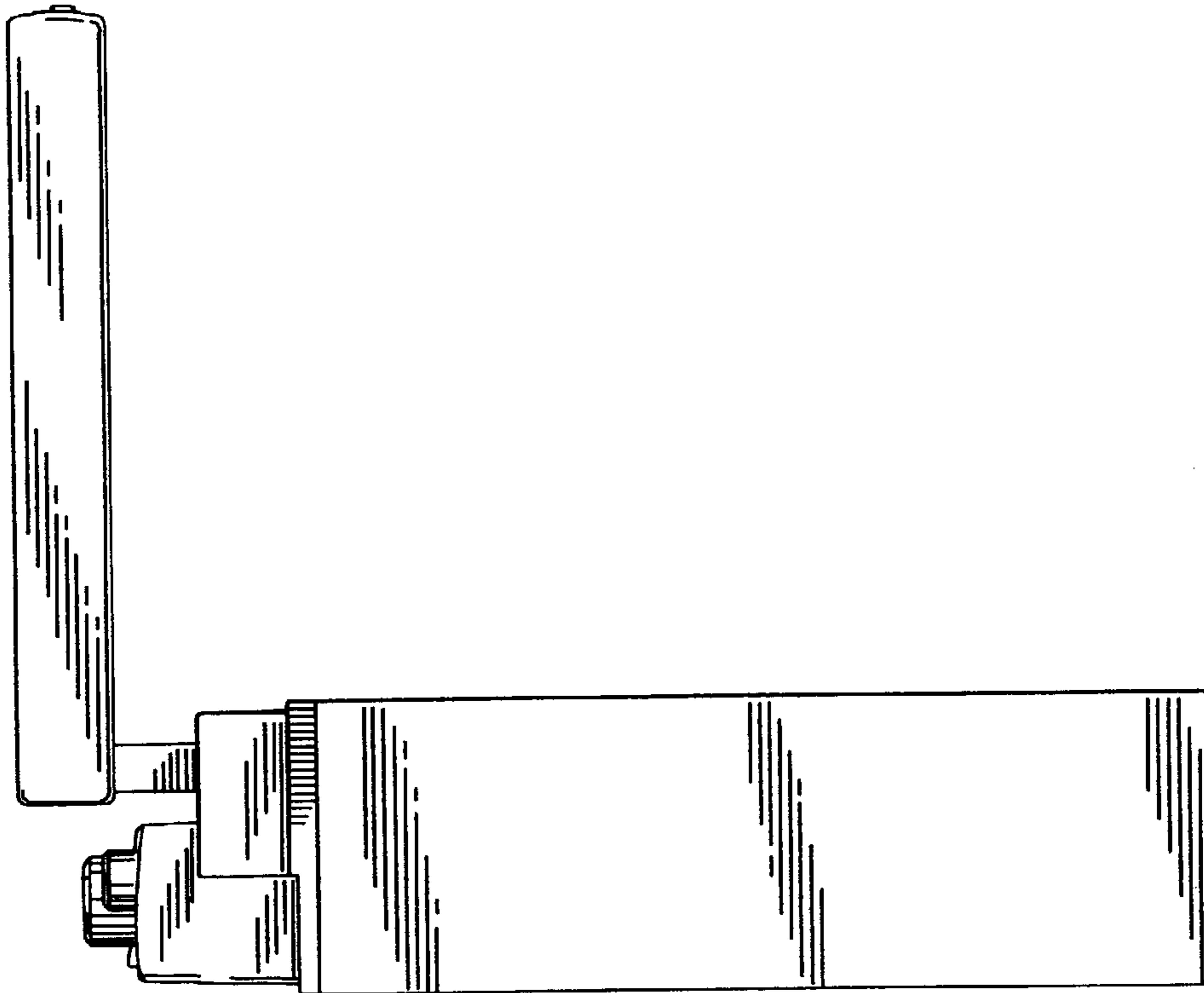


FIG. 3

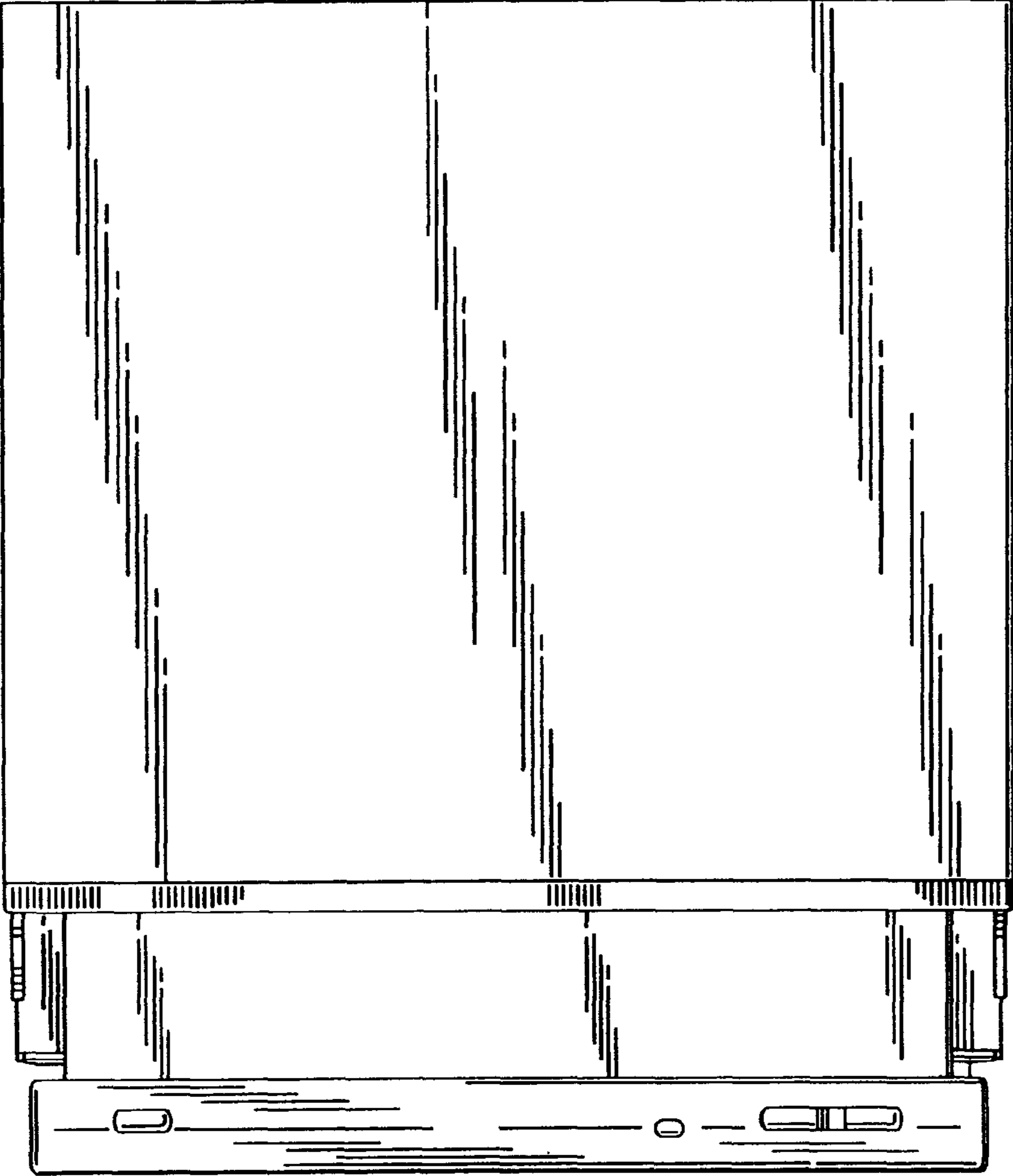


FIG. 4

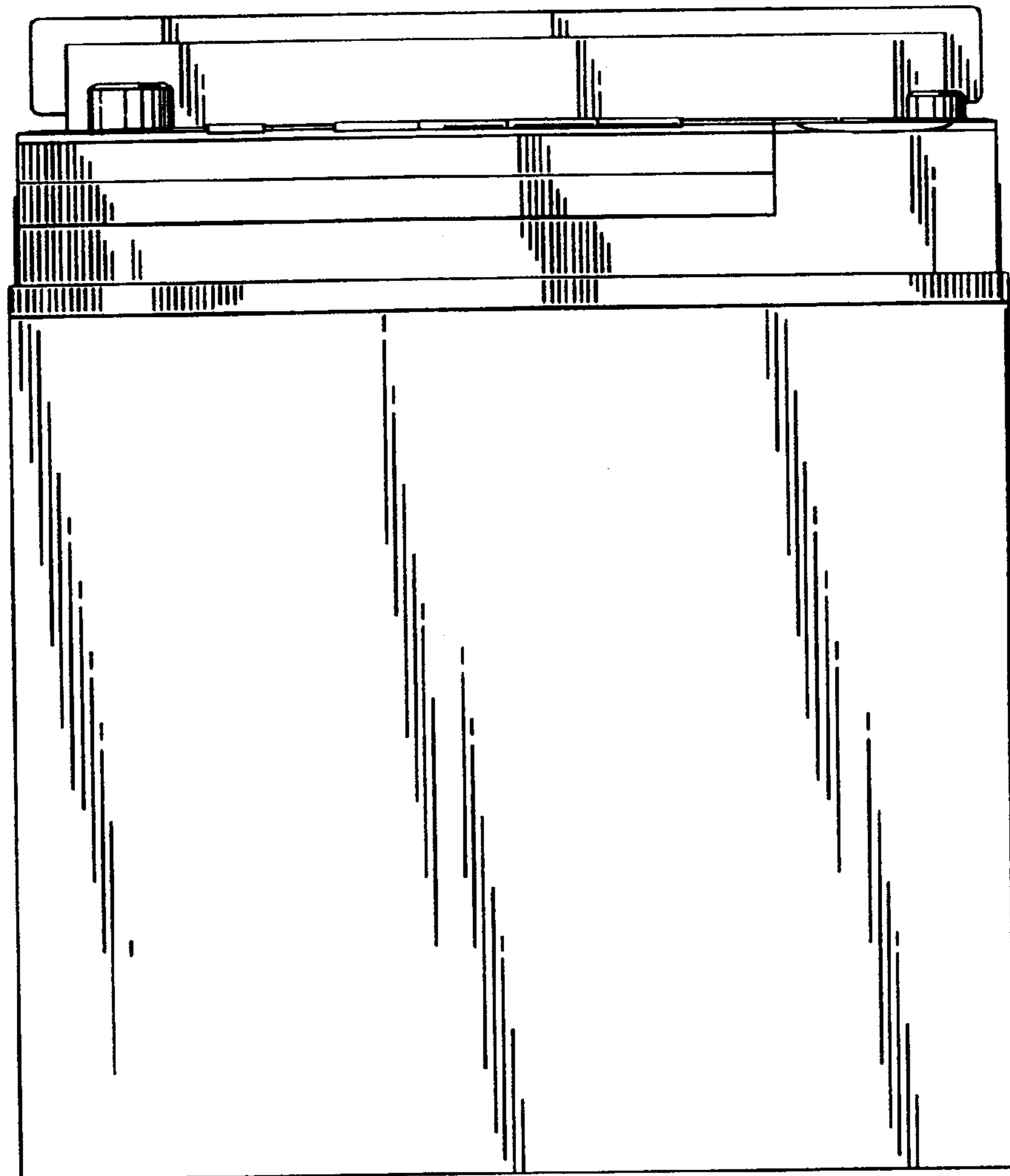


FIG. 5

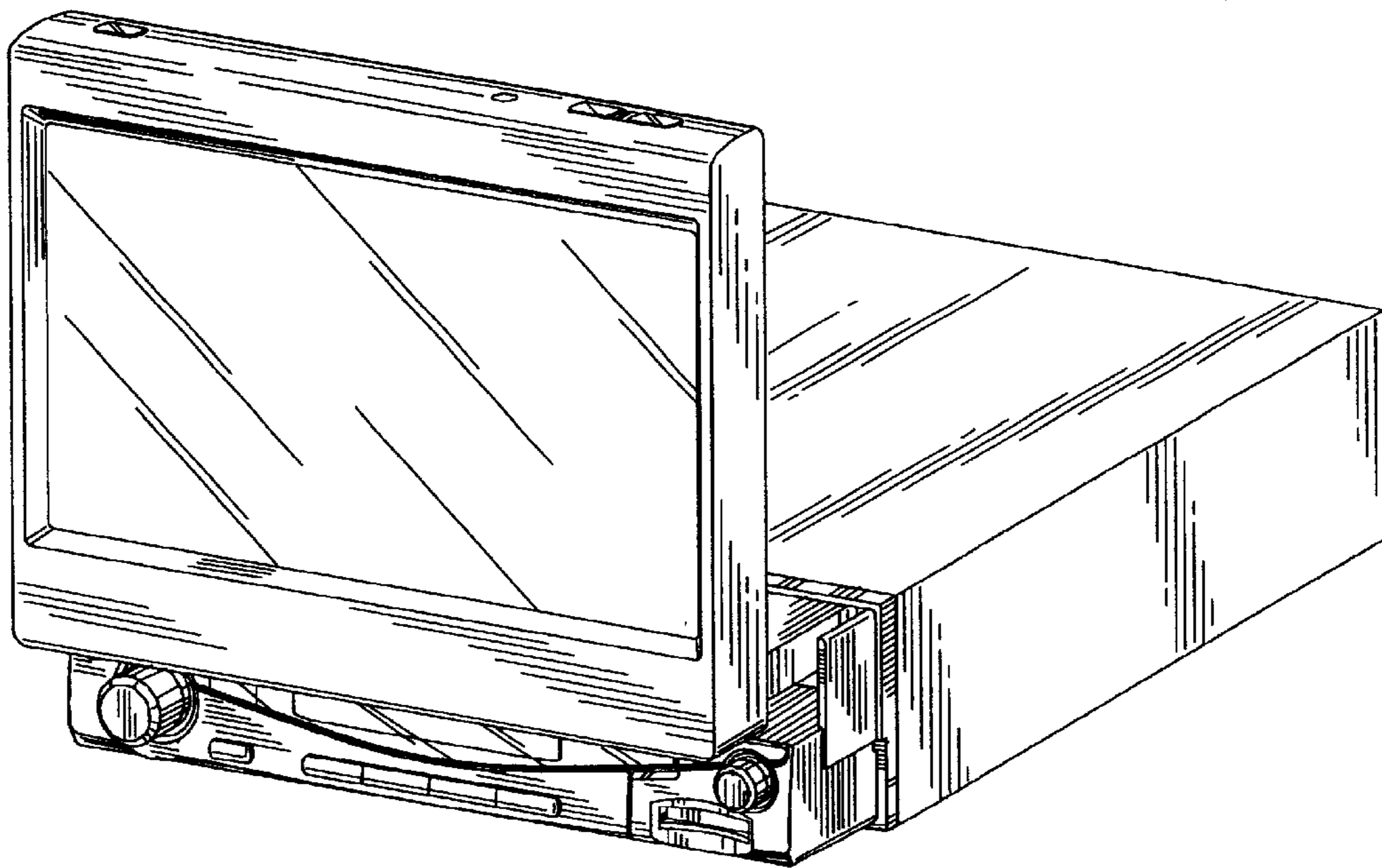


FIG. 6

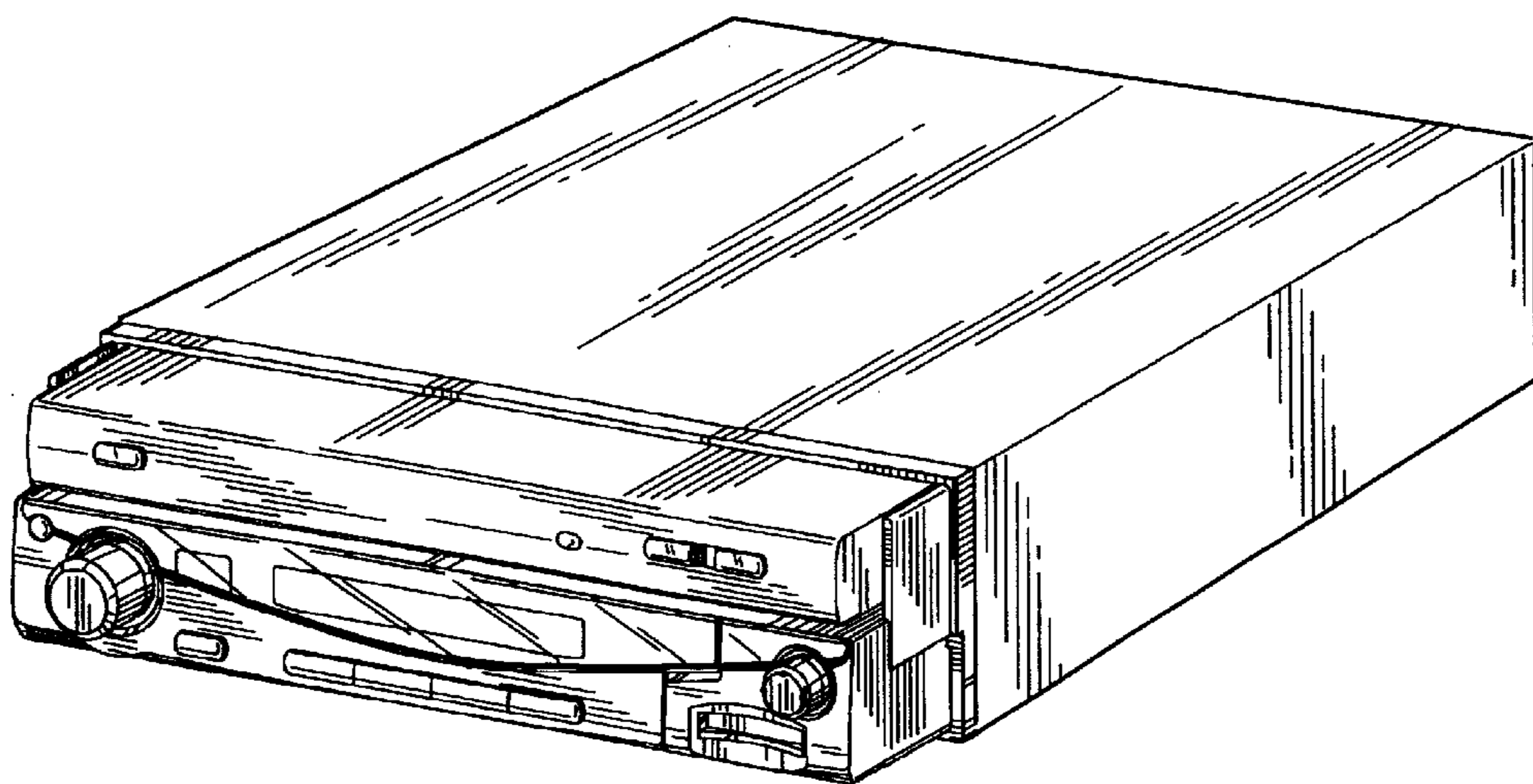


FIG. 7