



US00D513605S

(12) **United States Design Patent**  
**Lin**

(10) **Patent No.:** **US D513,605 S**  
(45) **Date of Patent:** **\*\* Jan. 17, 2006**

(54) **CABLE CONNECTOR ASSEMBLY**

(75) Inventor: **Qing Hong Lin**, Dong-Guan (CN)

(73) Assignee: **Cheng Uei Precision Industry Co., Ltd.**, Taipei (TW)

(\*\*) Term: **14 Years**

(21) Appl. No.: **29/205,503**

(22) Filed: **May 17, 2004**

(51) **LOC (8) Cl.** ..... **13-03**

(52) **U.S. Cl.** ..... **D13/133; D13/153; D13/146; D13/147**

(58) **Field of Classification Search** ..... **D12/133, D12/146, 147, 153, 184, 199; 174/174 A; 439/502, 540.1, 623, 638**

See application file for complete search history.

(56) **References Cited**

**U.S. PATENT DOCUMENTS**

4,477,801	A	*	10/1984	Robinson et al.	.....	340/684
5,203,720	A	*	4/1993	Zini	.....	439/502
5,547,399	A	*	8/1996	Naghi et al.	.....	439/623

5,954,538	A	*	9/1999	Huang	.....	439/502
D422,968	S	*	4/2000	Tsai et al.	.....	D13/147
6,454,597	B1	*	9/2002	Marsh et al.	.....	439/502
D473,848	S	*	4/2003	Zheng et al.	.....	D13/147
D491,532	S	*	6/2004	Chung et al.	.....	D13/147

\* cited by examiner

*Primary Examiner*—Stella Reid

*Assistant Examiner*—Daniel Bui

(74) *Attorney, Agent, or Firm*—Rosenberg, Klein & Lee

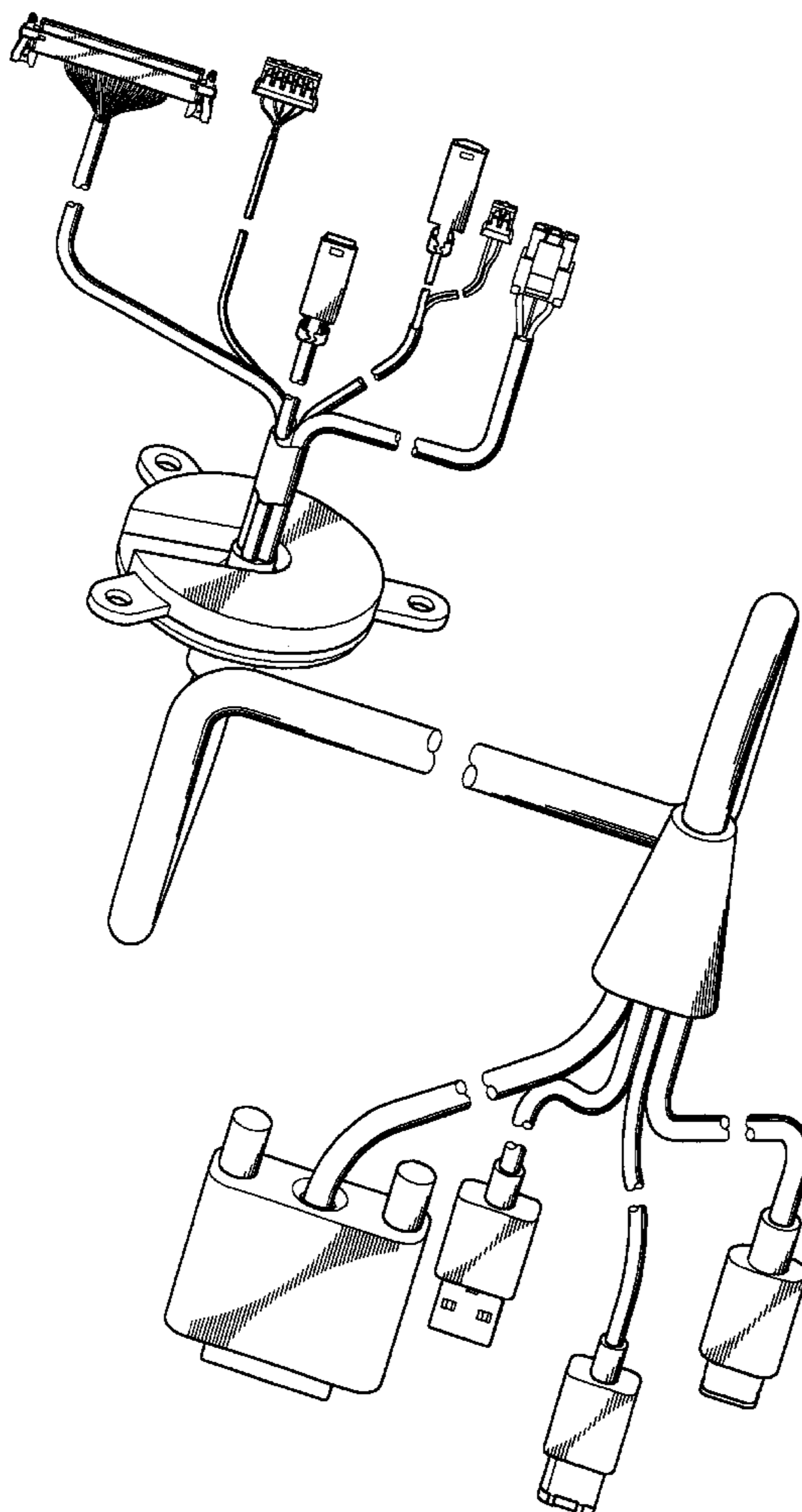
(57) **CLAIM**

The ornamental design for a cable connector assembly, as shown and described.

**DESCRIPTION**

FIG. 1 is a perspective view of a cable connector assembly showing my new design;  
FIG. 2 is a front elevational view thereof;  
FIG. 3 is a rear elevational view thereof;  
FIG. 4 is a left side elevational view thereof;  
FIG. 5 is a right side elevational view thereof;  
FIG. 6 is a top plan view thereof; and,  
FIG. 7 is a bottom plan view thereof.

**1 Claim, 7 Drawing Sheets**



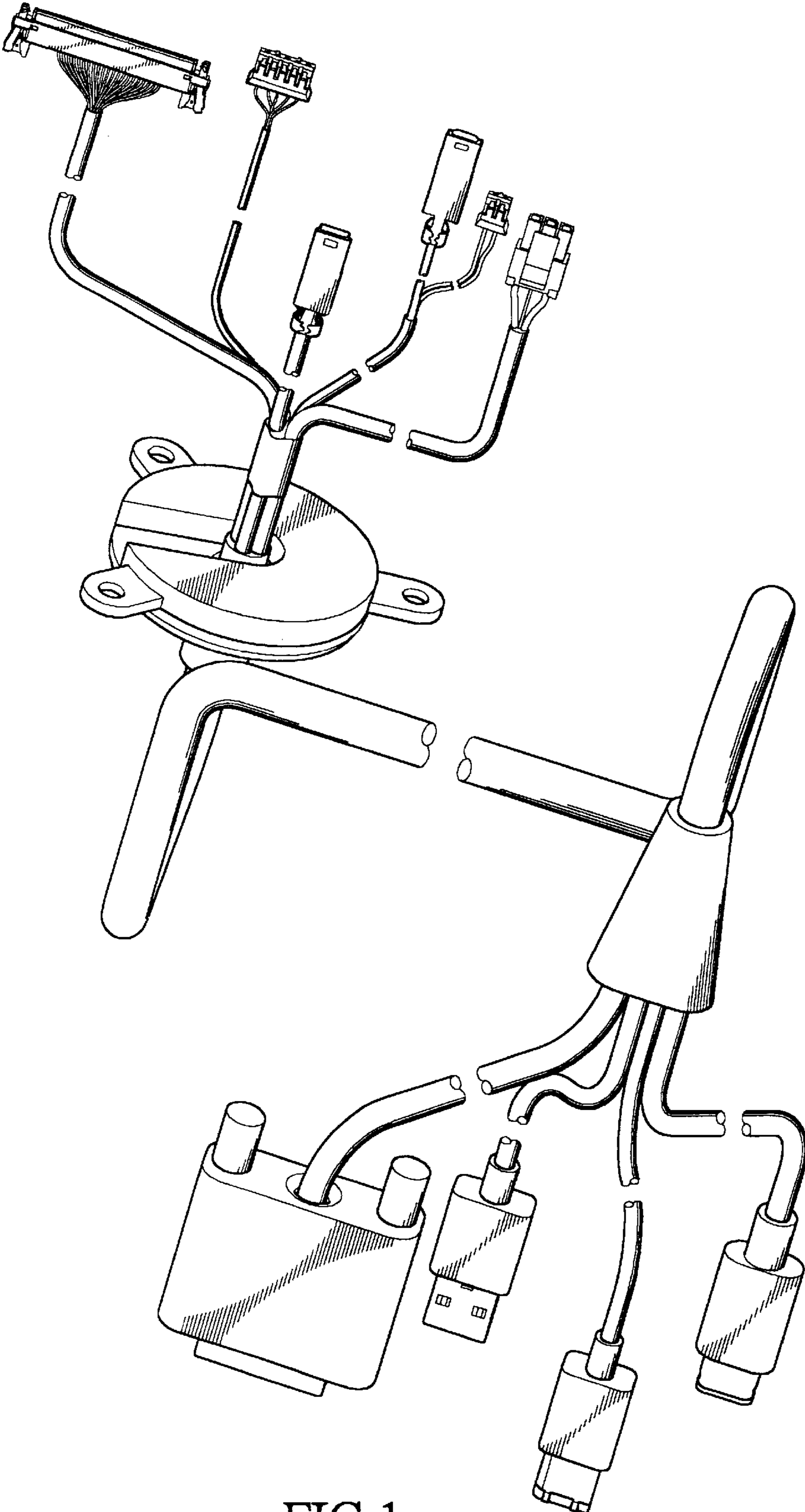


FIG.1

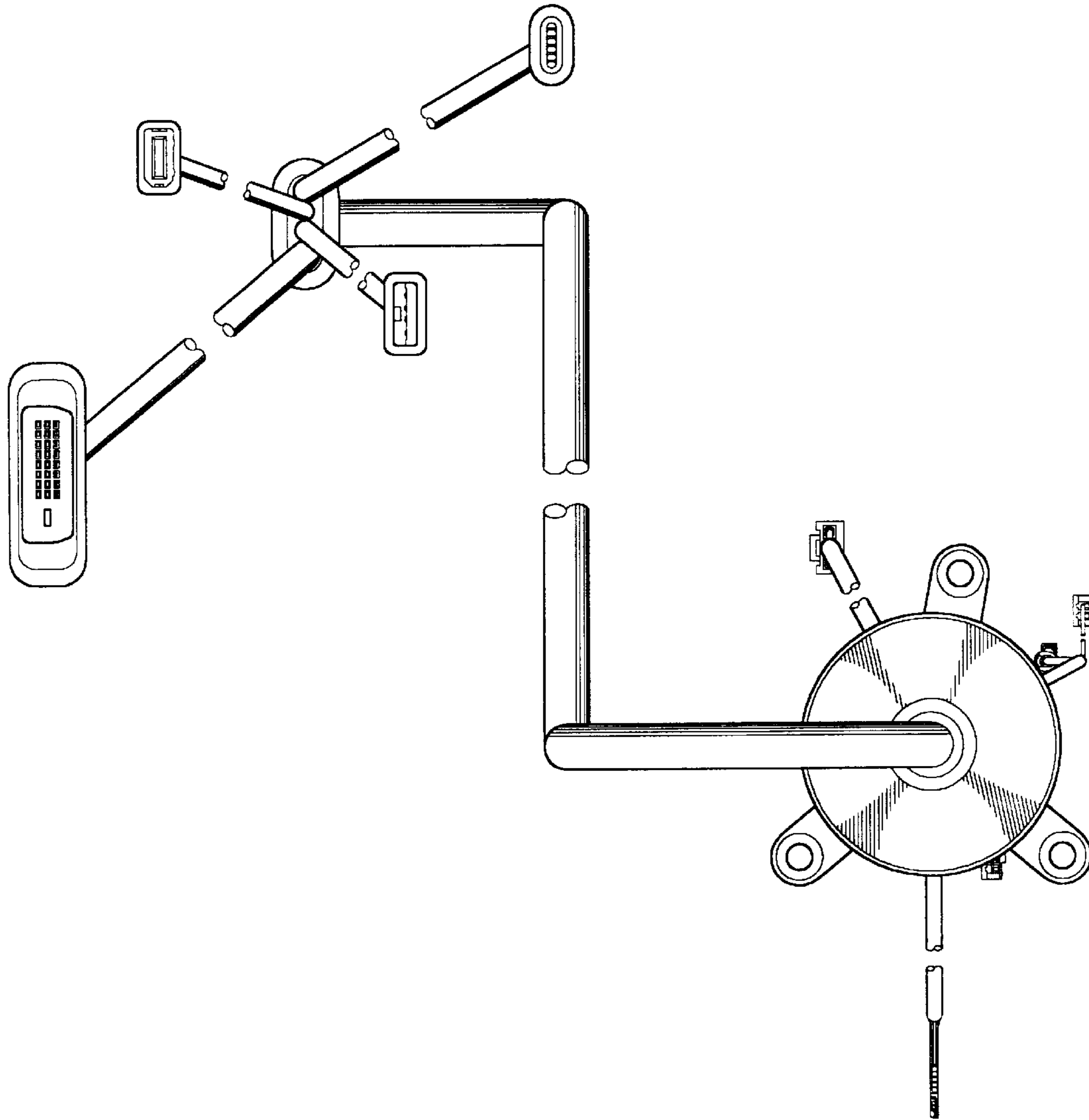


FIG.2

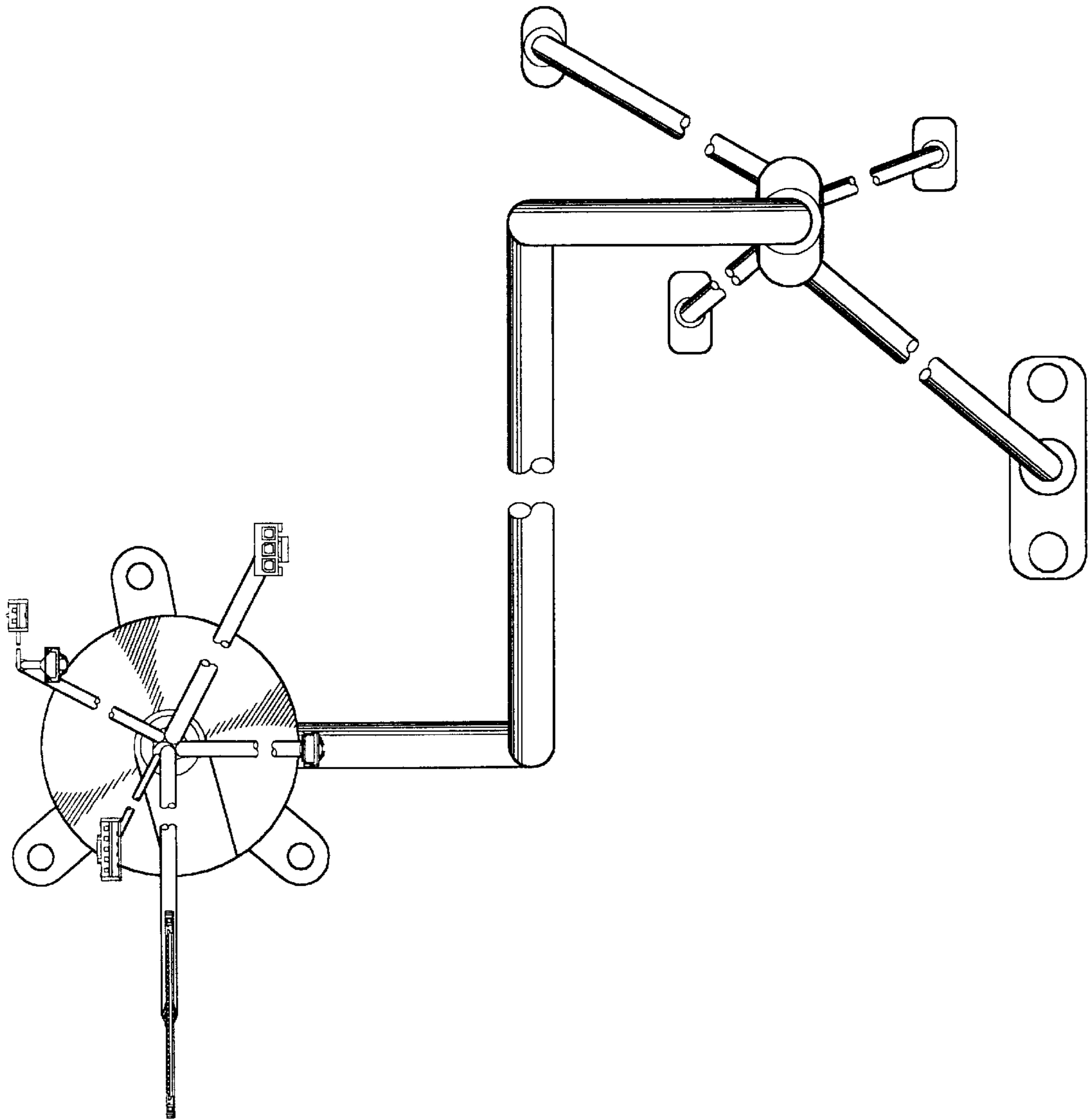


FIG.3

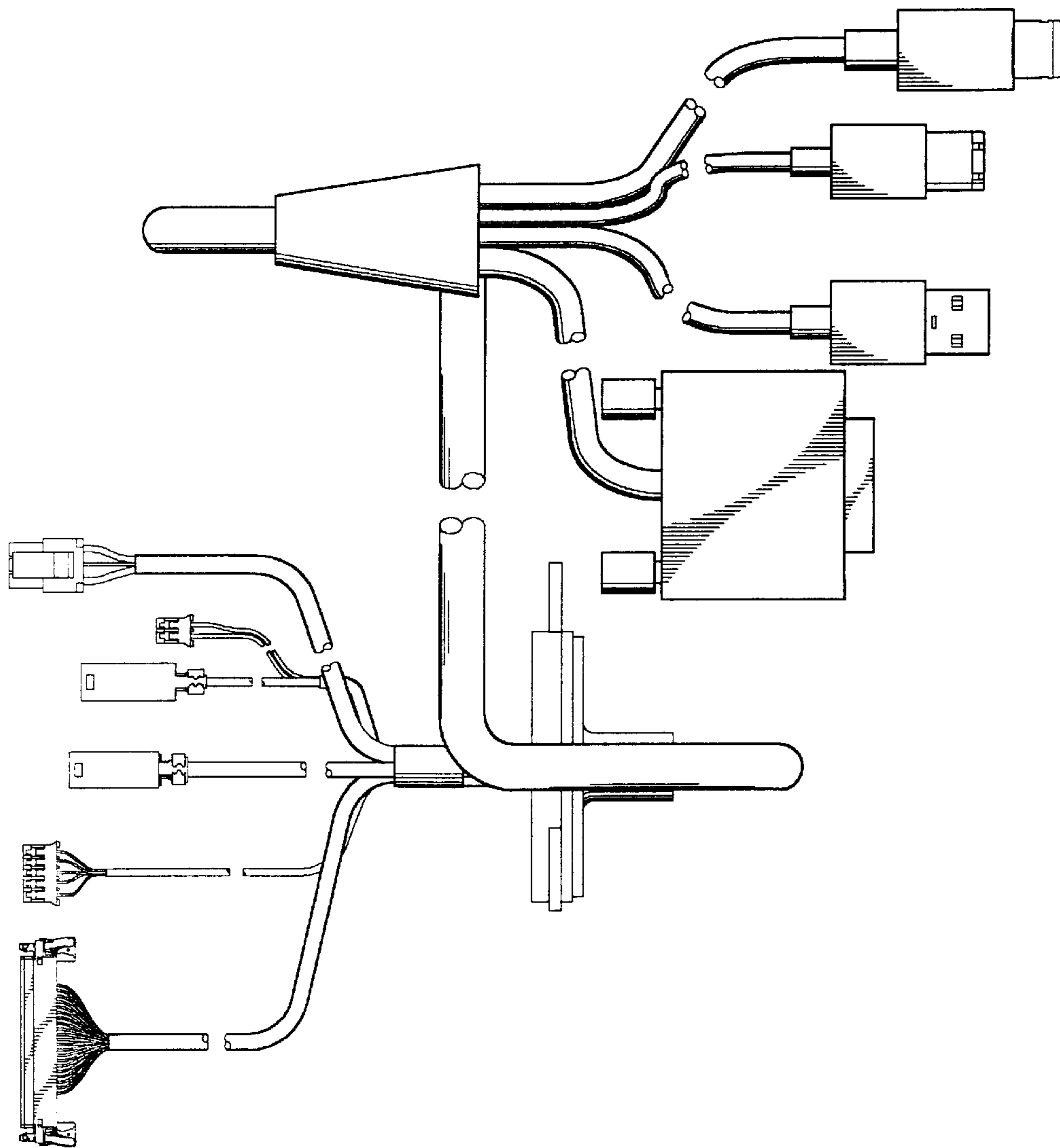


FIG.4

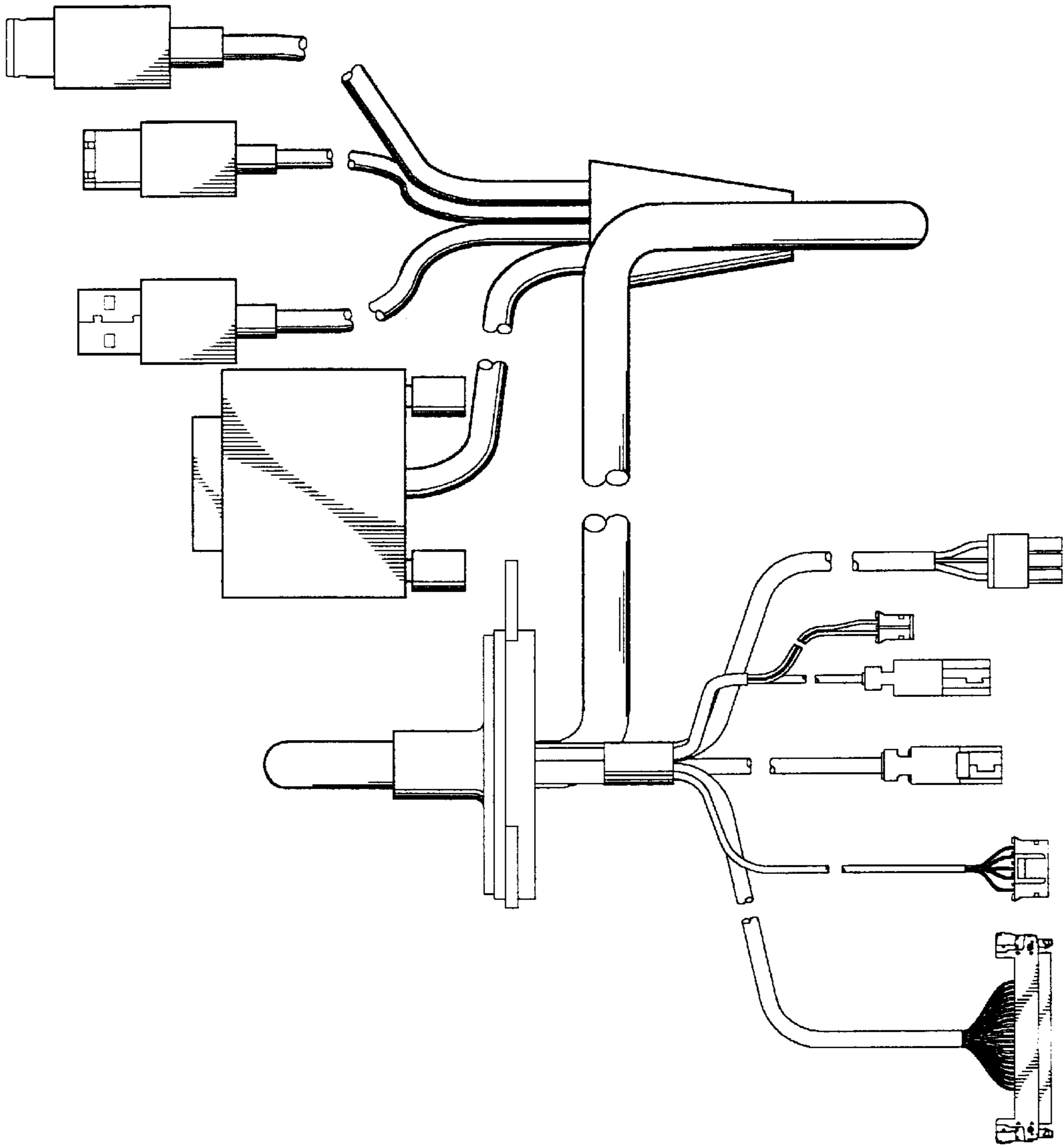


FIG.5

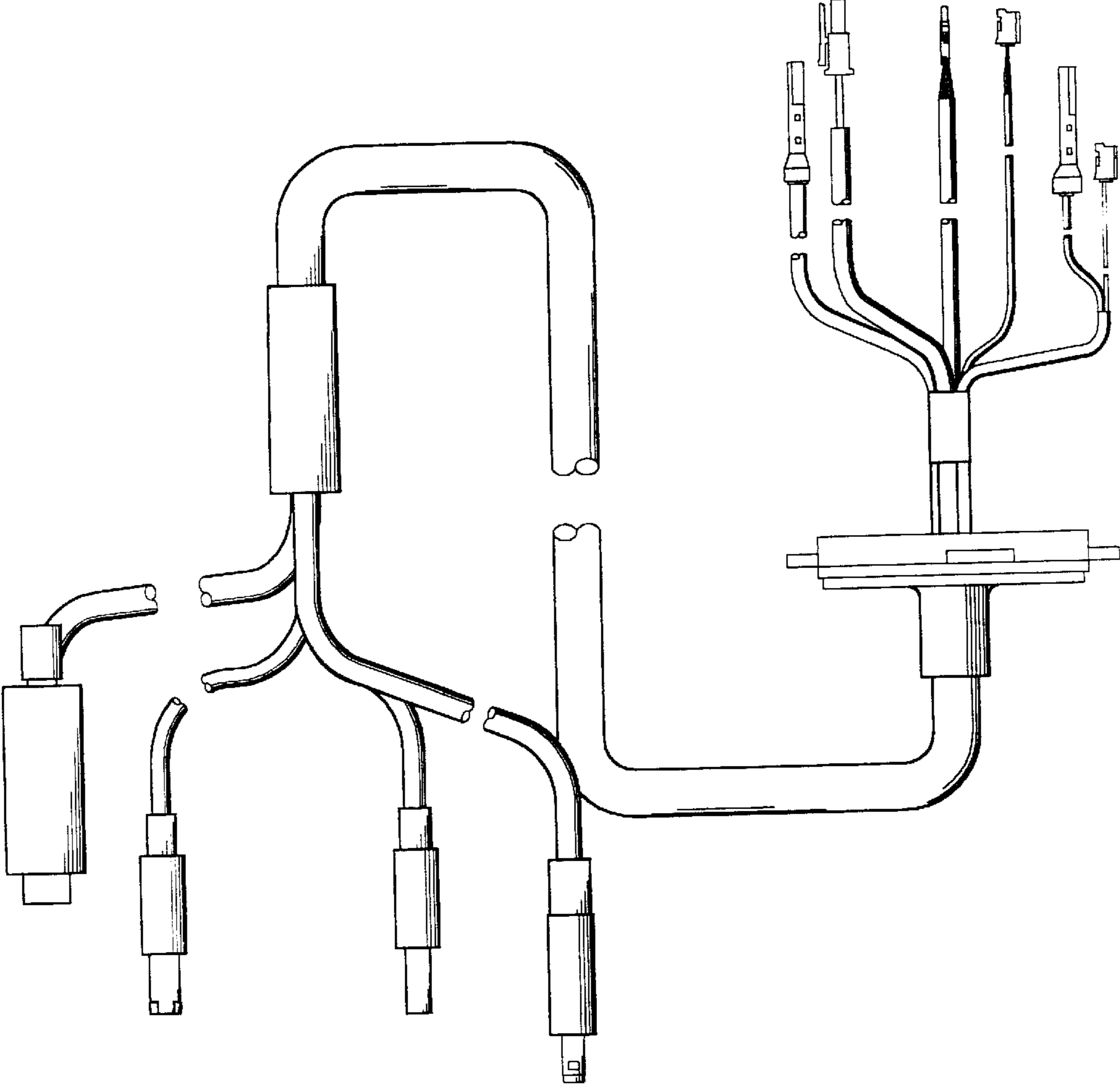


FIG.6

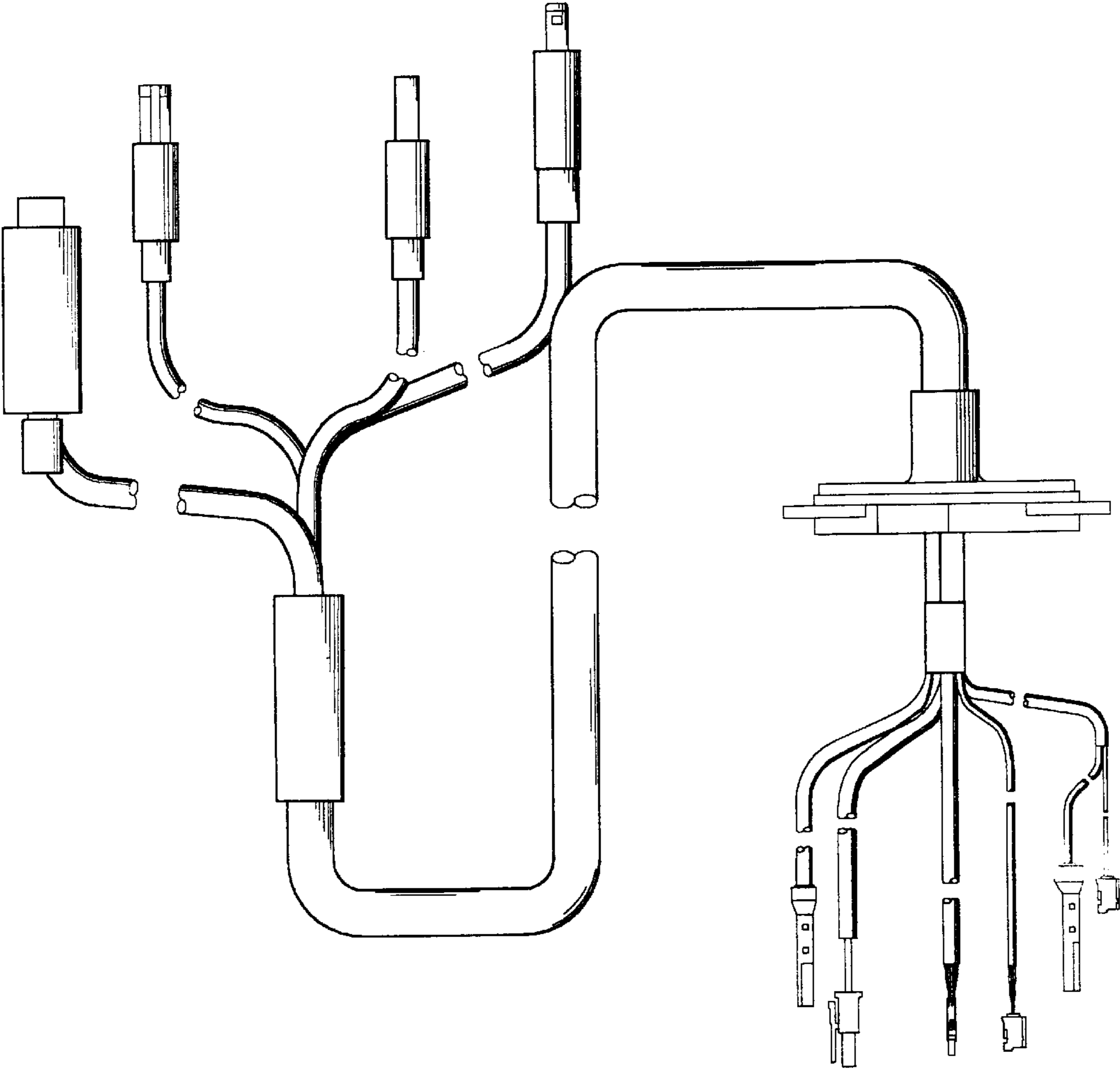


FIG.7