



US00D513602S

(12) **United States Design Patent**
Lynch

(10) **Patent No.:** **US D513,602 S**
(45) **Date of Patent:** **** Jan. 17, 2006**

(54) **VEHICLE ROOF CARGO CONTAINER**

(76) **Inventor:** **Richard Quentin Lynch**, 24 Waterway
Island Dr., Isle of Palms, SC (US)
29451

(**) **Term:** **14 Years**

(21) **Appl. No.:** **29/222,585**

(22) **Filed:** **Feb. 1, 2005**

(51) **LOC (8) Cl.** **12-16**

(52) **U.S. Cl.** **D12/413**

(58) **Field of Classification Search** D12/406,
D12/16, 412-414.1; D6/552, 556; D3/304-306,
D3/273; 206/315.1-315.4; 296/37.1-37.7,
296/3, 99.1-100; 280/760-762, 848, 727,
280/769; 224/309-310, 315, 321, 323-329,
224/400

See application file for complete search history.

(56) **References Cited**

U.S. PATENT DOCUMENTS

D243,392 S * 2/1977 Fairthorne D12/413
D297,134 S * 8/1988 Levine D12/413
D326,634 S * 6/1992 Seaver D12/413

D373,105 S * 8/1996 Imotani D12/413
D394,637 S * 5/1998 Camiano D12/401
D406,558 S * 3/1999 Pendergraph D12/413
D420,321 S * 2/2000 McCoy et al. D12/413
D462,312 S * 9/2002 Klein D12/413
D503,144 S * 3/2005 Rex D12/413

* cited by examiner

Primary Examiner—Stacia Cadmus

(74) *Attorney, Agent, or Firm*—Harleston Law Firm, LLC;
Kathleen M. Harleston

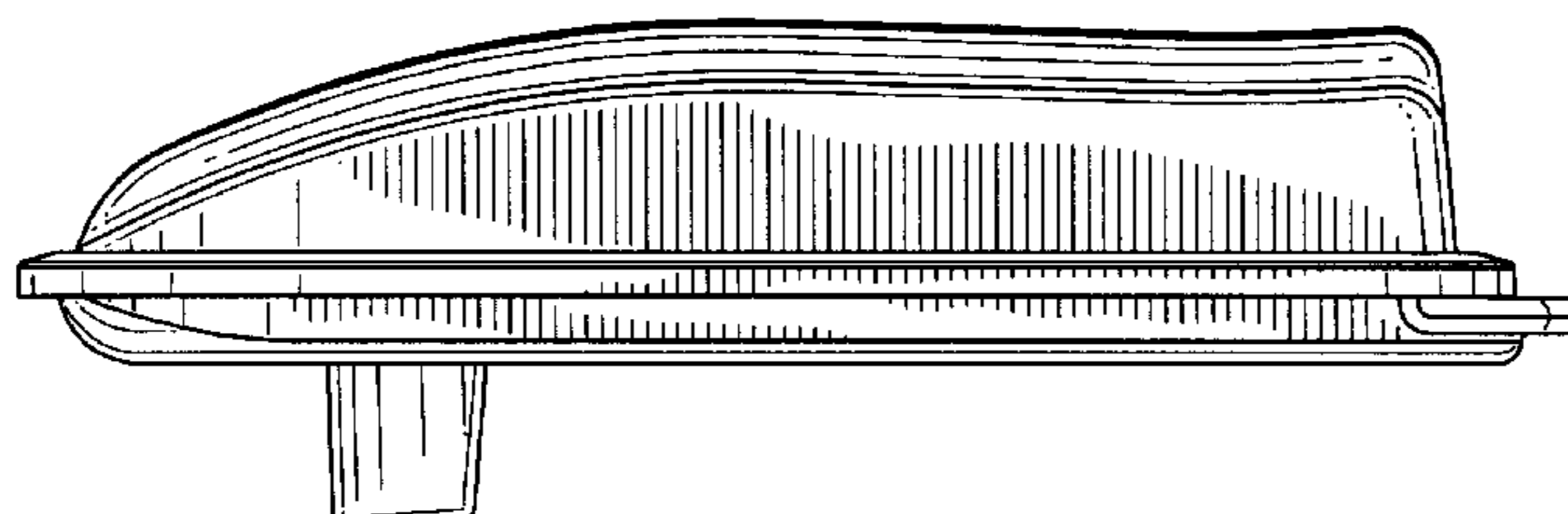
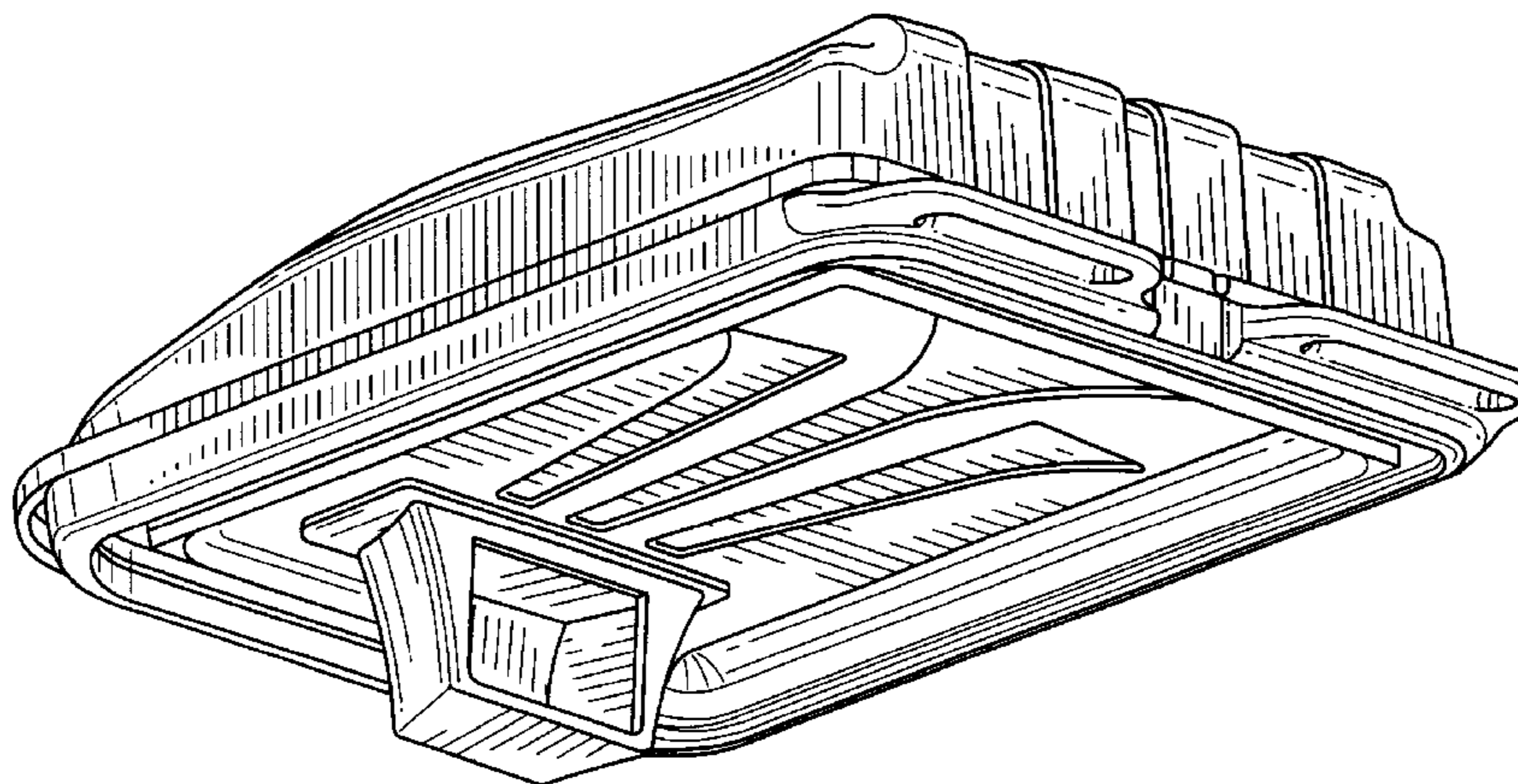
(57) **CLAIM**

The ornamental design for a vehicle roof cargo container, as shown and described.

DESCRIPTION

FIG. 1 is a bottom perspective view of a vehicle roof cargo container showing my new design; FIG. 2 is a left side elevation view thereof, the right side elevation view being a mirror image thereof; FIG. 3 is a top plan view thereof; FIG. 4 is a bottom plan view thereof; FIG. 5 is a front elevation view thereof; and, FIG. 6 is a rear elevation view thereof.

1 Claim, 4 Drawing Sheets



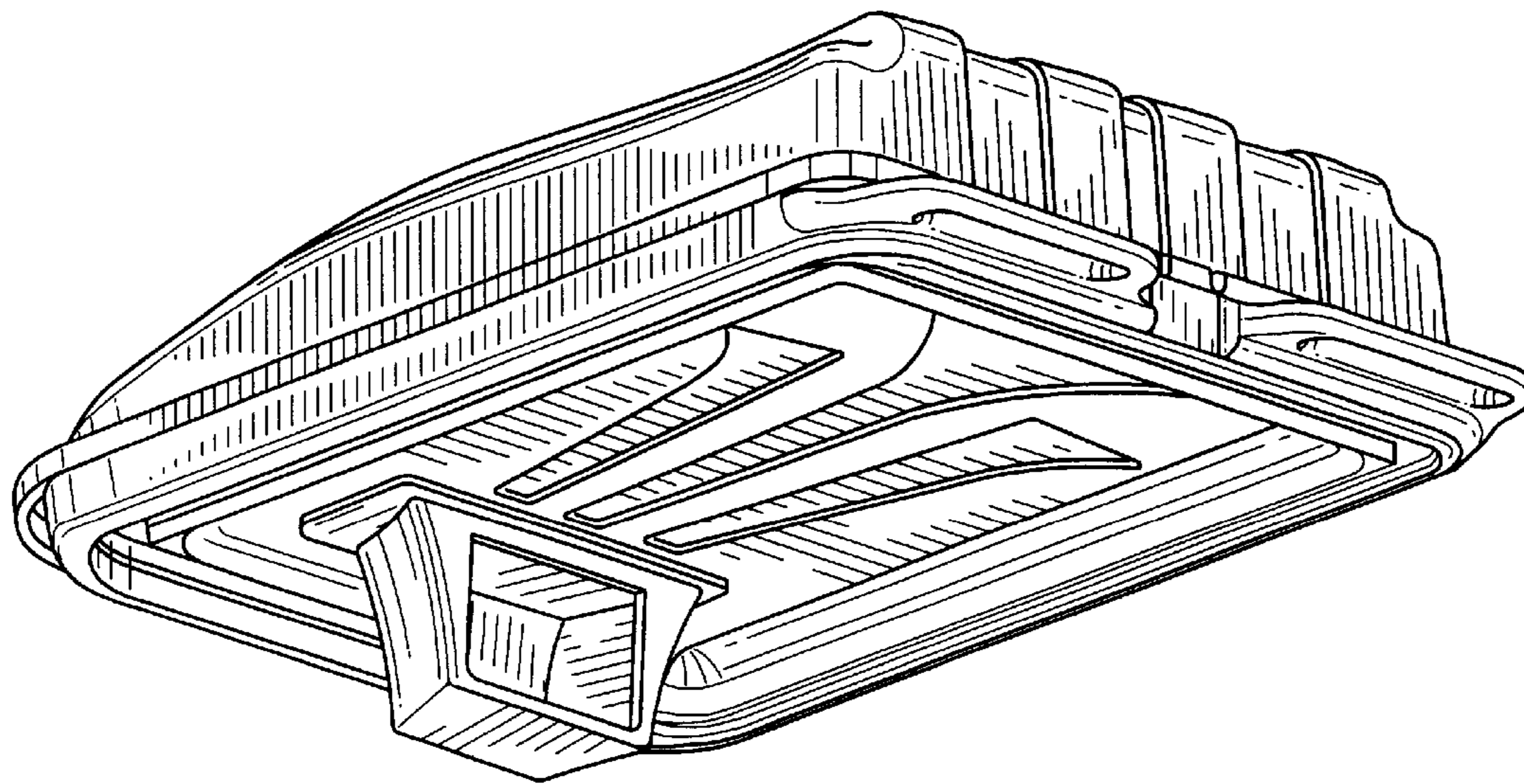


FIG. 1

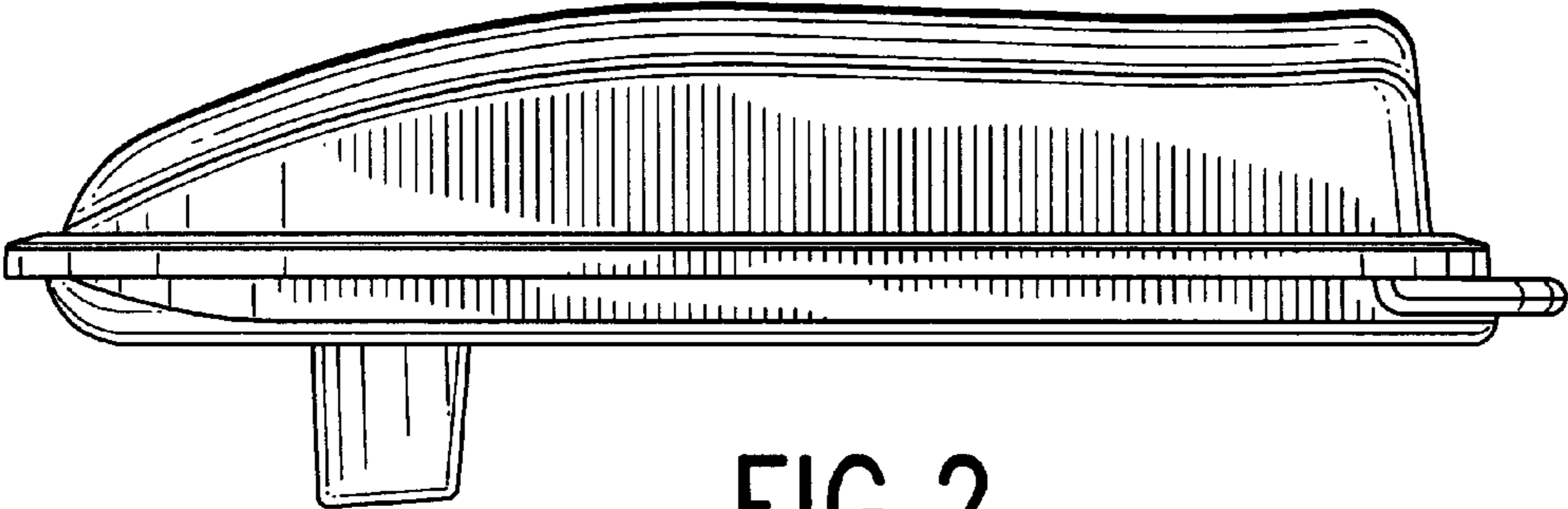


FIG. 2

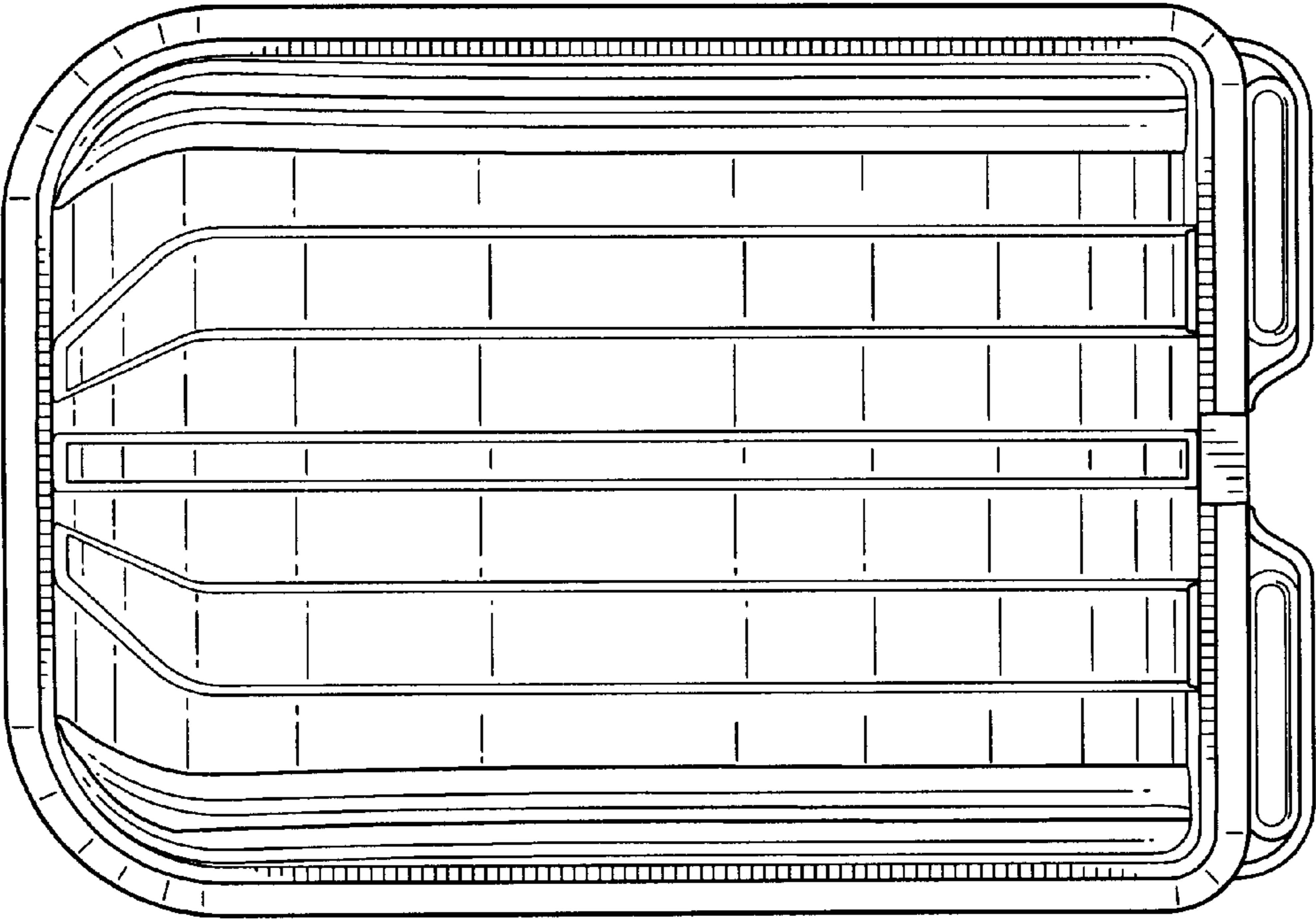


FIG. 3

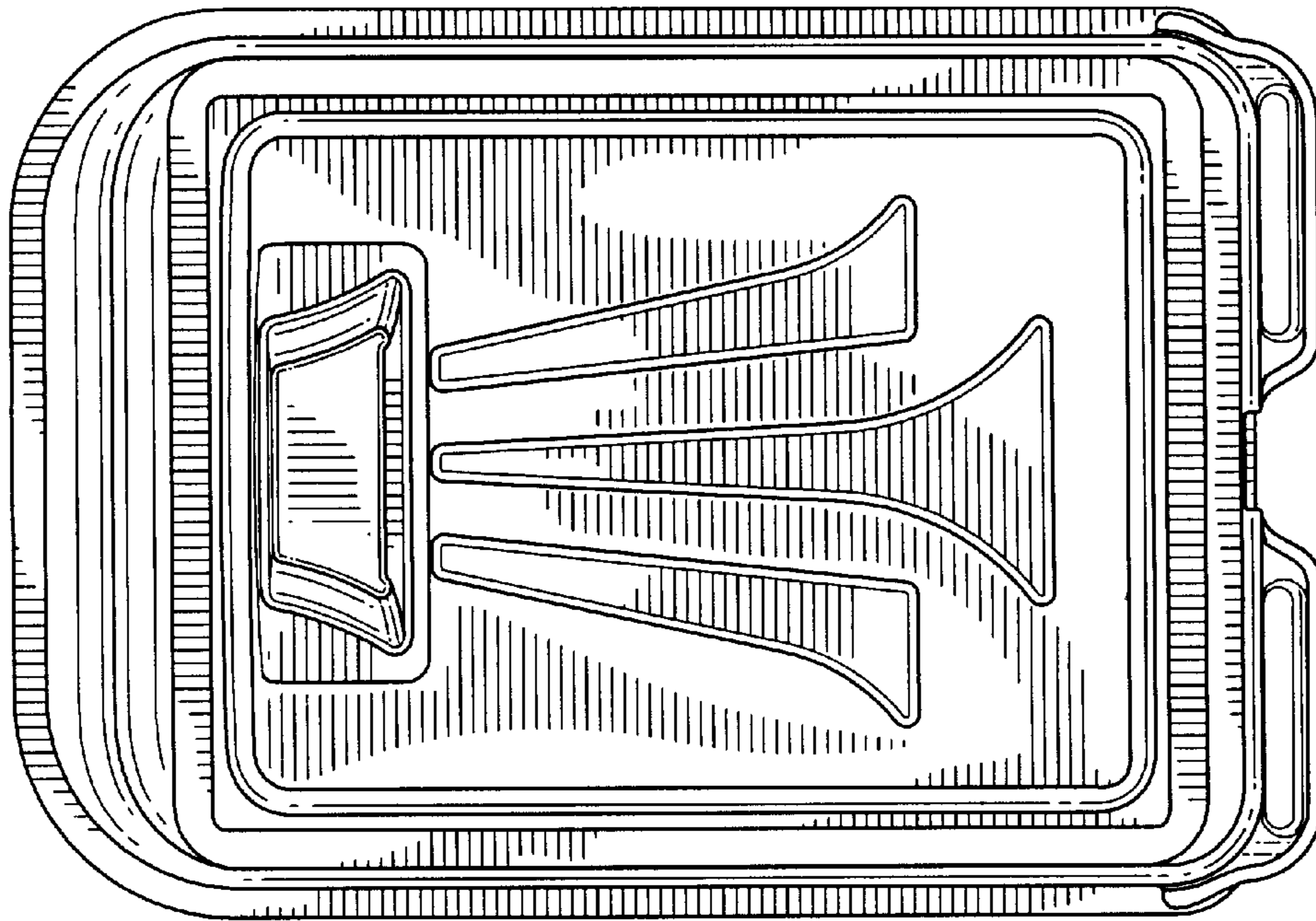


FIG. 4

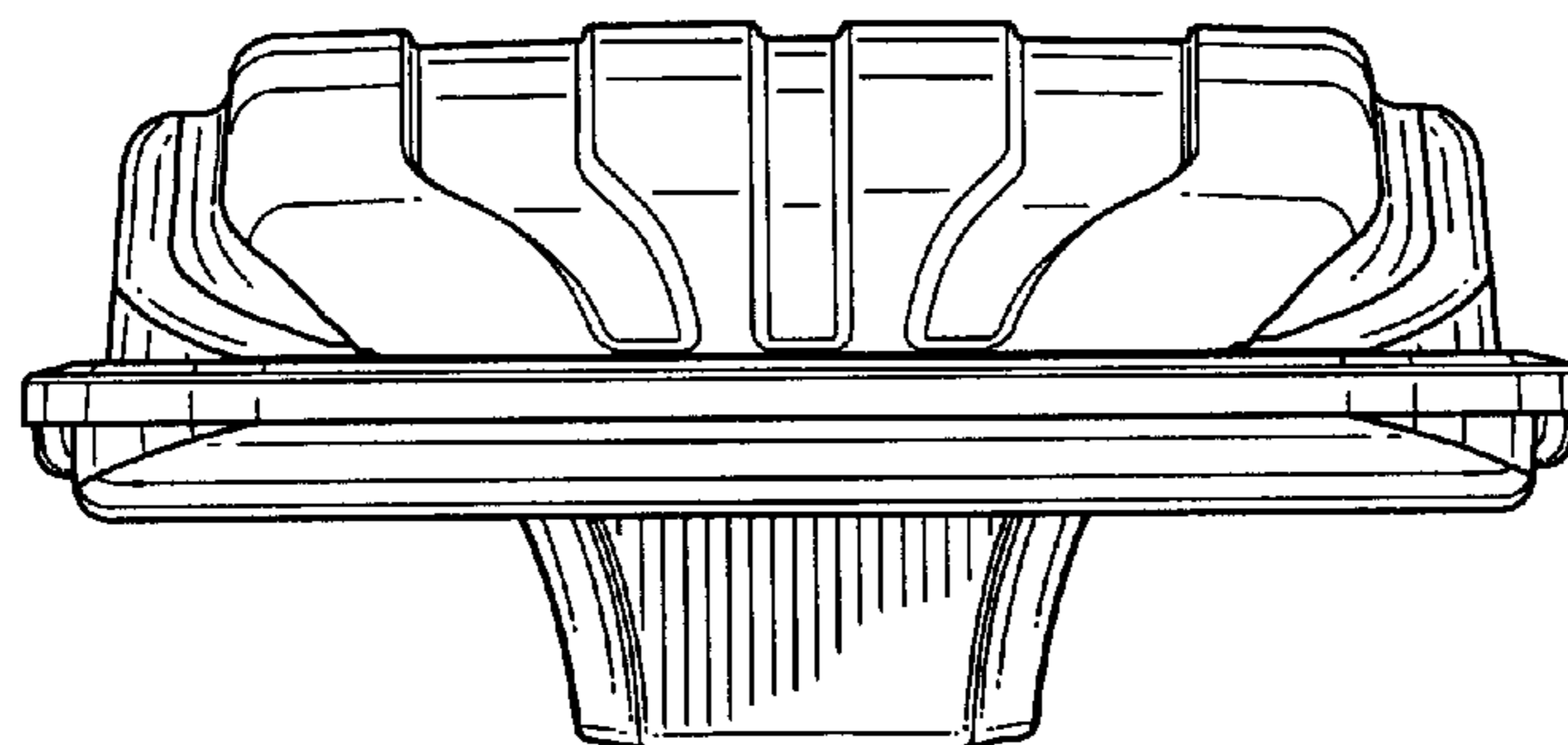


FIG. 5

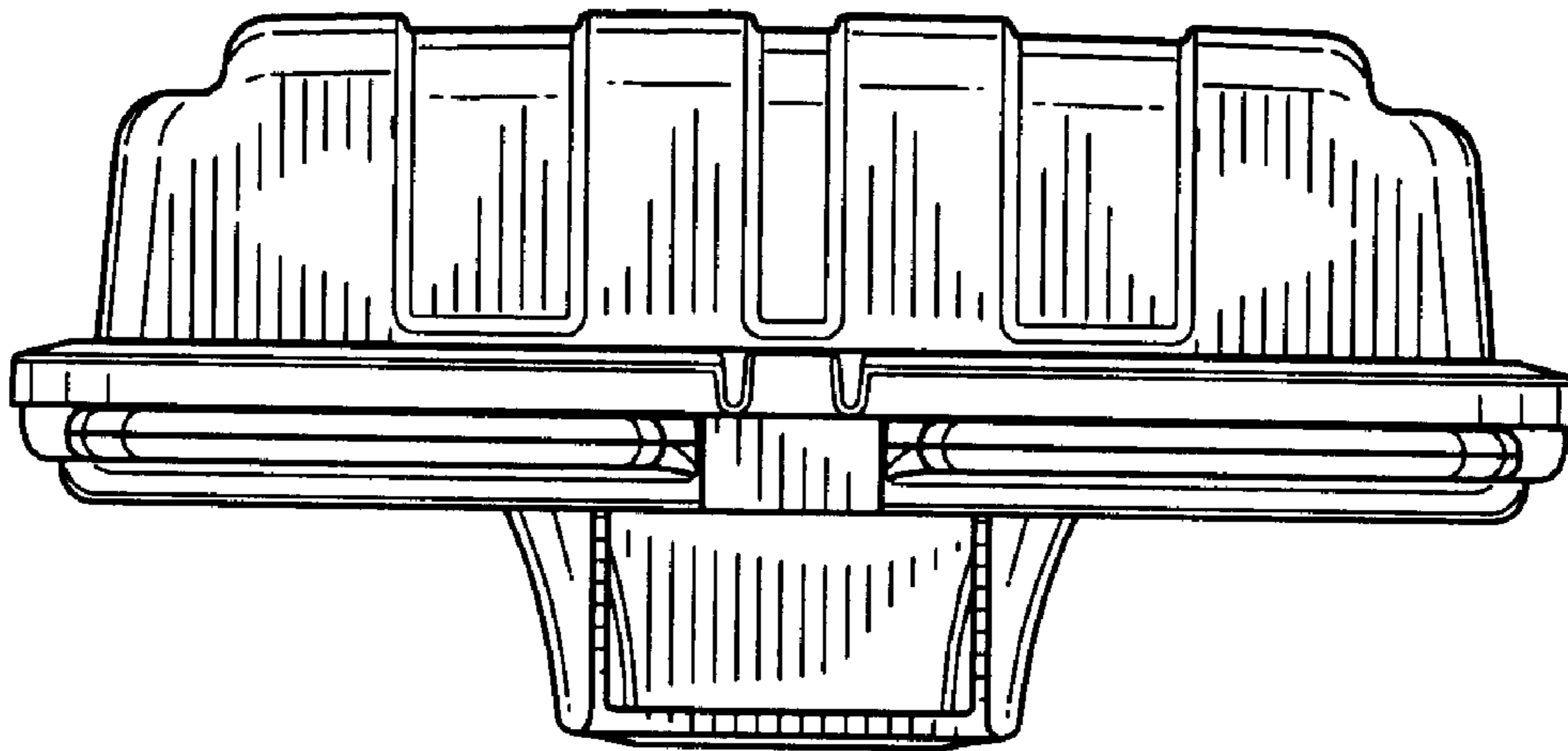


FIG. 6