



US00D513598S

(12) **United States Design Patent**
Bingham, Jr. et al.

(10) **Patent No.: US D513,598 S**
(45) **Date of Patent: ** Jan. 17, 2006**

(54) **CADENCE METER**

6,674,832 B2 * 1/2004 Yusa 377/24.2
6,805,006 B2 * 10/2004 Guzman 73/490

(75) Inventors: **Robert J. Bingham, Jr.**, Everett, WA
(US); **Mark A. Zeh**, Munich (DE);
Christopher Loew, Palo Alto, CA (US)

* cited by examiner

(73) Assignee: **LeMond Fitness Inc.**, Woodinville, WA
(US)

Primary Examiner—Antoine D. Davis
(74) *Attorney, Agent, or Firm*—George C. Rondeau, Jr.;
Davis Wright Tremaine LLP

(**) Term: **14 Years**

(57) **CLAIM**

(21) Appl. No.: **29/203,709**

The ornamental design for a cadence meter, as shown and described.

(22) Filed: **Apr. 15, 2004**

Related U.S. Application Data

DESCRIPTION

(63) Continuation-in-part of application No. 29/201,862, filed on
Mar. 22, 2004.

FIG. 1 is a front perspective view of a cadence meter showing our new design.

(51) **LOC (8) Cl.** **10-04**

FIG. 2 is a rear perspective view thereof.

(52) **U.S. Cl.** **D10/70**

FIG. 3 is a front elevational view thereof.

(58) **Field of Classification Search** D10/70,
D10/46; 73/493, 514.12, 514.14, 514.33;
235/95 C, 105; 340/669; 377/5, 24.2, 26;
702/160, 144, 176

FIG. 4 is a rear elevational view thereof.

FIG. 5 is a right side elevational view thereof.

FIG. 6 is a left side elevational view thereof.

See application file for complete search history.

FIG. 7 is a top plan view thereof; and,

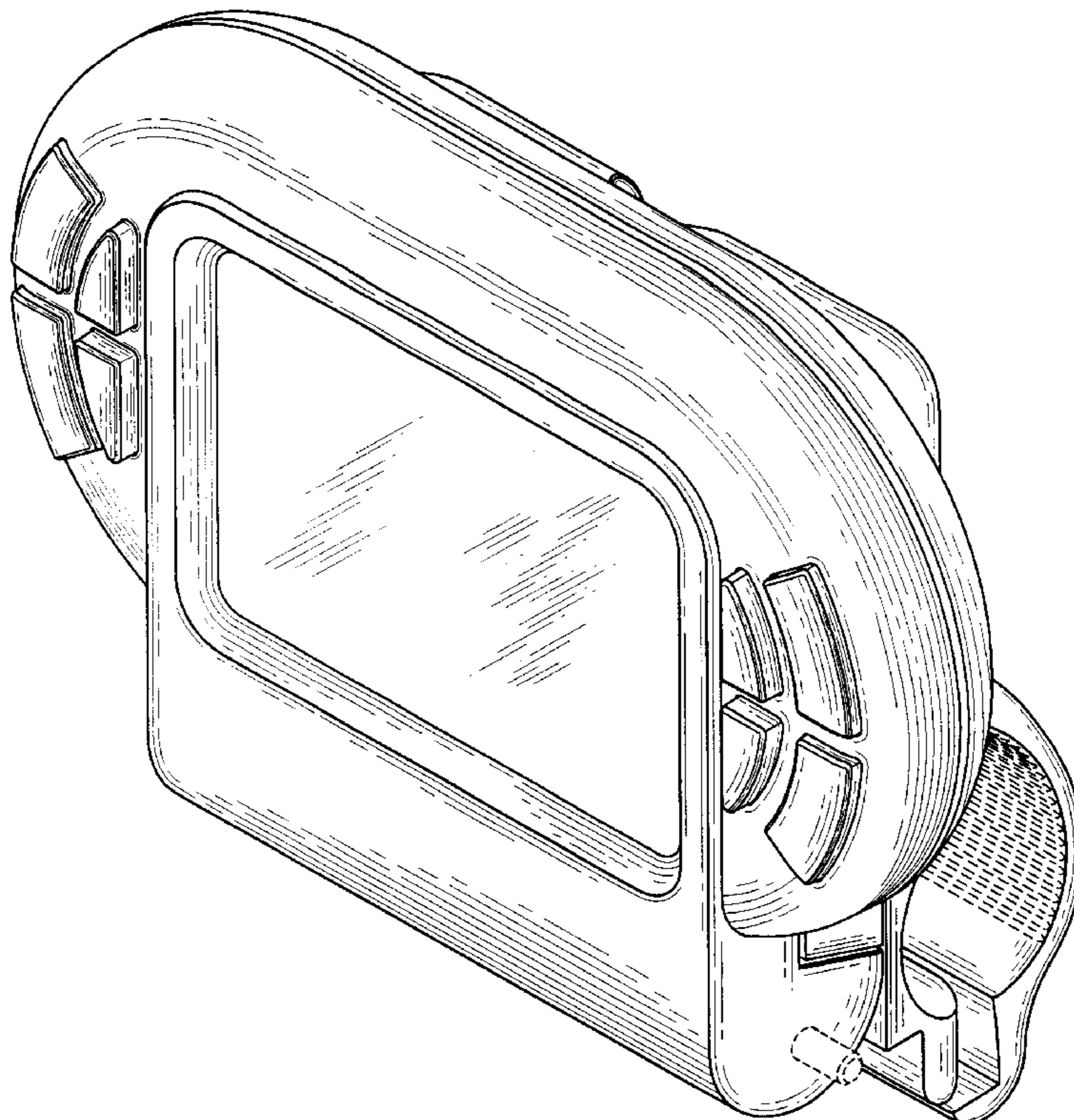
FIG. 8 is a bottom plan view thereof.

(56) **References Cited**

U.S. PATENT DOCUMENTS

6,604,419 B2 * 8/2003 Guzman 73/491

1 Claim, 8 Drawing Sheets



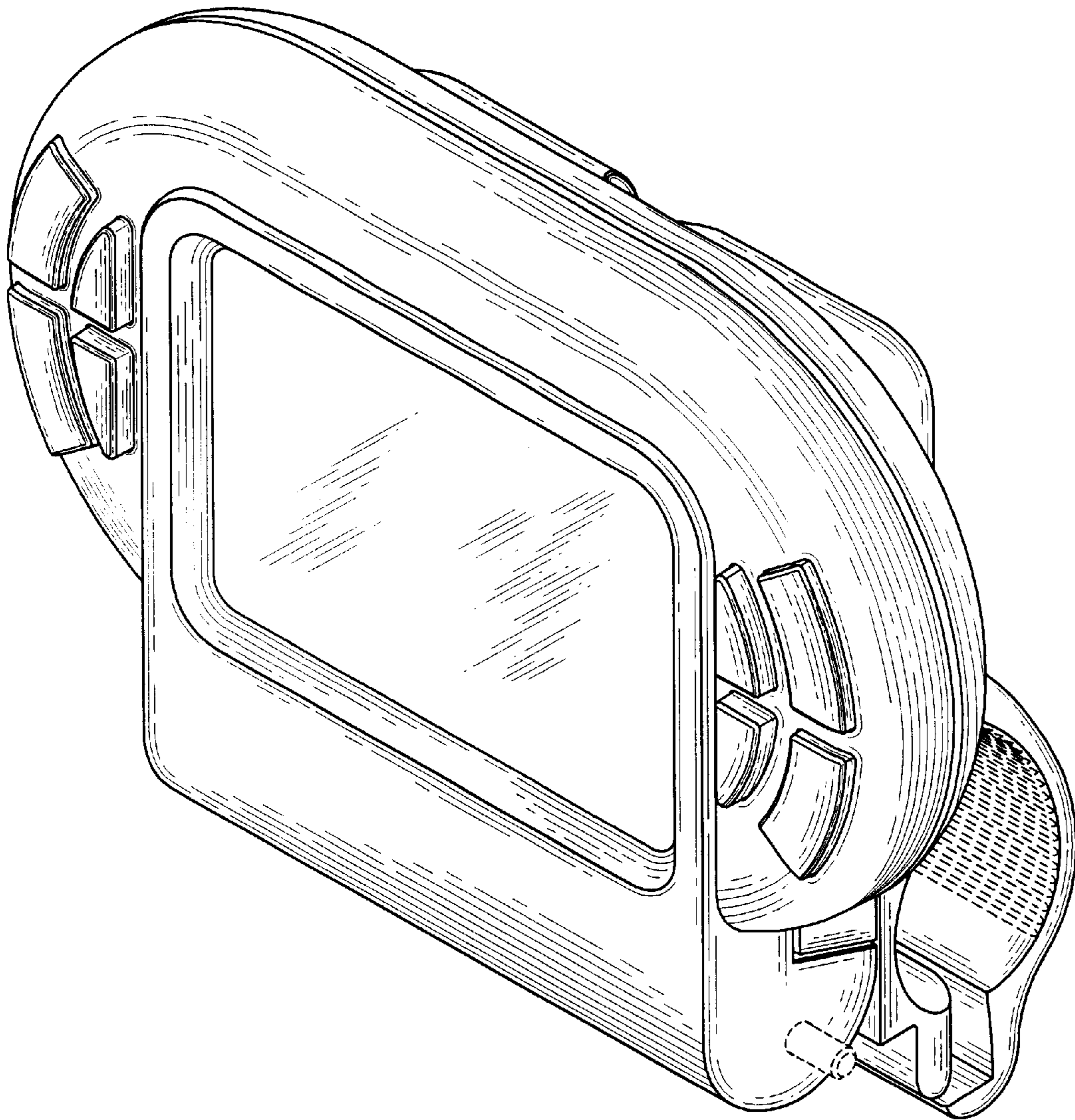


Fig. 1

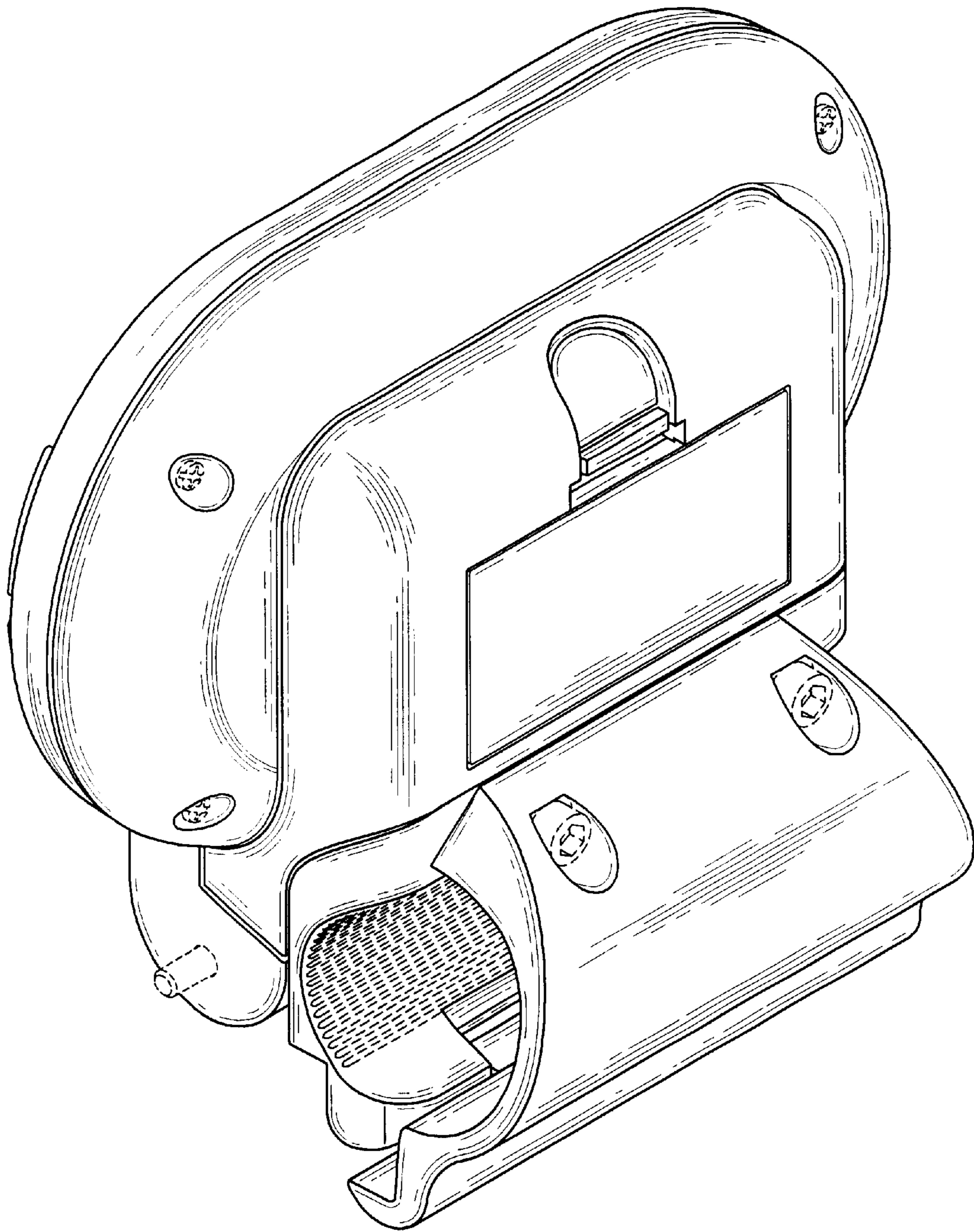


Fig. 2

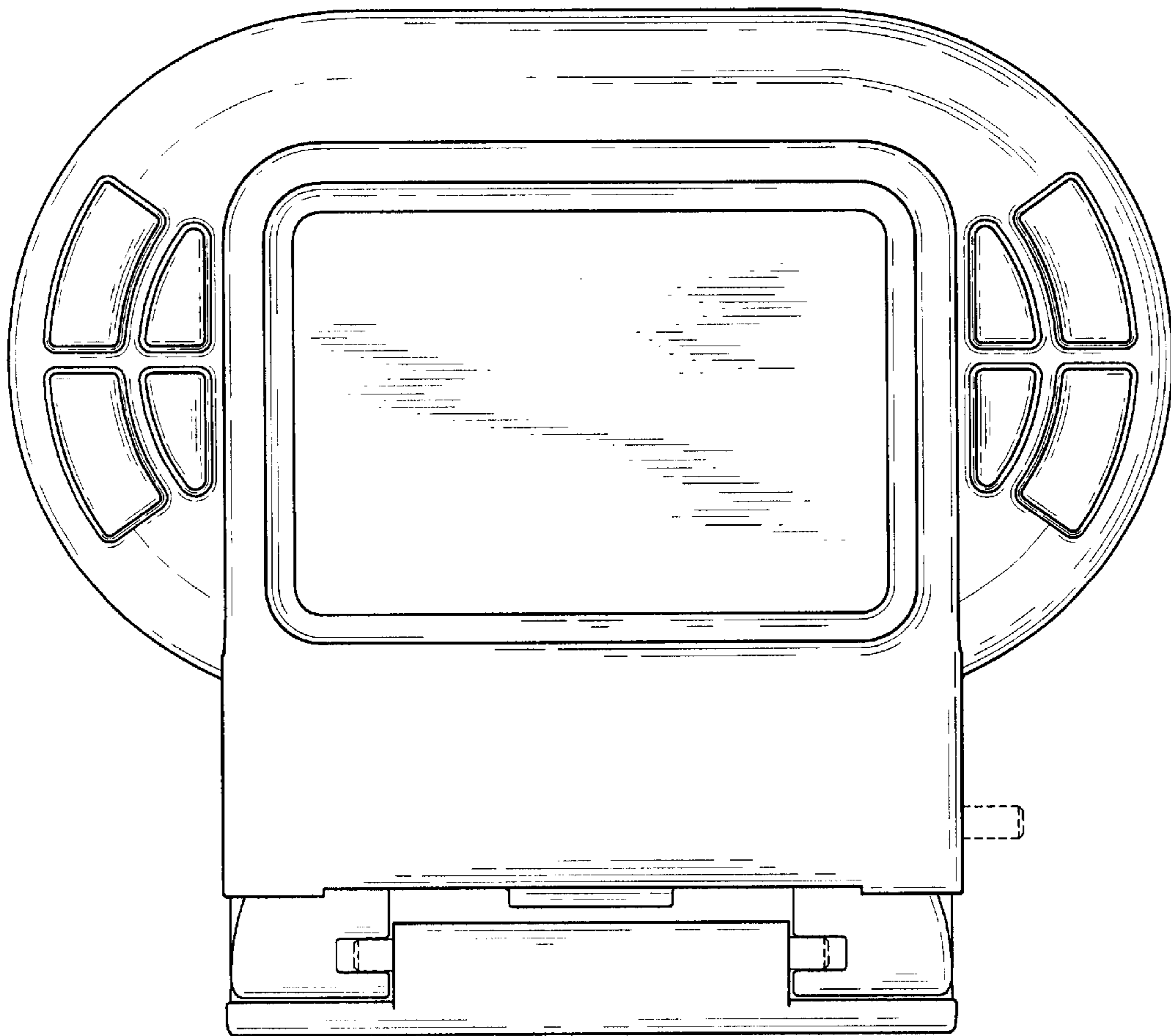


Fig. 3

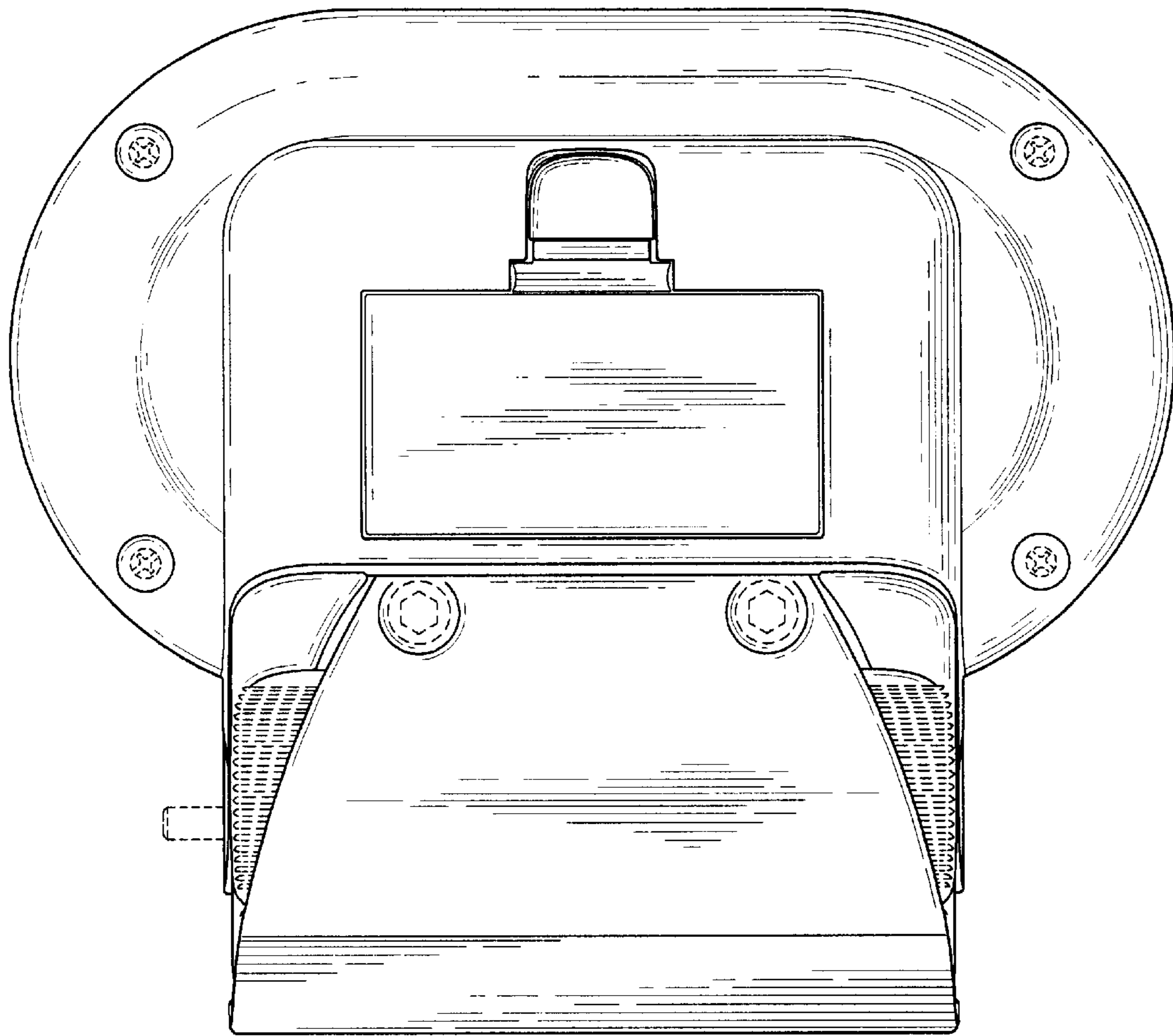


Fig. 4

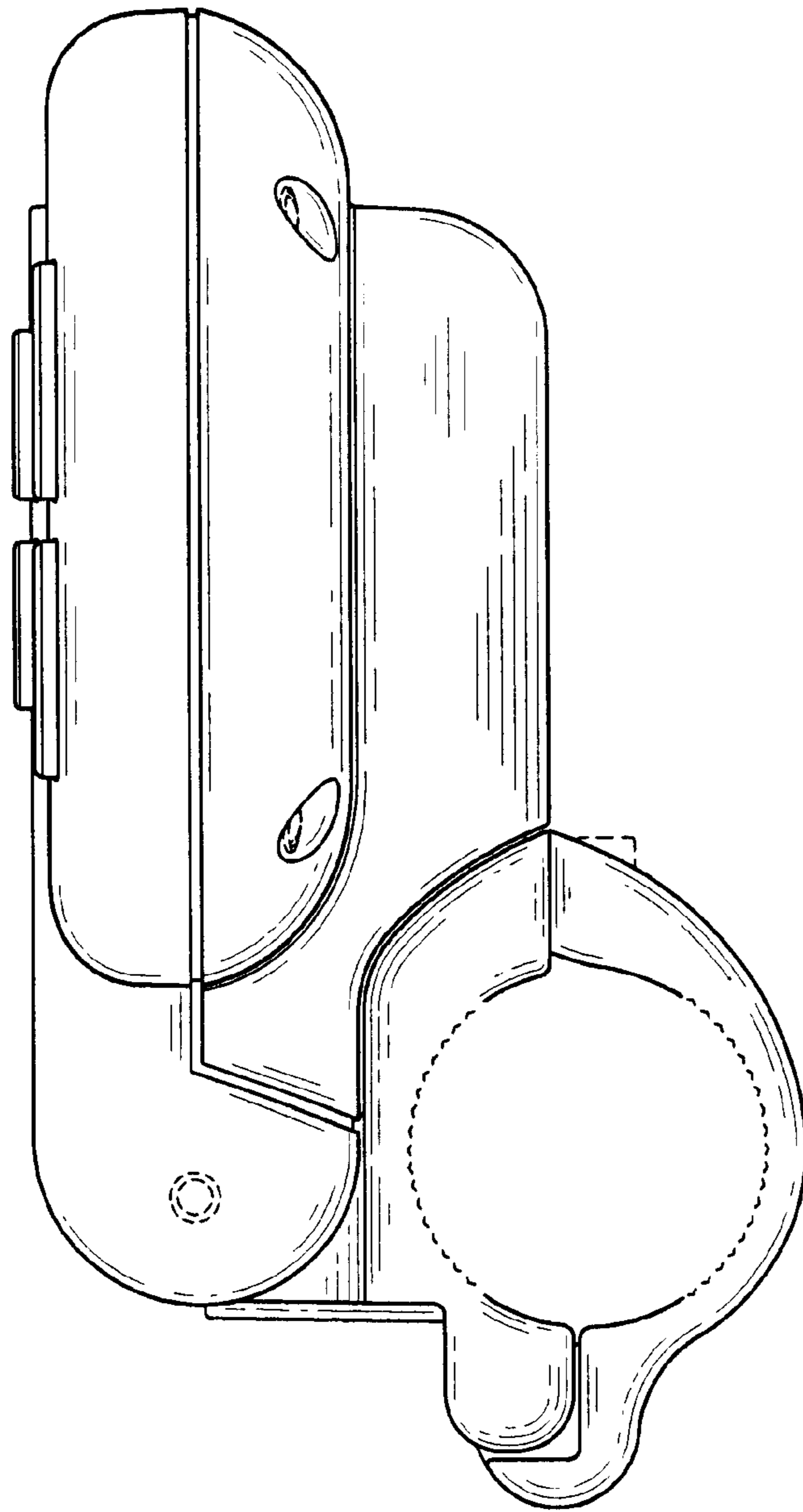


Fig. 5

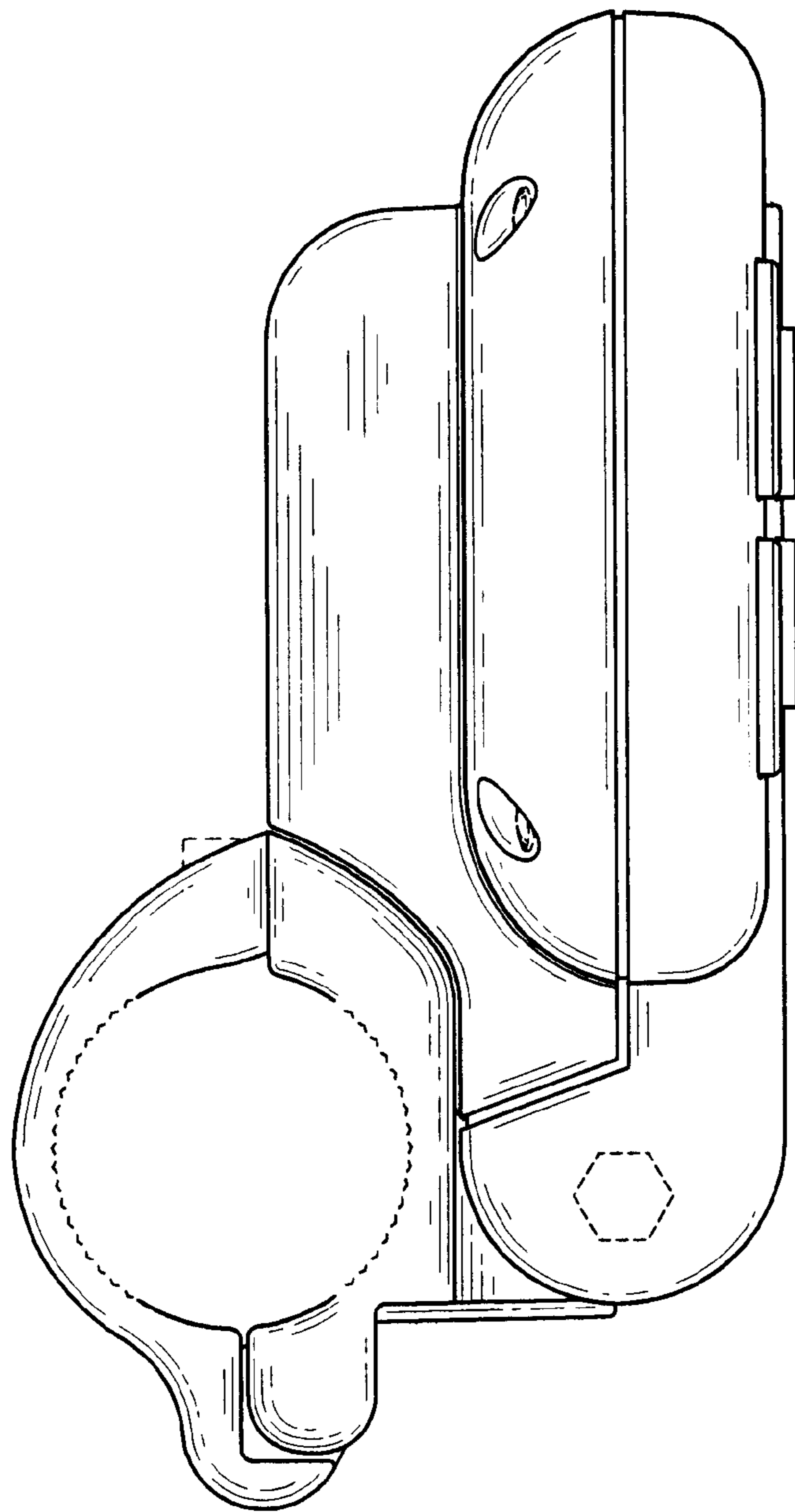


Fig. 6

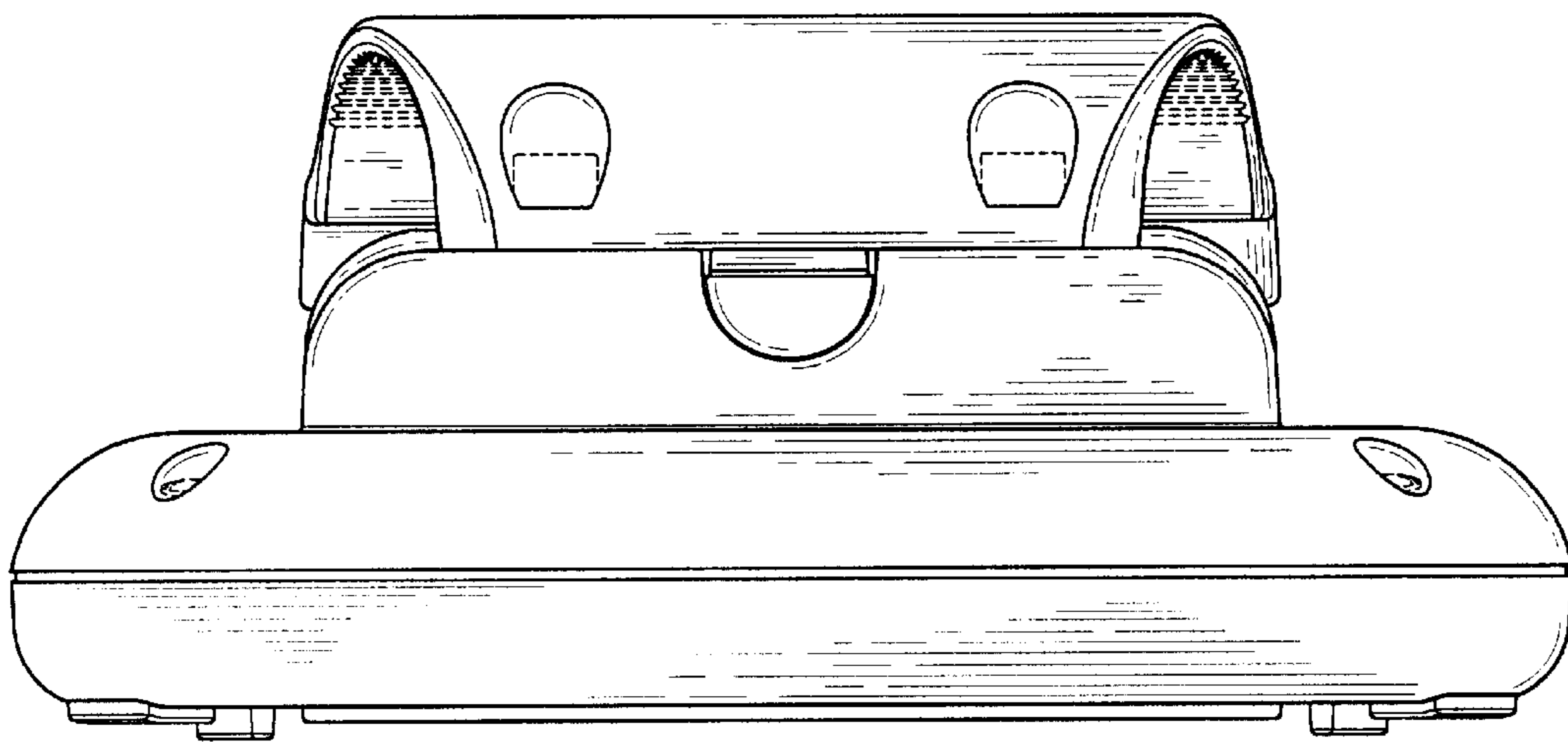


Fig. 7

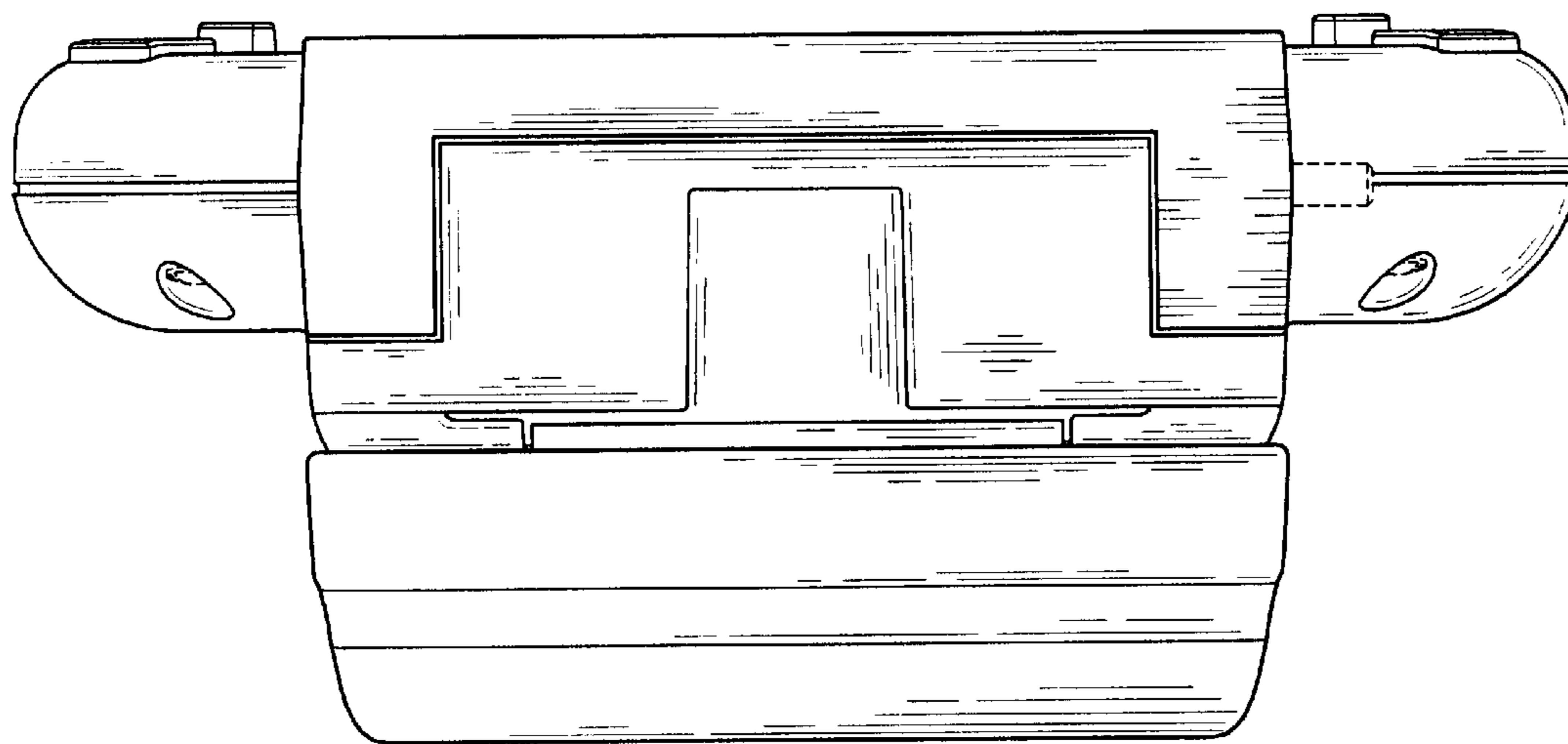


Fig. 8