



US00D513597S

(12) **United States Design Patent**
Dubarry

(10) **Patent No.:** **US D513,597 S**
(45) **Date of Patent:** **** Jan. 17, 2006**

(54) **WATCH**

(76) **Inventor:** **Franck Dubarry**, 2915 Biscayne Blvd.,
#303, Miami, FL (US) 33137

(**) **Term:** **14 Years**

(21) **Appl. No.:** **29/203,326**

(22) **Filed:** **Apr. 13, 2004**

(51) **LOC (8) Cl.** **10-02**

(52) **U.S. Cl.** **D10/38**

(58) **Field of Classification Search** D10/1-39,
D10/122-132; 368/276-278, 281-283, 285,
368/293-295, 286, 82-84, 28-30, 37, 21,
368/239-242, 223, 228, 232, 80, 110, 113;
D11/3-25; 63/1.1, 3, 5, 11; 224/164, 168,
224/178

See application file for complete search history.

(56) **References Cited**

U.S. PATENT DOCUMENTS

- D73,323 S * 8/1927 Kislinger D10/30
- D83,721 S * 3/1931 Cohn D10/39
- D184,270 S * 1/1959 Winkler D10/30
- D278,037 S * 3/1985 Hattori D10/30
- D297,418 S * 8/1988 Thalgott D10/39
- D316,973 S * 5/1991 Fong D10/32
- D321,142 S * 10/1991 Fong D10/32
- D351,565 S * 10/1994 Ito D10/126
- D382,818 S * 8/1997 Houlihan D10/30
- D386,429 S * 11/1997 Brodmann D10/39
- 5,779,113 A * 7/1998 Huang 224/172

- D437,789 S * 2/2001 Wunderman D10/30
- D463,295 S * 9/2002 Dubarry D10/32
- D480,652 S * 10/2003 Streltsov D10/30
- D494,872 S * 8/2004 Hill D10/30

OTHER PUBLICATIONS

Hong Kong Enterprise, Nov., 1985, p. 165, "The Equi Watch"TM.*

U.S. Air Magazine, Aug., 1991, p. 81, The Hamilton "Ventura" watch.*

* cited by examiner

Primary Examiner—Lucy Lieberman

(74) *Attorney, Agent, or Firm*—Robert L. Tucker

(57) **CLAIM**

The ornamental design for a watch, substantially as shown and described.

DESCRIPTION

FIG. 1 is a front elevation of a watch showing my new design;

FIG. 2 is a top plan view thereof;

FIG. 3 is a side elevation as seen from the right side of FIG. 1;

FIG. 4 is a rear elevation thereof; and,

FIG. 5 is a bottom plan view thereof.

The broken lines shown in the figures are for illustrative purposes only and form no part of the claimed design.

The broken lines merely show the environment in which the claimed design may be used.

1 Claim, 2 Drawing Sheets

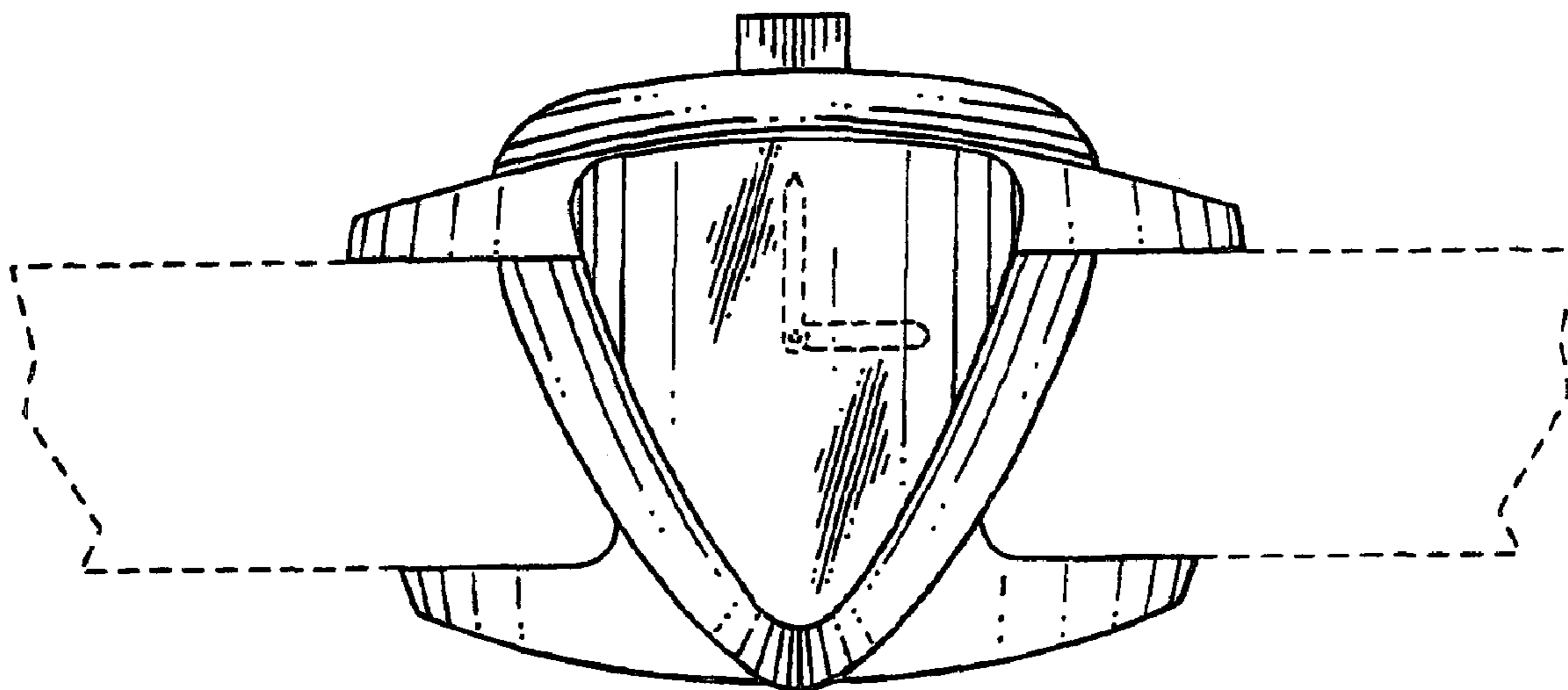


FIG. 1

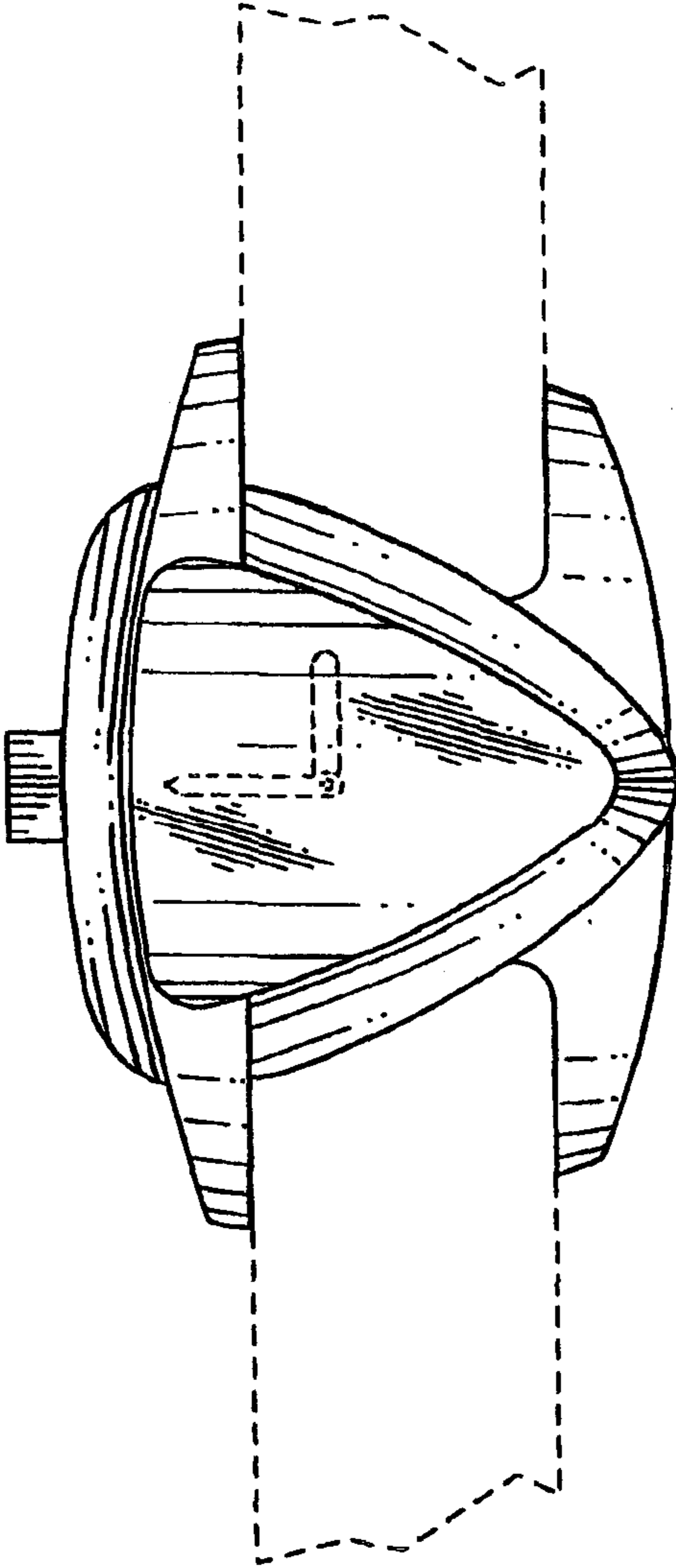


FIG. 3

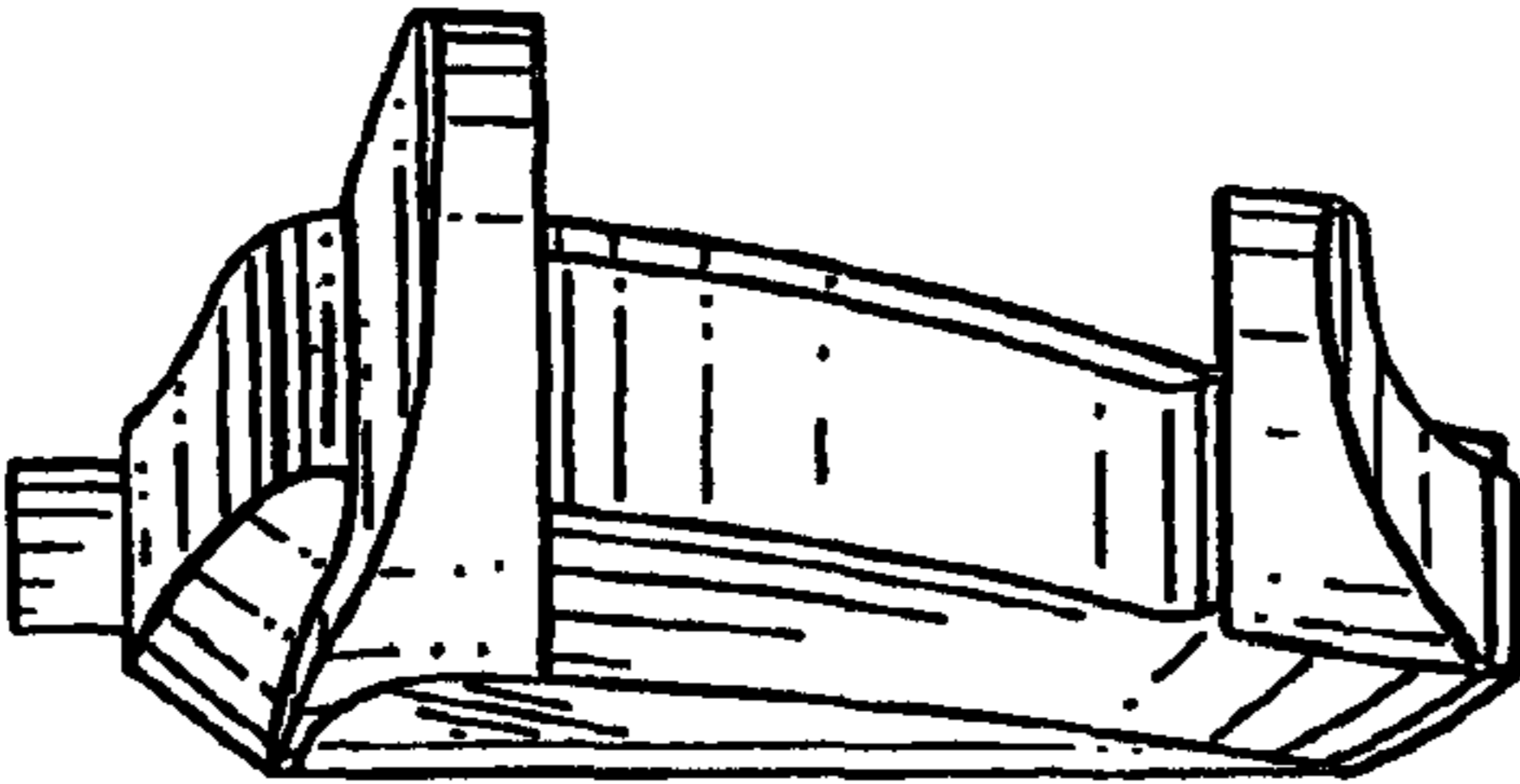


FIG. 2

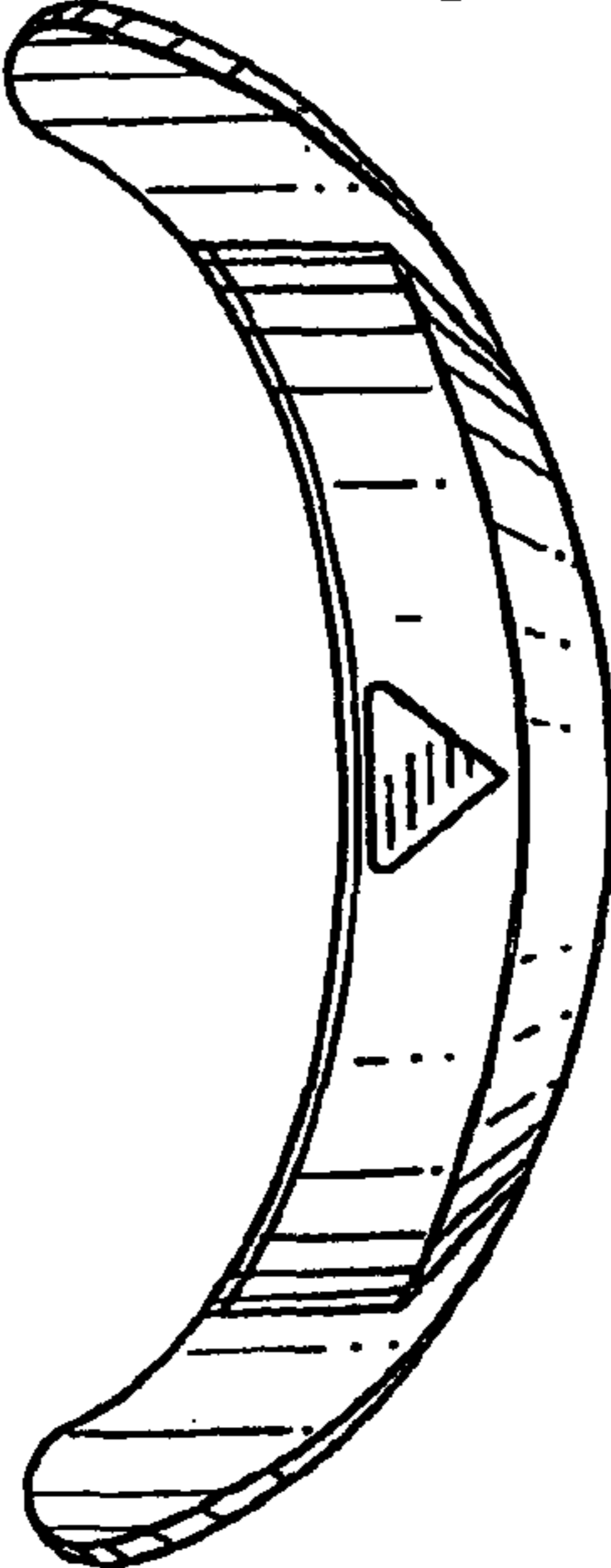


FIG. 4

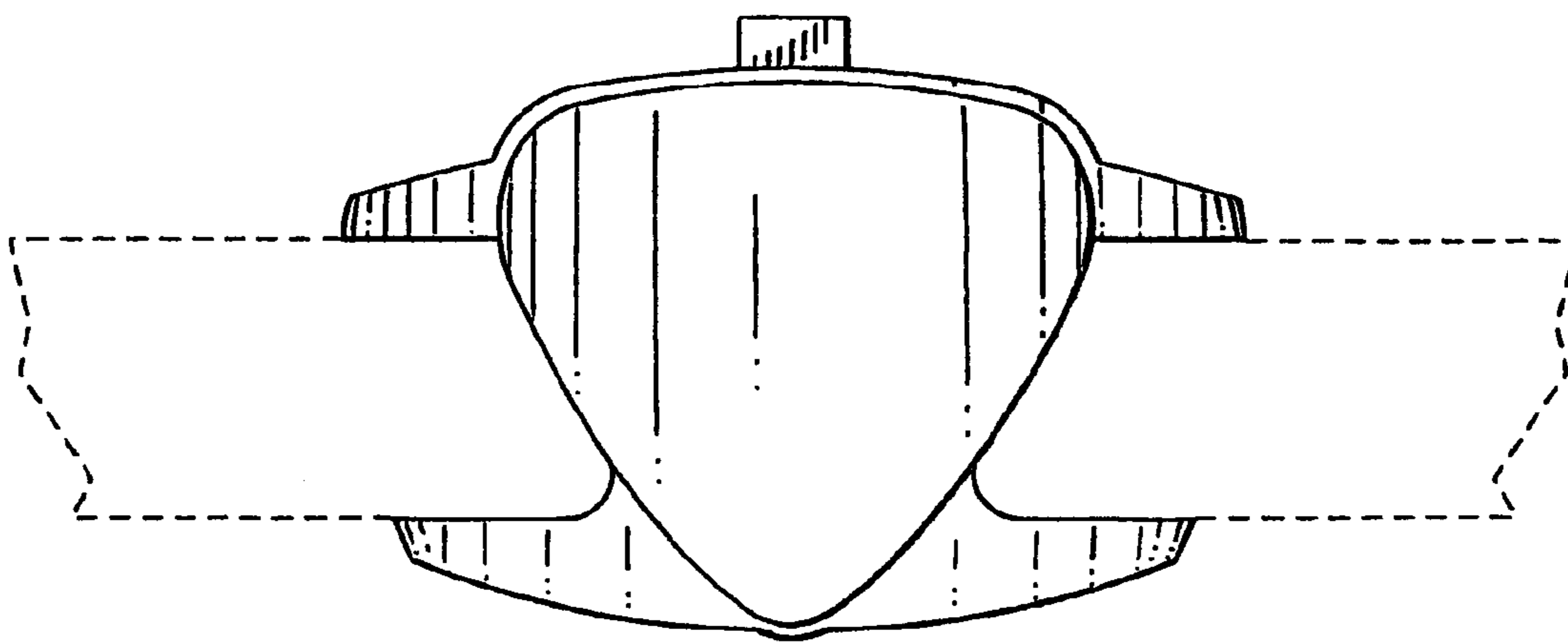


FIG. 5

