



US00D513588S

(12) **United States Design Patent**
Vovan

(10) **Patent No.:** **US D513,588 S**
(45) **Date of Patent:** **** Jan. 17, 2006**

(54) **BUNDT CAKE CONTAINER BASE**

(75) **Inventor:** **Terry Vovan, Rialto, CA (US)**

(73) **Assignee:** **PWP Industries, Vernon, CA (US)**

(**) **Term:** **14 Years**

(21) **Appl. No.:** **29/187,263**

(22) **Filed:** **Jul. 29, 2003**

(51) **LOC (8) Cl.** **09-07**

(52) **U.S. Cl.** **D9/455; D9/456; D9/452;**
D9/454

(58) **Field of Classification Search** **D9/755,**
D9/732, 499, 456, 455, 453, 452, 432, 431,
D9/429, 428, 425, 424, 418, 414; D7/672,
D7/641, 629, 610, 608, 602, 601, 587, 584,
D7/501; D3/272, 269; 426/114, 106; 229/906,
229/904, 903, 902, 407, 406; 220/DIG. 12,
220/675, 672, 670, 669, 574, 556, 4.26, 306,
220/557, 508, 203; D12/207, 208

See application file for complete search history.

(56) **References Cited**

U.S. PATENT DOCUMENTS

D103,307 S * 2/1937 Cory D7/601

D163,110 S * 5/1951 Forman D7/501
D218,804 S * 9/1970 Doubleday D9/429
D219,670 S * 1/1971 Swett et al. D7/672
D288,052 S * 2/1987 Daenen et al. D7/672
D301,956 S * 7/1989 Newton D7/501
D371,964 S * 7/1996 Krupa D9/429
D379,587 S * 6/1997 Goins et al. D9/429
5,685,453 A * 11/1997 Goins et al. 220/675
D389,403 S * 1/1998 Rahr D9/428

* cited by examiner

Primary Examiner—Robert M. Spear

Assistant Examiner—Susan Bennett Hattan

(74) *Attorney, Agent, or Firm*—Leon D. Rosen

(57) **CLAIM**

The ornamental design for bundt cake container base, as shown and described.

DESCRIPTION

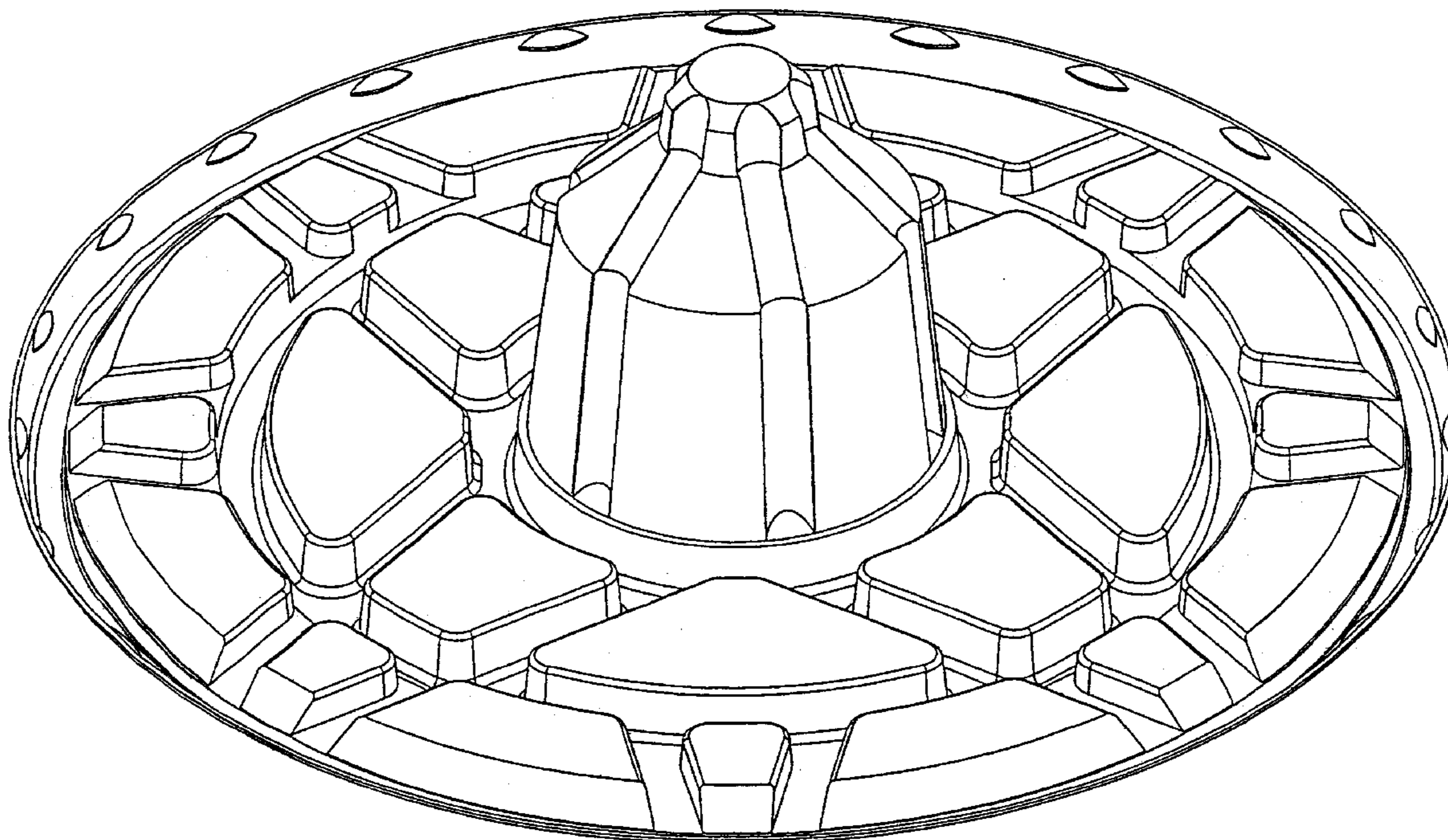
FIG. 1 is a top isometric view of a bundt cake base showing my design.

FIG. 2 is a front elevation view thereof, the rear, left side, and right side views being identical thereto.

FIG. 3 is a plan view thereof; and,

FIG. 4 is a bottom view thereof.

1 Claim, 4 Drawing Sheets



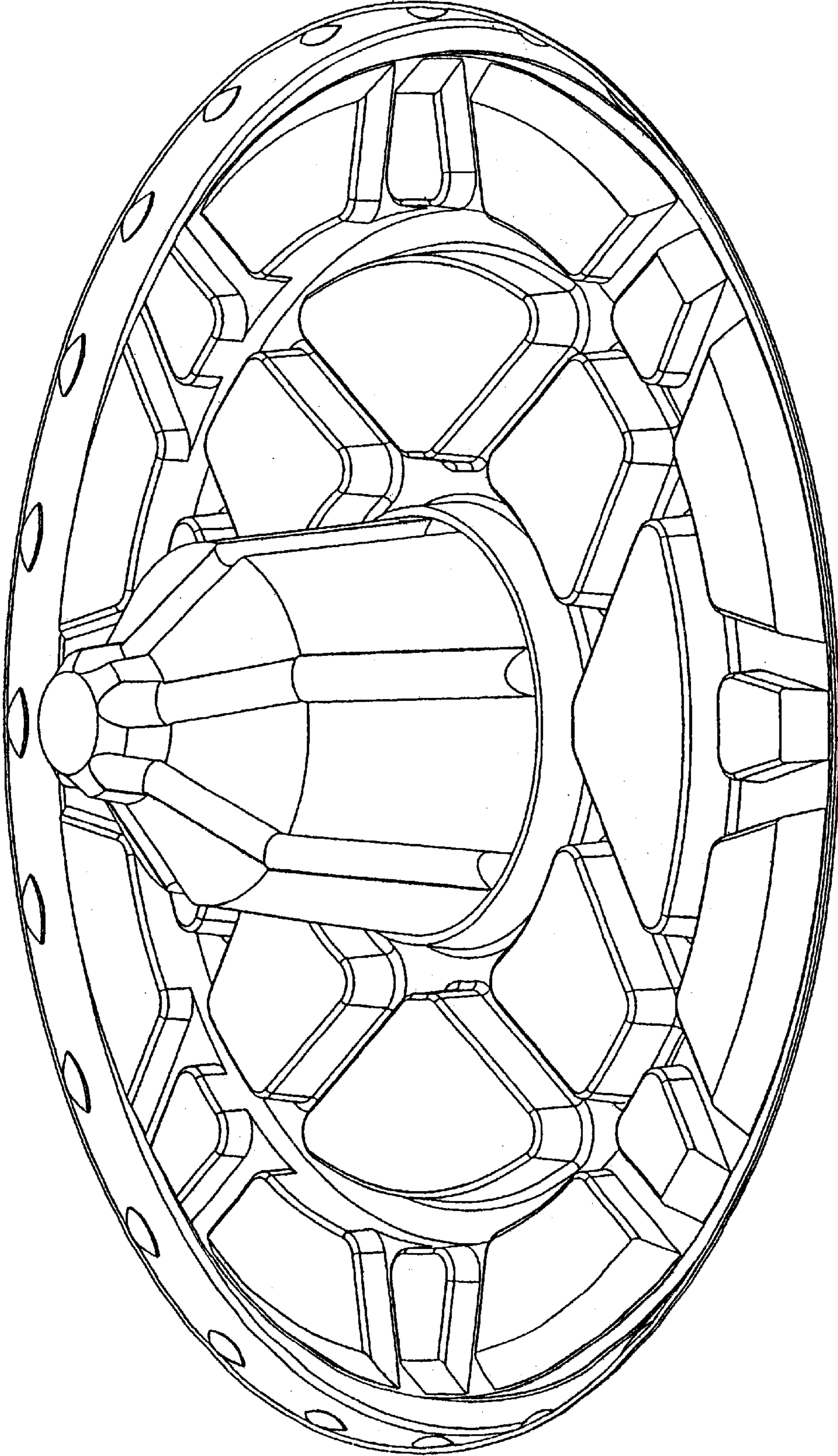


FIG. 1

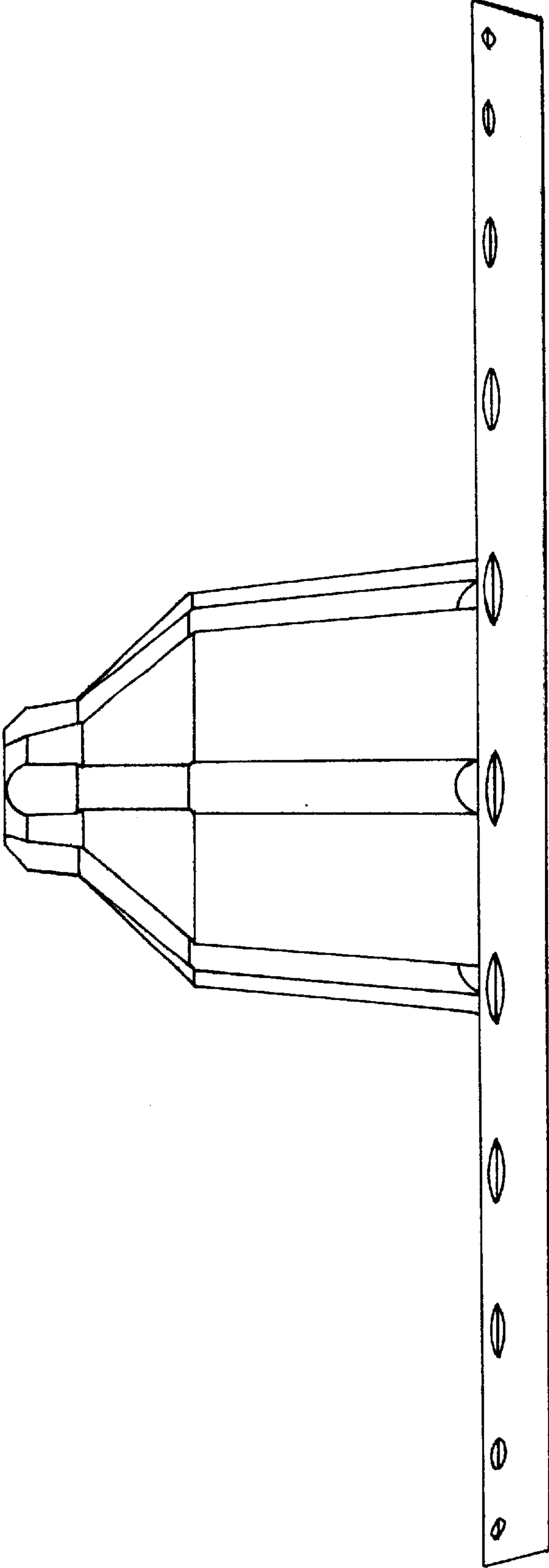


FIG. 2

FIG. 3

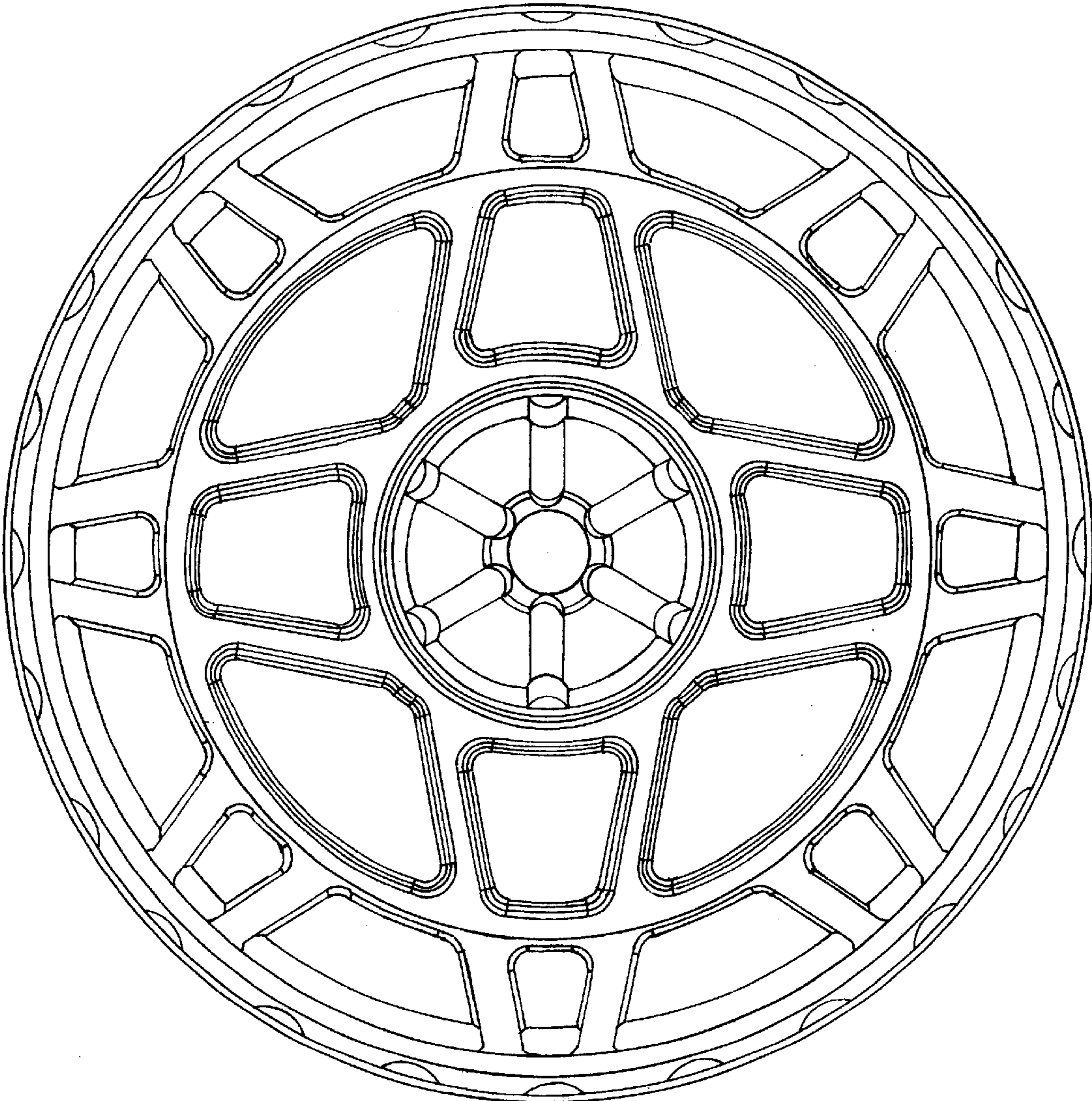


FIG. 4

