



US00D513584S

(12) **United States Design Patent**  
**Solowiejko et al.**

(10) **Patent No.: US D513,584 S**  
(45) **Date of Patent: \*\* Jan. 17, 2006**

- (54) **DOUBLE HINGE CONTAINER WITH HINGED DOOR**
- (75) Inventors: **George Solowiejko**, Rockford, IL (US);  
**Edward Cronin**, Brodhead, WI (US)
- (73) Assignee: **J. L. Clark, Inc.**, Rockford, IL (US)
- (\*\*) Term: **14 Years**
- (21) Appl. No.: **29/200,095**
- (22) Filed: **Feb. 24, 2004**
- (51) **LOC (8) Cl. .... 09-03**
- (52) **U.S. Cl. .... D9/417; D9/416; D9/424; D9/430; D3/294**
- (58) **Field of Classification Search** ..... D9/414-417, D9/420-424, 426, 430, 435, 436; D3/201, D3/273, 282, 294; 206/806, 822; 229/125.08, 229/125.09, 125.14, 123.1; 220/253, 810, 220/254.1-254.7, 836, 376, 377, 259.1, DIG. 12  
See application file for complete search history.

(56) **References Cited**

**U.S. PATENT DOCUMENTS**

3,155,285 A	11/1964	Van Baam	
D200,270 S	2/1965	Waterman	
D204,509 S	4/1966	Waterman	
3,322,308 A	5/1967	Foster	
3,872,996 A *	3/1975	Dogliotti	220/254.7
D238,469 S *	1/1976	Lanius	D6/518
4,024,976 A	5/1977	Acton	
4,433,808 A *	2/1984	Gordon et al.	229/123.2
D278,115 S	3/1985	Leininger	
4,759,478 A *	7/1988	Richardson et al.	222/556
4,898,292 A	2/1990	VerWeyst et al.	
D312,190 S	11/1990	Ciaccio	
D328,710 S *	8/1992	Deflander	D9/529
5,139,181 A	8/1992	VerWeyst	
D339,528 S	9/1993	Rueppel	

5,337,911 A *	8/1994	Holub	220/254.3
D364,344 S *	11/1995	Shaw	D9/421
5,779,082 A	7/1998	Miramón	
D397,247 S *	8/1998	Gardner et al.	D3/203.2
D430,022 S *	8/2000	Goettner	D9/416
D431,458 S	10/2000	Bried et al.	
D446,722 S	8/2001	Morrow	
D448,295 S	9/2001	Mozes	
D450,586 S	11/2001	Kick	
D464,567 S	10/2002	Baerenwald et al.	
6,510,981 B1 *	1/2003	Deering et al.	229/125.05
D473,107 S	4/2003	McGuyer	
D485,754 S *	1/2004	Fielder et al.	D9/416
D486,390 S *	2/2004	Auclair et al.	D9/416
D491,065 S	6/2004	Solowiejko et al.	
D492,200 S	6/2004	Solowiejko et al.	
D496,271 S *	9/2004	Hoeltgen	D9/424
D497,106 S	10/2004	Solowiejko et al.	

\* cited by examiner

*Primary Examiner*—Prabhakar Deshmukh  
(74) *Attorney, Agent, or Firm*—Leydig, Voit & Mayer, Ltd.

(57) **CLAIM**

The ornamental design for the double hinge container with hinged door, as shown and described.

**DESCRIPTION**

FIG. 1 is a perspective view of a double hinge container with hinged door showing our new design;  
FIG. 2 is a bottom perspective view thereof;  
FIG. 3 is a top plan view thereof;  
FIG. 4 is a front elevational view thereof;  
FIG. 5 is a left side elevational view thereof;  
FIG. 6 is a bottom plan view thereof;  
FIG. 7 is a rear elevational view thereof; and,  
FIG. 8 is a right side elevational view thereof.  
The broken lines are for illustrative purpose only and form no part of the claimed design.

**1 Claim, 3 Drawing Sheets**

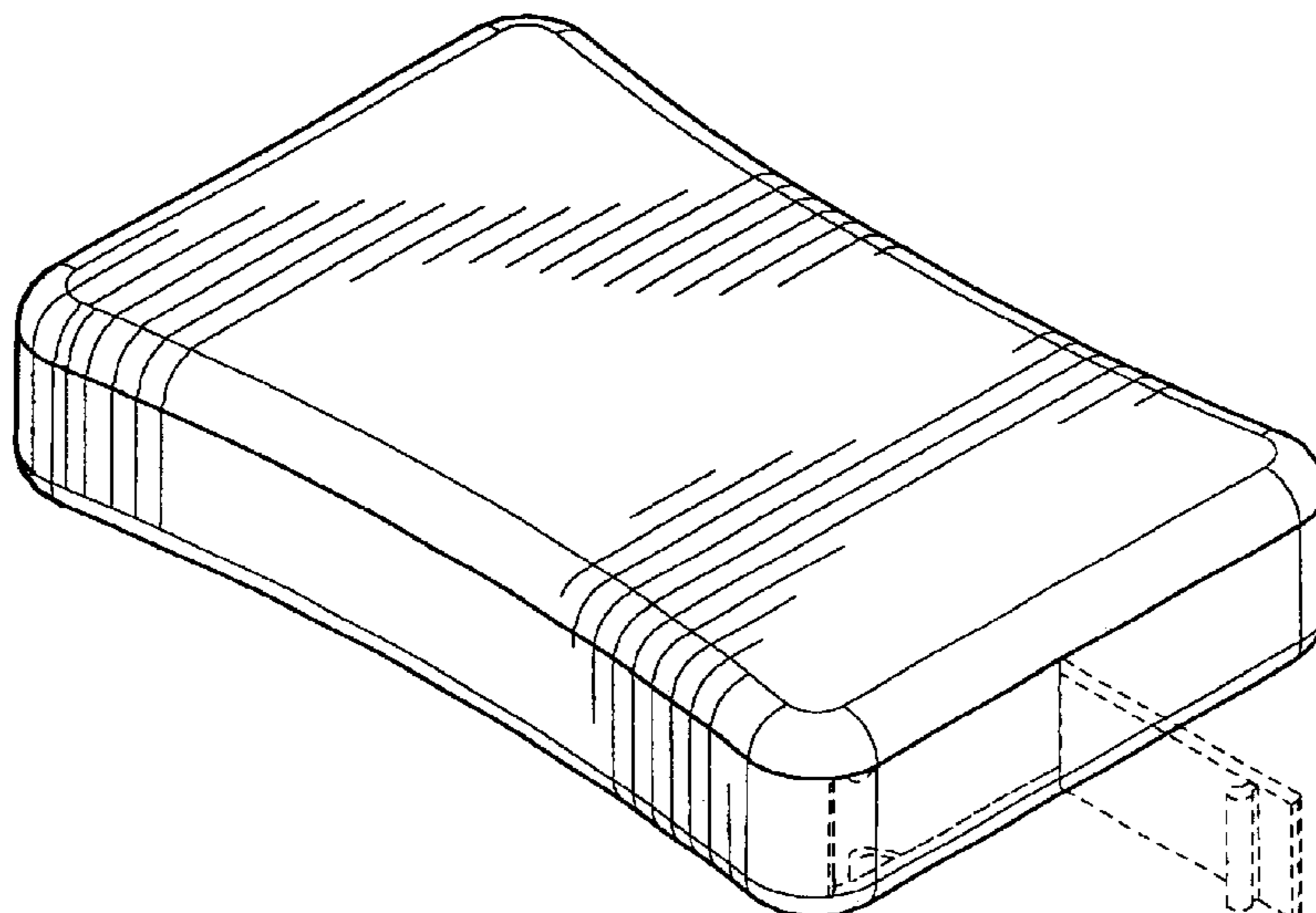


FIG. 1

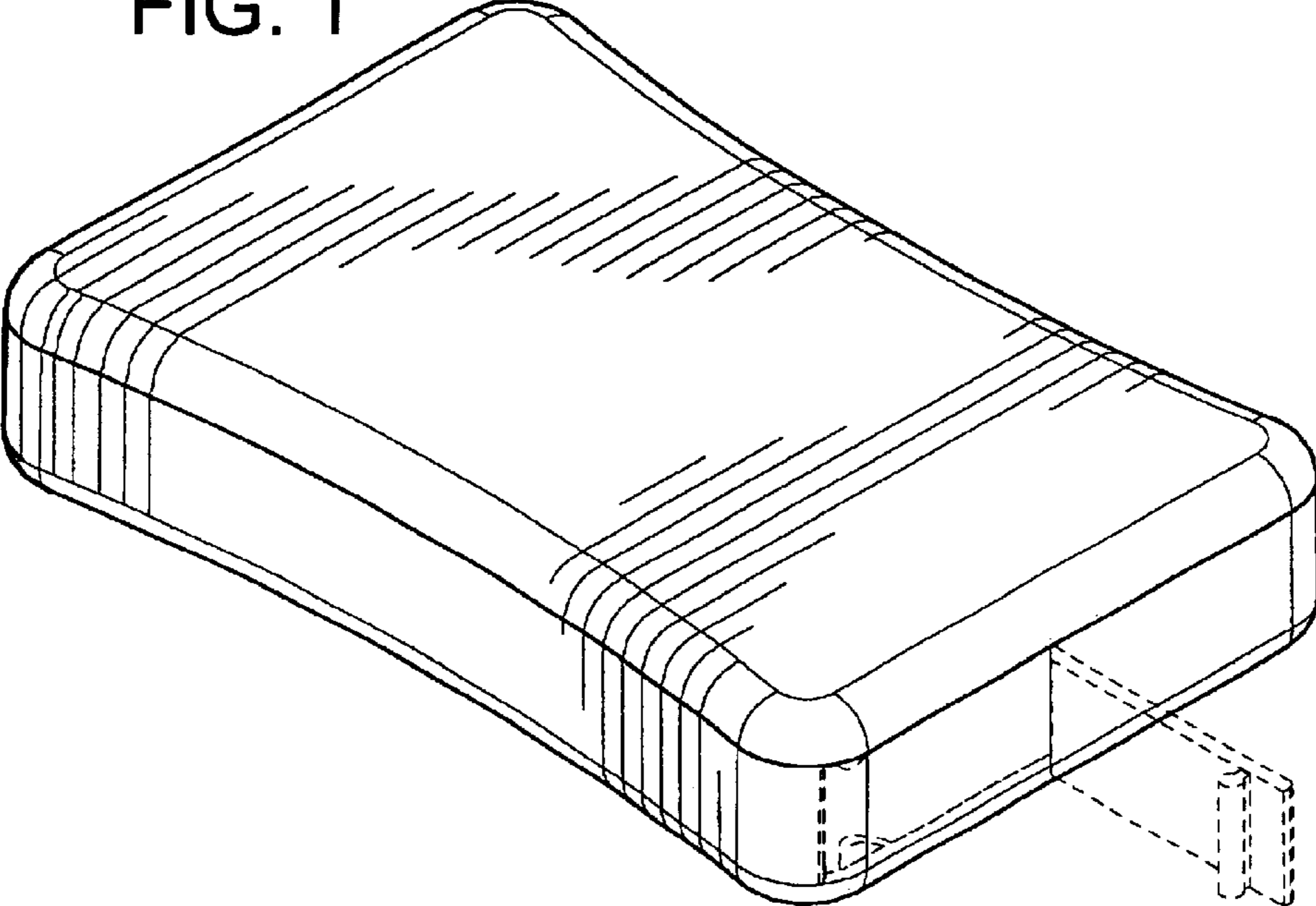
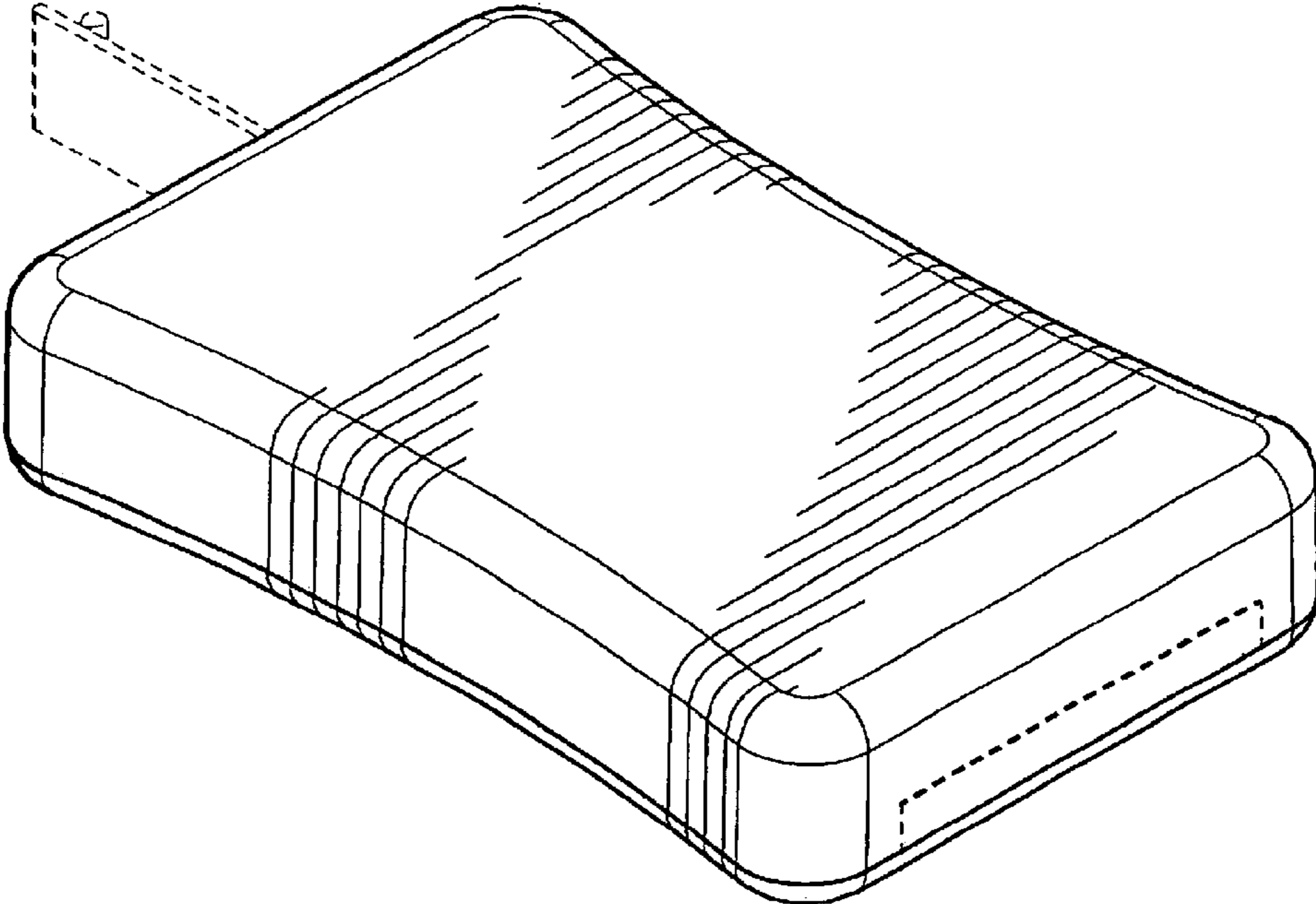


FIG. 2



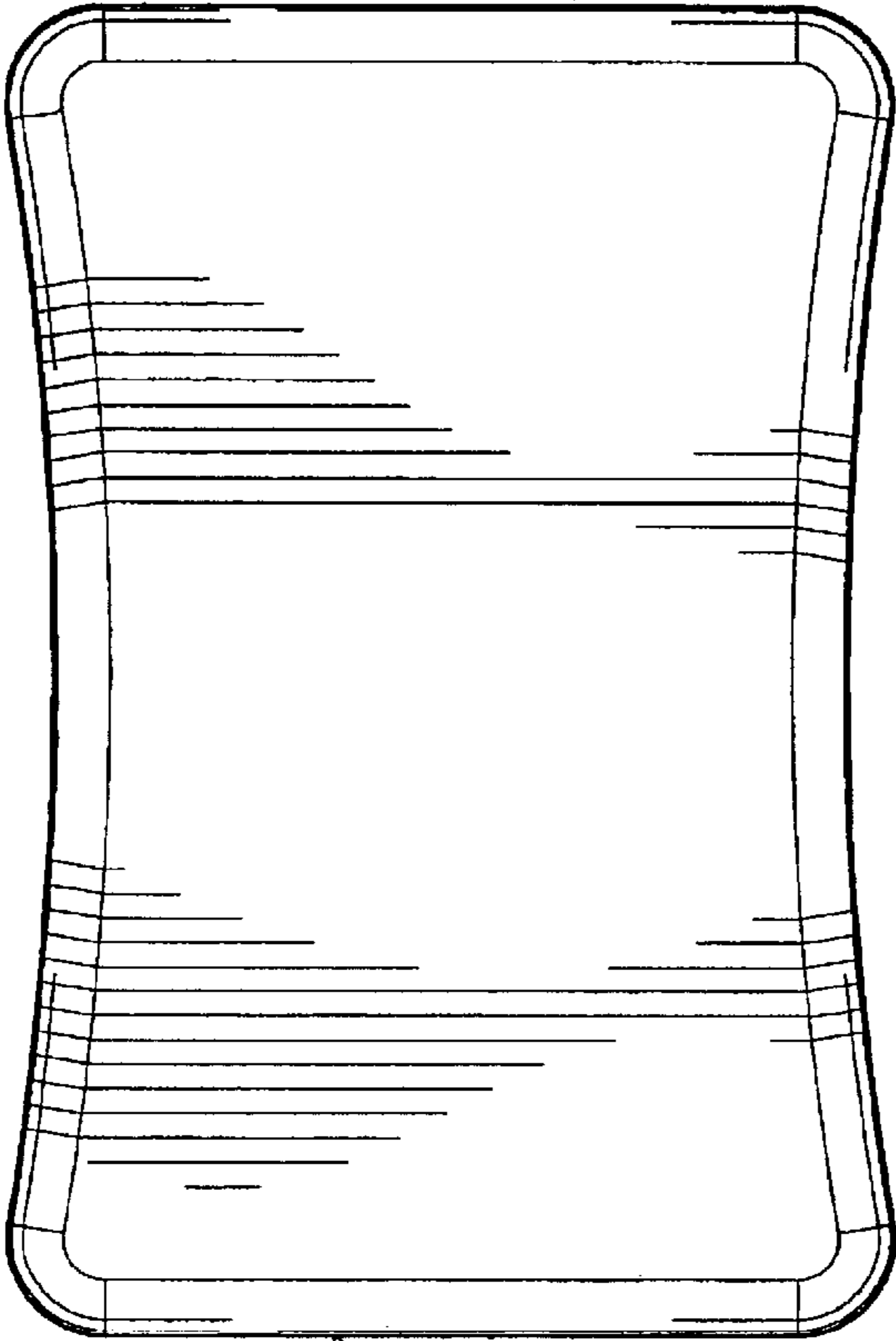


FIG. 3

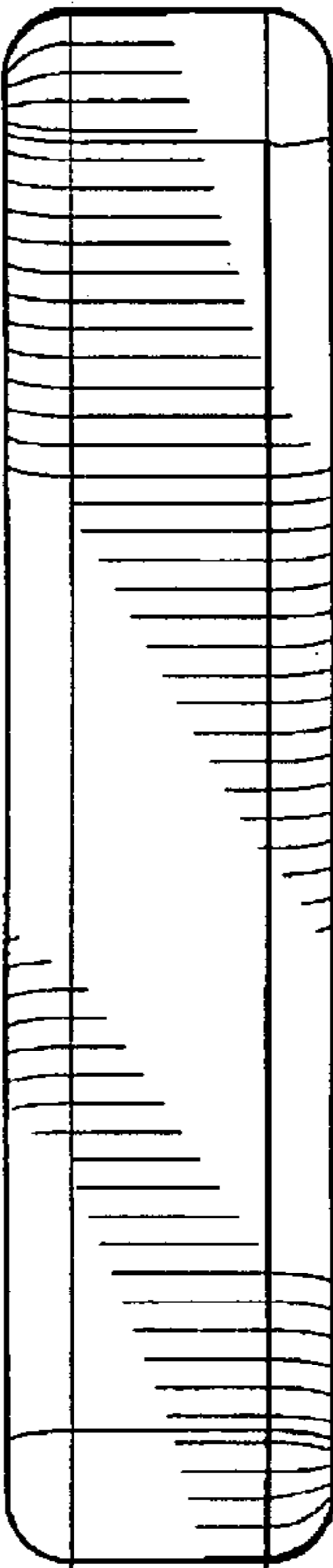


FIG. 4

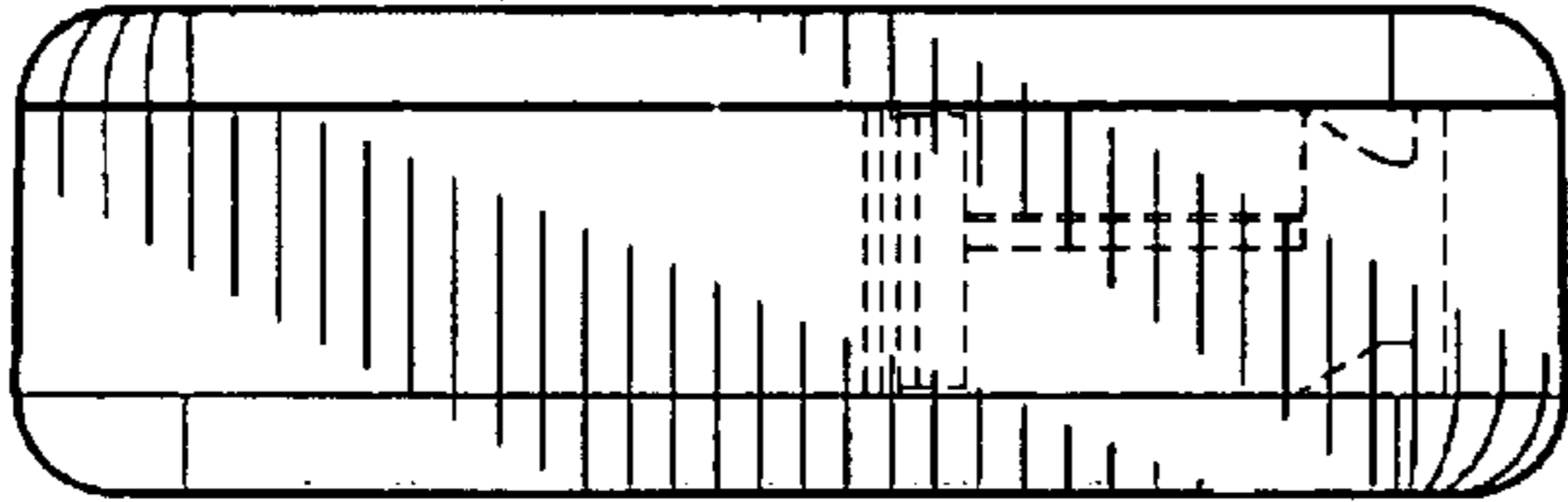


FIG. 5

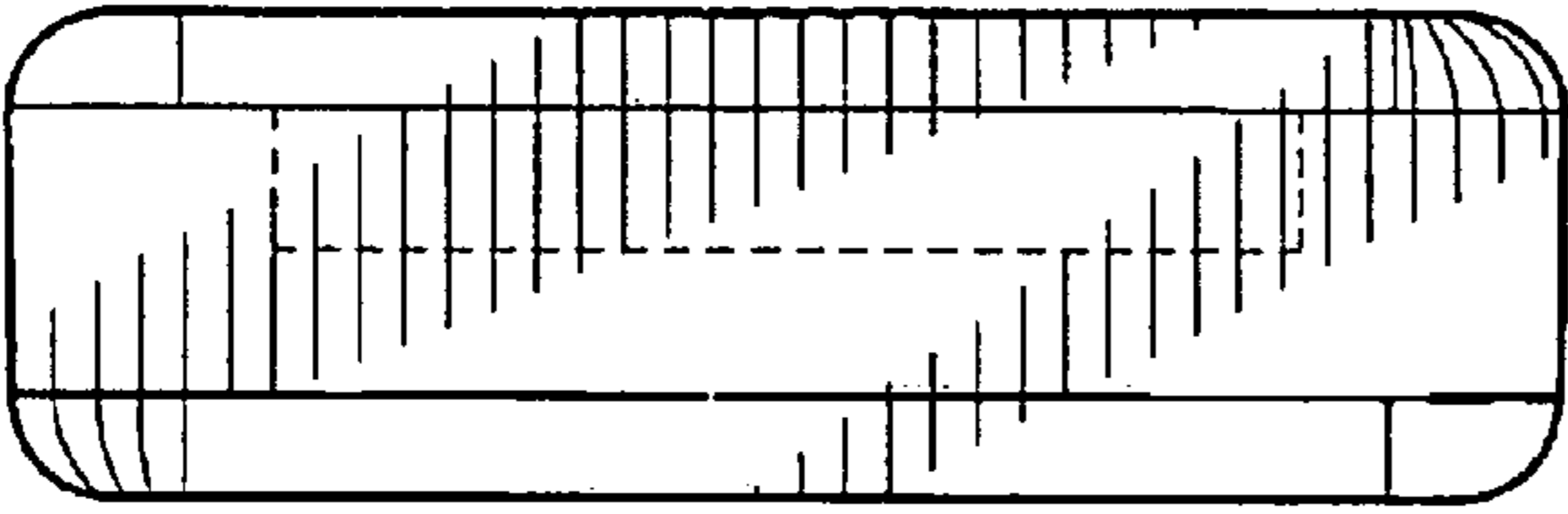


FIG. 8

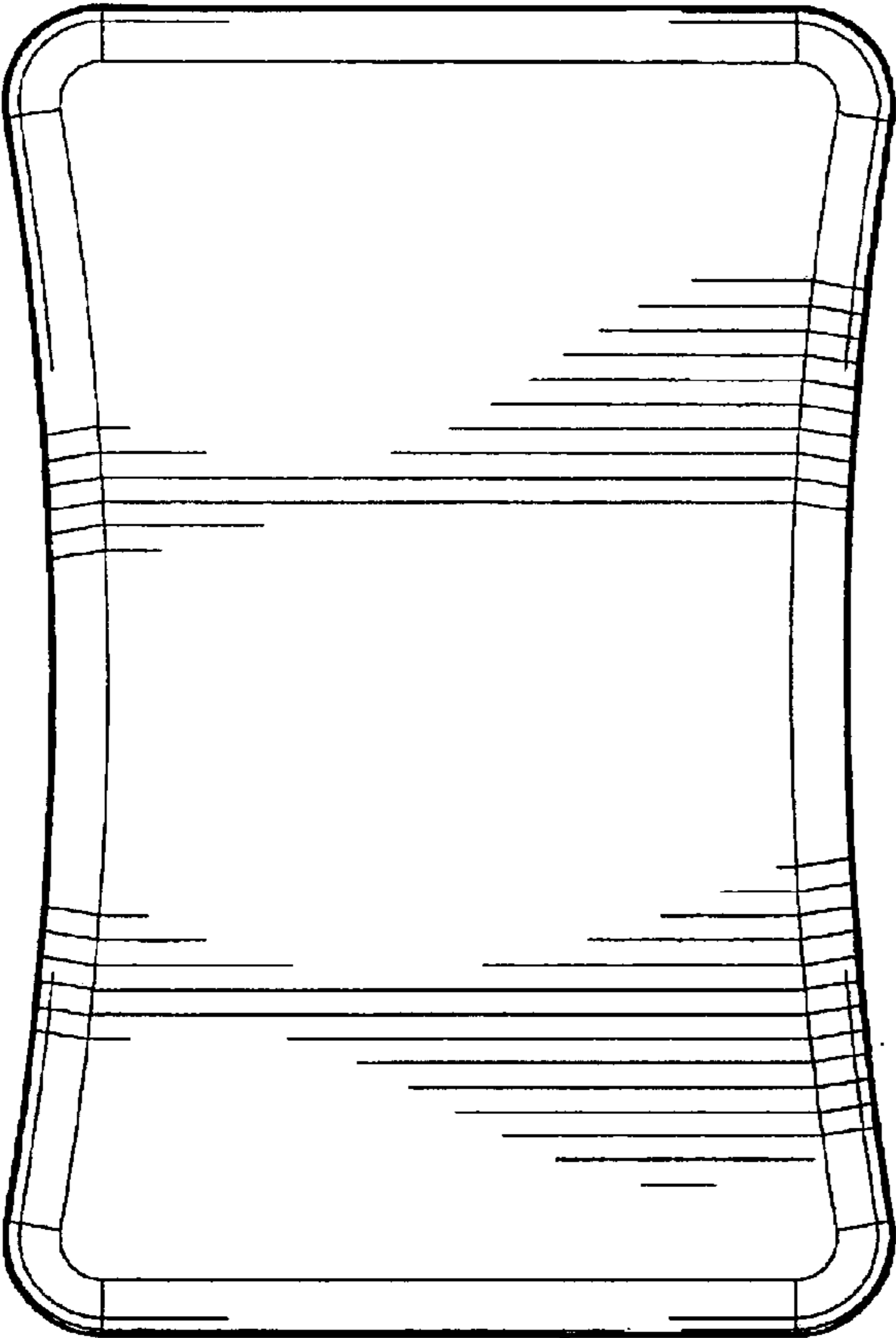


FIG. 6

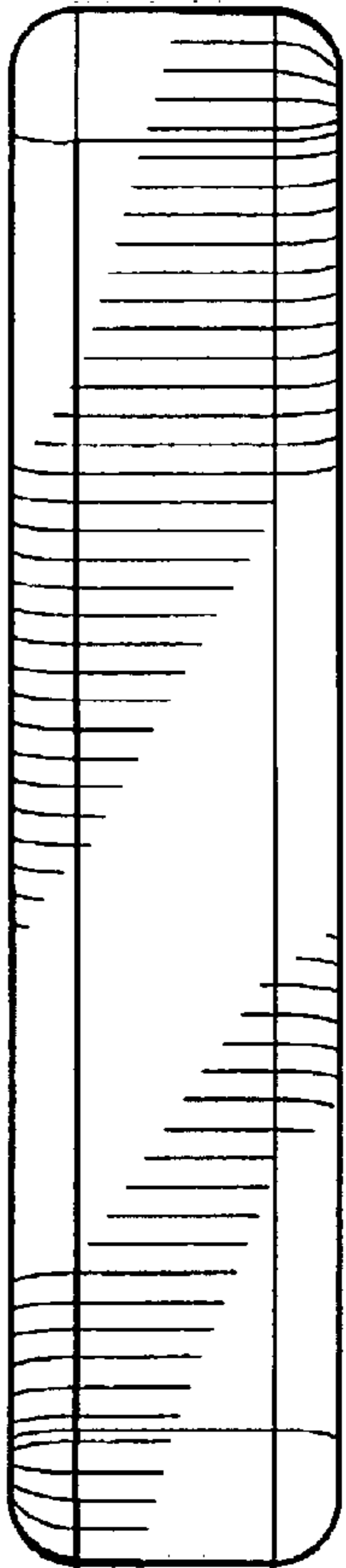


FIG. 7