



US00D513583S

(12) **United States Design Patent** (10) **Patent No.:** **US D513,583 S**  
**Chase** (45) **Date of Patent:** **\*\* Jan. 17, 2006**

(54) **FURNITURE LEG CAP**  
 (76) Inventor: **John Chase**, 1919 Vinsetta Ct.,  
 Rochester, MI (US) 48306  
 (\*\*) Term: **14 Years**  
 (21) Appl. No.: **29/199,696**  
 (22) Filed: **Feb. 18, 2004**  
 (51) **LOC (8) Cl.** ..... **08-05**  
 (52) **U.S. Cl.** ..... **D8/374**  
 (58) **Field of Classification Search** ..... D8/374;  
 D7/624.1, 625; 248/188.9, 188.8  
 See application file for complete search history.

D340,638 S 10/1993 Campbell ..... D8/374  
 5,426,818 A 6/1995 Bushey ..... 16/42 R  
 D376,753 S 12/1996 Nakamura ..... D8/374  
 6,405,982 B2 6/2002 Ferencz ..... 248/188.9  
 2003/0163894 A1 9/2003 Jones et al. .... 16/42 R

\* cited by examiner

*Primary Examiner*—Holly H. Baynham  
 (74) *Attorney, Agent, or Firm*—Bliss McGlynn, P.C.

(57) **CLAIM**

The ornamental design for a furniture leg cap, as shown and described.

**DESCRIPTION**

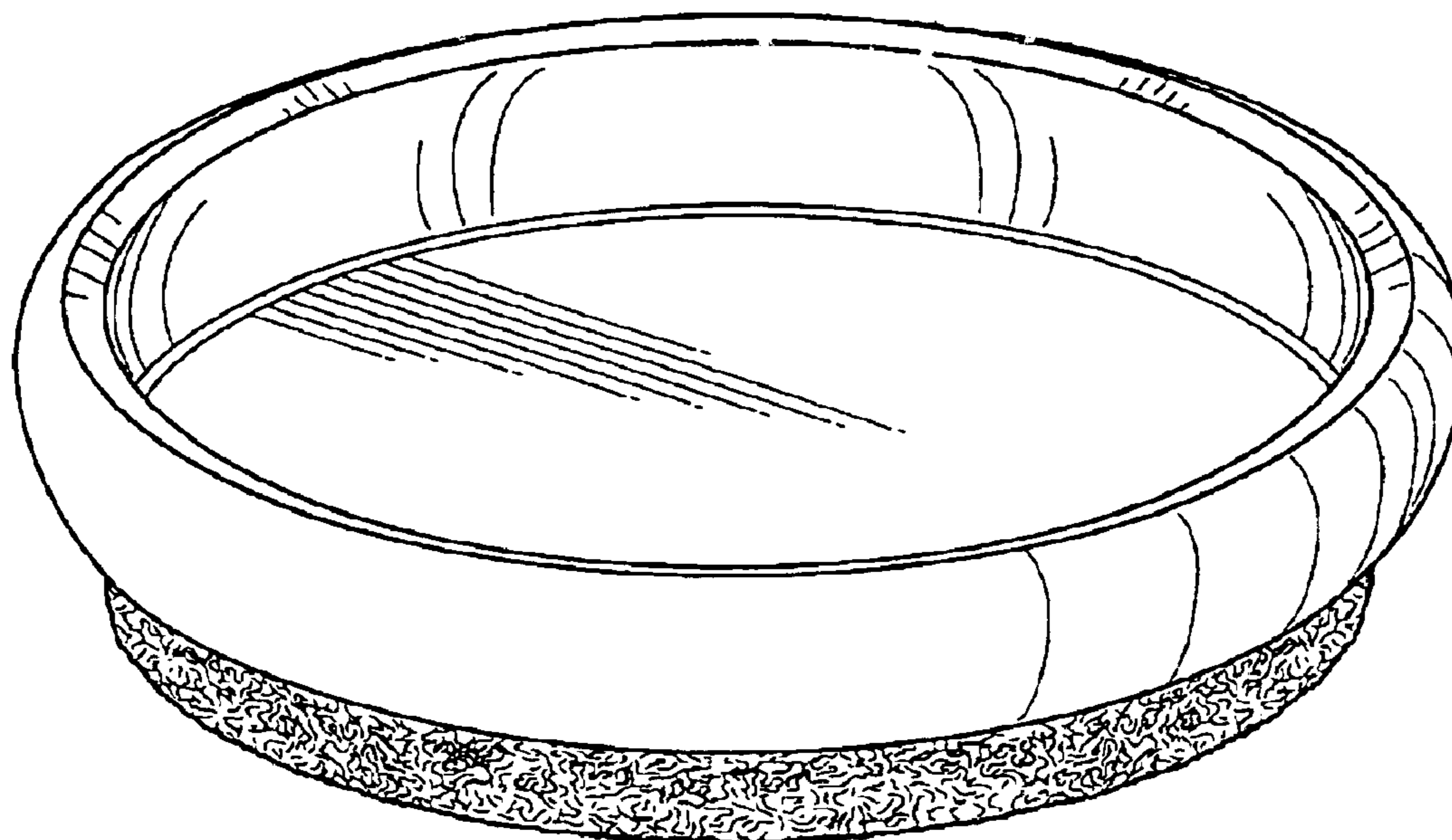
FIG. 1 is a perspective view of the furniture leg cap design of the present invention;  
 FIG. 2 is a top view thereof;  
 FIG. 3 is a front view thereof;  
 FIG. 4 is a bottom side view thereof;  
 FIG. 5 is a rear view thereof;  
 FIG. 6 is a left side view thereof; and,  
 FIG. 7 is a right view thereof.

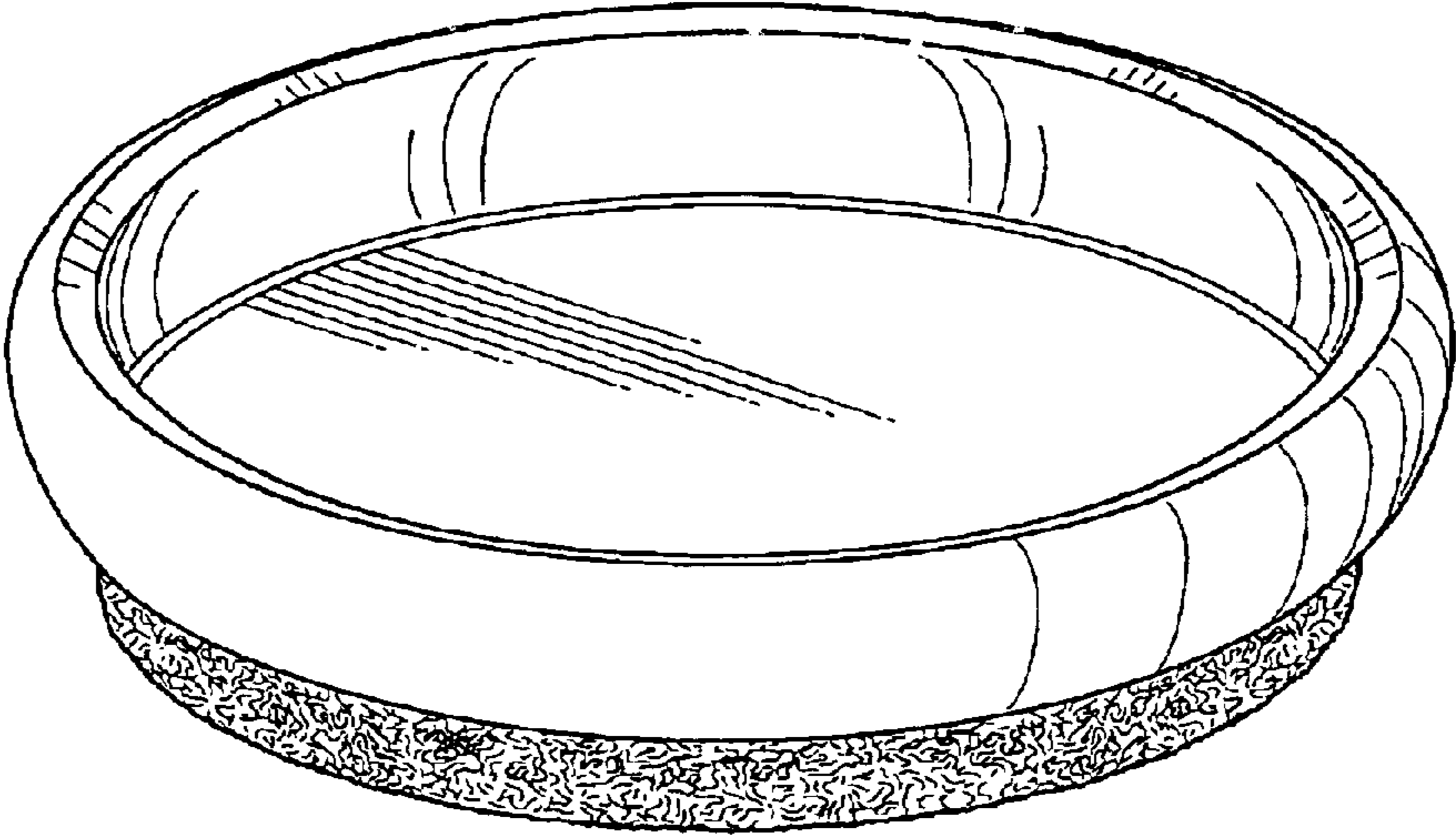
**1 Claim, 3 Drawing Sheets**

(56) **References Cited**

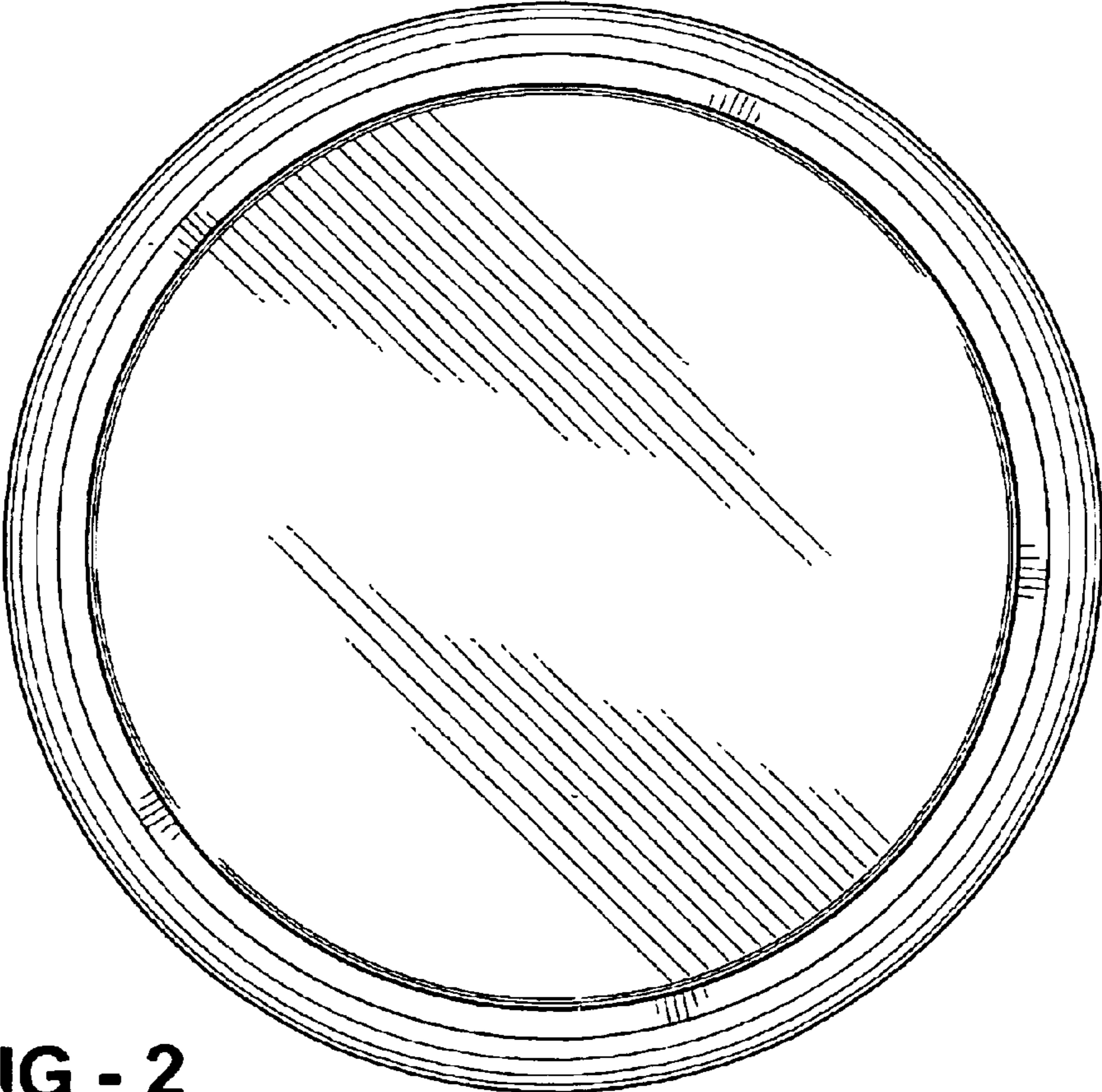
**U.S. PATENT DOCUMENTS**

D44,996 S \* 12/1913 Buser ..... D8/374  
 1,915,272 A \* 6/1933 Duncan, Jr. .... 248/188.9  
 D167,876 S \* 9/1952 Auer ..... D8/374  
 2,875,552 A \* 3/1959 Stillman ..... 248/188.9  
 5,081,740 A 1/1992 Smith ..... 16/42 R  
 D336,205 S \* 6/1993 Cooper ..... D7/624.1  
 5,220,705 A 6/1993 Bushey ..... 16/42 R

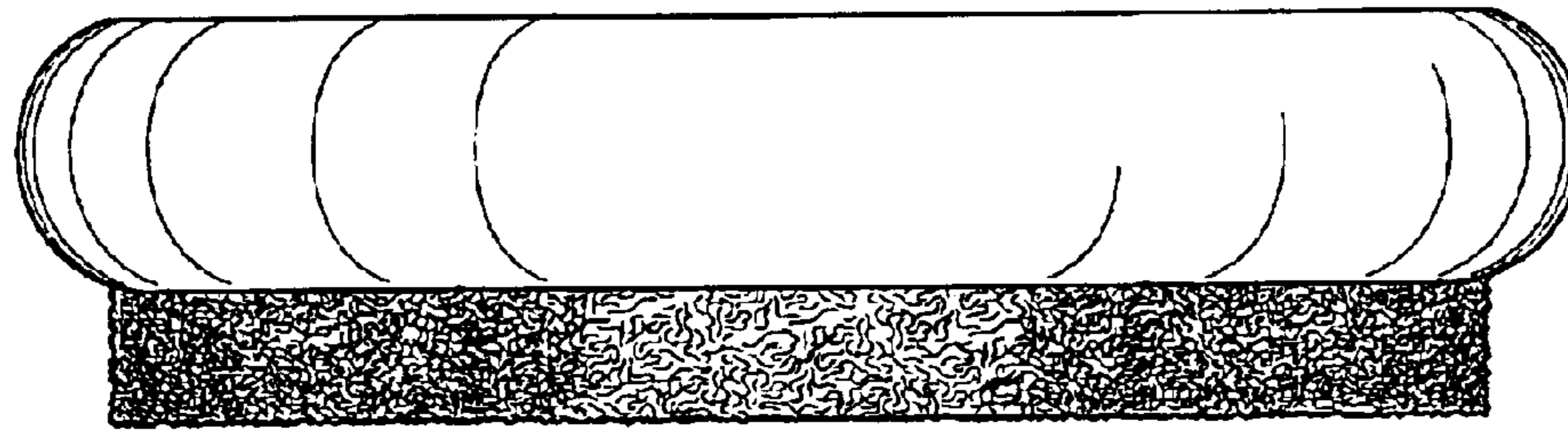




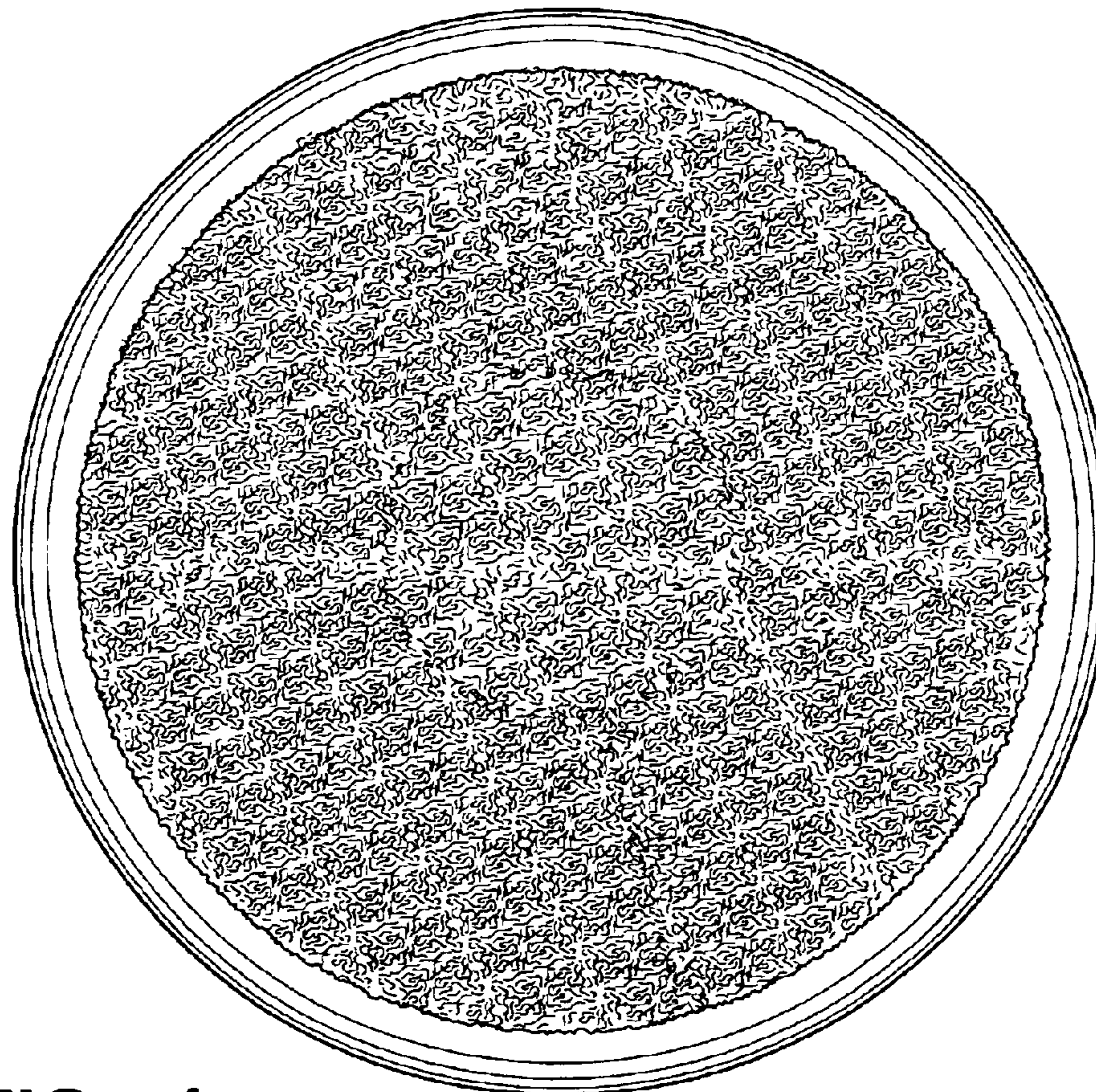
**FIG - 1**



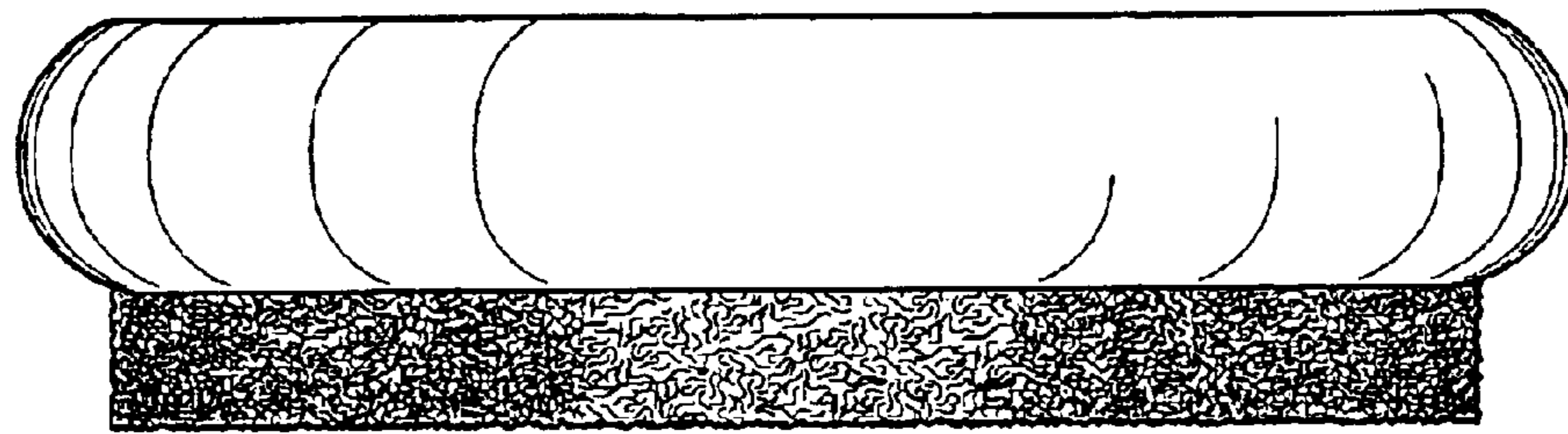
**FIG - 2**



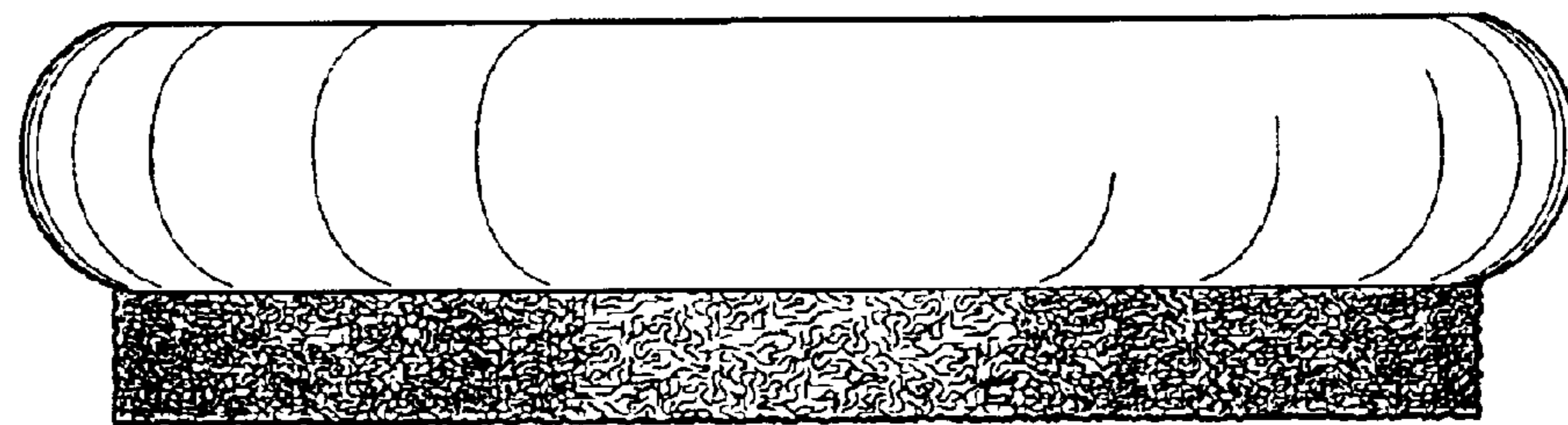
**FIG - 3**



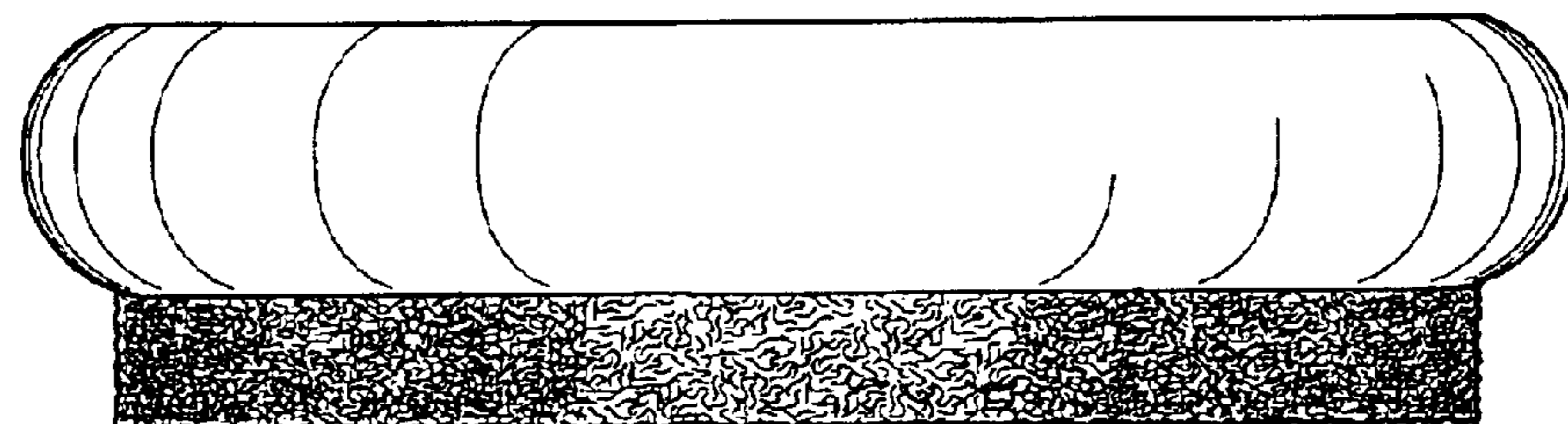
**FIG - 4**



**FIG - 5**



**FIG - 6**



**FIG - 7**