



US00D513582S

(12) **United States Design Patent**
Osiecki et al.

(10) **Patent No.:** **US D513,582 S**
(45) **Date of Patent:** **** Jan. 17, 2006**

(54) **KEYPAD FOR A LOCKING MECHANISM**

D484,390 S * 12/2003 Abernethy et al. D8/331
D495,578 S * 9/2004 Sampson et al. D8/330
6,919,824 B2 * 7/2005 Lee 341/20

(75) Inventors: **Scott W. Osiecki**, Skaneateles, NY
(US); **Donwoong Kang**, Syracuse, NY
(US)

* cited by examiner

(73) Assignee: **John D. Brush & Co., Inc.**, Rochester,
NY (US)

Primary Examiner—Prabhakar Deshmukh
(74) *Attorney, Agent, or Firm*—Jaeckle Fleischmann &
Mugel, LLP

(**) Term: **14 Years**

(57) **CLAIM**

(21) Appl. No.: **29/213,510**

The ornamental design for a keypad for a locking mecha-
nism, as shown and described.

(22) Filed: **Sep. 17, 2004**

DESCRIPTION

(51) **LOC (8) Cl.** **08-07**

(52) **U.S. Cl.** **D8/343; D8/331**

(58) **Field of Classification Search** D8/330,
D8/331, 343, 346, 301; 70/14, 20, 57, 58,
70/22, 158, 266, 277, 286, 291, 294, 448,
70/51, 52, 416, 333 R

See application file for complete search history.

FIG. 1 is a left front perspective view of one embodiment of
our new keypad for a locking mechanism according to the
present invention;

FIG. 2 is a front view of the keypad shown in FIG. 1;

FIG. 3 is a top view of the keypad shown in FIG. 1;

FIG. 4 is a bottom view of the keypad shown in FIG. 1;

FIG. 5 is a left side view of the keypad shown in FIG. 1;

FIG. 6 is a left front perspective view of another embodi-
ment of our new keypad for a locking mechanism according
to the present invention;

FIG. 7 is a front view of the keypad shown in FIG. 6;

FIG. 8 is a top view of the keypad shown in FIG. 6;

FIG. 9 is a bottom view of the keypad shown in FIG. 6; and,

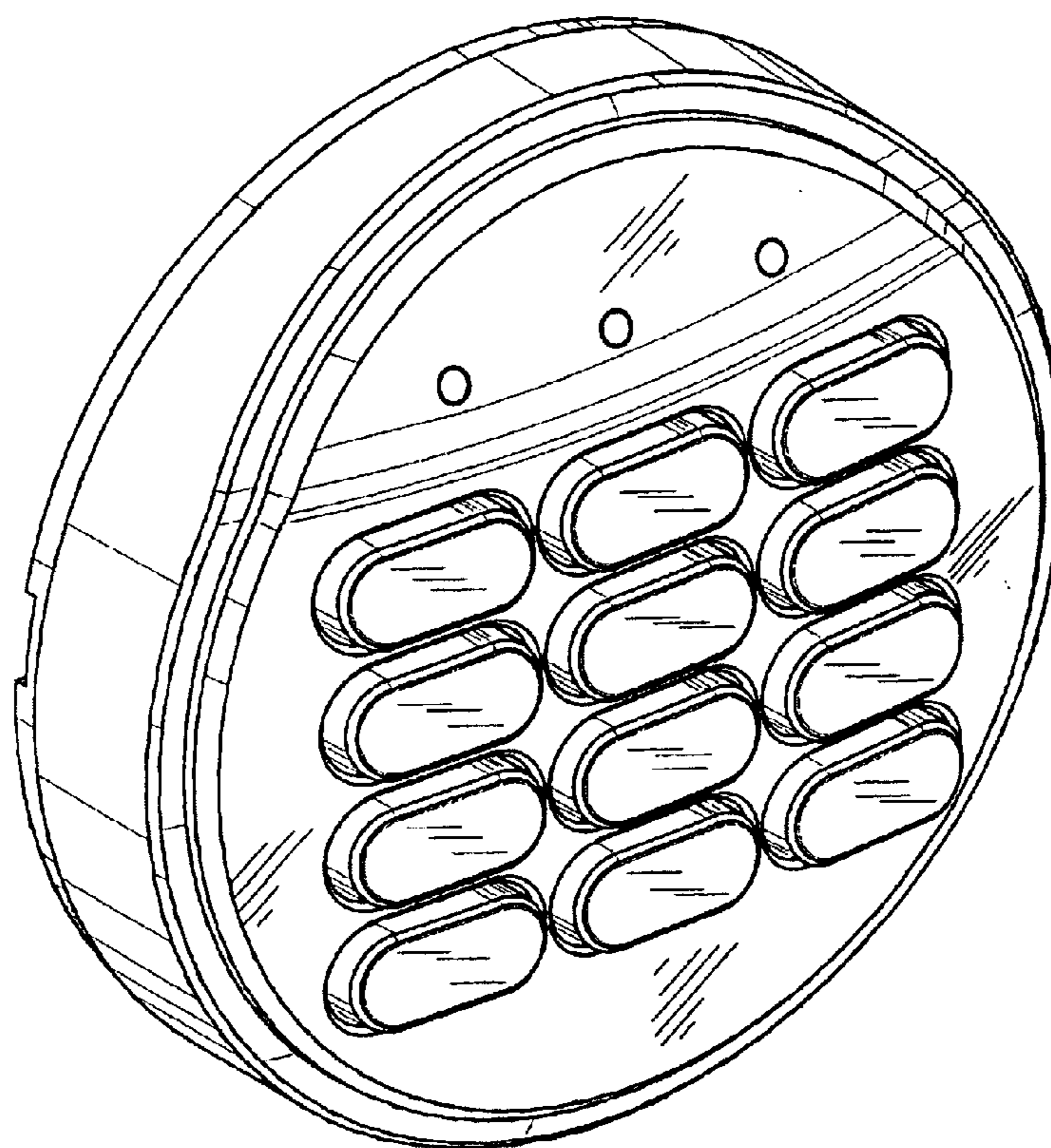
FIG. 10 is a left side view of the keypad shown in FIG. 6.

(56) **References Cited**

U.S. PATENT DOCUMENTS

5,475,996 A * 12/1995 Chen 70/279.1
D399,408 S * 10/1998 Hill D8/330
D411,949 S * 7/1999 Hill D8/331
6,016,677 A * 1/2000 Clark 70/416
D438,447 S * 3/2001 Gartner D8/331
D470,033 S * 2/2003 Fleury et al. D8/302

1 Claim, 10 Drawing Sheets



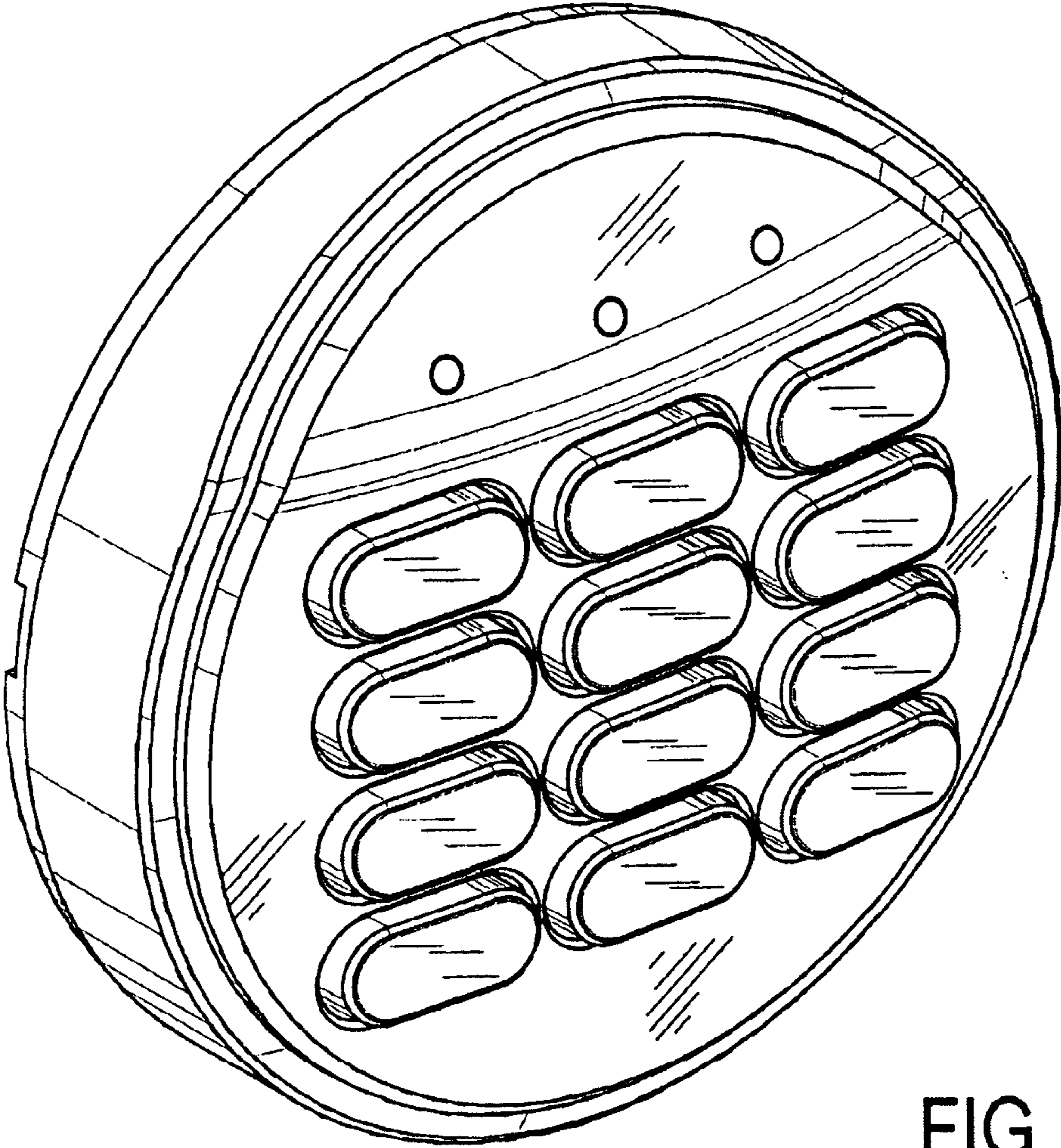


FIG. 1

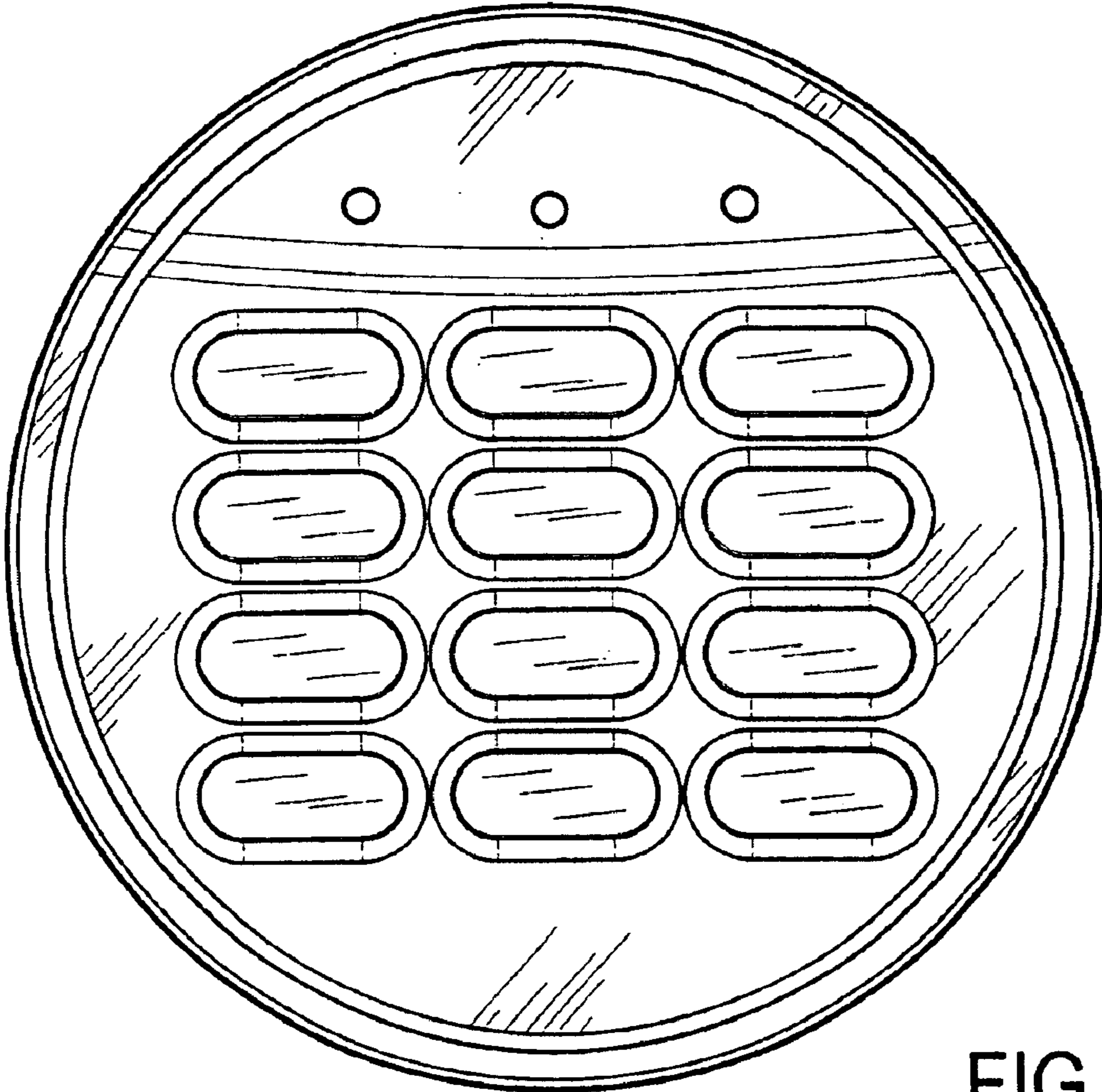


FIG. 2

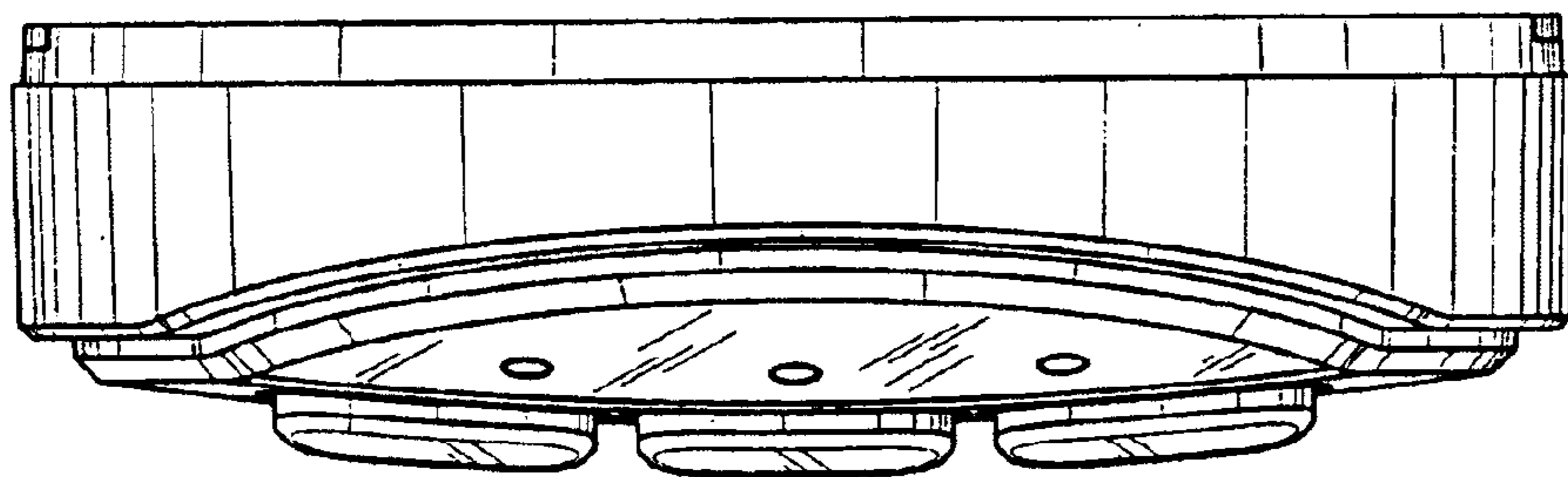


FIG. 3

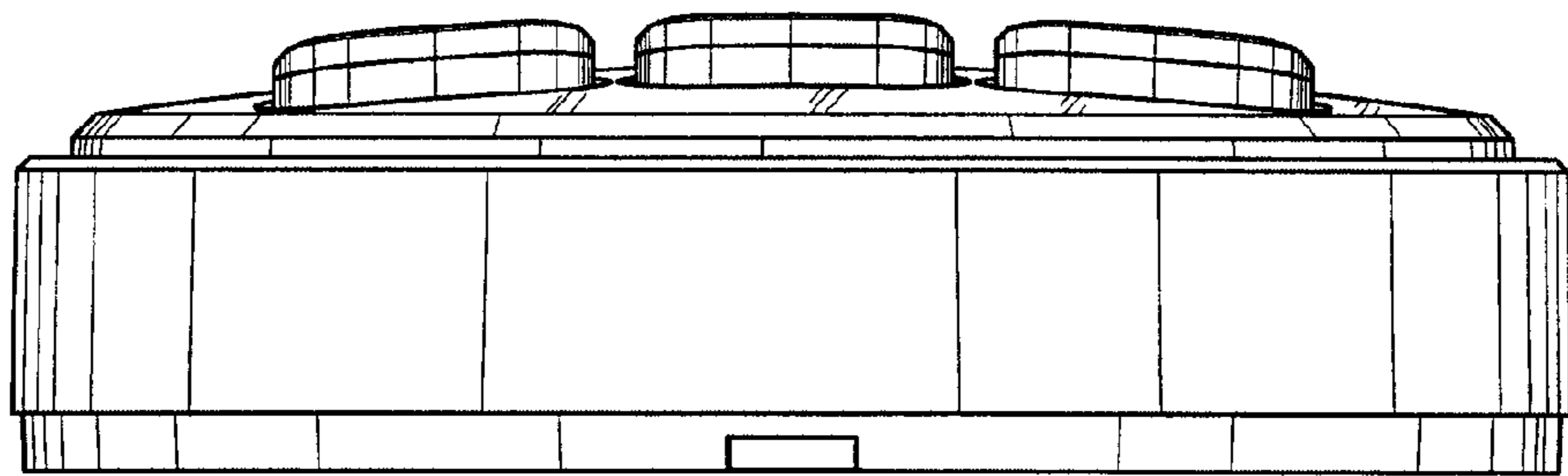


FIG. 4

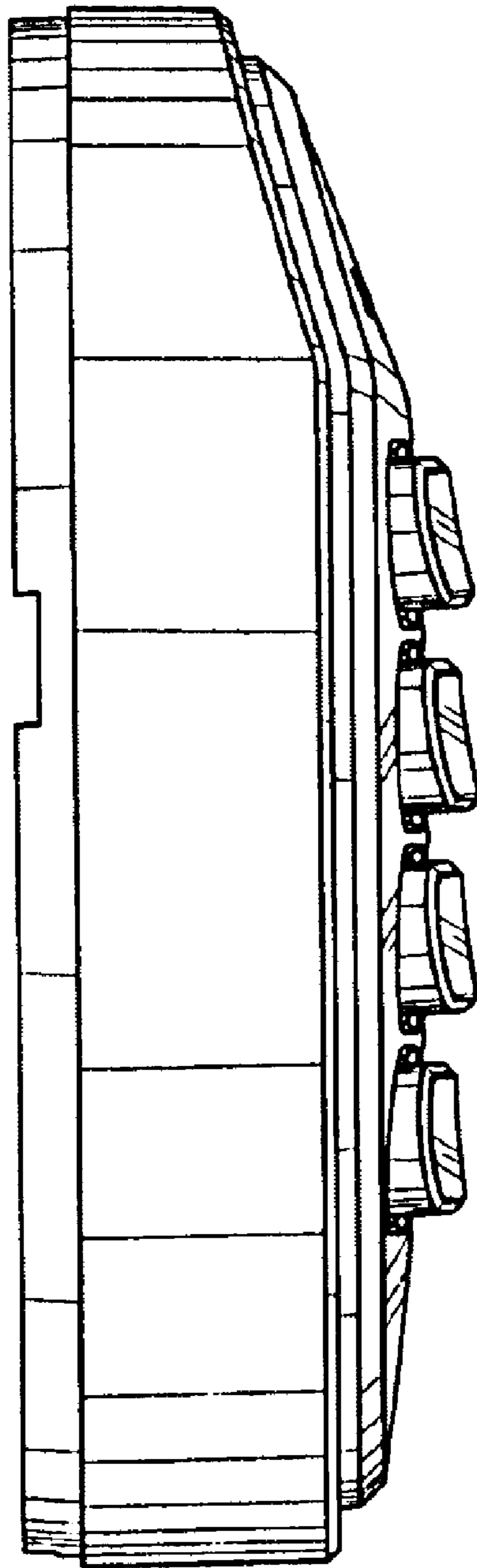


FIG. 5

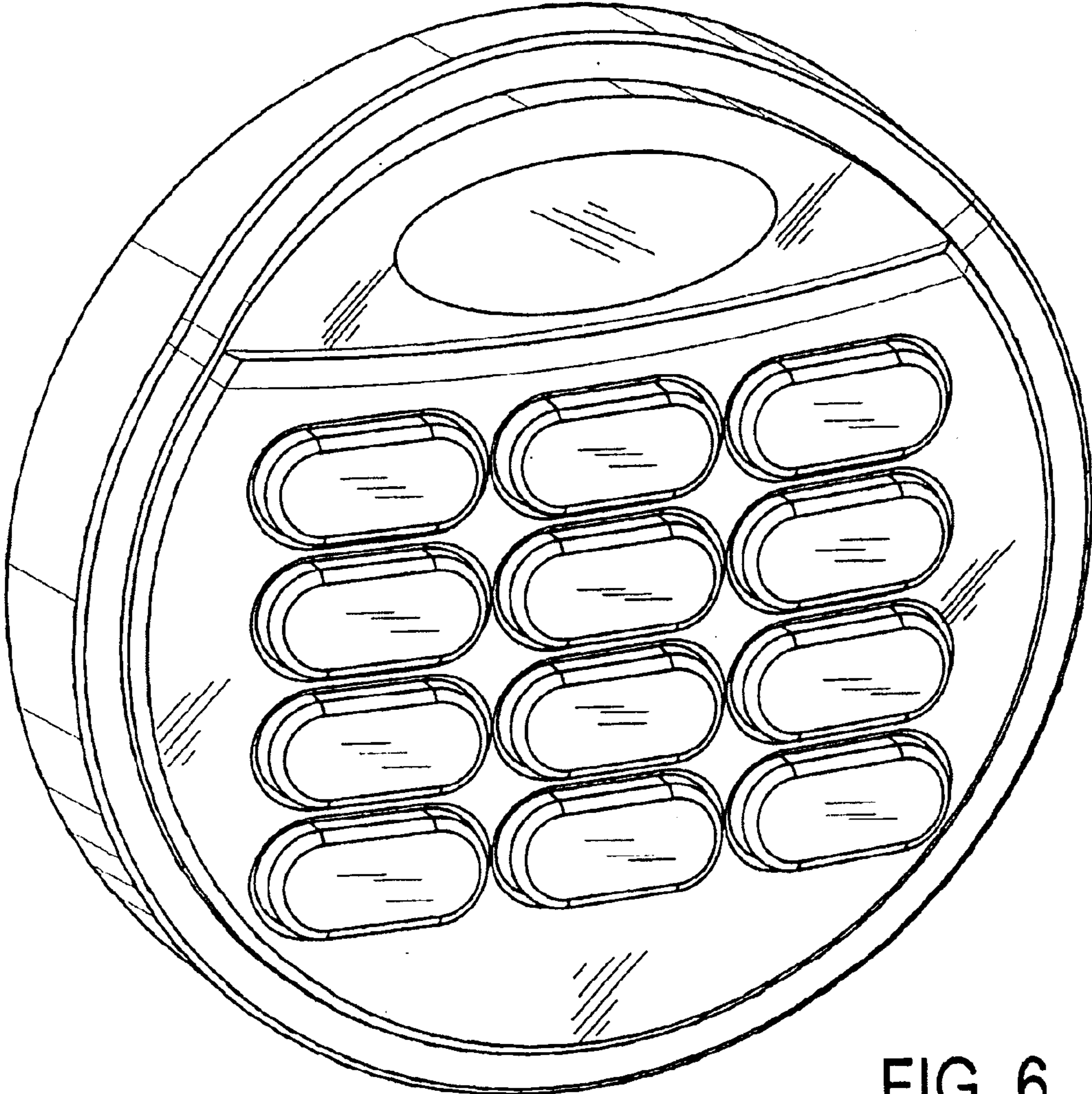


FIG. 6

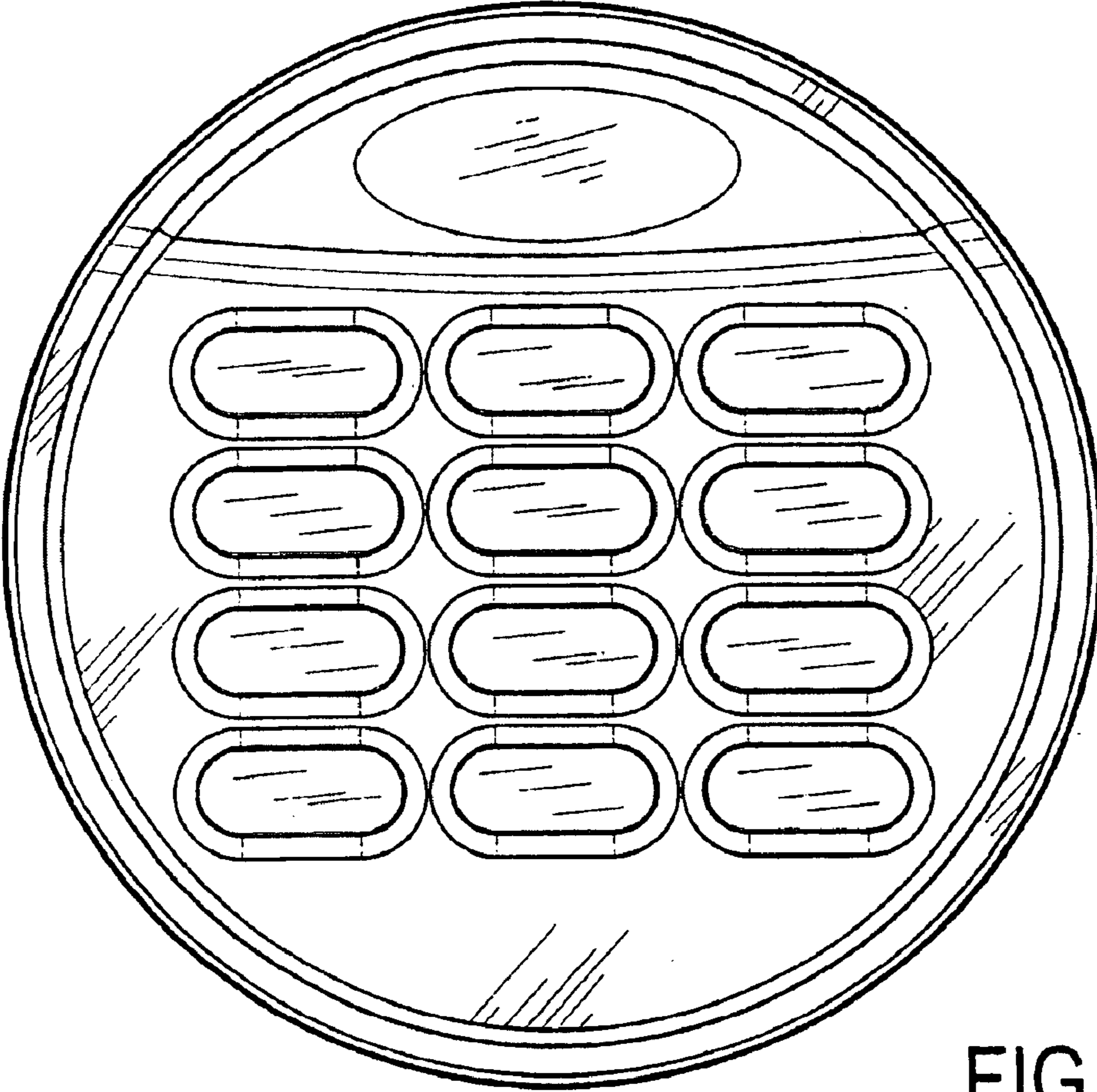


FIG. 7

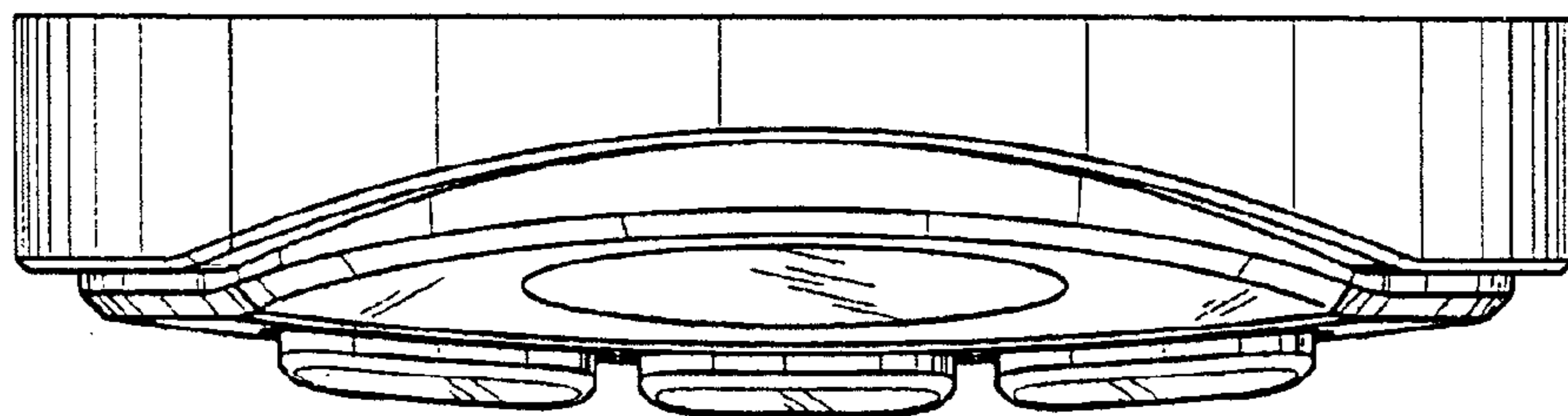


FIG. 8

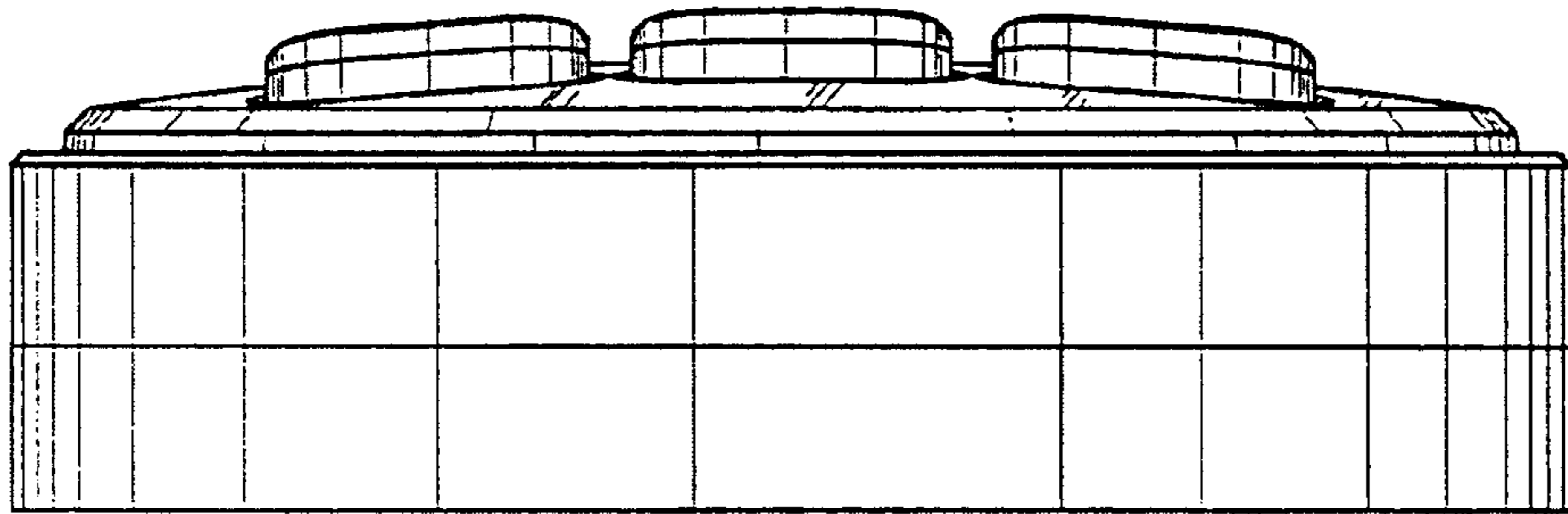


FIG. 9

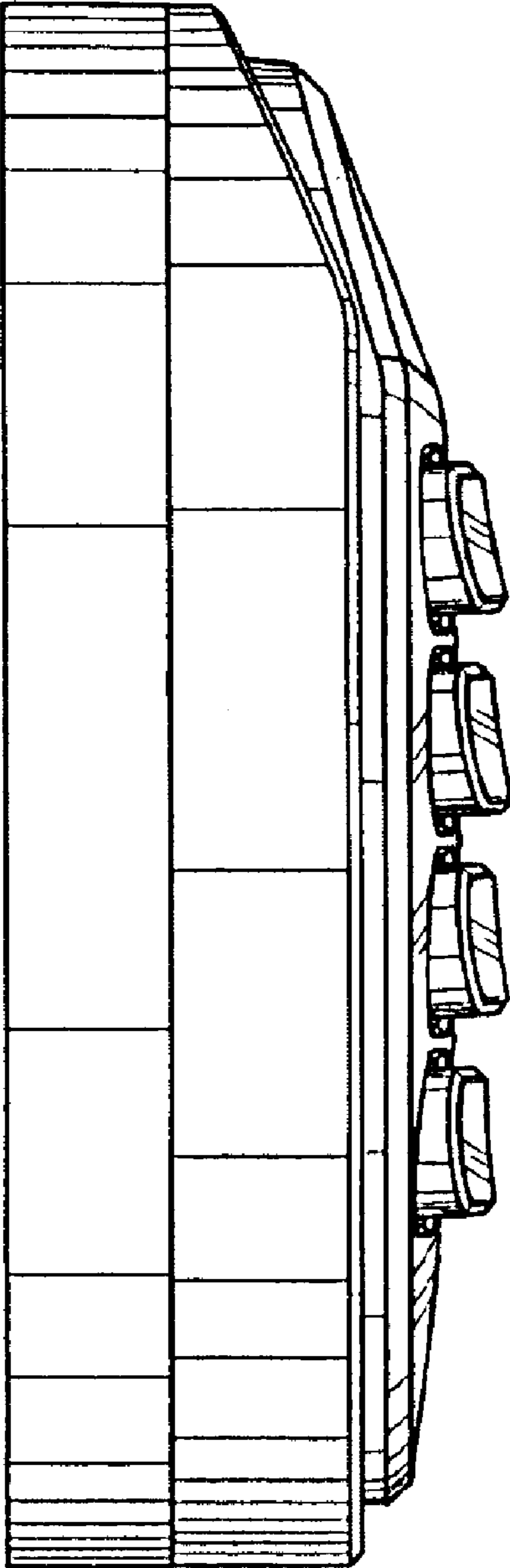


FIG. 10