

US00D513581S

(12) **United States Design Patent**
Willems

(10) **Patent No.:** **US D513,581 S**
(45) **Date of Patent:** **** Jan. 17, 2006**

- (54) **RECESSED FLIP HANDLE**
- (75) Inventor: **Roger P. Willems**, High Wycombe (GB)
- (73) Assignee: **Penn Elcom, Inc.**, Garden Grove, CA (US)
- (**) Term: **14 Years**
- (21) Appl. No.: **29/201,196**
- (22) Filed: **Mar. 11, 2004**
- (51) **LOC (8) Cl.** **08-06**
- (52) **U.S. Cl.** **D8/301**
- (58) **Field of Classification Search** D8/301–303, D8/306–308, 310–314, 330, 331, 338, 341, D8/343, 352, 353; D3/70; 16/440, DIG. 24; 292/57, 58, 256.5, DIG. 2, 23, 336.3, DIG. 30, 292/31; 70/91, 202, 207–211
See application file for complete search history.

- 4,775,072 A * 10/1988 Lundblade et al. 220/766
- D337,657 S * 7/1993 March et al. D3/272
- D439,739 S * 4/2001 Murphy D3/272
- D448,269 S * 9/2001 Willems D8/301
- D454,478 S * 3/2002 Willems D8/331
- D457,801 S * 5/2002 Zamberg D8/331

OTHER PUBLICATIONS

www.pennfabrication.com—internet site dated information 2002, item #H1049Z, obtained Feb. 10, 2005. (1 page).*
Penn Fabrication Professional Collection, Catalogue No. 15, pp. 35–36, published in the U.S., in Jan. 2002.

* cited by examiner

Primary Examiner—Prabhakar Deshmukh
Assistant Examiner—Jean E. McCormick
(74) *Attorney, Agent, or Firm*—Freilich, Hornbaker & Rosen; Robert D. Hornbaker

(57) **CLAIM**

The ornamental design for a recessed flip handle, as shown and described.

DESCRIPTION

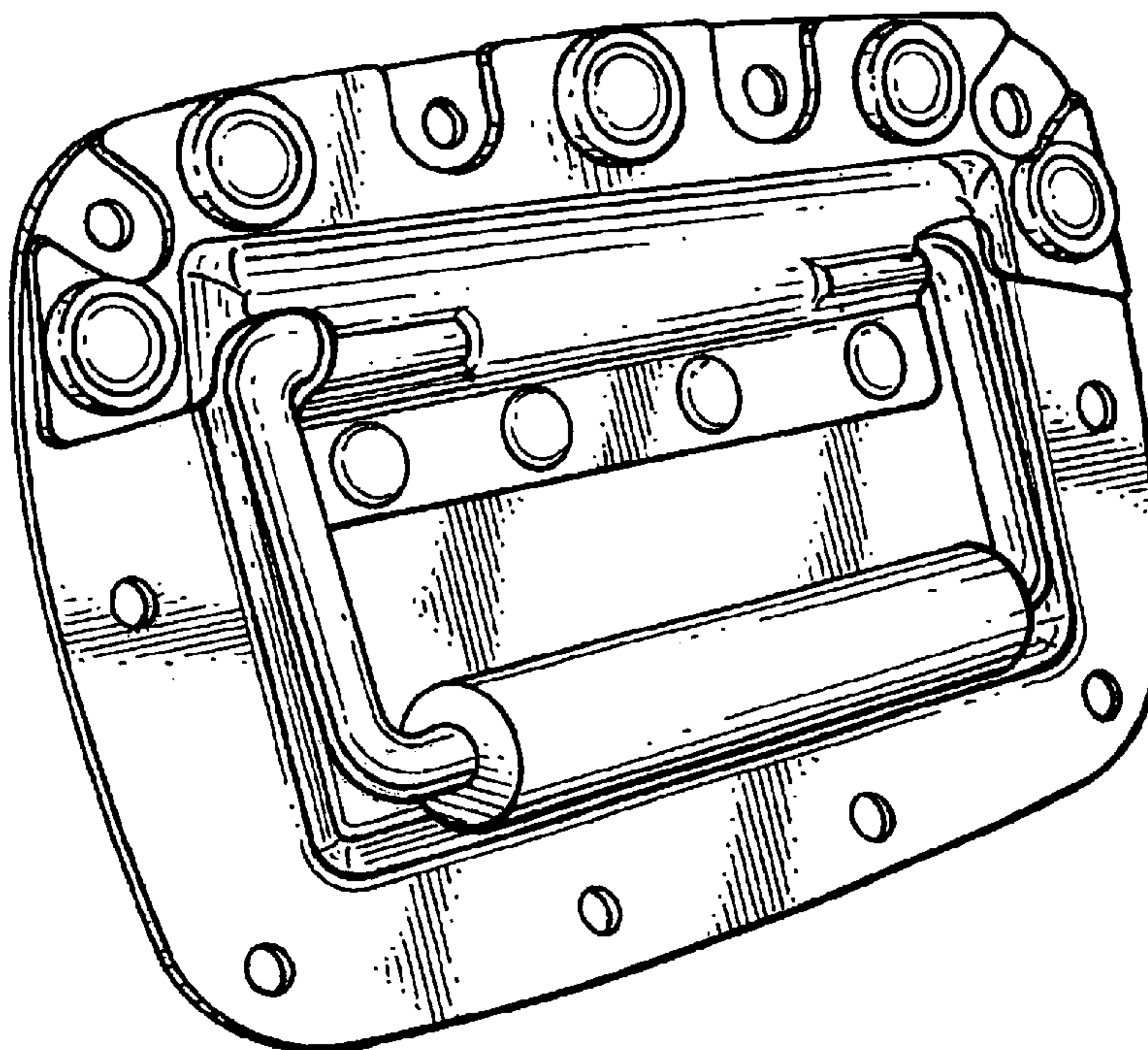
FIG. 1 is a perspective view;
FIG. 2 is a front view;
FIG. 3 is a right side view, the left side view being identical;
FIG. 4 is a rear view;
FIG. 5 is a top view; and,
FIG. 6 is a bottom view.

(56) **References Cited**

U.S. PATENT DOCUMENTS

- 339,587 A * 4/1886 Rush 16/419
- 654,414 A * 7/1900 Hardigg 401/287
- 1,040,596 A * 10/1912 Watrous 16/444
- D161,149 S * 12/1950 Zifferer D8/341
- 2,715,243 A * 8/1955 Koll 16/445
- 2,767,424 A * 10/1956 Knuepfer 16/445
- D236,322 S * 8/1975 Stolarz D8/331
- 3,933,269 A * 1/1976 Mastrovito 220/766
- D281,665 S * 12/1985 Weinerman et al. D8/302

1 Claim, 2 Drawing Sheets



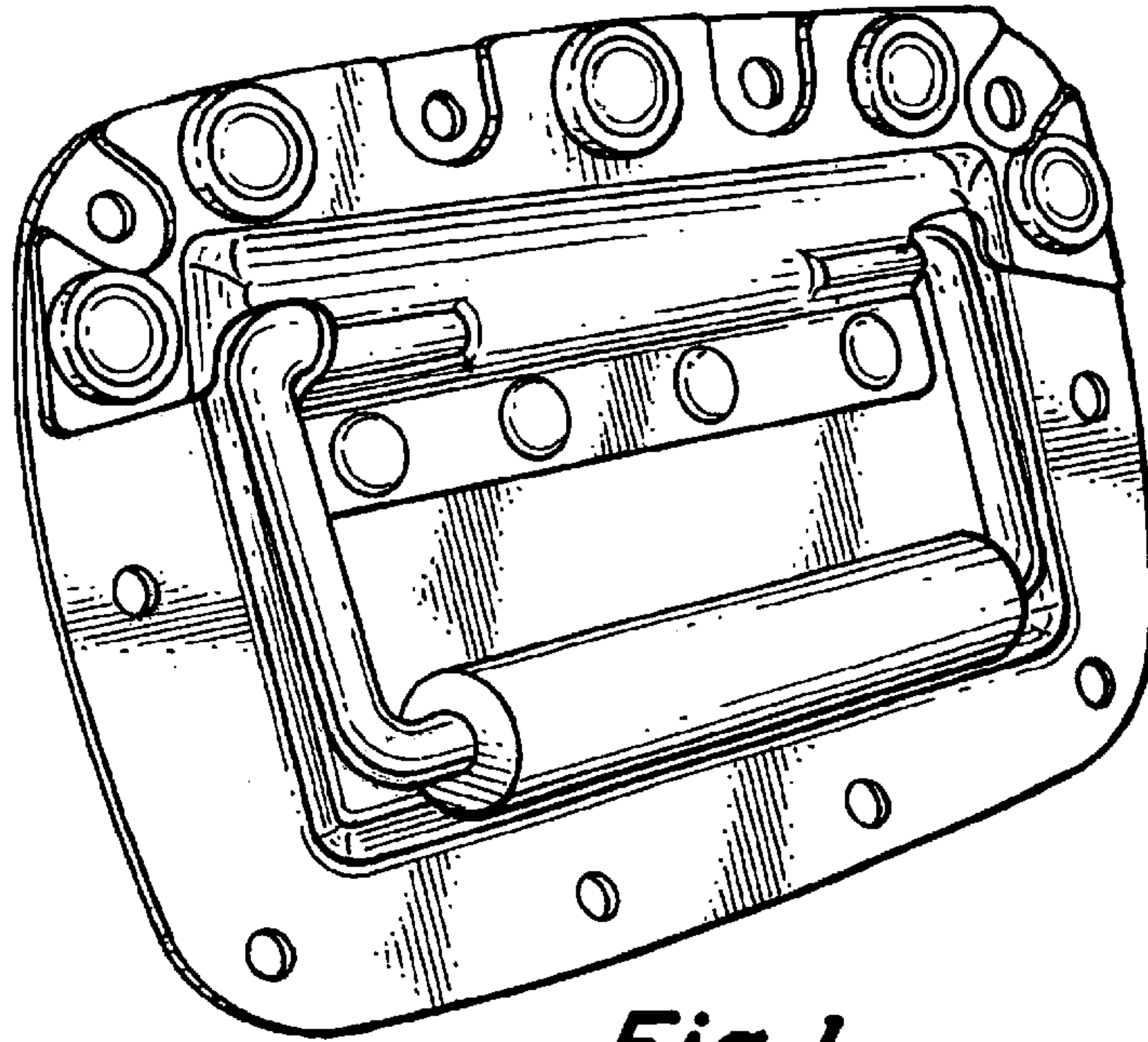


Fig. 1.

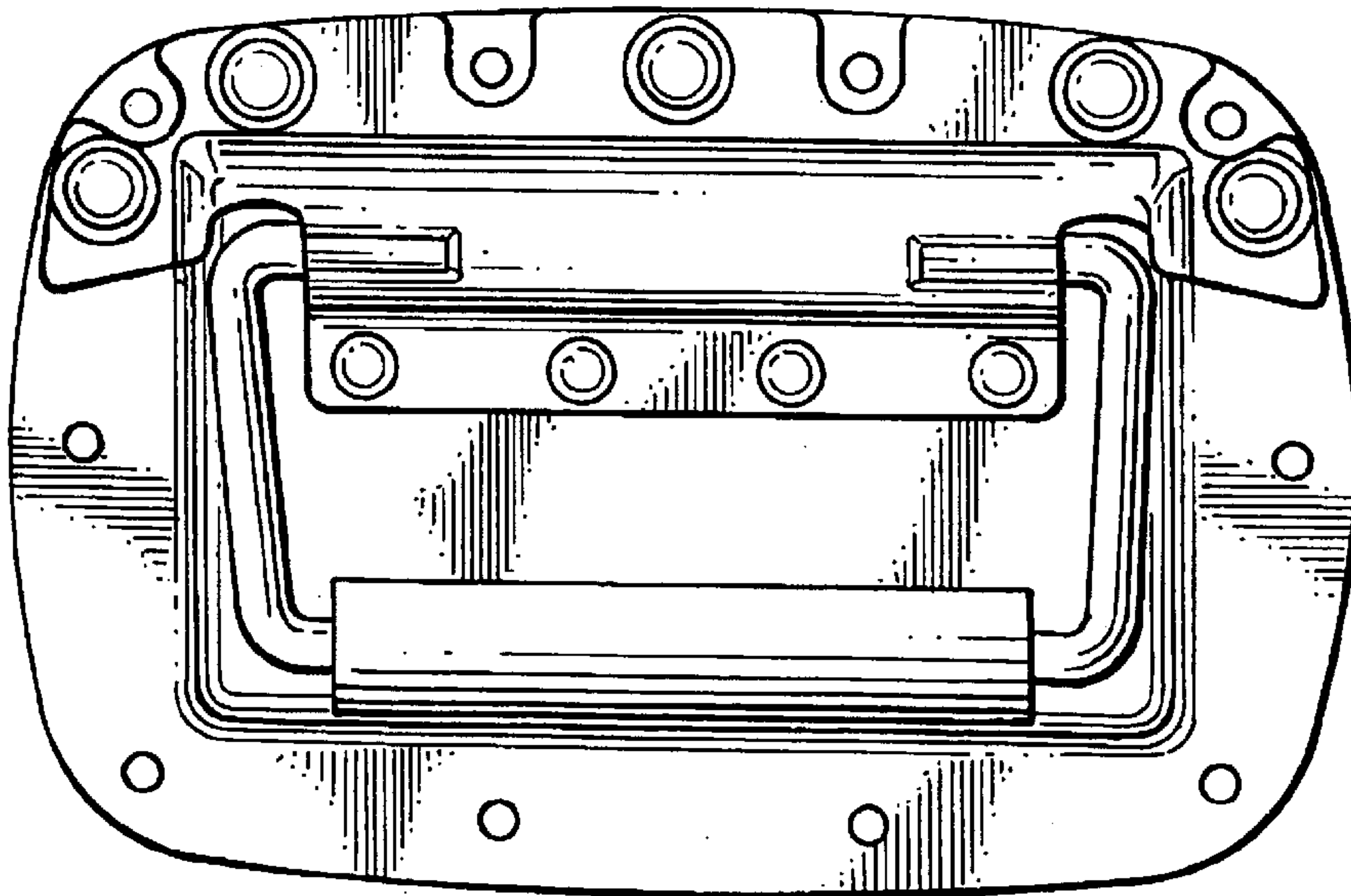


Fig. 2.



Fig. 3.

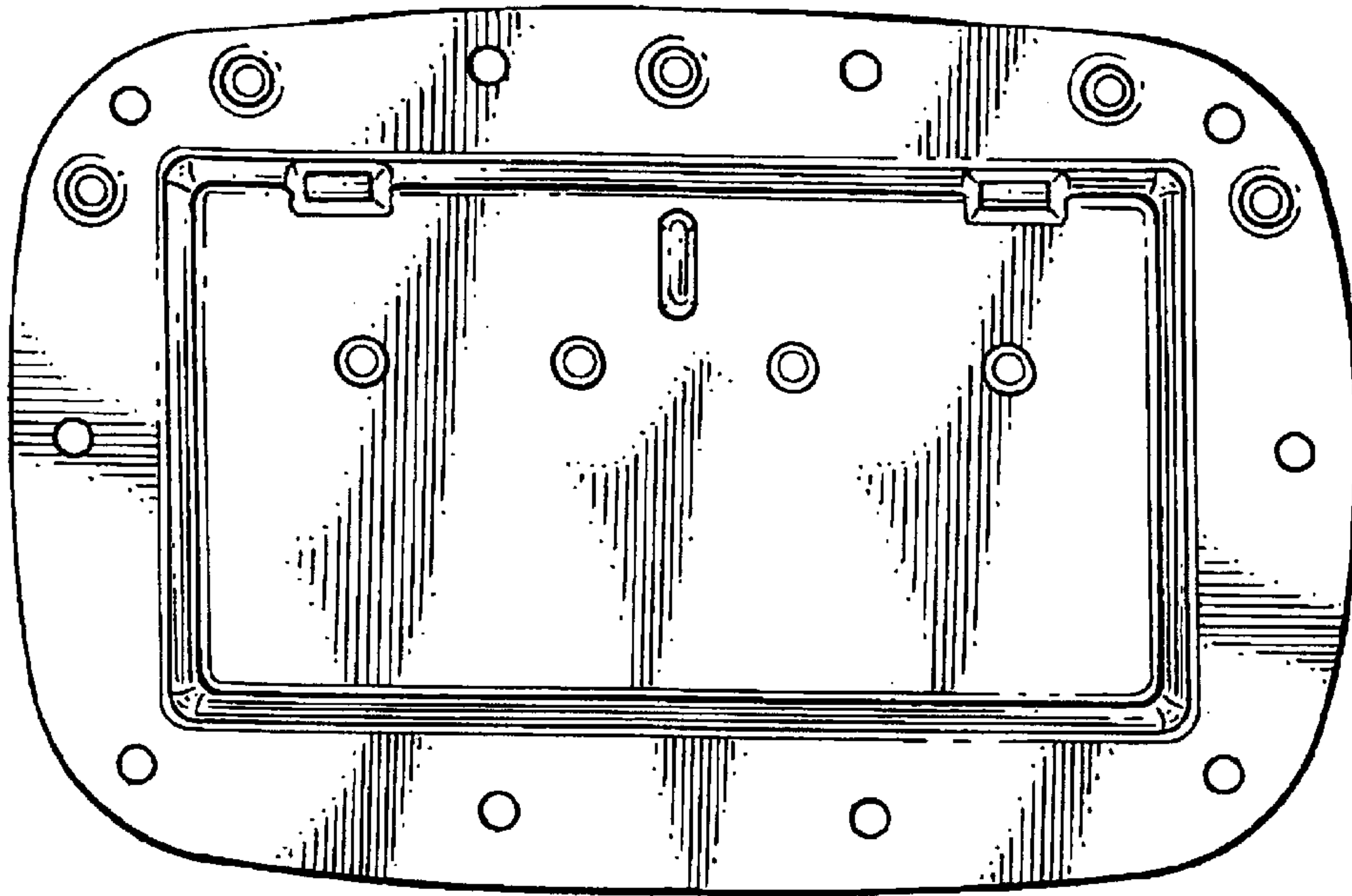


Fig. 4.

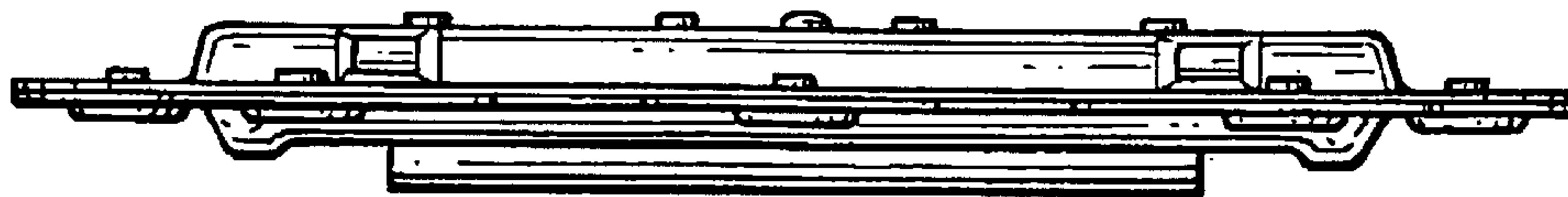


Fig. 5.

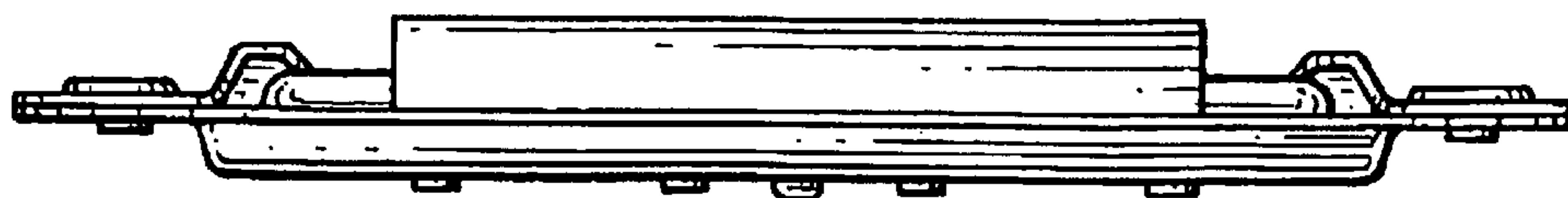


Fig. 6.