



US00D513579S

(12) **United States Design Patent**
Barber et al.

(10) **Patent No.:** **US D513,579 S**
(45) **Date of Patent:** **** Jan. 17, 2006**

(54) **COMBINATION CARABINER AND WRENCH DEVICE**

(75) Inventors: **Launce Reed Barber**, Chesterfield, VA (US); **Thomas Richard Stokes**, Yorktown, VA (US)

(73) Assignee: **Elemental Tools, L.L.C.**, Virginia Beach, VA (US)

(**) Term: **14 Years**

(21) Appl. No.: **29/197,029**

(22) Filed: **Jan. 5, 2004**

(51) **LOC (8) Cl.** **08-05**

(52) **U.S. Cl.** **D8/105**; D8/99

(58) **Field of Classification Search** D8/99, D8/98, 357, 356, 105; 30/155; 24/599.1, 24/592.1, 588.1, 587.1; 7/165, 158, 138, 7/118; 362/109

See application file for complete search history.

(56) **References Cited**

U.S. PATENT DOCUMENTS

D244,987 S * 7/1977 Lavitch D8/98
6,223,372 B1 * 5/2001 Barber 7/118
D455,629 S * 4/2002 Ping D8/105

D474,095 S * 5/2003 Luquire D8/99
6,594,906 B1 * 7/2003 Sakai et al. 30/155
D484,770 S * 1/2004 Green D8/99
2005/0081303 A1 * 4/2005 Goldberg 7/165
2005/0144730 A1 * 7/2005 Barber et al. 7/138

* cited by examiner

Primary Examiner—Cathron C. Brooks

Assistant Examiner—Austin Murphy

(74) *Attorney, Agent, or Firm*—Seed IP Law Group PLLC

(57) **CLAIM**

We claim the ornamental design for a combination carabiner and wrench device, as shown and described.

DESCRIPTION

FIG. 1 is a perspective view of a combination carabiner and wrench device which includes a folding knife blade shown with the blade contained within the handle.

FIG. 2 is a side view the thereof;

FIG. 3 is an opposing side view with the knife blade shown in an open position;

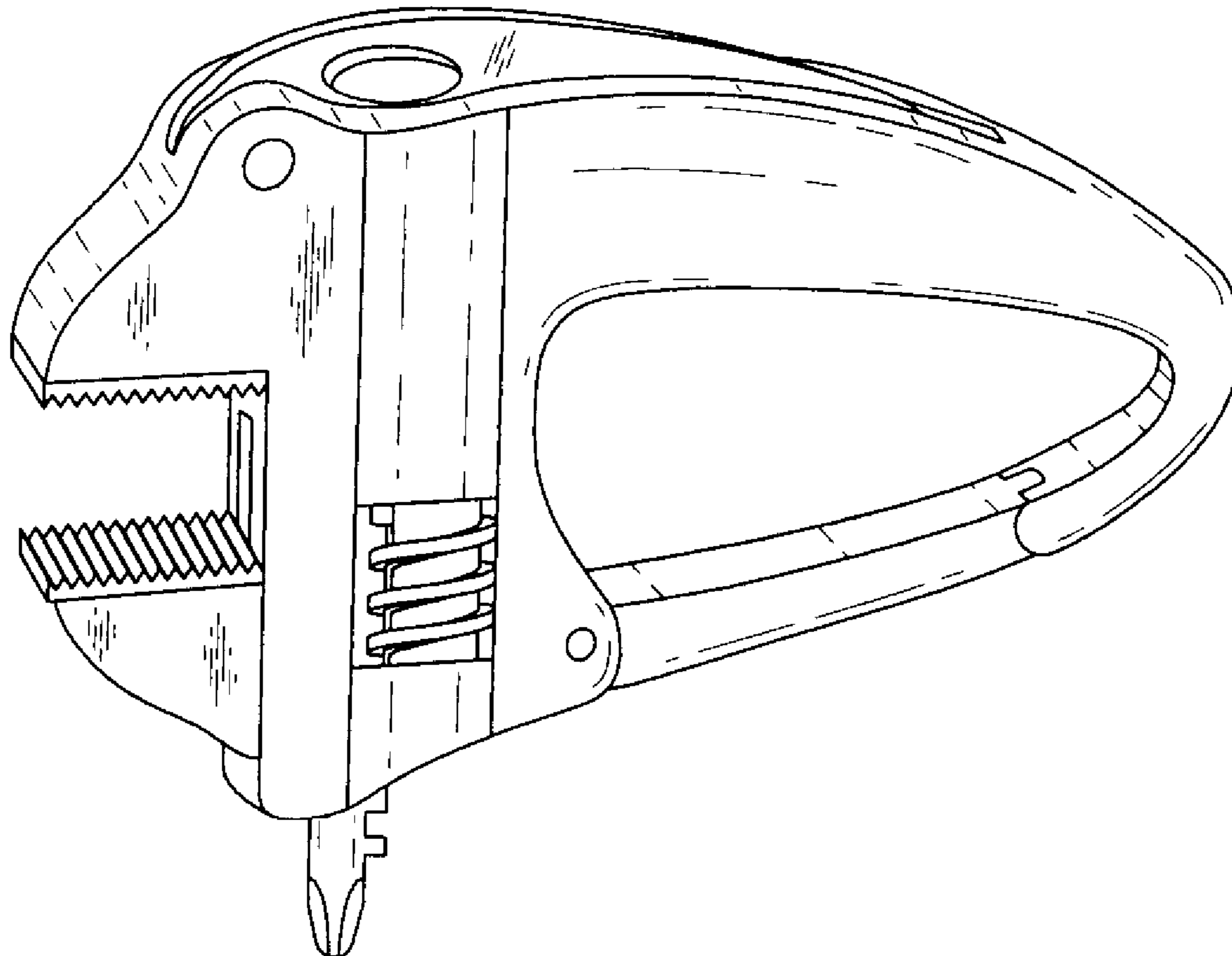
FIG. 4 is a top thereof;

FIG. 5 is a bottom view thereof;

FIG. 6 is a front view thereof; and,

FIG. 7 is a rear view thereof.

1 Claim, 3 Drawing Sheets



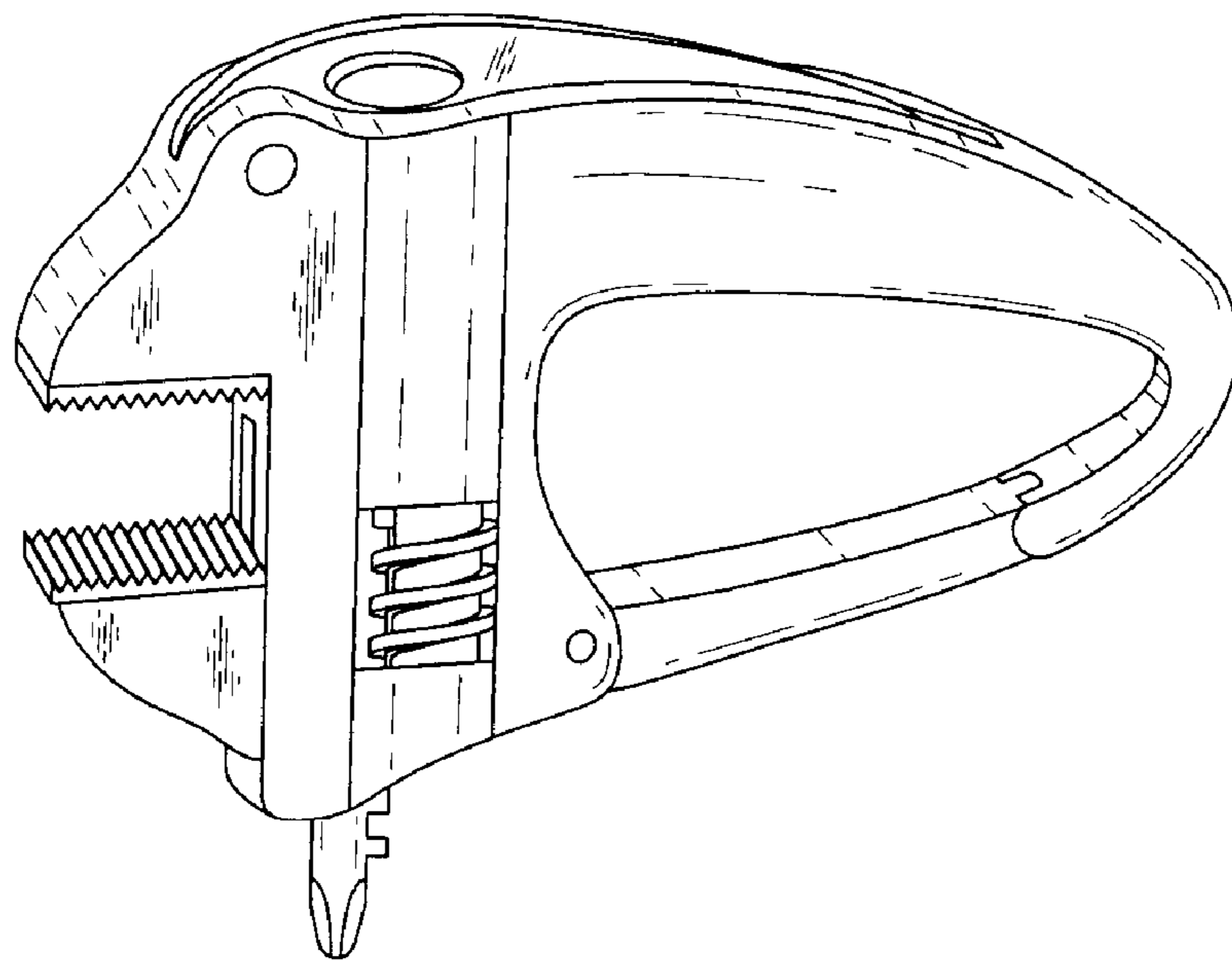


FIG. 1

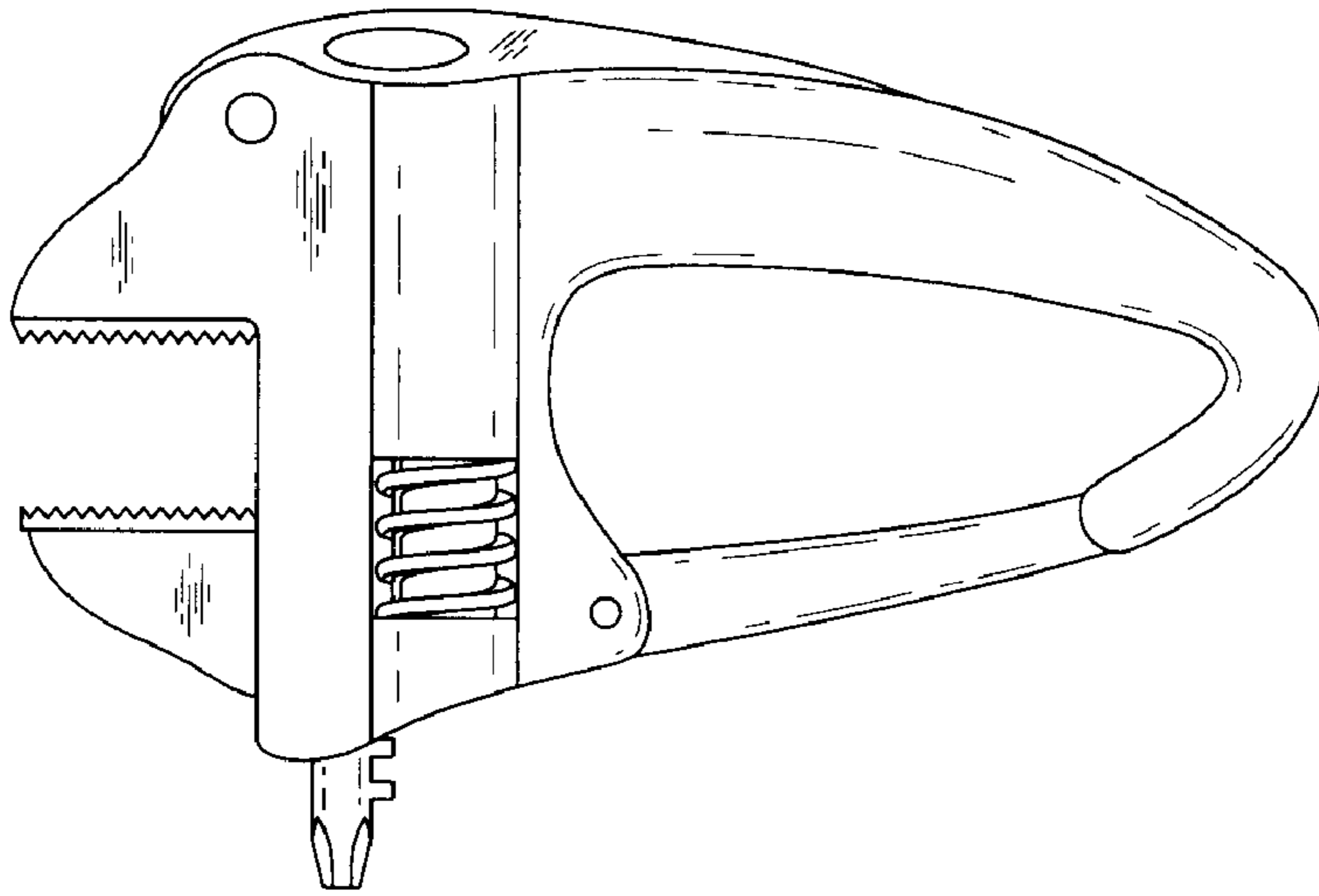


FIG. 2

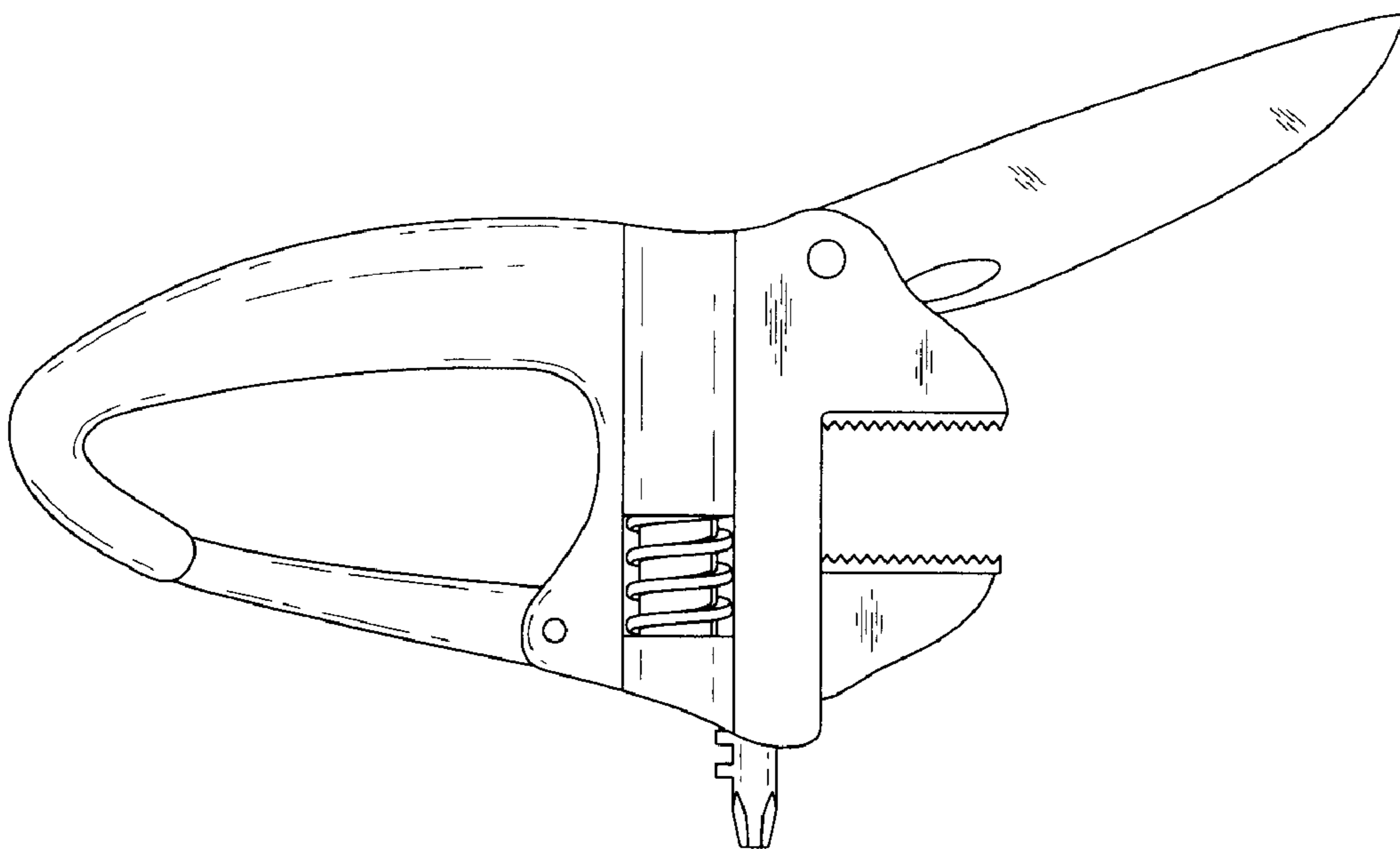


FIG. 3

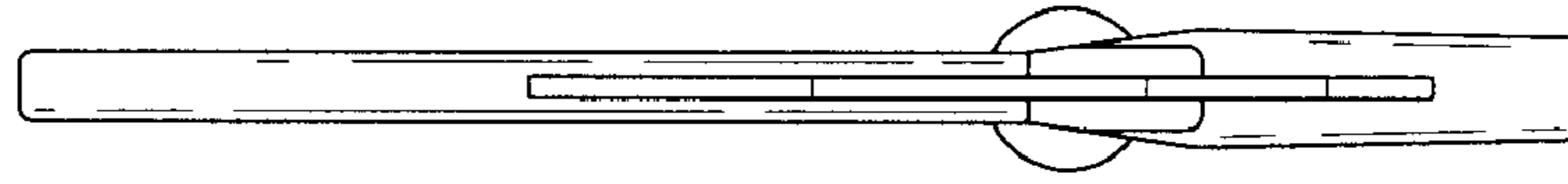


FIG. 4

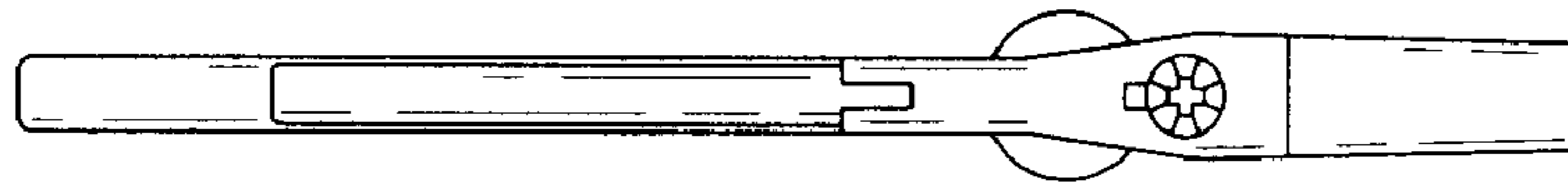


FIG. 5

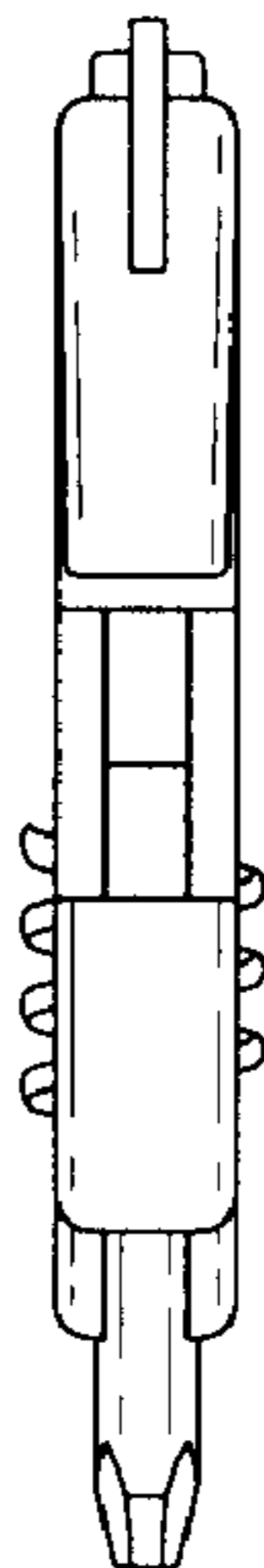


FIG. 6

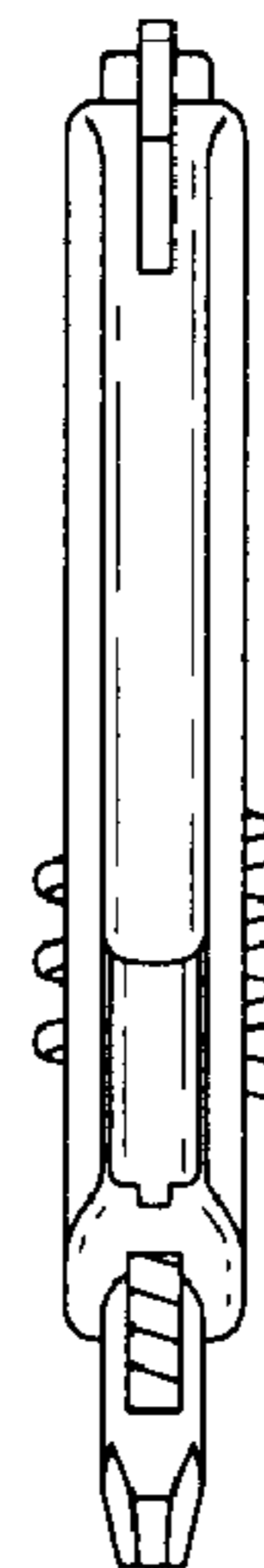


FIG. 7