



US00D513575S

(12) **United States Design Patent**
Carson et al.

(10) **Patent No.:** **US D513,575 S**
(45) **Date of Patent:** **** Jan. 17, 2006**

(54) **PICTURE HANGING TOOL**

(76) Inventors: **David Carson**, 7977 Jack James Dr.,
Stuart, FL (US) 34997; **David**
Christenson, 759 S. Federal Hwy.,
#217, Stuart, FL (US) 34994

(**) Term: **14 Years**

(21) Appl. No.: **29/207,901**

(22) Filed: **Jun. 22, 2004**

(51) **LOC (8) Cl.** **08-05**

(52) **U.S. Cl.** **D8/16**

(58) **Field of Classification Search** D6/323;
D8/14, 16, 19, 26, 31, 44, 88, 89, 105, 367,
D8/371, 373, 499; 294/26; 7/105, 164; 29/270,
29/281.1; 33/403, 574, 577; 81/488; 248/547
See application file for complete search history.

(56) **References Cited**

U.S. PATENT DOCUMENTS

D46,183 S	*	7/1914	Prochaska	D8/16
3,516,165 A	*	6/1970	Pfeffer	33/574
4,413,421 A	*	11/1983	Siniuk	33/574
4,455,756 A	*	6/1984	Greene	248/547
4,559,690 A	*	12/1985	Asmus	29/270

D289,360 S	*	4/1987	Westcott	D8/16
4,893,776 A	*	1/1990	Floyd	33/577
D317,575 S	*	6/1991	Ramsey	D8/373
D384,252 S	*	9/1997	Aydelott	D8/14
6,049,991 A	*	4/2000	Gruenberg et al.	33/403
6,739,065 B2	*	5/2004	Hofmeister et al.	33/577

* cited by examiner

Primary Examiner—Caron D. Veynar

Assistant Examiner—Garth Rademaker

(74) *Attorney, Agent, or Firm*—Kevin Redmond

(57) **CLAIM**

We claim the ornamental design for a picture hanging tool,
as shown and described.

DESCRIPTION

FIG. 1 is a perspective view of our design for a picture hanging tool.

FIG. 2 is a right side view of the invention shown in FIG. 1.

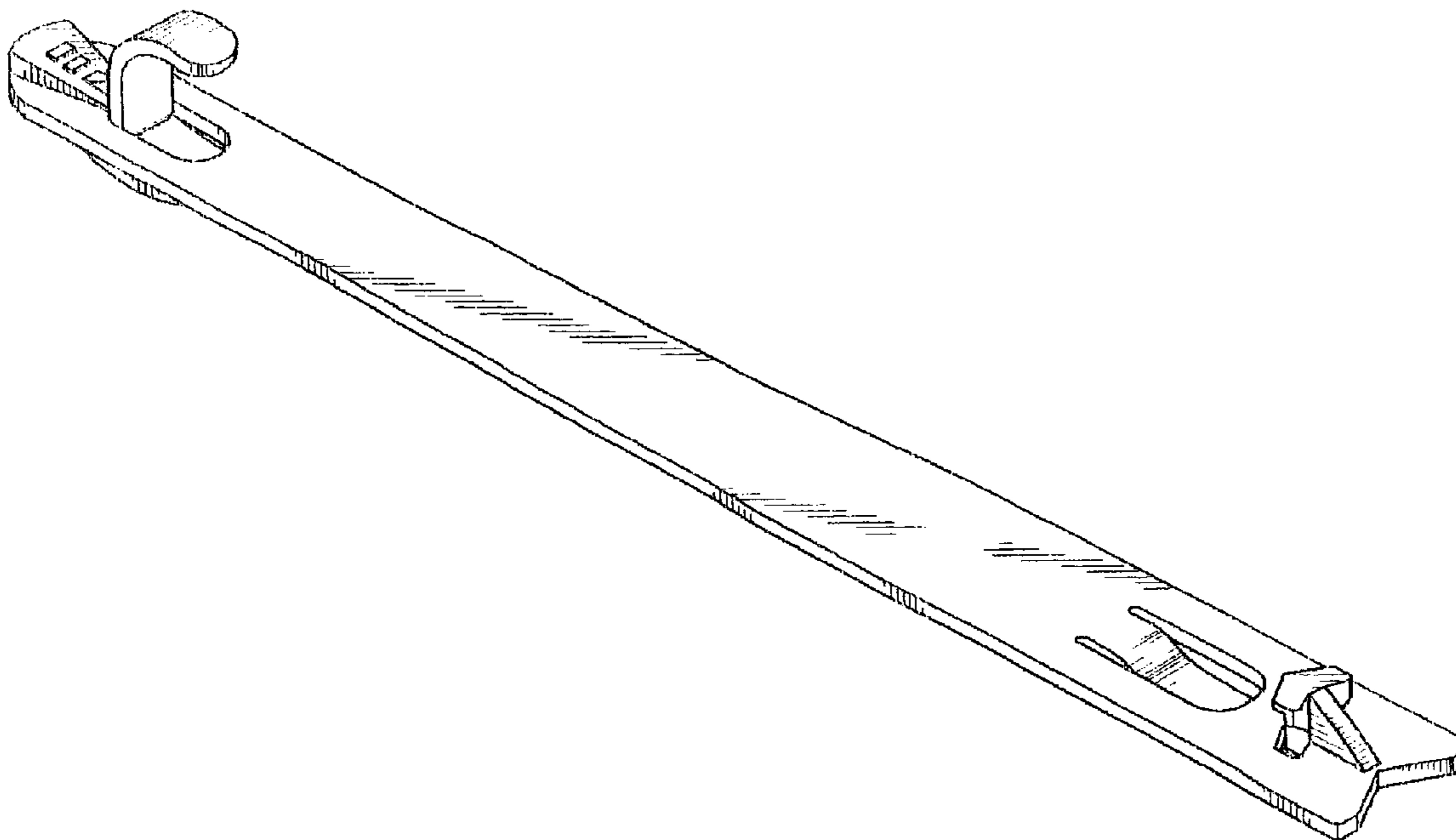
FIG. 3 is a back end view of the invention shown in FIG. 1.

FIG. 4 is a front end view of the invention shown in FIG. 1.

FIG. 5 is a top plan view of the invention shown in FIG. 1;
and,

FIG. 6 is a bottom plan view of the invention shown in FIG.
1.

1 Claim, 3 Drawing Sheets



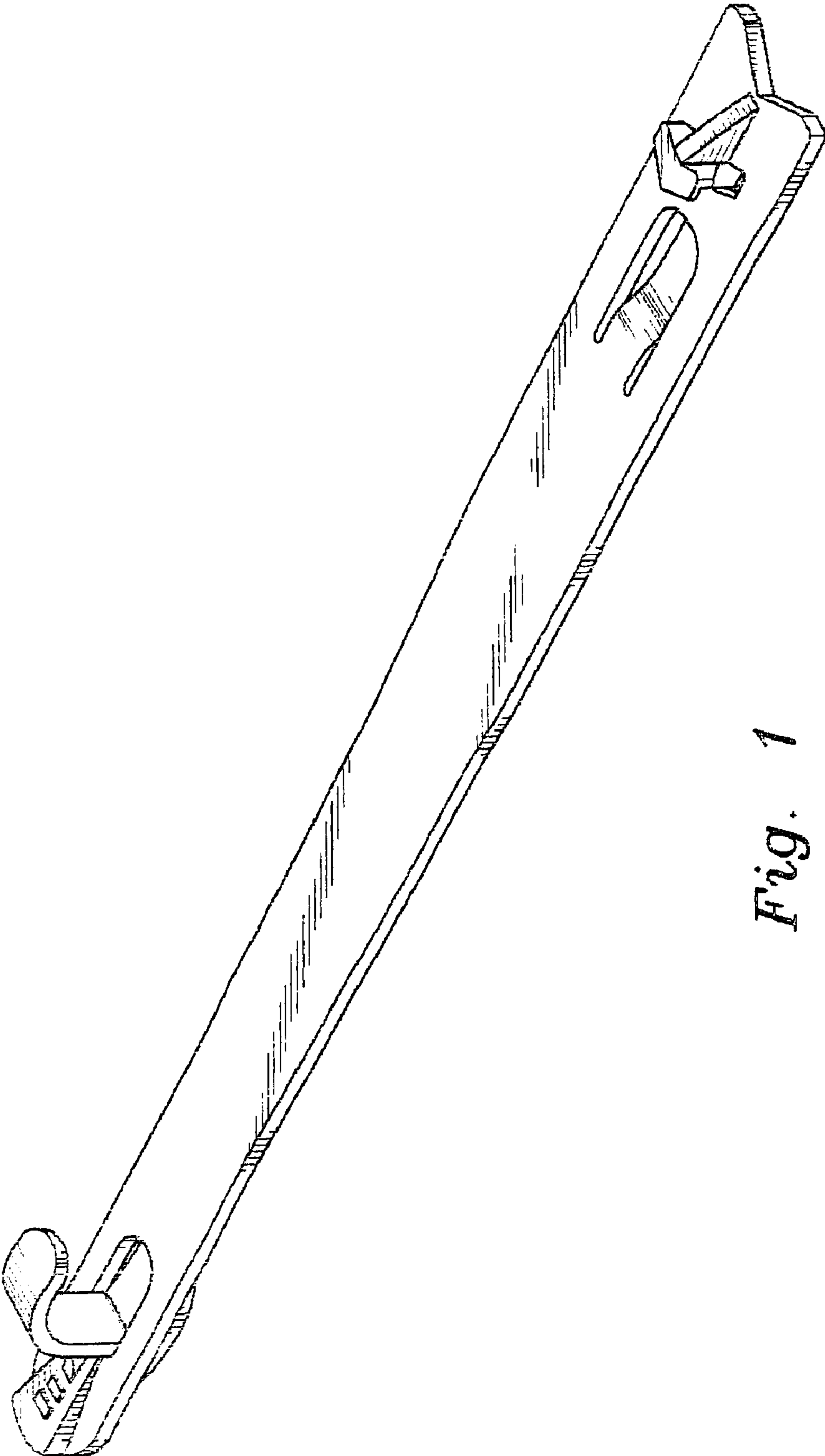


Fig. 1

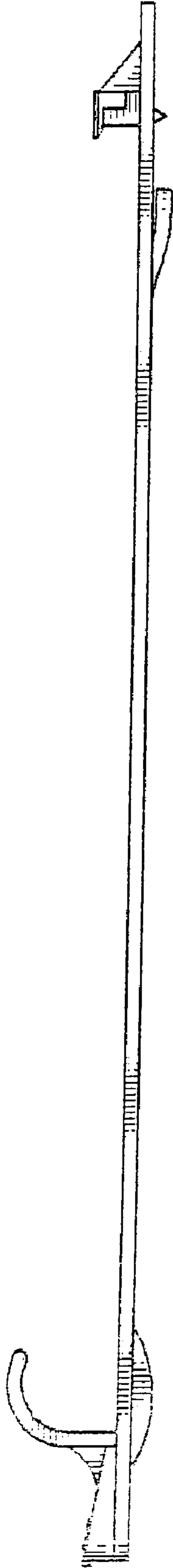


Fig. 2

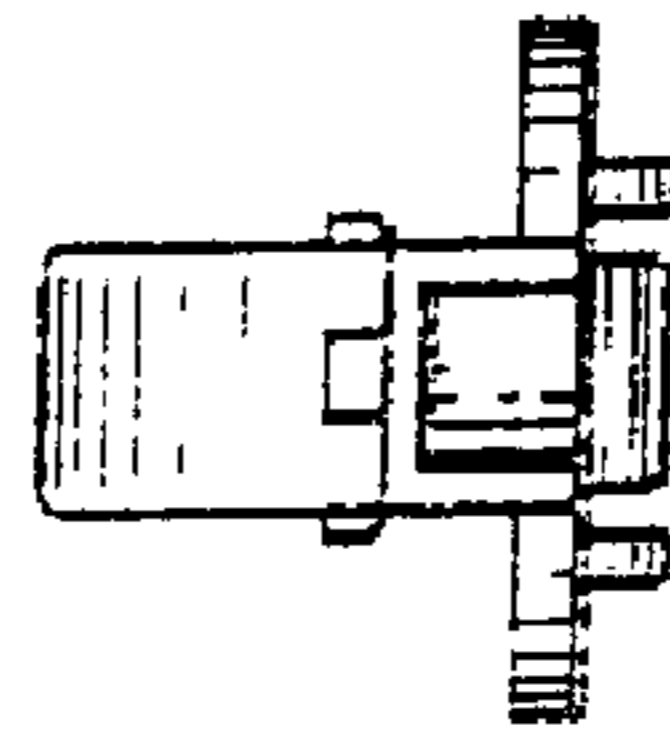


Fig. 3

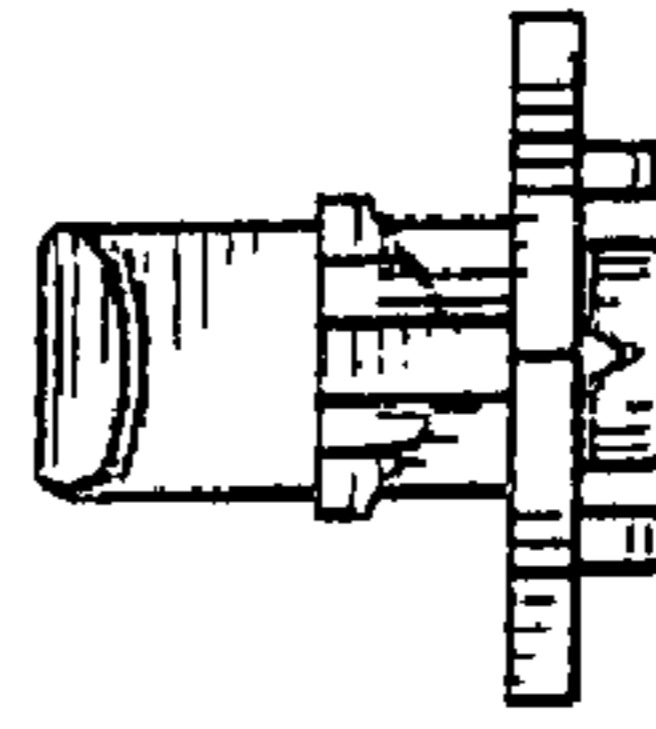


Fig. 4

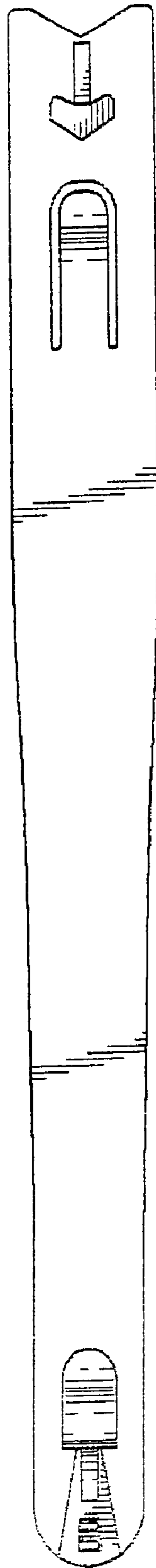


Fig. 5

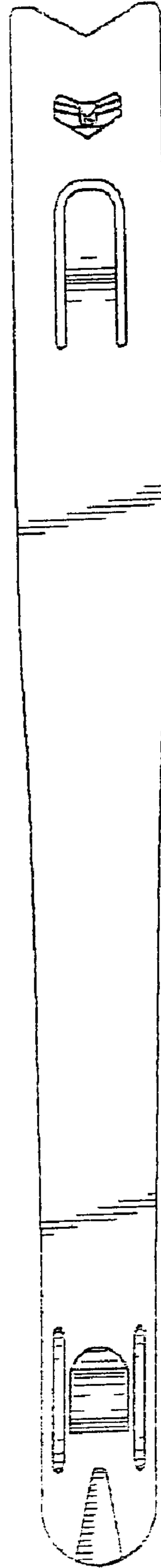


Fig. 6