



US00D513572S

(12) **United States Design Patent**  
**Schaffeld et al.**

(10) **Patent No.: US D513,572 S**  
(45) **Date of Patent: \*\* Jan. 17, 2006**

(54) **COFFEE BREWER**

(75) Inventors: **John Schaffeld**, Lexington, MA (US);  
**Steffen Koury**, Chelsea, MA (US);  
**Paul Metaxatos**, Charlestown, MA  
(US)

(73) Assignee: **Keurig, Incorporated**, Wakefield, MA  
(US)

(\*\*) Term: **14 Years**

(21) Appl. No.: **29/206,808**

(22) Filed: **Jun. 3, 2004**

(51) **LOC (8) Cl. .... 07-01**

(52) **U.S. Cl. .... D7/309; D7/311**

(58) **Field of Classification Search** ..... D7/300,  
D7/309, 310, 311, 305, 306, 397, 379, 308,  
D7/307; 222/169, 367, 129.1, 129.4; 99/307,  
99/304, 305, 306, 289 R, 295, 282, 281,  
99/288, 279; D24/177; 426/433

See application file for complete search history.

(56) **References Cited**

**U.S. PATENT DOCUMENTS**

D449,197 S	*	10/2001	Byler	.....	D7/309
D449,955 S	*	11/2001	Leverrier	.....	D7/309
D450,520 S	*	11/2001	Saltet	.....	D7/309
D452,407 S	*	12/2001	Leverrier	.....	D7/309
D453,656 S	*	2/2002	Byler et al.	.....	D7/309
D454,466 S	*	3/2002	Hong	.....	D7/309
D457,376 S	*	5/2002	Lin	.....	D7/309

D462,865 S	*	9/2002	Honan et al.	.....	D7/309
D473,745 S	*	4/2003	Mulle et al.	.....	D7/309
D478,461 S	*	8/2003	Hoard	.....	D7/309
D479,087 S	*	9/2003	Yao	.....	D7/309
D479,088 S	*	9/2003	Yao	.....	D7/309
D479,089 S	*	9/2003	Yao	.....	D7/311
D481,902 S	*	11/2003	OaConnor et al.	.....	D7/309
D483,214 S	*	12/2003	Holderfield et al.	.....	D7/309
D488,663 S	*	4/2004	Price et al.	.....	D7/309
D489,215 S	*	5/2004	Honan et al.	.....	D7/309
D495,190 S	*	8/2004	Picozza et al.	.....	D7/309
D502,044 S	*	2/2005	Lin	.....	D7/309
D502,628 S	*	3/2005	Ledingham	.....	D7/309
D502,841 S	*	3/2005	Santer	.....	D7/379

\* cited by examiner

*Primary Examiner*—M. N. Pandozzi

(74) *Attorney, Agent, or Firm*—Wolf, Greenfield & Sacks,  
P.C.

(57) **CLAIM**

The ornamental design for a coffee brewer, as shown and described.

**DESCRIPTION**

FIG. 1 is a front perspective view of a coffee brewer, showing our new design;

FIG. 2 is a front elevational view thereof;

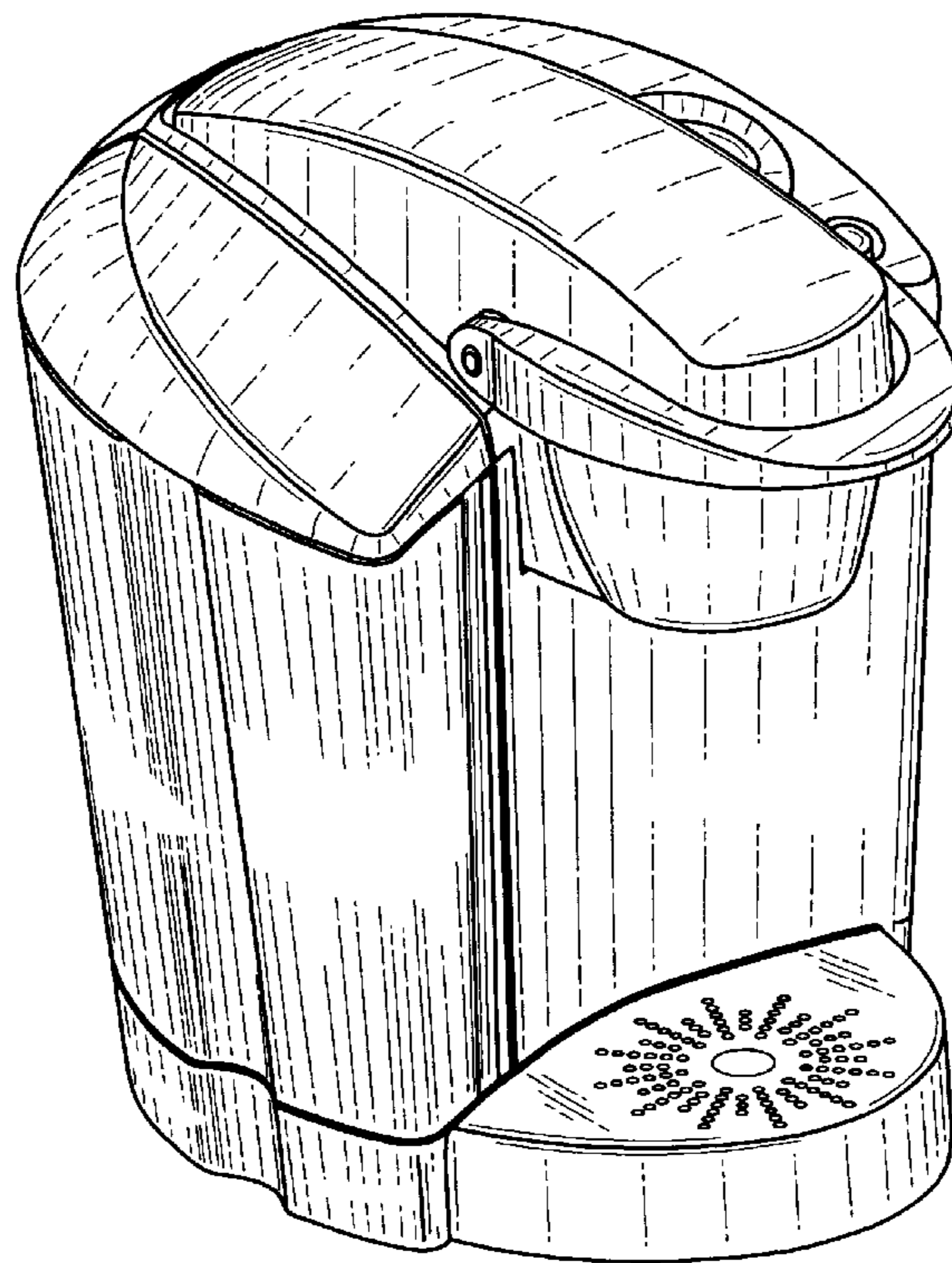
FIG. 3 is left side elevational view thereof;

FIG. 4 is a rear elevational view thereof;

FIG. 5 is a right side elevational view thereof; and,

FIG. 6 is a top plan view thereof.

**1 Claim, 3 Drawing Sheets**



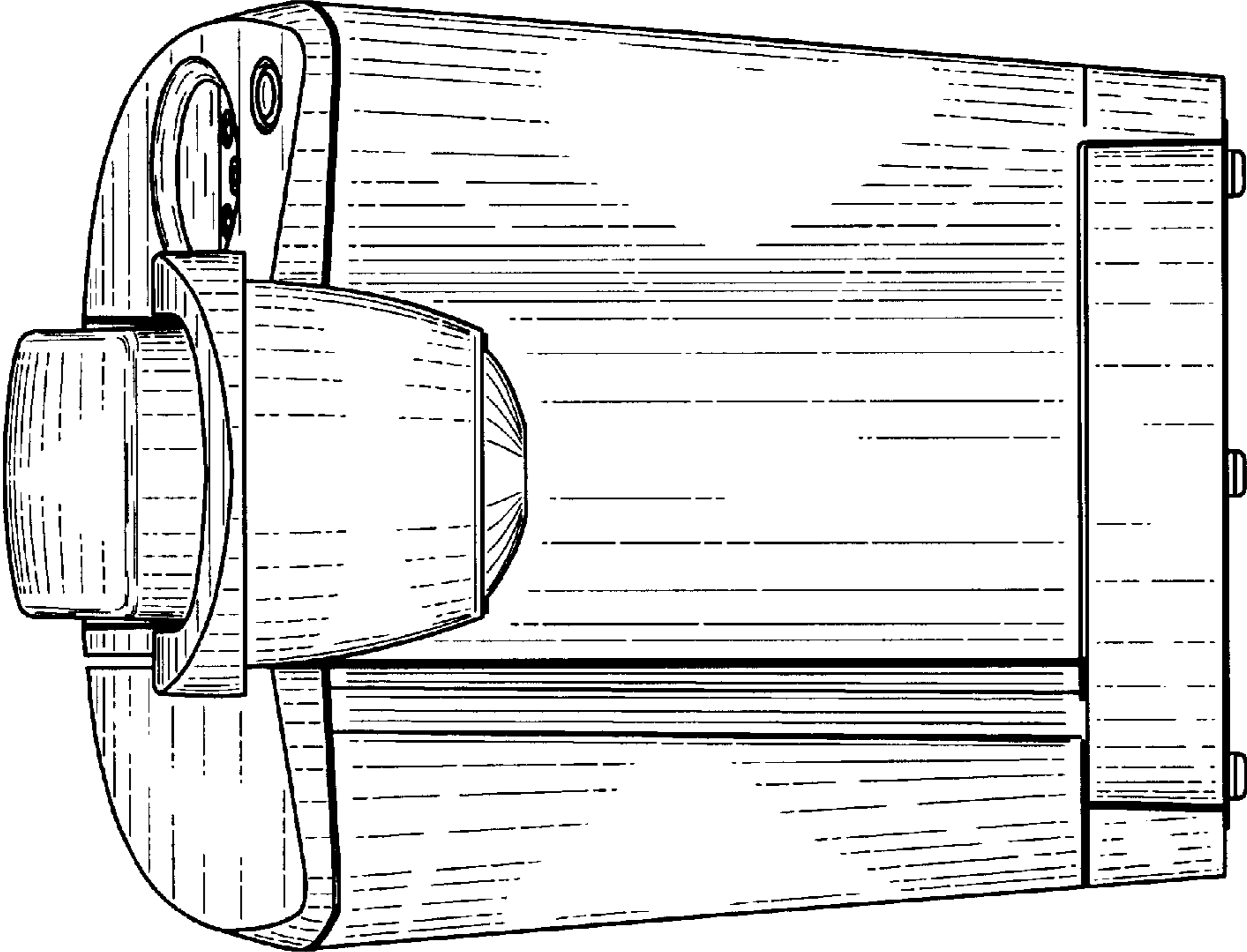


FIG. 2

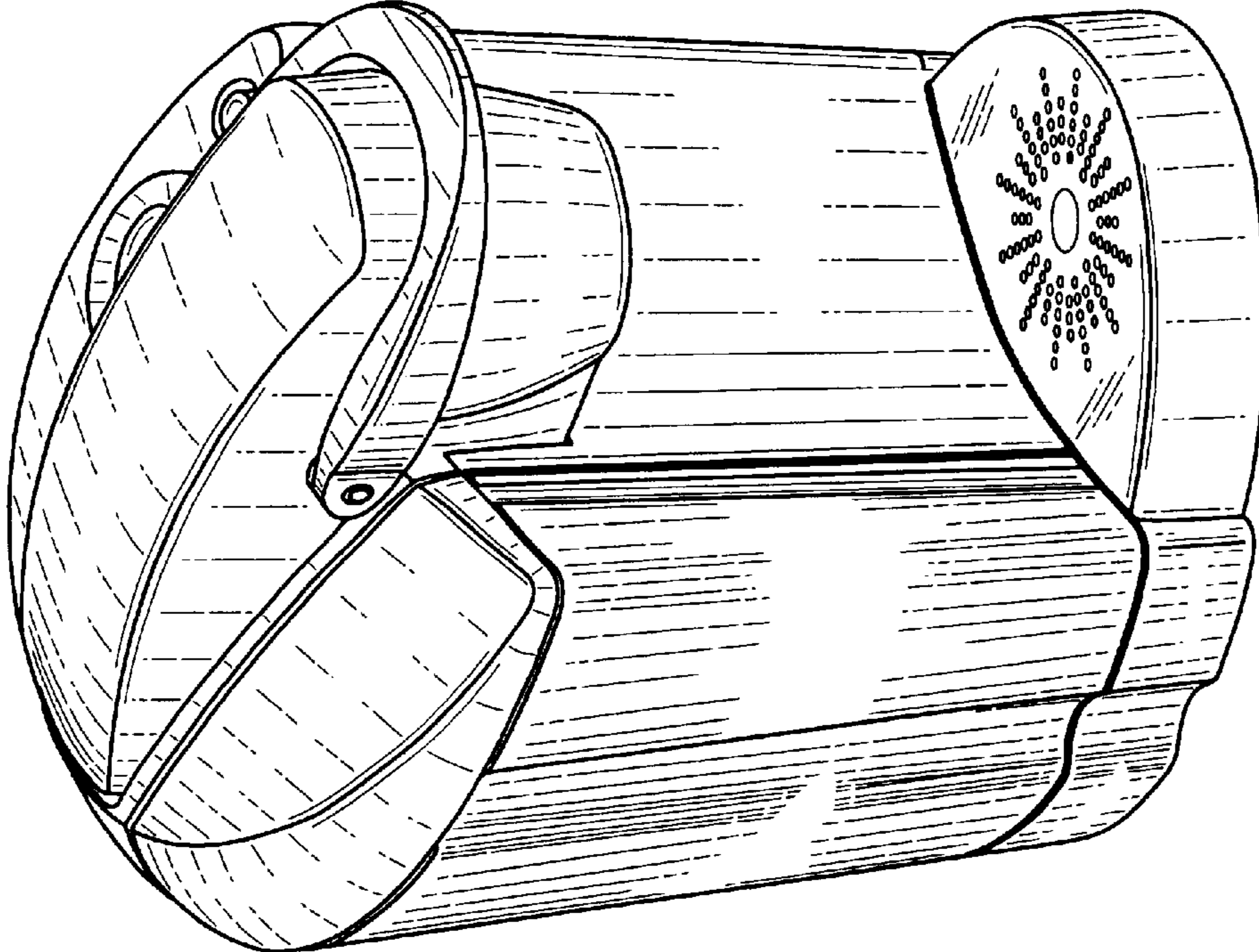


FIG. 1

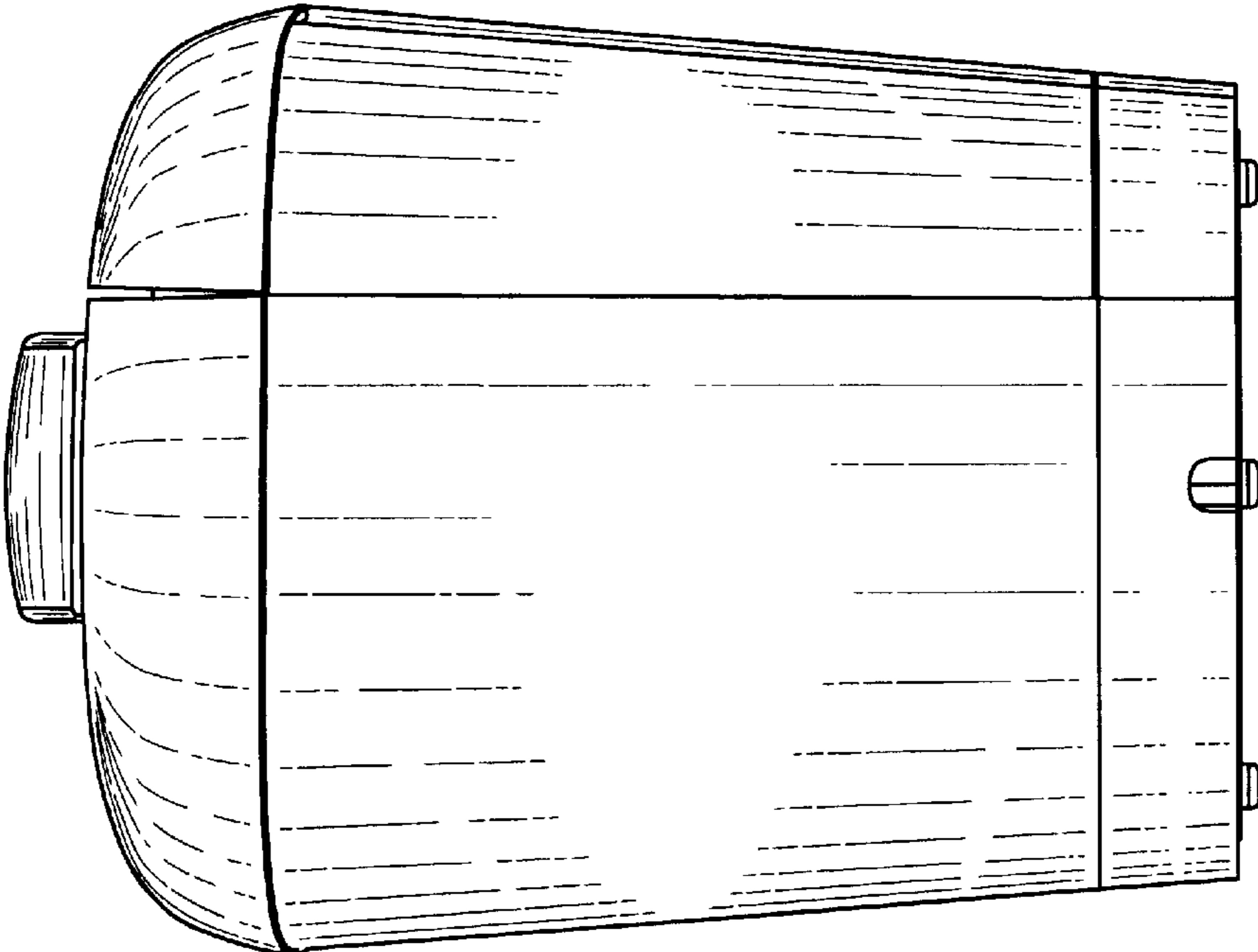


FIG. 4

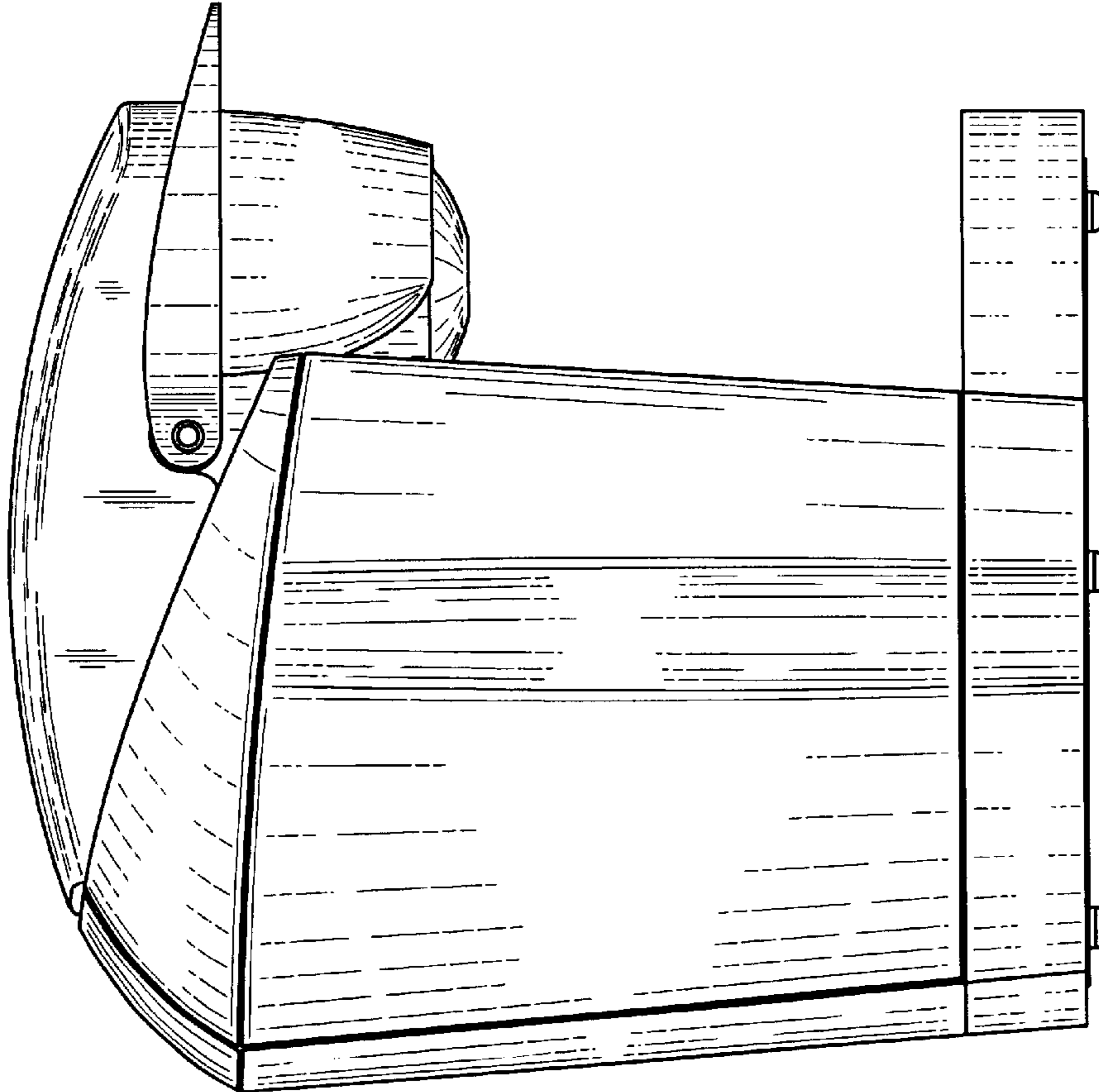


FIG. 3



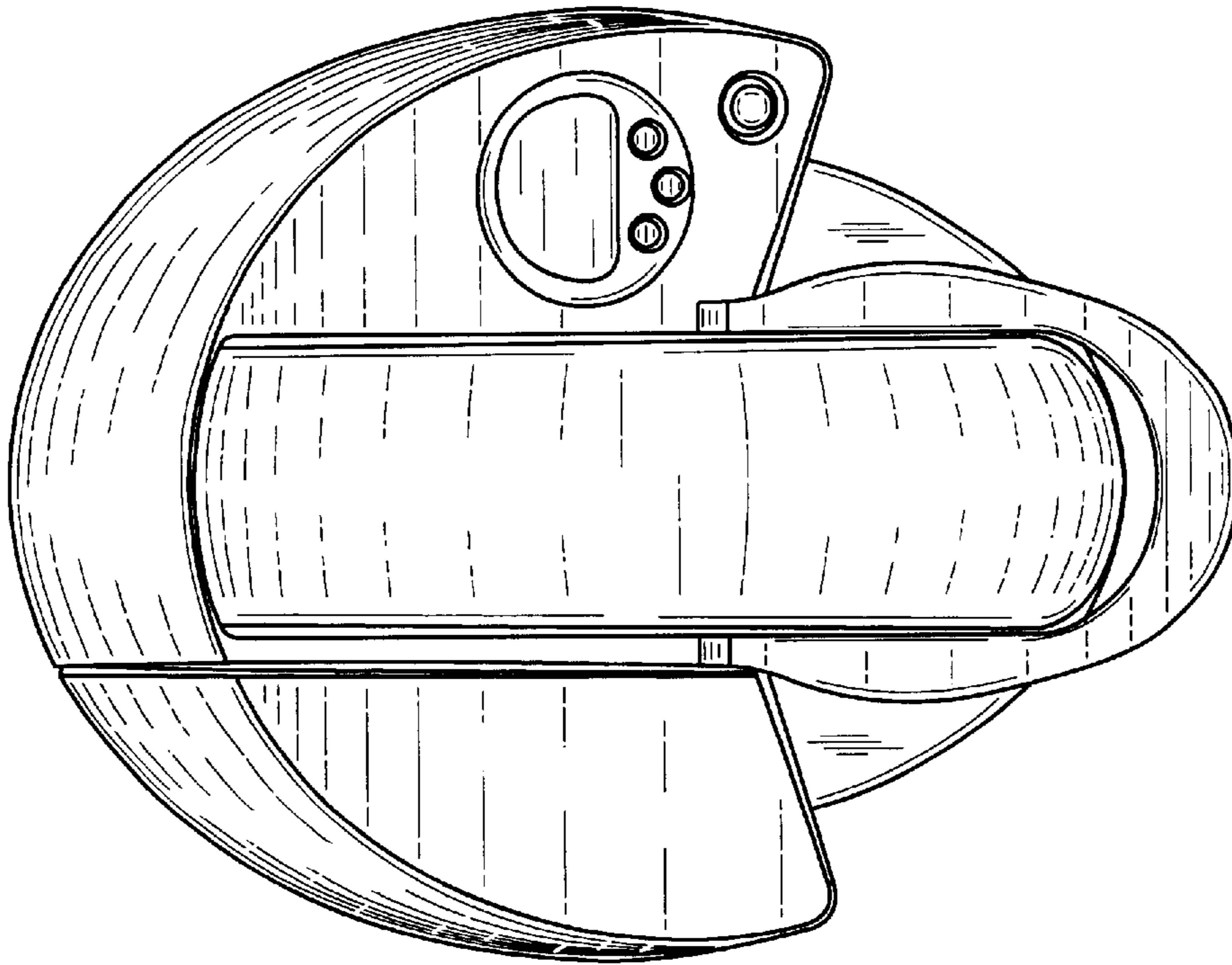


FIG. 6

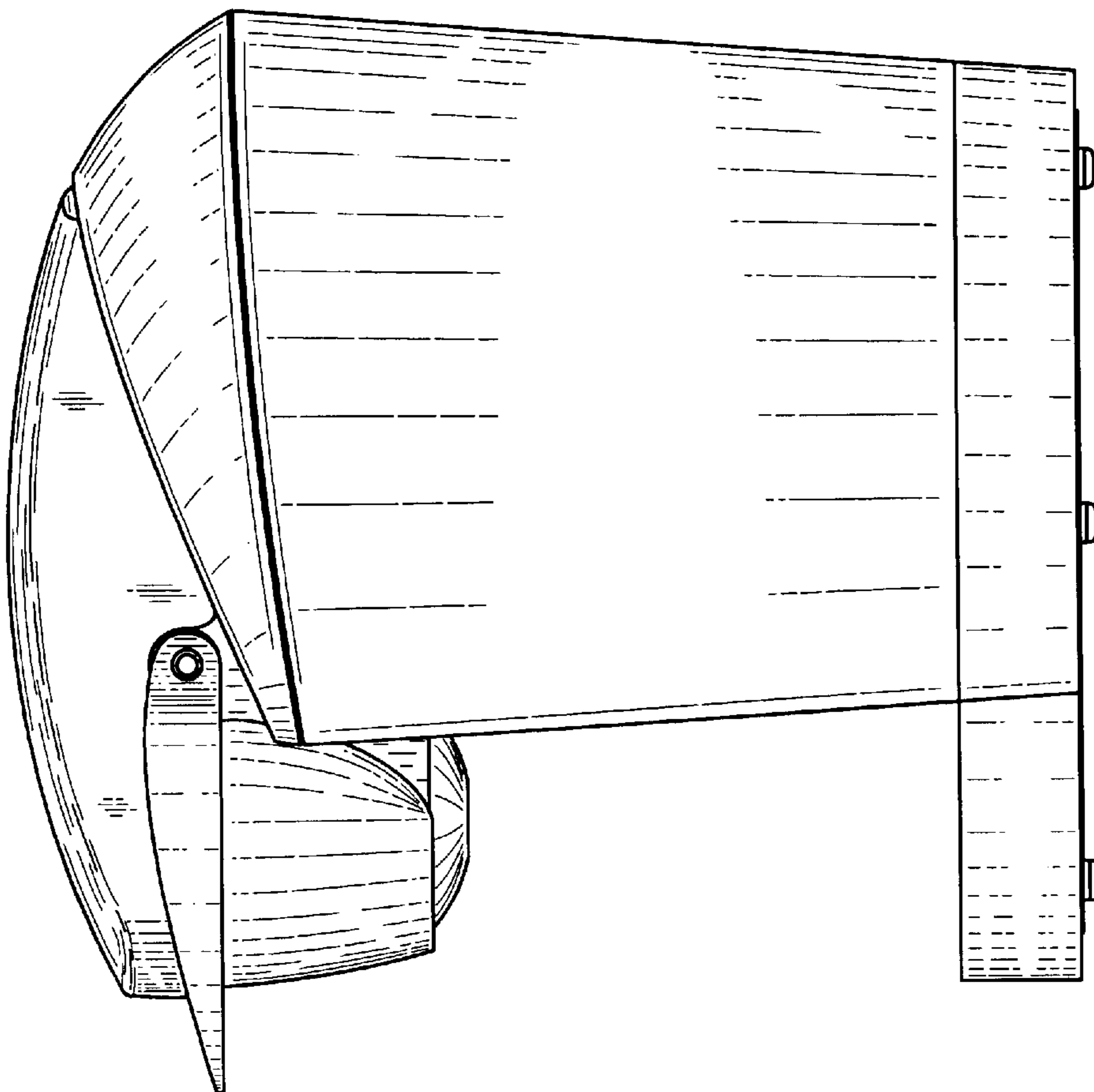


FIG. 5