



US00D513566S

(12) **United States Design Patent** (10) **Patent No.:** **US D513,566 S**
Green et al. (45) **Date of Patent:** **** Jan. 17, 2006**

(54) **SEAT**

(75) **Inventors:** **Chris Green**, San Francisco, CA (US);
Ana Maria Reza-Hadden, San Rafael, CA (US)

(73) **Assignee:** **Landscape Forms, Inc.**, Kalamazoo, MI (US)

(**) **Term:** **14 Years**

(21) **Appl. No.:** **29/215,992**

(22) **Filed:** **Oct. 28, 2004**

(51) **LOC (8) Cl.** **06-01**

(52) **U.S. Cl.** **D6/380; D6/500**

(58) **Field of Classification Search** D6/334,
D6/335, 366, 373, 374, 375, 376, 379, 380,
D6/500-502; 297/445.1, 446.1

See application file for complete search history.

(56) **References Cited**

U.S. PATENT DOCUMENTS

D178,095 S	*	6/1956	Keert	D6/380
D240,375 S	*	7/1976	Buhk	D6/366
D275,060 S	*	8/1984	Buhk	D6/380
D279,247 S	*	6/1985	Murry	D6/501
D466,319 S	*	12/2002	Lundstrom	D6/379
D486,316 S	*	2/2004	Lundstrom	D6/373
D486,975 S	*	2/2004	Lundstrom	D6/380

OTHER PUBLICATIONS

“Site Furnishings For A Lifetime”, 02870/THO, Sweet BuyLine 203, Thomas Steele, Middleton, WI, 2 pages.

“Signature Series”, Leisure Craft, Inc. Hendersonville, NC, 1 page.

“Plastisol Furniture Line”, 02870/KAY, Sweet BuyLine 3835, Kay Park Recreation Corp., Janesville, IA, 2 pages.

http://www.forms-surfaces.com/products/images/site/vista/VIS_01.jpg, 1 page.

“Carousel”, Landscapeforms, Kalamazoo, MI, 8 pages.

* cited by examiner

Primary Examiner—Mimosa De

(74) *Attorney, Agent, or Firm*—Heslin Rothenberg Farley & Mesiti P.C.

(57) **CLAIM**

The ornamental design for a seat, as shown and described.

DESCRIPTION

FIG. 1 is an isometric view of the seat of the present design;

FIG. 2 is a front elevation view thereof;

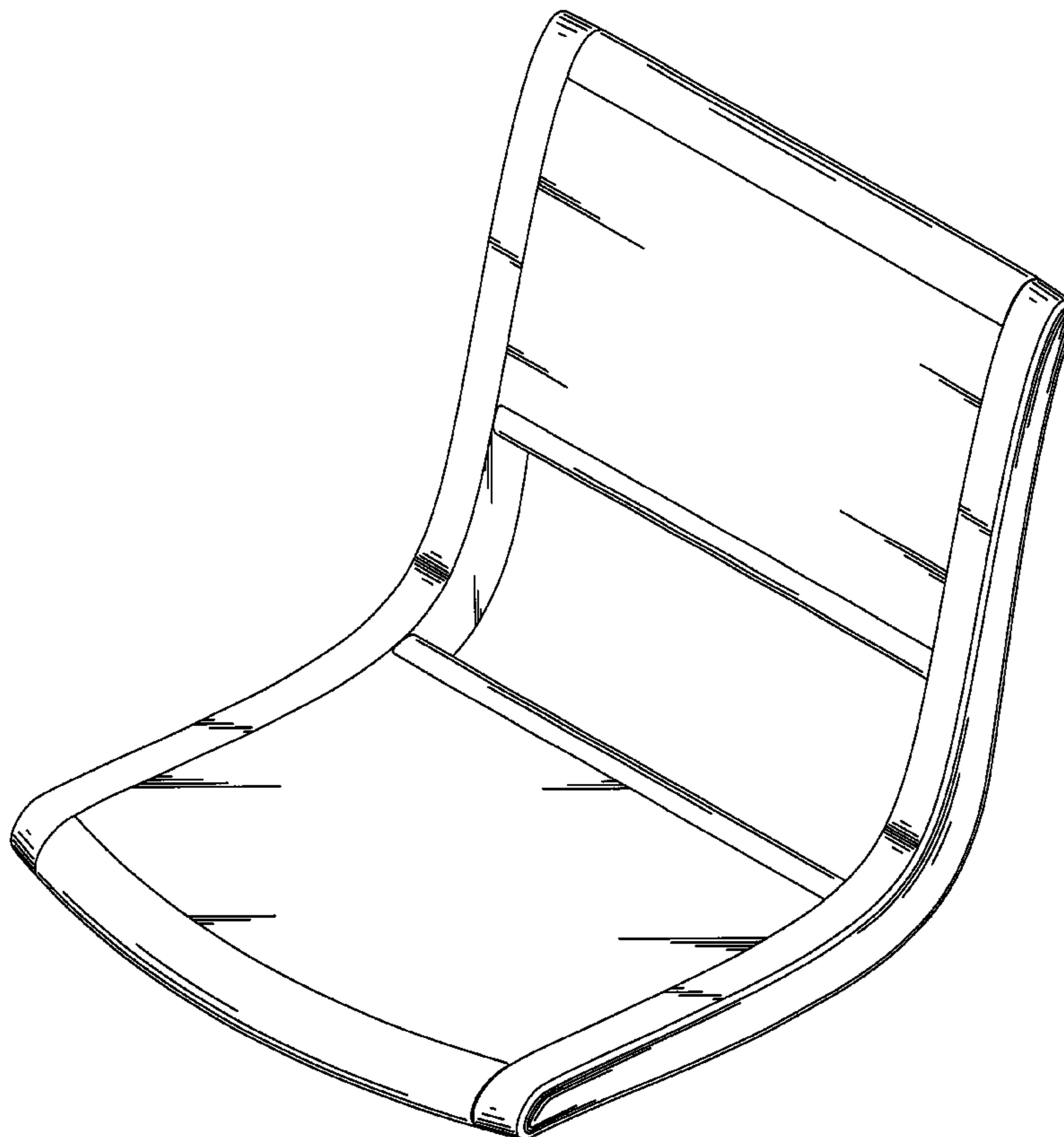
FIG. 3 is a right side elevation view thereof, the left side elevation view being a mirror image thereof;

FIG. 4 is a back elevation view thereof;

FIG. 5 is a top plan view thereof; and,

FIG. 6 is a bottom plan view thereof.

1 Claim, 6 Drawing Sheets



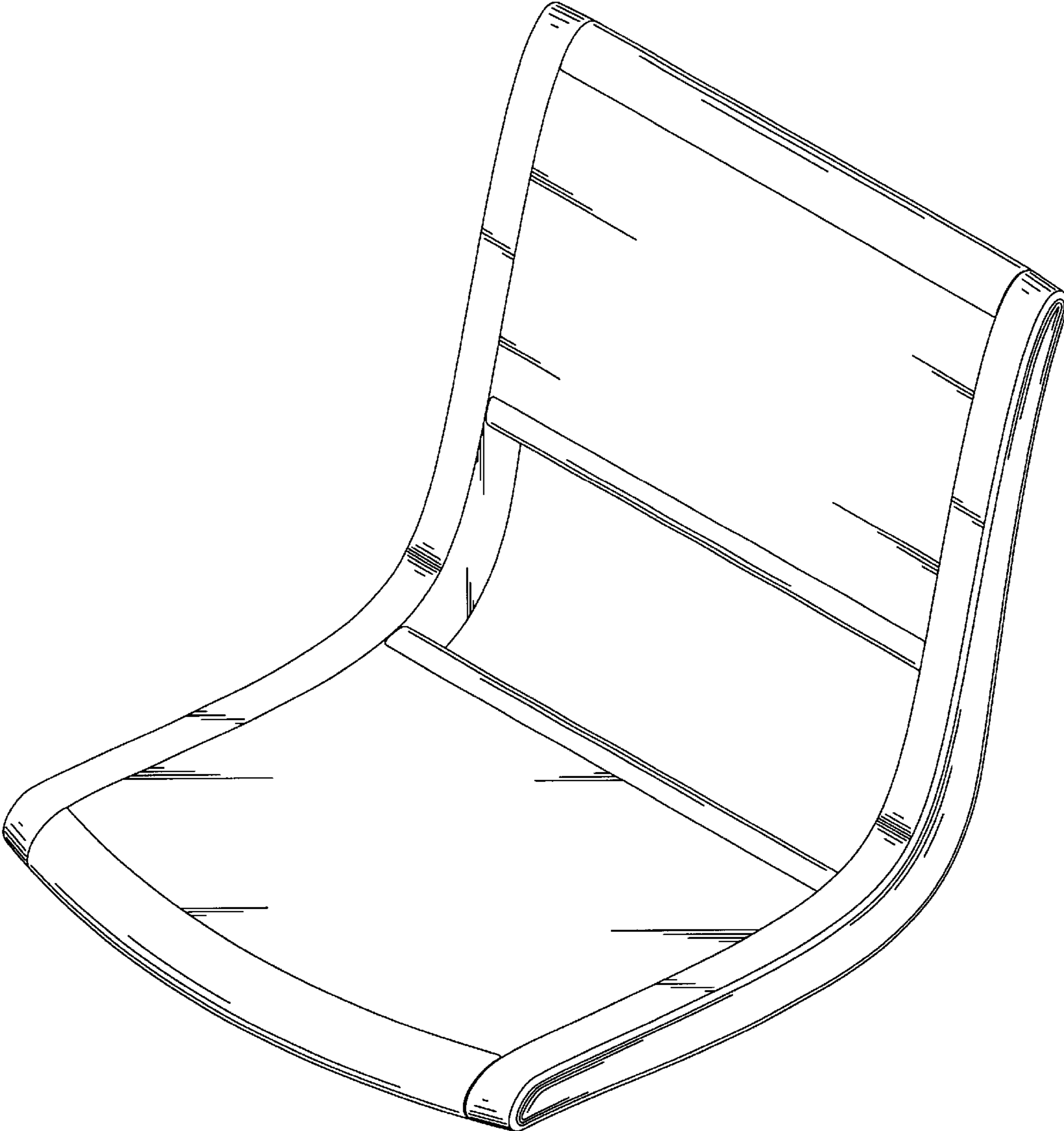


FIG. 1

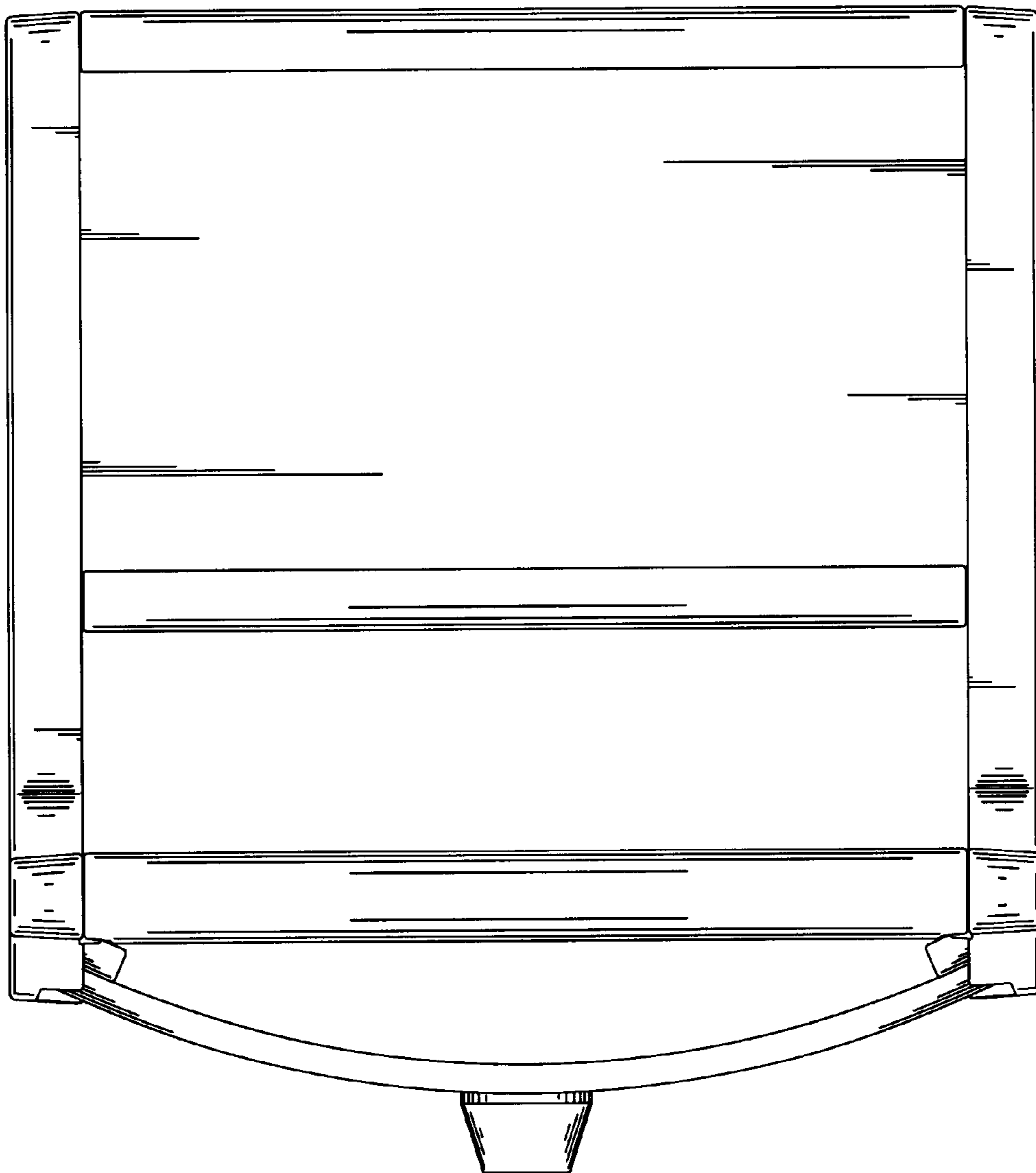


FIG. 2

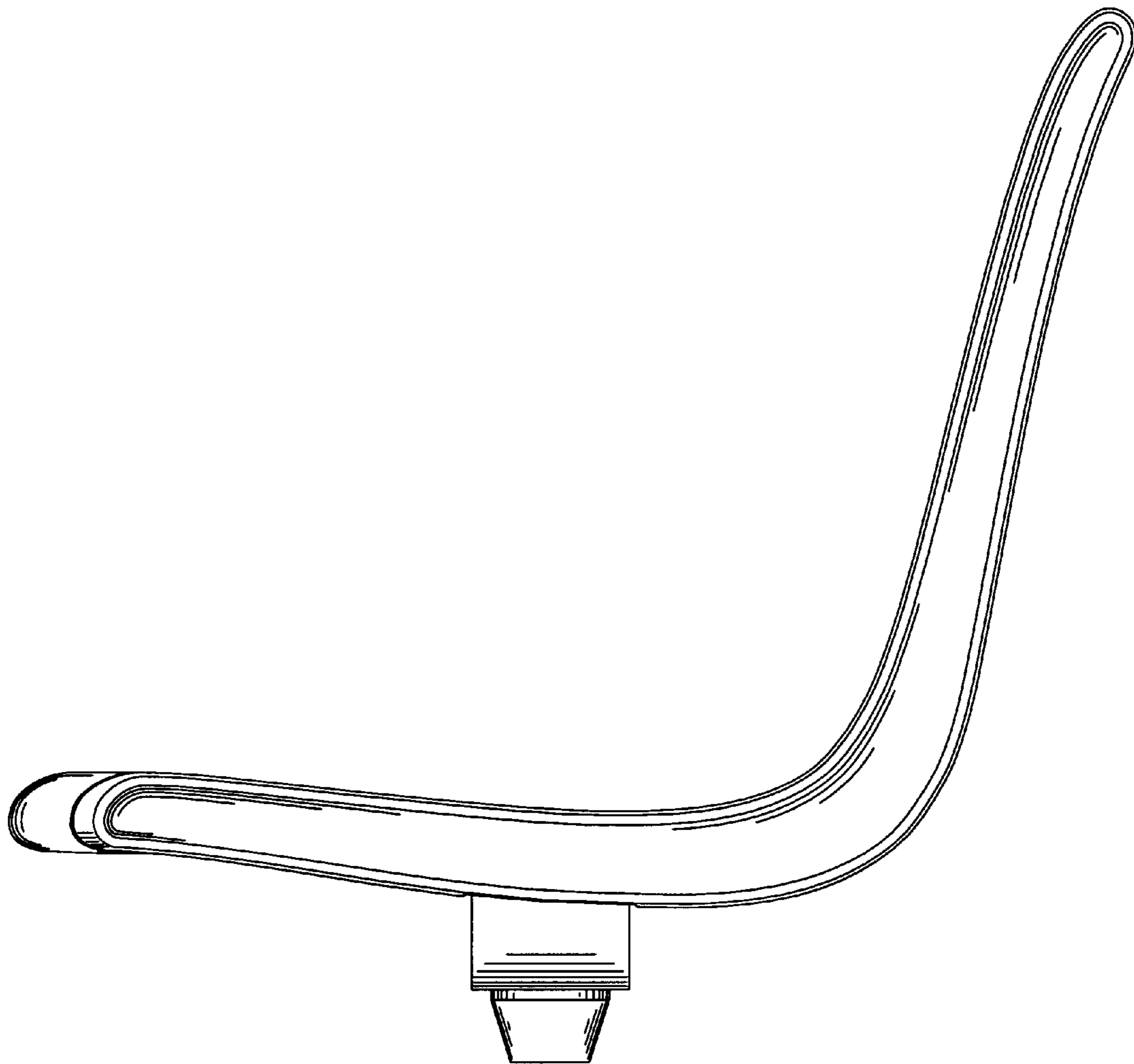


FIG. 3

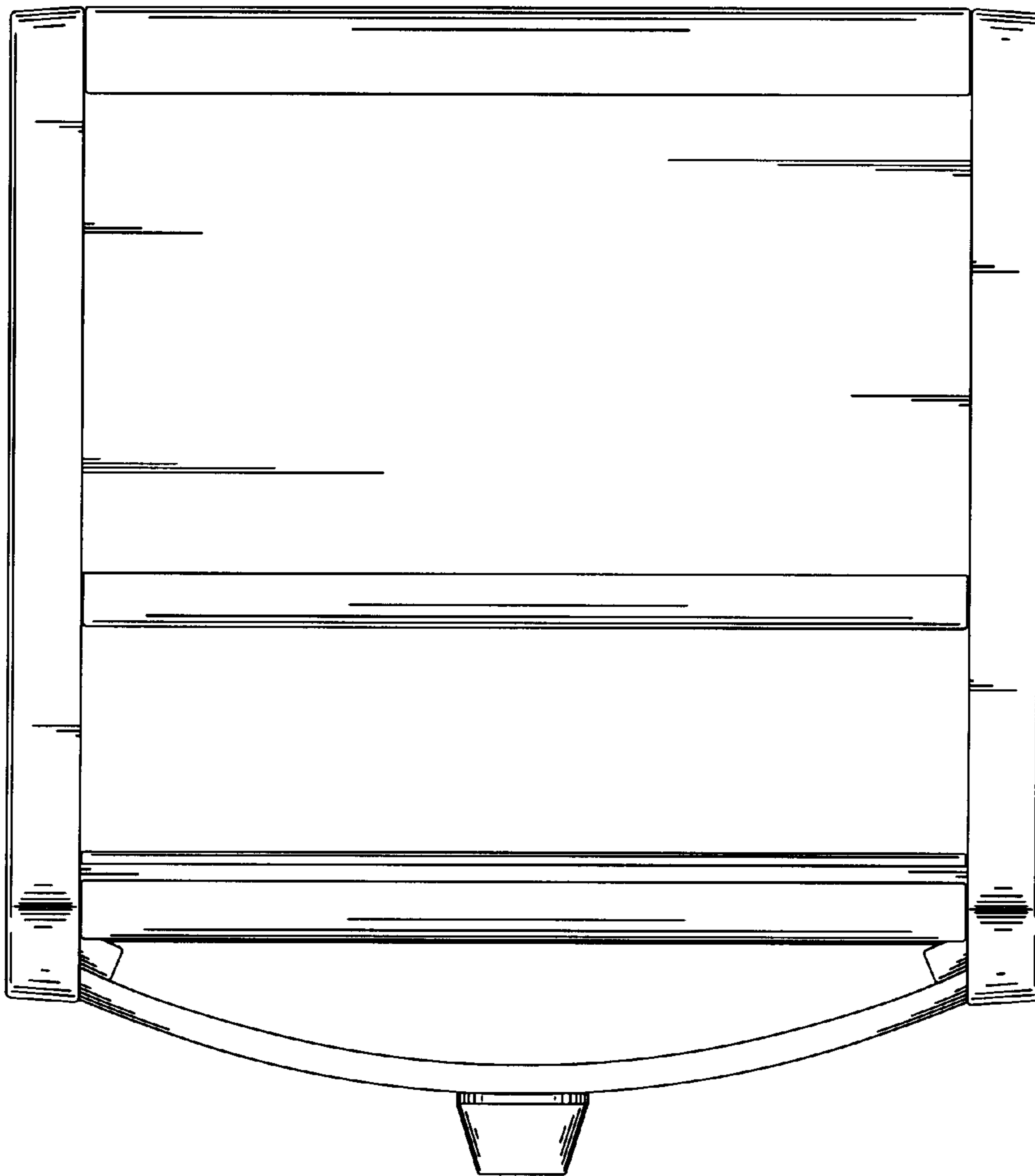


FIG. 4

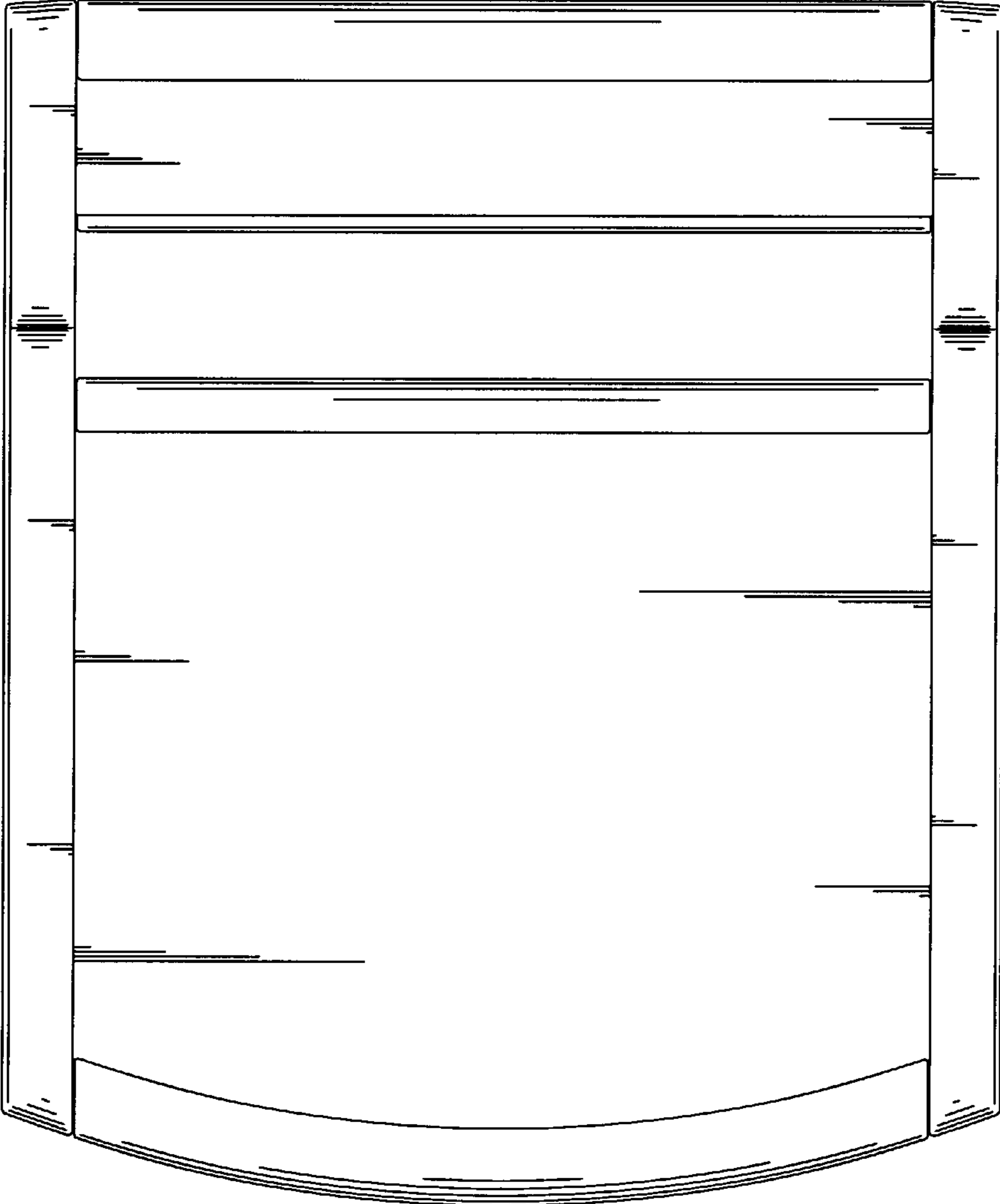


FIG. 5

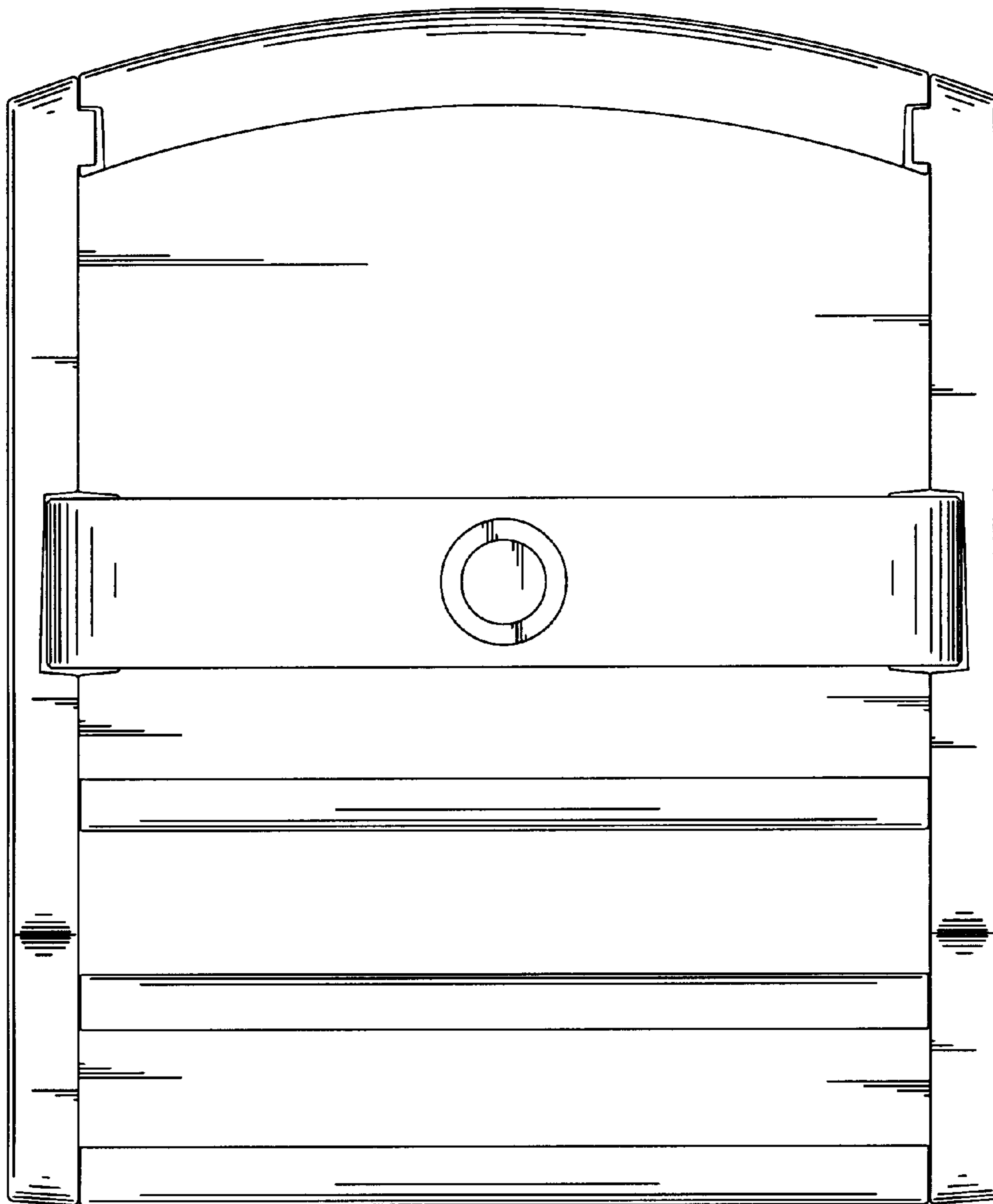


FIG. 6