



US00D513564S

(12) **United States Design Patent** (10) **Patent No.:** **US D513,564 S**
Nobles et al. (45) **Date of Patent:** **** Jan. 17, 2006**

(54) **SCREEN FURNITURE SYSTEM**

(75) Inventors: **Joe A. Nobles**, San Francisco, CA (US); **Todd J. Sorel**, Hayward, CA (US); **Otto N. Williams**, San Francisco, CA (US); **Jess A. Sorel**, Oakland, CA (US)

(73) Assignee: **Steelcase Development Corporation**, Caledonia, MI (US)

(**) Term: **14 Years**

(21) Appl. No.: **29/195,379**

(22) Filed: **Dec. 10, 2003**

(51) **LOC (8) Cl.** **06-06**

(52) **U.S. Cl.** **D6/332**

(58) **Field of Classification Search** D6/332, D6/313, 417, 491, 486, 454, 468; D20/41; D99/43; 108/59, 91, 92, 181; 211/78, 205

See application file for complete search history.

(56) **References Cited**

U.S. PATENT DOCUMENTS

3,326,147	A	6/1967	Toney	
D225,871	S	* 1/1973	Crannell	D6/421
D230,680	S	* 3/1974	Petersen	D6/421
3,848,921	A	11/1974	Rhodes	
D257,705	S	* 12/1980	Framer	D6/421
D257,812	S	* 1/1981	Cyplik	D6/332
D302,362	S	* 7/1989	Armstrong	D6/421
5,348,368	A	9/1994	Garcia et al.	
D371,247	S	* 7/1996	Spielvogel	D6/332
D376,821	S	* 12/1996	Hathaway	D20/41
D394,963	S	* 6/1998	Gongora et al.	D6/396
5,890,782	A	4/1999	Alberts	
D409,419	S	* 5/1999	Wilkinson	D6/486
D411,753	S	* 6/1999	Jobin	D99/43

D412,625	S	* 8/1999	Montague, III et al.	D6/421
D415,901	S	* 11/1999	Arko et al.	D6/332
D422,429	S	* 4/2000	Belka et al.	D6/421
D423,828	S	* 5/2000	Wilkinson	D6/491
D427,783	S	* 7/2000	Luedke	D6/332
6,209,956	B1	4/2001	Dryburgh et al.	
6,213,191	B1	4/2001	Nitzsche	
D450,465	S	* 11/2001	Overthun et al.	D6/332
D458,463	S	* 6/2002	Citterio	D6/332
D460,274	S	* 7/2002	Bennie et al.	D6/313
D481,886	S	* 11/2003	Fahnstrom et al.	D6/421
D492,503	S	* 7/2004	Gower	D6/421
D497,486	S	* 10/2004	Quiel	D6/332
D500,612	S	* 1/2005	Allen et al.	D6/417
2002/0017810	A1	2/2002	Dryburgh et al.	
2002/0040668	A1	4/2002	Chan et al.	

* cited by examiner

Primary Examiner—Ruth McInroy

Assistant Examiner—Terrence Huang

(74) *Attorney, Agent, or Firm*—Price, Heneveld, Cooper, DeWitt & Litton, LLP

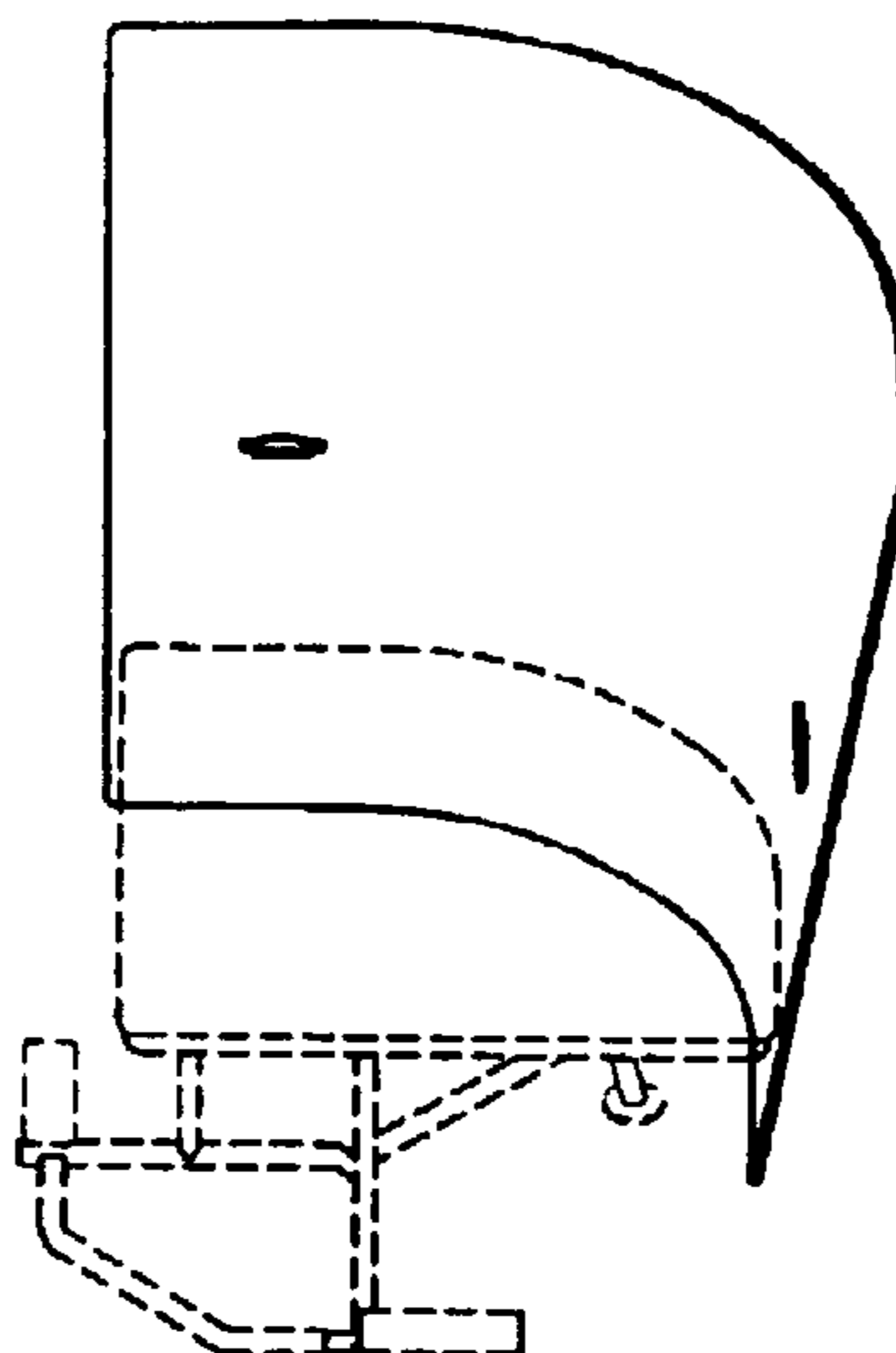
(57) **CLAIM**

We claim the ornamental design for a screen furniture system, as shown and described.

DESCRIPTION

FIG. 1 is a front perspective view of a screen furniture system embodying the present invention;
 FIG. 2 is a front view of FIG. 1, taken in a direction perpendicular to a center front surface of the screen;
 FIG. 3 is a top view of FIG. 1;
 FIG. 4 is a rear view of FIG. 2; and,
 FIG. 5 is a side view of FIG. 1.
 The dashed lines in FIGS. 1–5 show the environment and do not form a part of the design sought to be patented.

1 Claim, 1 Drawing Sheet



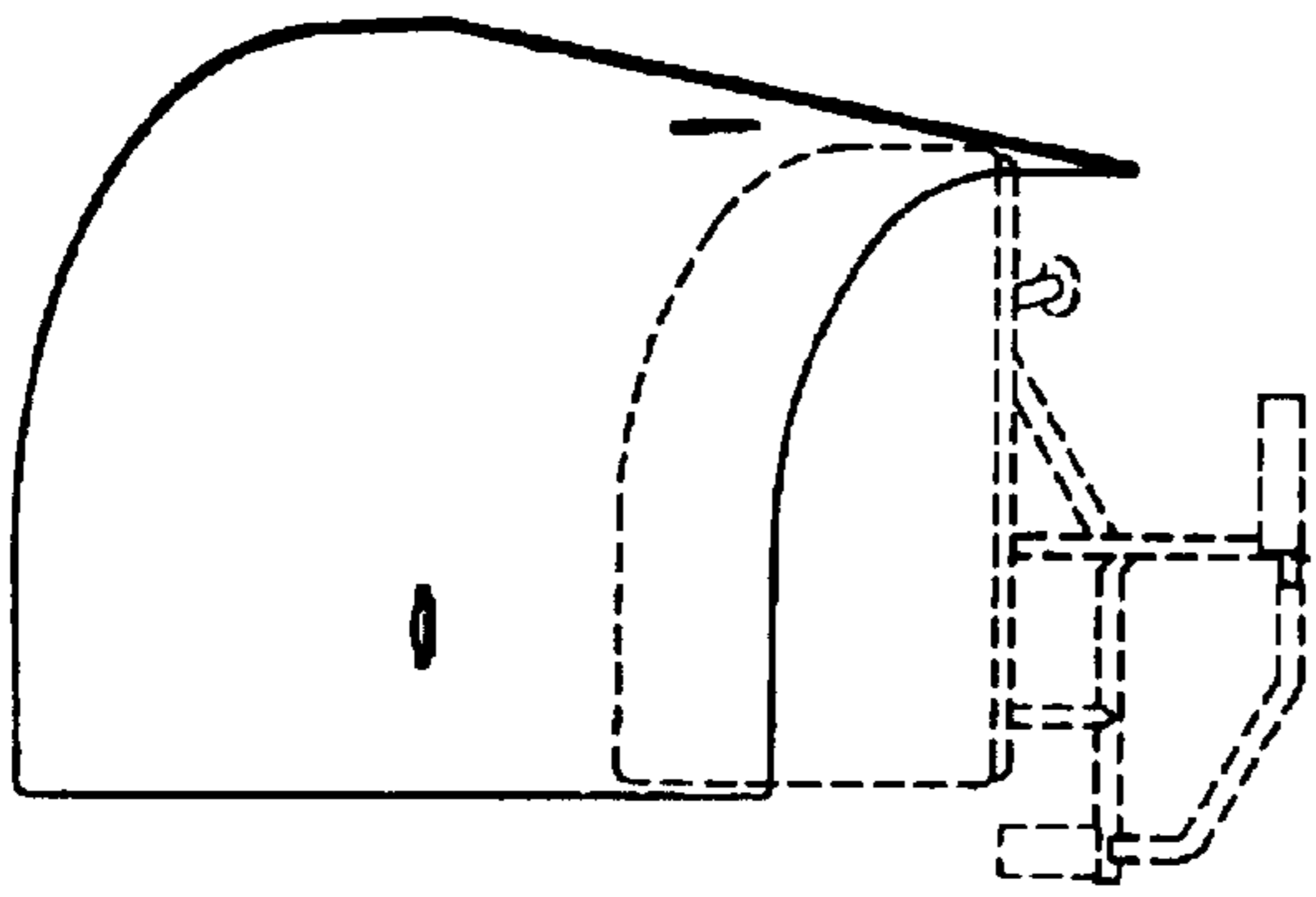


FIG. 1

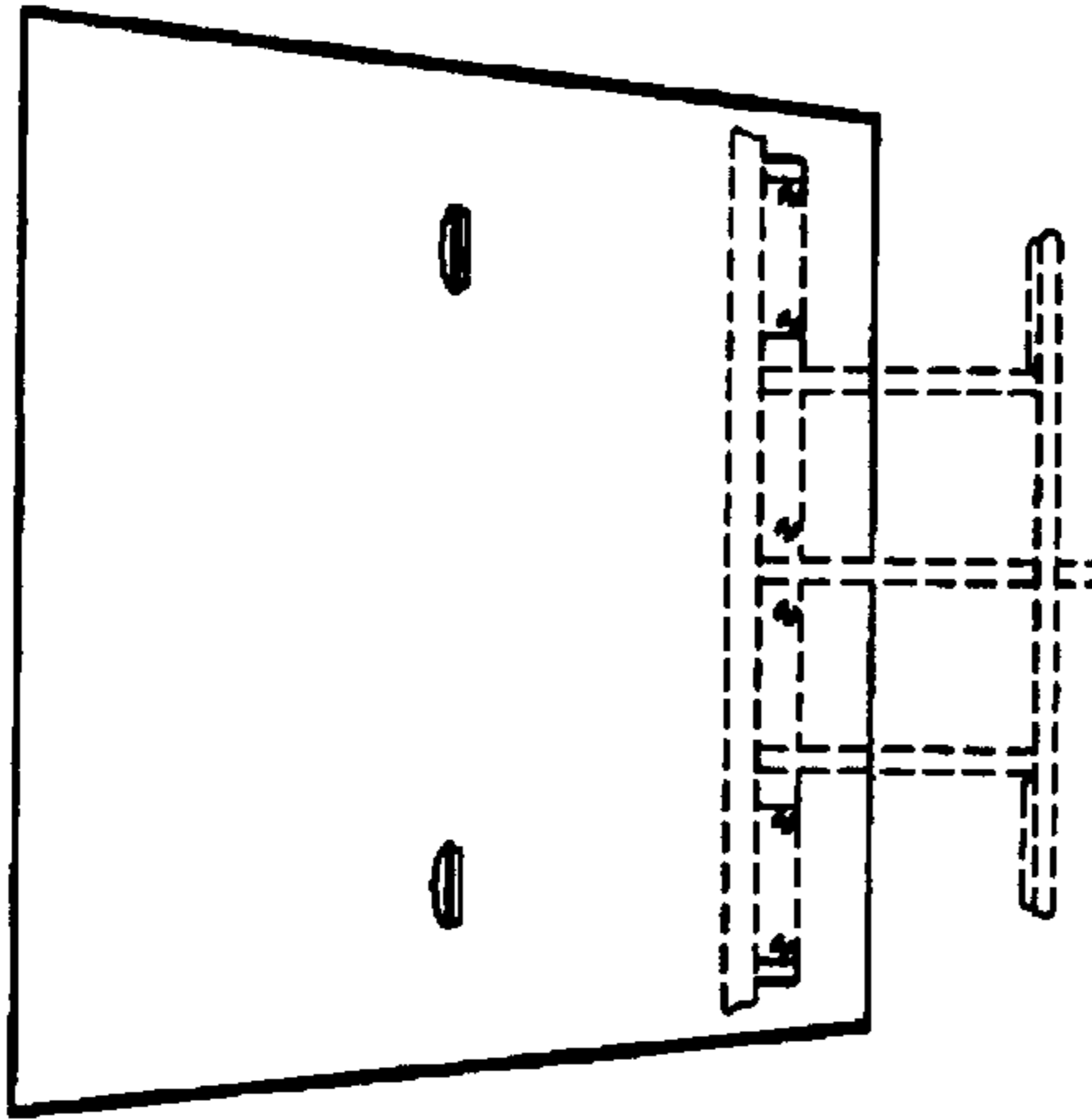


FIG. 2

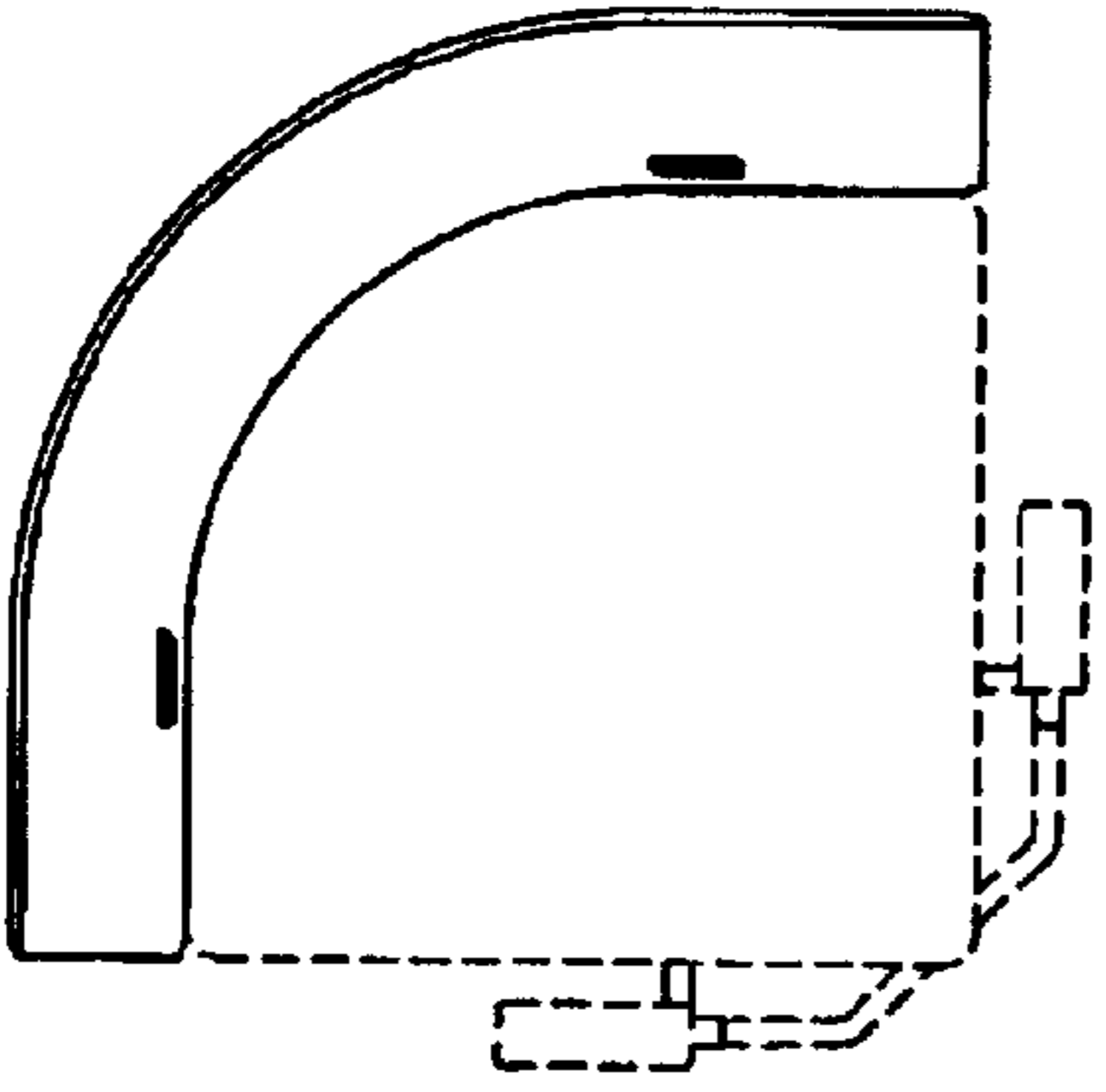


FIG. 3

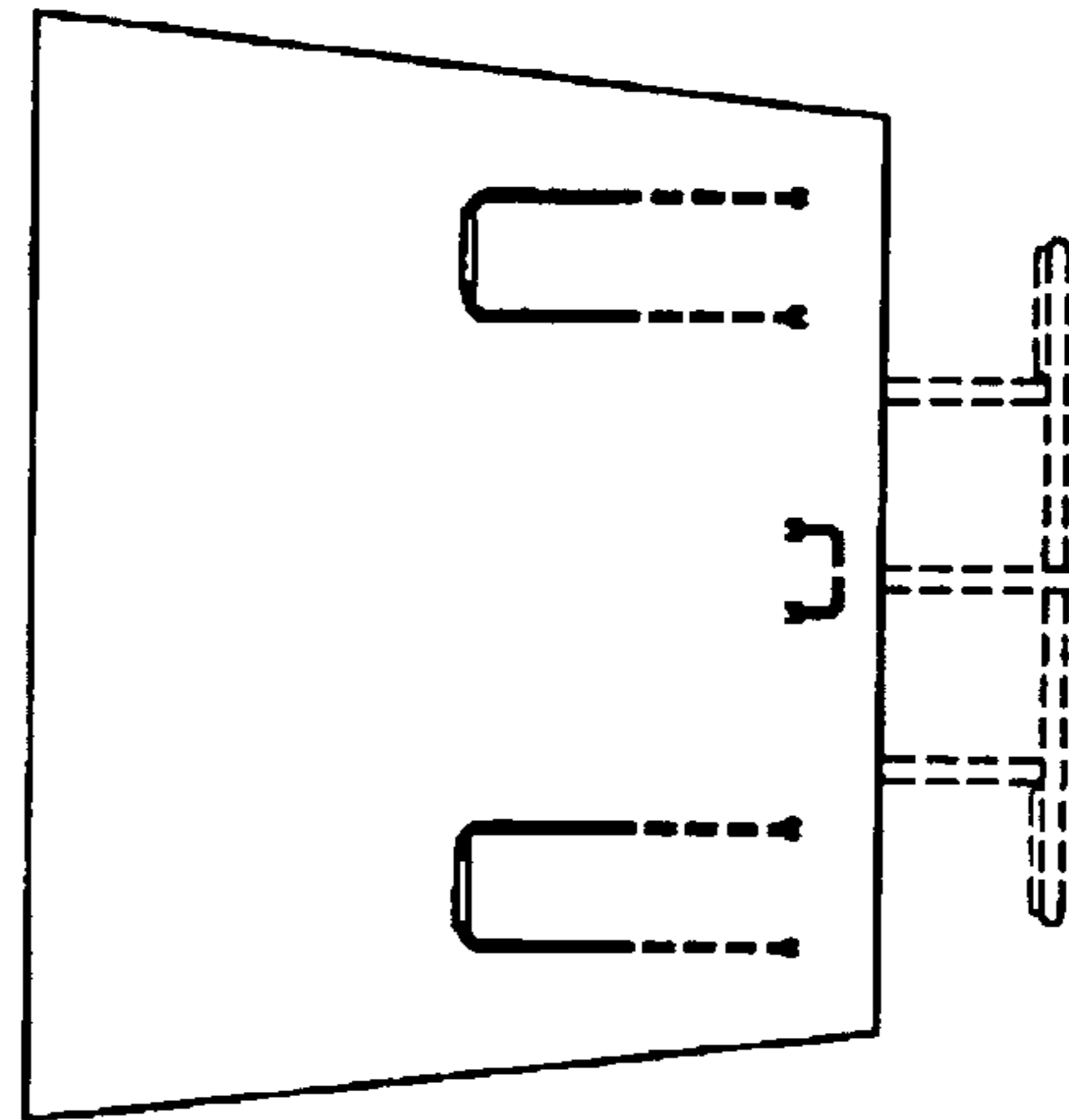


FIG. 4

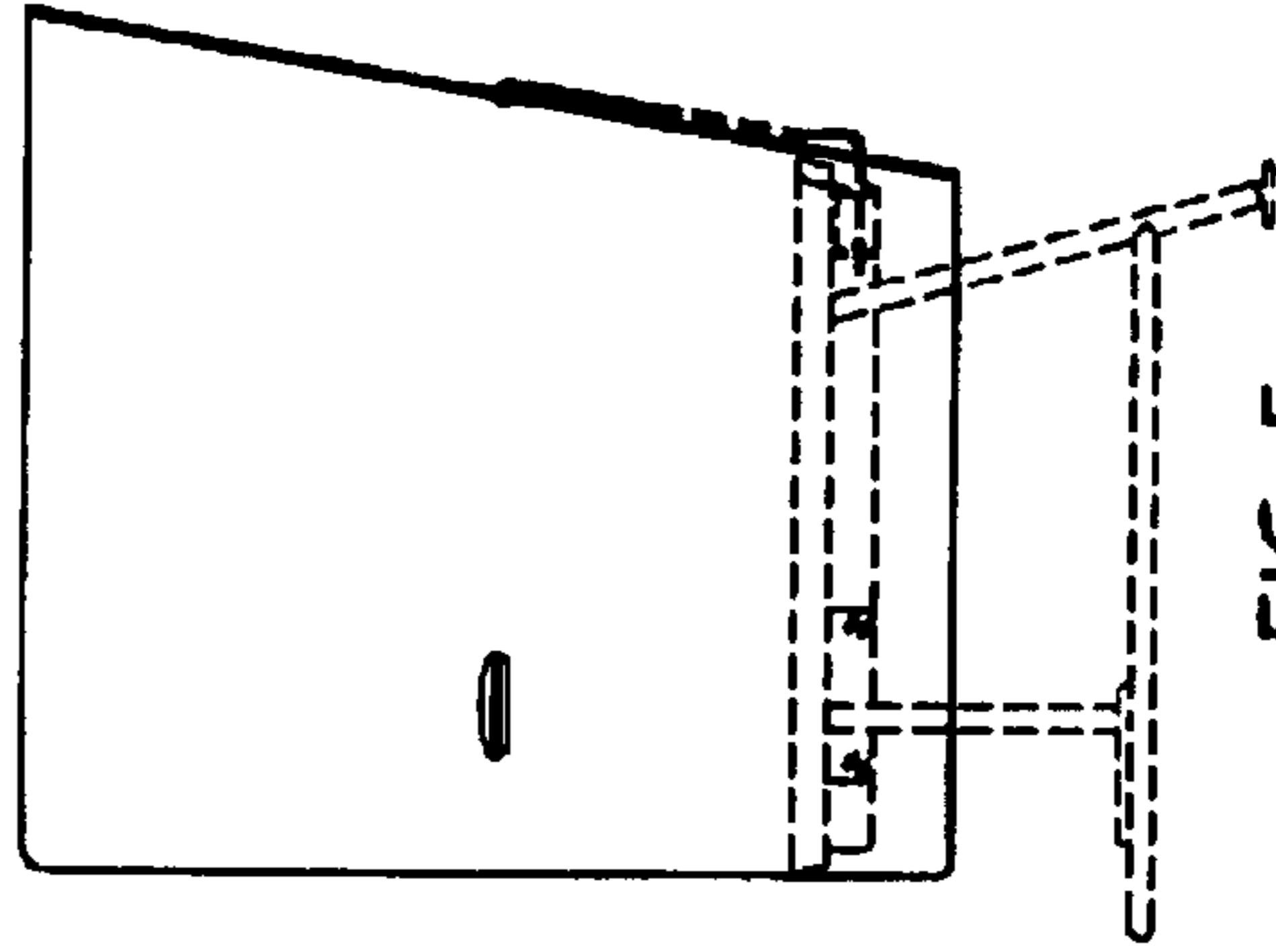


FIG. 5