



US00D513563S

(12) **United States Design Patent**
Shaw

(10) **Patent No.:** **US D513,563 S**
(45) **Date of Patent:** **** Jan. 17, 2006**

(54) **CLOTHES CADDY**

(76) **Inventor:** **Tracy C. Shaw**, 8040 Grosse Pointe
La., Charlotte, NC (US) 28227

(**) **Term:** **14 Years**

(21) **Appl. No.:** **29/226,490**

(22) **Filed:** **Mar. 29, 2005**

(51) **LOC (8) Cl.** **06-08**

(52) **U.S. Cl.** **D6/316**

(58) **Field of Classification Search** D6/303,
D6/305, 315, 316, 323, 328, 412; 223/85-98;
211/1, 33, 85.3; D3/270, 271.1, 271.3, 293;
33/81; D9/614; 248/648, 174; D20/31.1;
446/98; 108/180; 518/702

See application file for complete search history.

(56) **References Cited**

U.S. PATENT DOCUMENTS

D49,328 S * 7/1916 De Santis D6/305
1,947,746 A * 2/1934 Thomson 108/180
2,557,842 A * 6/1951 Ruthruff 518/702
3,126,237 A * 3/1964 Kirk D6/412

3,205,614 A * 9/1965 Brosk D6/316
3,915,305 A * 10/1975 Guida 211/1
4,739,911 A * 4/1988 Quinn 223/85
D382,019 S * 8/1997 King et al. D20/31
D414,815 S * 10/1999 McDonald D20/31

* cited by examiner

Primary Examiner—Nanda Bondade

Assistant Examiner—Shanda C. Hill

(74) *Attorney, Agent, or Firm*—Schwartz Law Firm P.C.

(57) **CLAIM**

I claim the ornamental design for a clothes caddy, as shown and described.

DESCRIPTION

FIG. 1 is a perspective view of a clothes caddy showing my new design;

FIG. 2 is a front elevational view thereof;

FIG. 3 is a rear elevational view thereof;

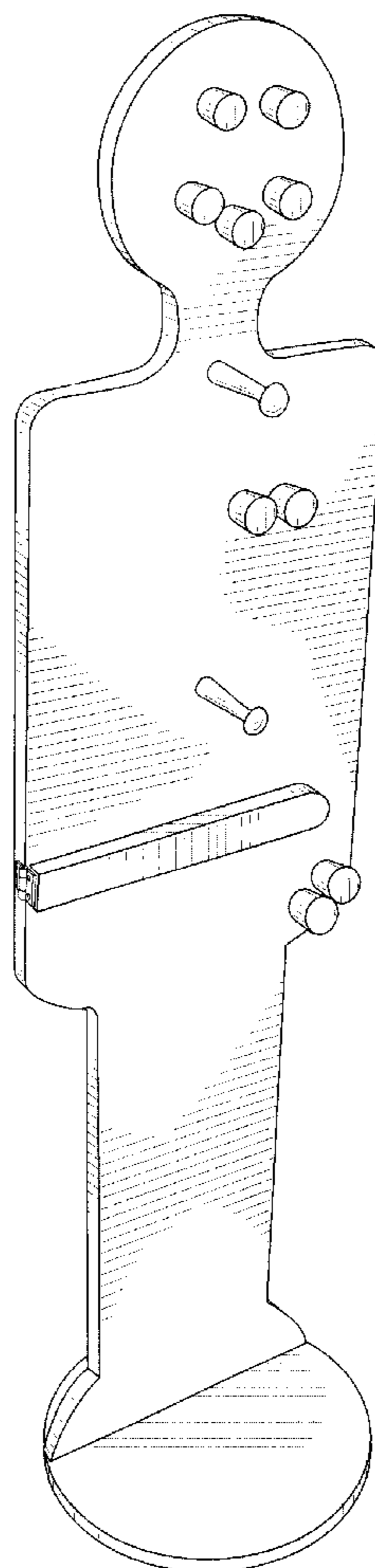
FIG. 4 is a right side elevational view thereof;

FIG. 5 is a left side elevational view thereof;

FIG. 6 is a top plan view thereof; and,

FIG. 7 is a bottom plan view thereof.

1 Claim, 4 Drawing Sheets



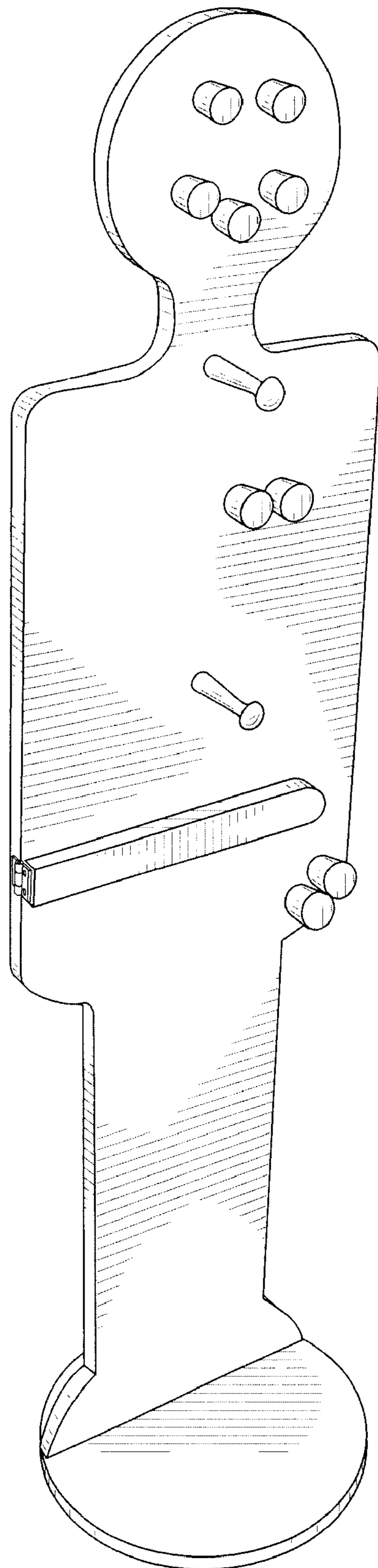


FIG. 1

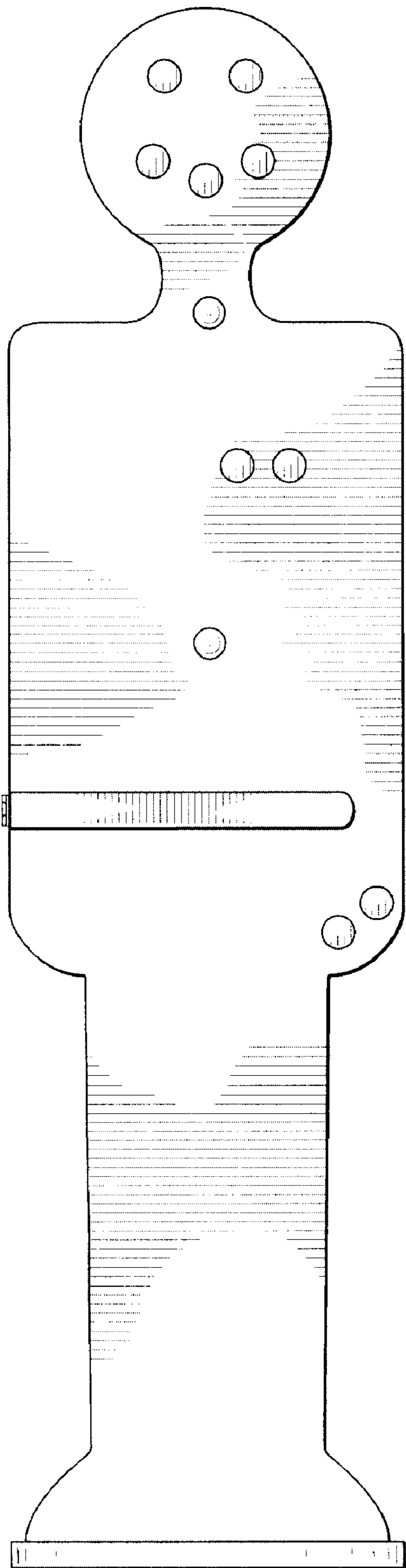


FIG. 2

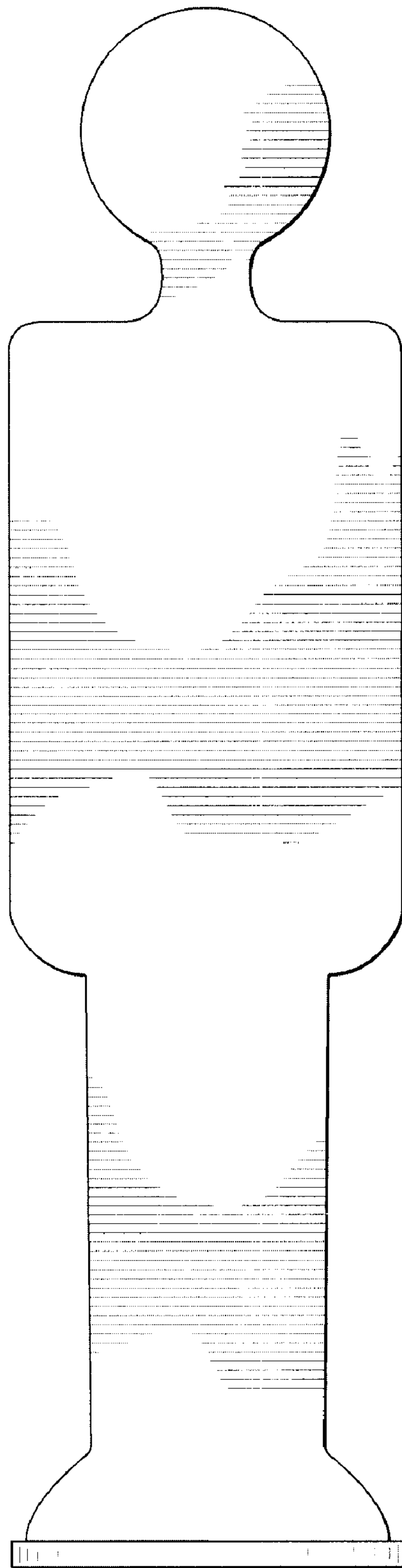


FIG. 3

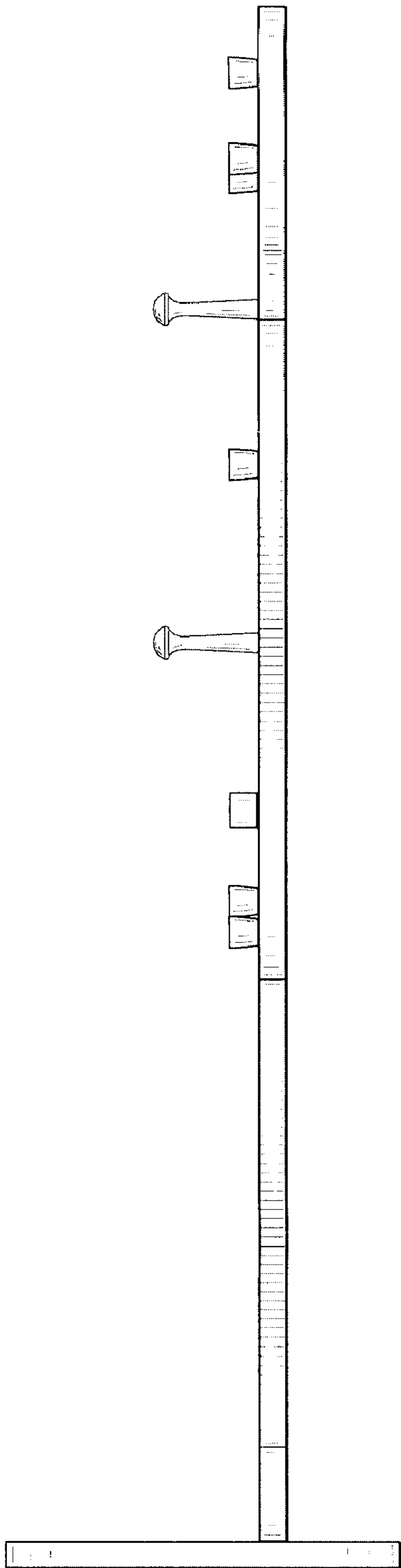


FIG. 4

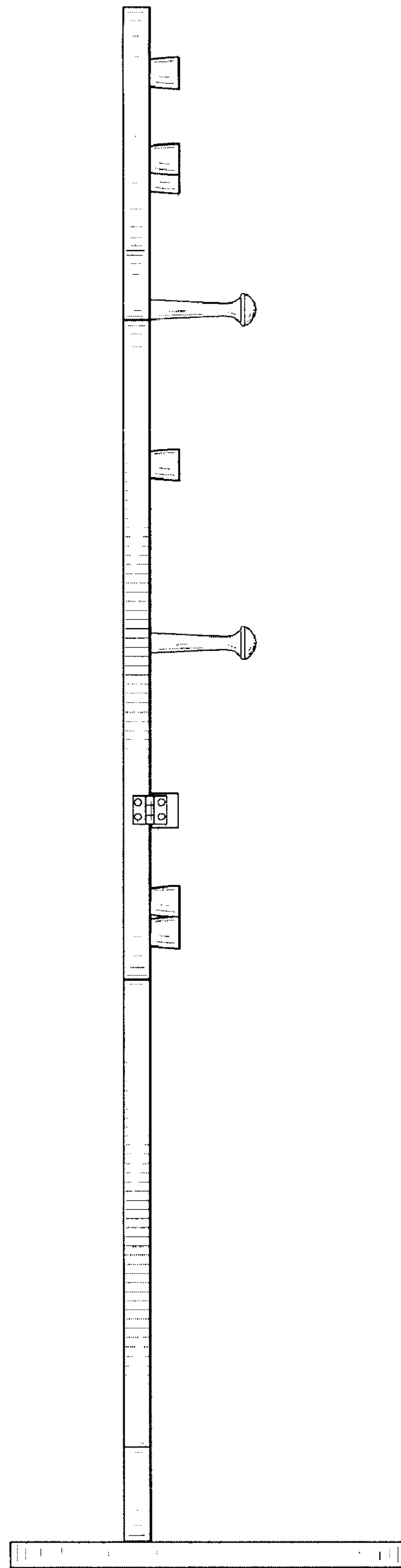


FIG. 5

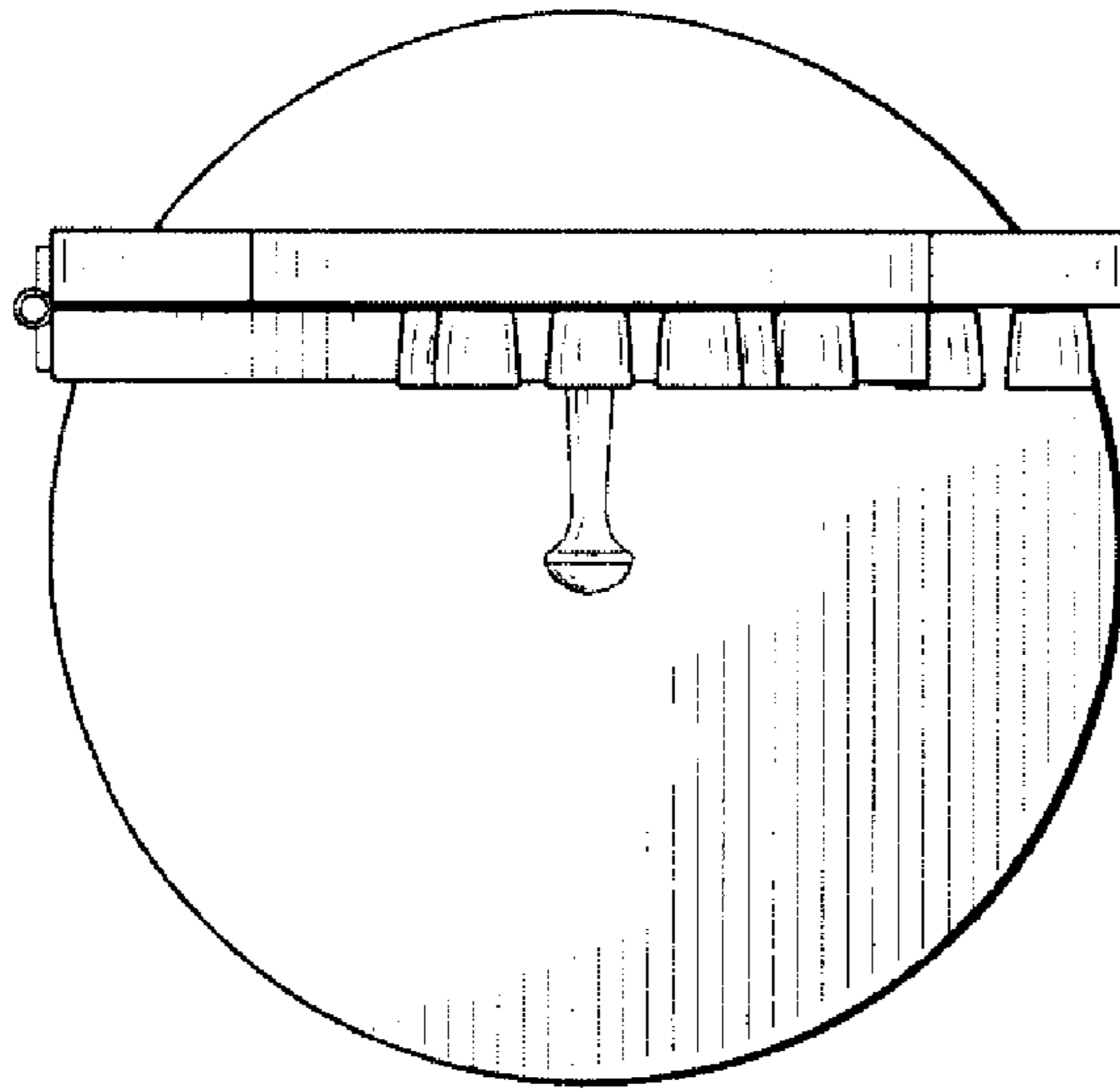


FIG. 6

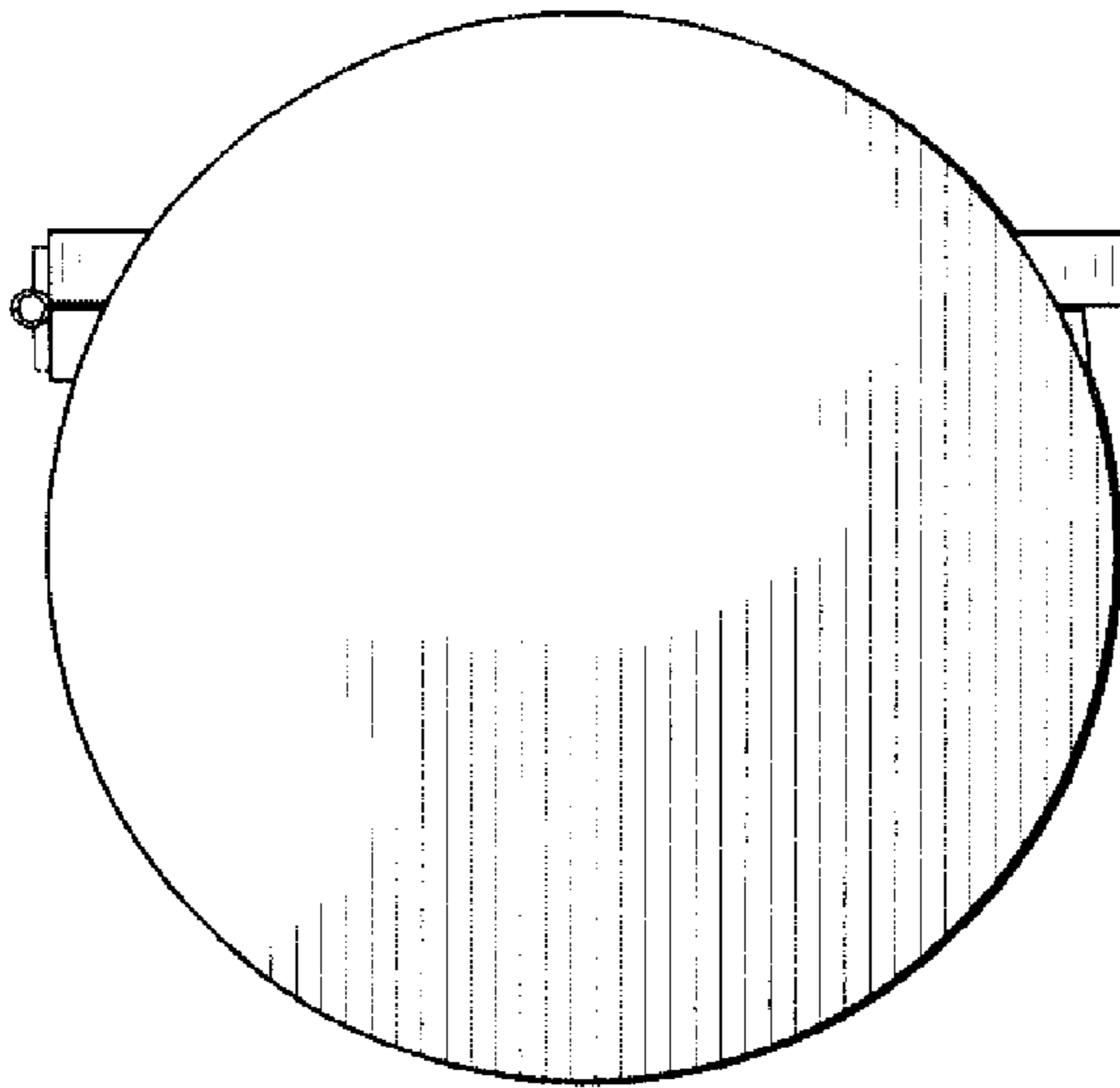


FIG. 7